



US00D771786S

(12) **United States Design Patent** (10) **Patent No.:** **US D771,786 S**
Canipe et al. (45) **Date of Patent:** **** Nov. 15, 2016**

(54) **MOBILE COOLING DEVICE** D253,908 S * 1/1980 Holder, Jr. D23/370
4,223,836 A 9/1980 Eager
(71) Applicant: **Breezer Holdings, LLC**, Deefield Beach, FL (US) 4,593,854 A 6/1986 Albertsson
4,597,524 A 7/1986 Albertsson
(Continued)

(72) Inventors: **Larry Canipe**, Boca Raton, FL (US);
Stanley Thompson, New Boston, NH (US); **Thomas Swyst**, Arlington, MA (US)

FOREIGN PATENT DOCUMENTS

DE 202006020126 U1 12/2007
WO 9835104 A1 8/1998

(73) Assignee: **Breezer Holdings, LLC**, Deerfield Beach, FL (US)

(Continued)

(**) Term: **14 Years**

OTHER PUBLICATIONS

(21) Appl. No.: **29/523,199**

Breezer Holdings Mobile Misting Fan . mobilemistinglv.com.
[online image] 1 page. Photo taken Oct. 2015 [retrieved on May 19, 2016]. Retrieved from Internet: <http://www.mobilemistinglv.com/photos-of-events/> Image URL: http://www.mobilemistinglv.com/wp-content/uploads/2013/07/20151003_173058-1024x576.jpg*

(22) Filed: **Apr. 7, 2015**

(51) **LOC (10) Cl.** **23-04**

(Continued)

(52) **U.S. Cl.**

USPC **D23/370**; D23/360

(58) **Field of Classification Search**

USPC D23/370, 378, 386, 395, 411, 499, 314,
D23/317, 330, 332, 333, 335, 337, 351, 354,
D23/360, 200, 213, 225; D32/21, 22

CPC F24F 1/025; F24F 5/0035; F24F 6/04;
F24F 2006/008; F28D 5/00; F02M 37/00

See application file for complete search history.

Primary Examiner — Susan Bennett Hattan

Assistant Examiner — Marie Fast Horse

(74) *Attorney, Agent, or Firm* — Faegre Baker Daniels LLP

(57) **CLAIM**

The ornamental design for mobile cooling device, as shown and described.

(56) **References Cited**

DESCRIPTION

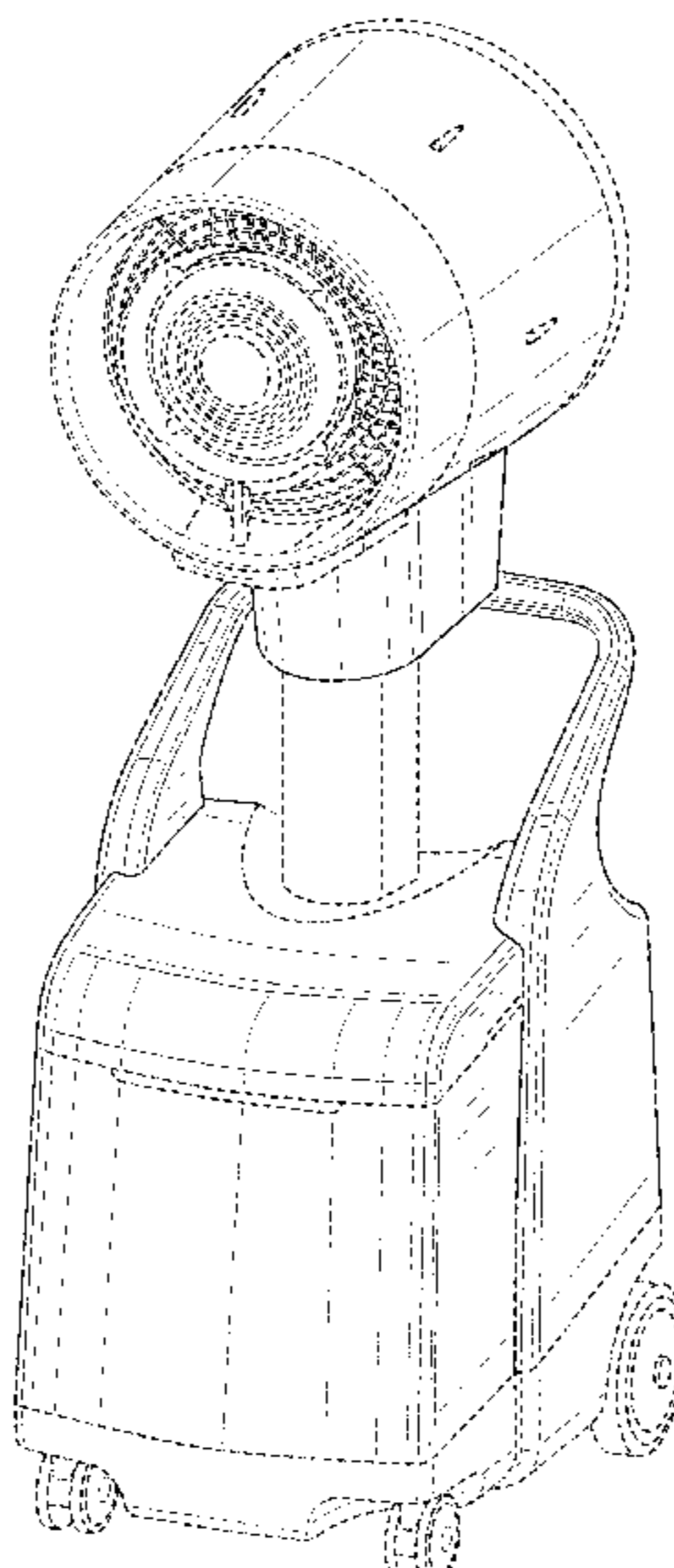
U.S. PATENT DOCUMENTS

2,079,117 A 5/1937 Hays
2,238,120 A 4/1941 Launder
2,551,789 A 5/1951 Copley
2,571,069 A 10/1951 Shearman
2,576,976 A 12/1951 Stagner
2,608,792 A 9/1952 Chater
2,635,920 A 4/1953 Boyce
2,973,121 A 2/1961 Banker
3,446,424 A 5/1969 Wolford
4,004,732 A 1/1977 Hanson

FIG. 1 is a perspective view of mobile cooling device;
FIG. 2 is a front view thereof;
FIG. 3 is a rear view thereof;
FIG. 4 is a left side view thereof;
FIG. 5 is a right side view thereof;
FIG. 6 is a top view thereof; and,
FIG. 7 is a bottom view thereof.

The portions of the device shown in broken lines form no part of the claimed design.

1 Claim, 7 Drawing Sheets



(56)

References Cited

U.S. PATENT DOCUMENTS

4,657,712 A 4/1987 Milbocker
 5,299,737 A 4/1994 McGinnis et al.
 5,447,663 A 9/1995 Dix et al.
 5,606,868 A 3/1997 Calvert
 D381,779 S 7/1997 Pritchett et al.
 5,836,513 A 11/1998 Smith et al.
 5,890,258 A * 4/1999 Lee A47L 11/30
 15/320
 D412,199 S * 7/1999 Louis D23/213
 5,956,964 A 9/1999 Wright
 5,961,044 A 10/1999 Dalbec et al.
 D416,073 S 11/1999 Louis et al.
 6,017,188 A 1/2000 Benton
 D420,473 S * 2/2000 Shero D32/16
 6,086,053 A 7/2000 Natschke et al.
 6,182,463 B1 2/2001 Strussion et al.
 6,212,897 B1 4/2001 Wang
 6,237,896 B1 5/2001 Hicks et al.
 6,325,362 B1 12/2001 Massey et al.
 6,425,958 B1 * 7/2002 Giddings A47L 11/03
 134/21
 6,503,063 B1 1/2003 Brunsell
 6,691,926 B1 2/2004 Moen
 D491,656 S * 6/2004 Gao D23/370
 6,742,718 B2 6/2004 Doebler et al.
 6,789,787 B2 9/2004 Stutts
 7,021,894 B2 4/2006 Lopatinsky et al.
 D528,254 S * 9/2006 Michael D32/21
 D528,718 S 9/2006 Tomasiak et al.
 7,395,676 B2 7/2008 White
 D576,703 S * 9/2008 Nathan D23/225
 D577,426 S * 9/2008 Huang D23/360
 D587,868 S * 3/2009 DiPasquale D32/21
 7,533,435 B2 5/2009 Pedlar et al.
 7,547,364 B2 6/2009 Polak
 D623,365 S 9/2010 Ediger et al.
 D652,185 S * 1/2012 Mu D32/21
 D668,750 S * 10/2012 Renfrew D23/364
 D676,205 S * 2/2013 Theising D32/21
 D684,250 S * 6/2013 Hubert D23/356
 8,631,665 B1 1/2014 DeClementi
 D718,504 S 11/2014 Carter et al.
 D720,900 S * 1/2015 Hickmott D32/21
 8,985,557 B2 3/2015 Canipe et al.
 2003/0111746 A1 * 6/2003 Stutts F24F 5/0035
 261/116
 2005/0109040 A1 5/2005 Hansen
 2006/0032259 A1 2/2006 White
 2007/0119187 A1 5/2007 Kitchens et al.
 2010/0226753 A1 9/2010 Dyson et al.
 2010/0270397 A1 * 10/2010 Lin F04D 29/705
 239/214.25
 2013/0219933 A1 * 8/2013 Hubert F04D 19/002
 62/121
 2014/0008461 A1 * 1/2014 Shiun B05B 7/0075
 239/302
 2014/0165639 A1 * 6/2014 Canipe F24F 5/0035
 62/259.4
 2015/0323205 A1 * 11/2015 Escalettes F04D 29/705
 261/78.2

FOREIGN PATENT DOCUMENTS

WO WO0069569 A1 11/2000
 WO 2013013124 A1 1/2013

OTHER PUBLICATIONS

Breezer Holdings Mobile Misting Fan2. mobilemistinglv.com. [online image] 1 page. Photo taken Jul. 2015 [retrieved on May 19, 2016]. Retrieved from Internet: <http://www.mobilemistinglv.com/photos-of-events/> Image URL: http://www.mobilemistinglv.com/wp-content/uploads/2013/07/20150712_073912-1024x576.jpg.
 Breezer Holdings Mobile Misting Fan3. mobilemistinglv.com. [online image] 1 page. Photo Taken Jul. 2015 [retrieved on May 19, 2016]. Retrieved from Internet: <http://www.mobilemistinglv.com/photos-of-events/> Image URL: <http://www.mobilemistinglv.com/wp-content/uploads/2013/07/2015-07-29-11.12.14.jpg>.
 Spraying Fans. (Design - © Questel). orbit.com [online PDF] 73 pages. Registrations range from Jan. 22, 2015 [retrieved on May 19, 2016]. Retrieved from Internet: <https://sobjprd.questel.fr/export/QPTUJ214/pdf2/2b1f7bcc-016e-4b17-9f13-1fc4744991b1-153444.pdf>.
 Luma Comfort MF26B High Power Misting Fan. amazon.com[online]7pgs.AvailableJul. 29, 2013[retrieved on May 18, 2016]. Retrieved from:<http://www.amazon.com/Luma-Comfort-MF26B-Power-Misting/dp/B007SNV20Y?SubscriptionId=AKIAIN5HK5BFVBOCQQZQ&tag=xxlsalecom-20&linkCode=xm2&camp=2025&creative=165953&creativeASIN=B007SNV20Y&ascsubtag=56424b6ad06fa0.76609259>.
 Breezer_Spec-Sheet_Civilian-USA11. powerbreezer.com.(online Pdf) 2 pgs. Uploaded Dec. 8, 2014 [retrieved on Sep. 19, 2016] <http://powerbreezer.com/breezer-oasis/> PDF URL: http://powerbreezer.com/wp-content/uploads/2015/03/Breezer_Spec-Sheet_Civillian-USA11.pdf.
 Aquafog Turbo RSM, copyright 1997, Jaybird Manufacturing, Inc., downloaded from <http://web.archive.org/web/19990421053744/http://www.jaybird-mfg.com/rsm.html> on Sep. 18, 2014, 2 pages. Brochure for “Mist & Cool”, a Cooling System and Environmental Quality control system, 2001 (with English translation), 6 pages. European Search Report issued in EP Application No. 12815179.2, mailed Apr. 28, 2015, 6 pages. International Search Report and Written Opinion issued in PCT/US2012/047543, mailed Oct. 5, 2012, 12 pages. Jaybird Product Catalog Cover 1998-99, Jaybird Manufacturing, Inc, <http://www.jaybird-mfg.com>, Internet Archive Wayback Machine, Apr. 21,1999, 2 pages. Jaybird Product Catalog Cover 2007, Jaybird Manufacturing, Inc, <http://www.jaybird-mfg.com>, Internet Archive Wayback Machine, Apr. 21, 1999, 3 pages. Design U.S. Appl. No. 29/518,517, filed Feb. 24, 2015. Breezer Environmental Cooling Unit Specifications Sheet; Breezer Holdings, LLC; Mar. 19, 2014; 1 page.

* cited by examiner

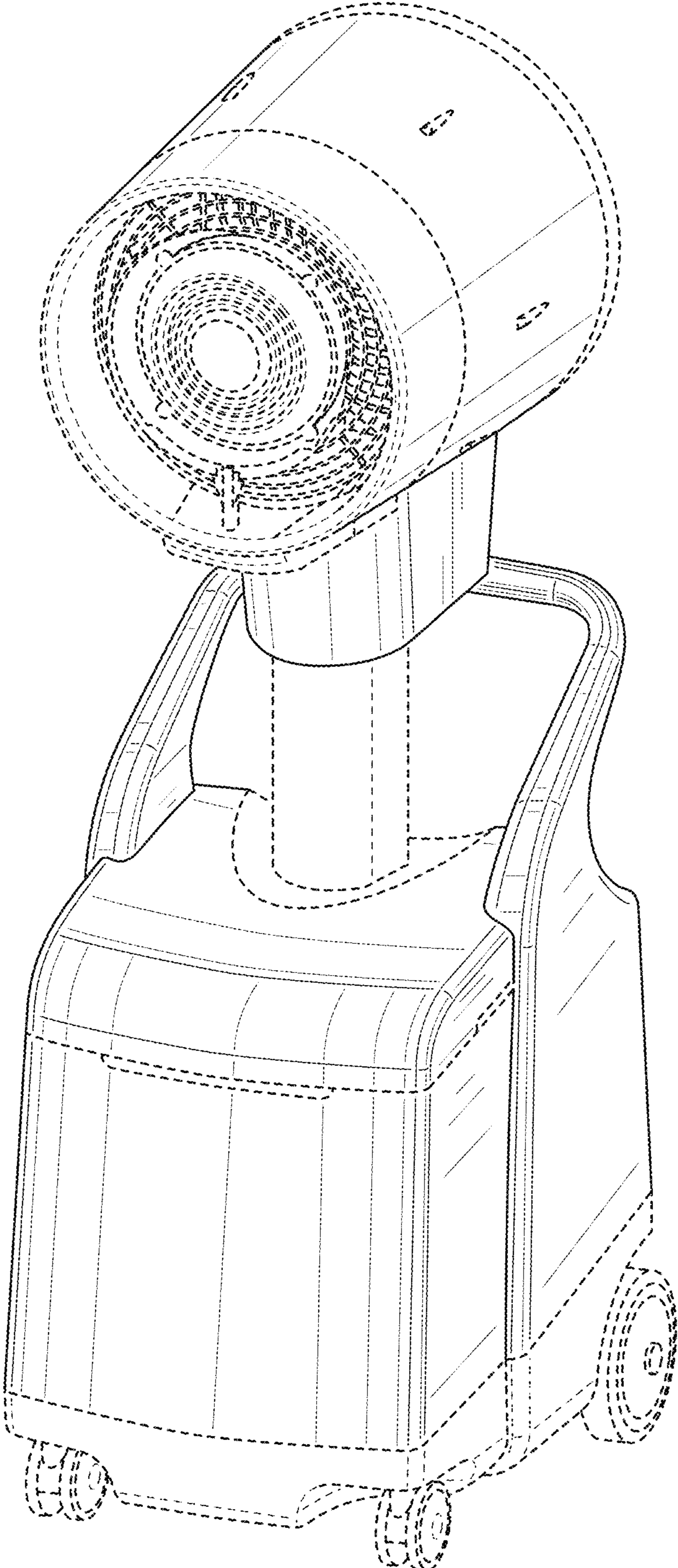


FIG. 1

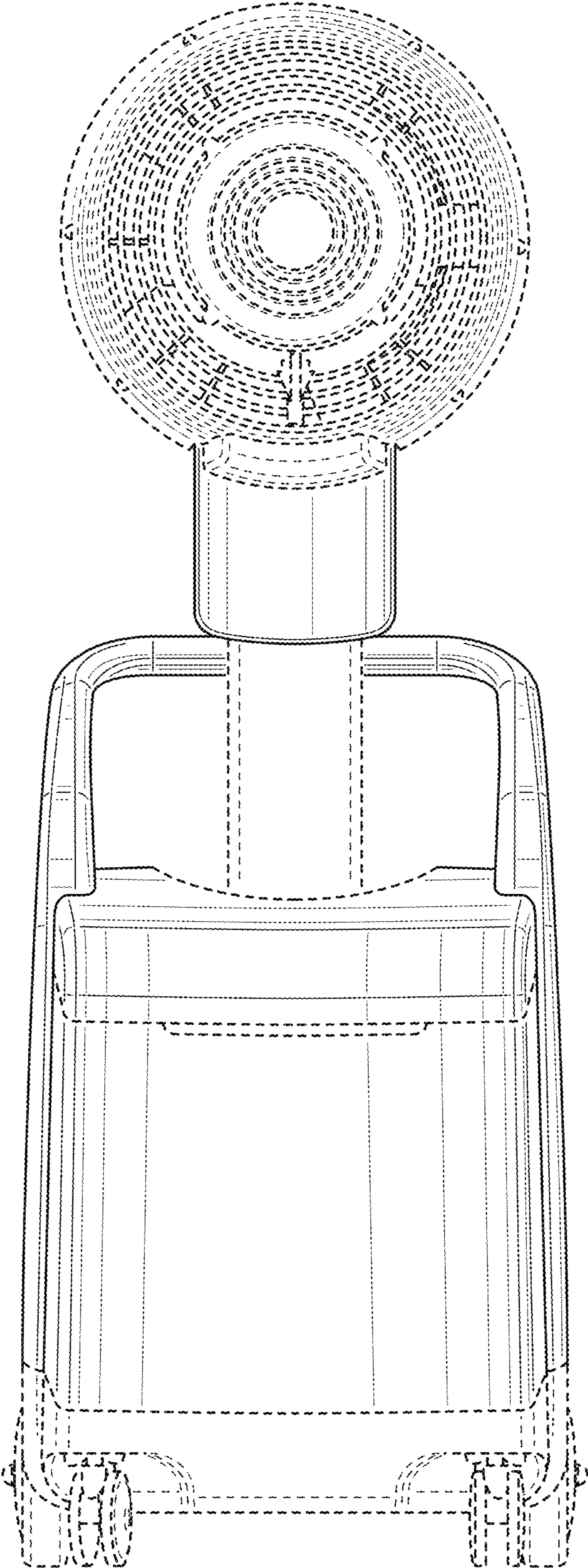


FIG. 2

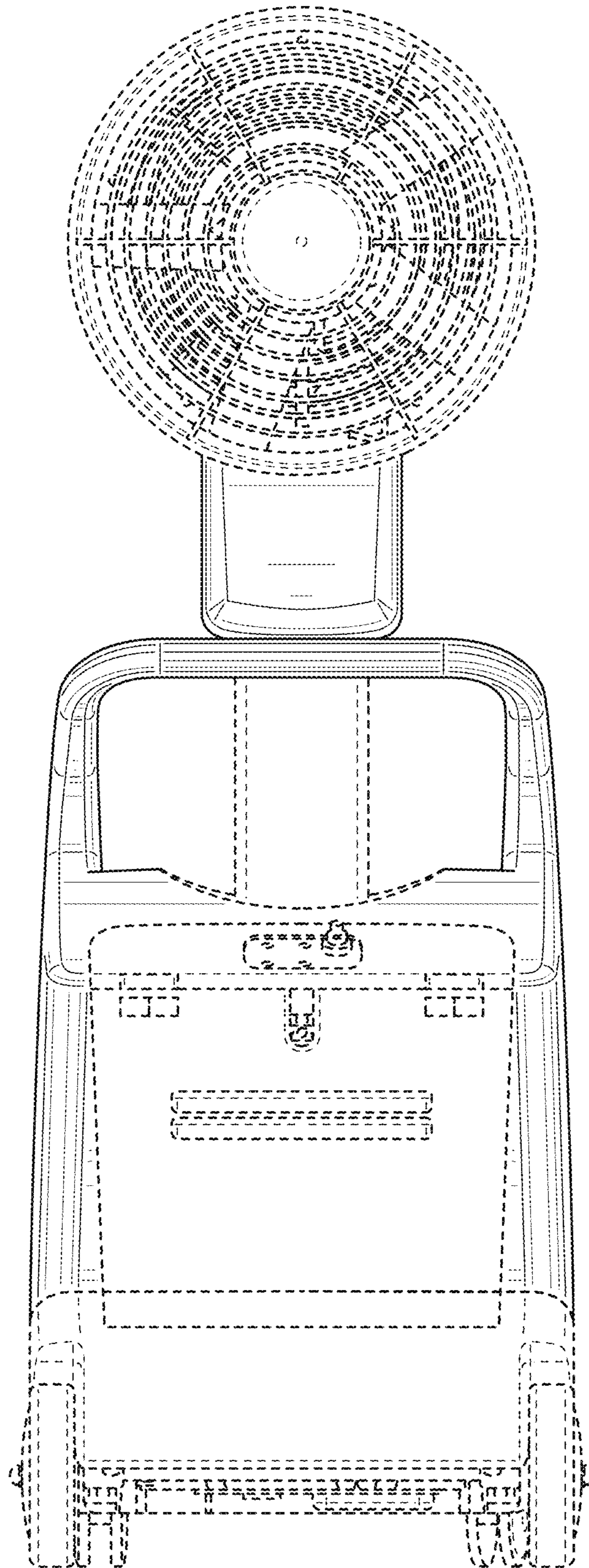


FIG. 3

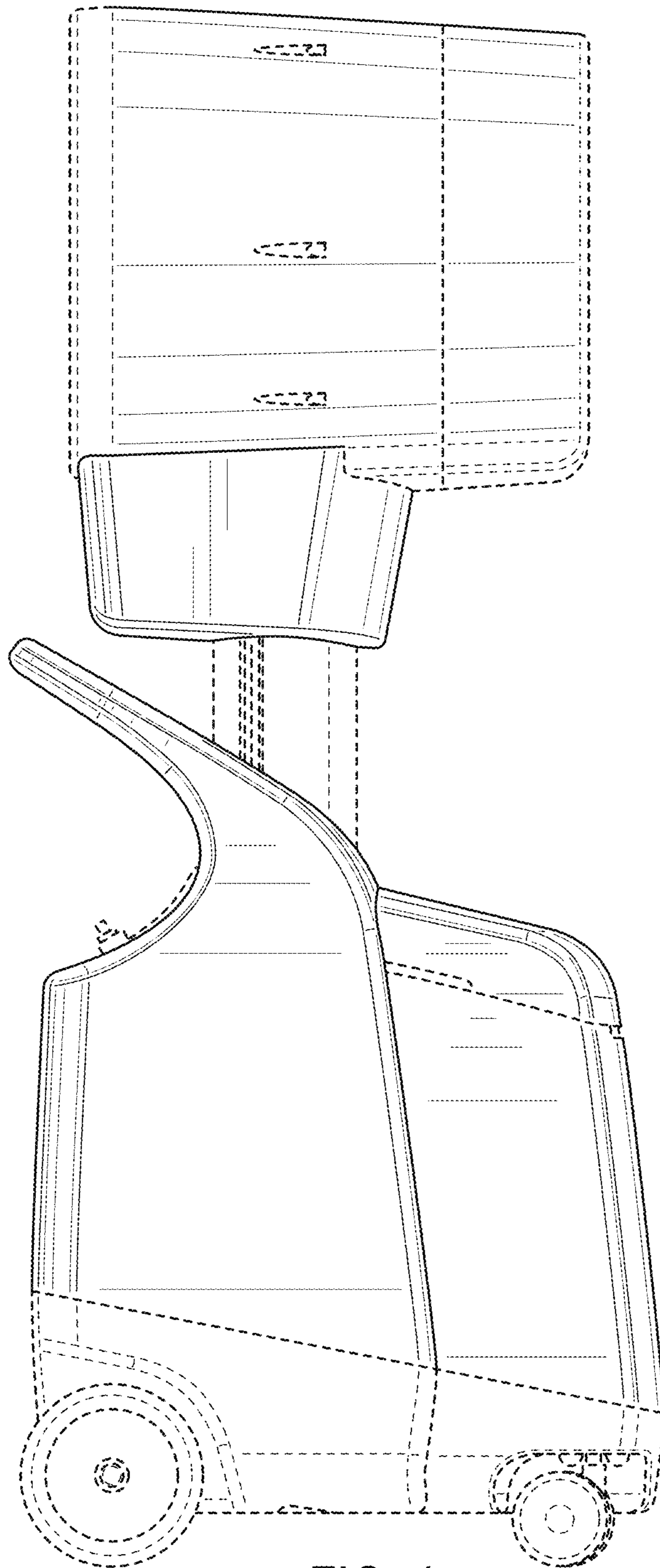


FIG. 4

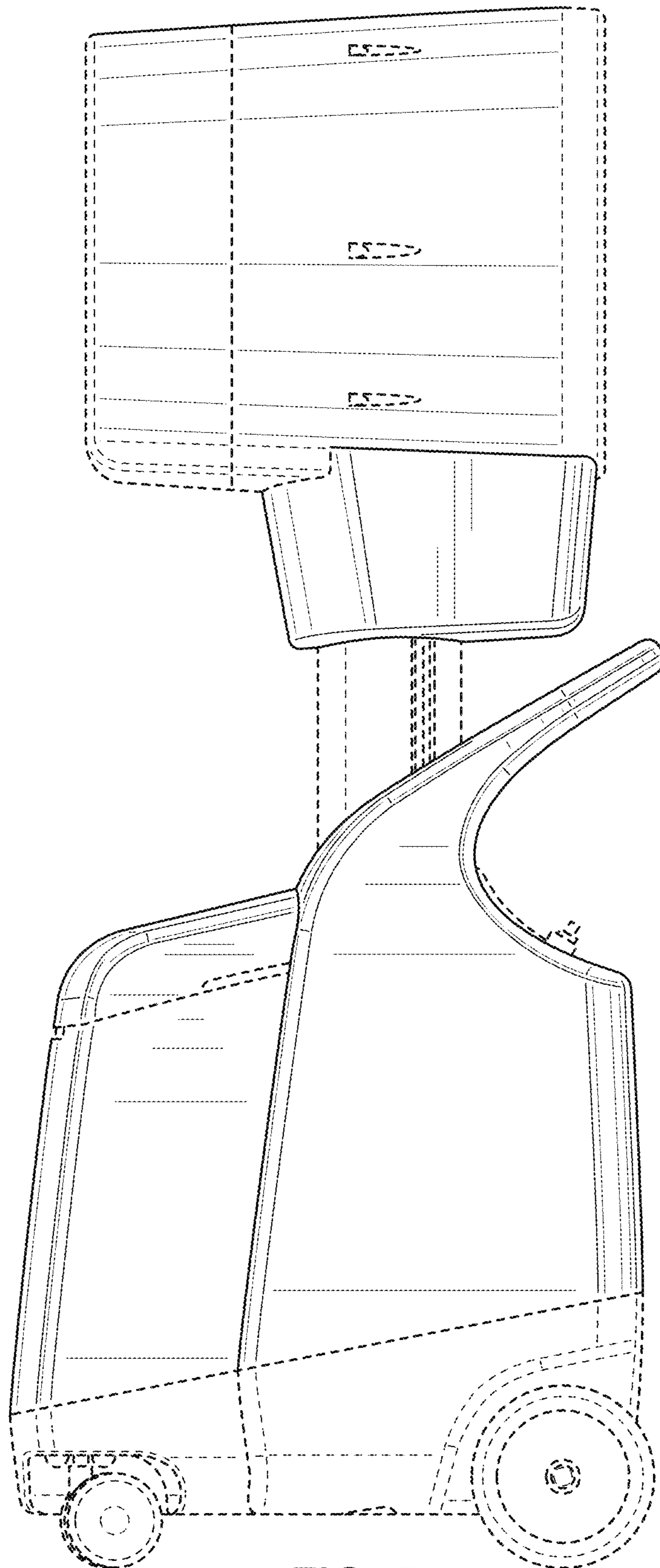


FIG. 5

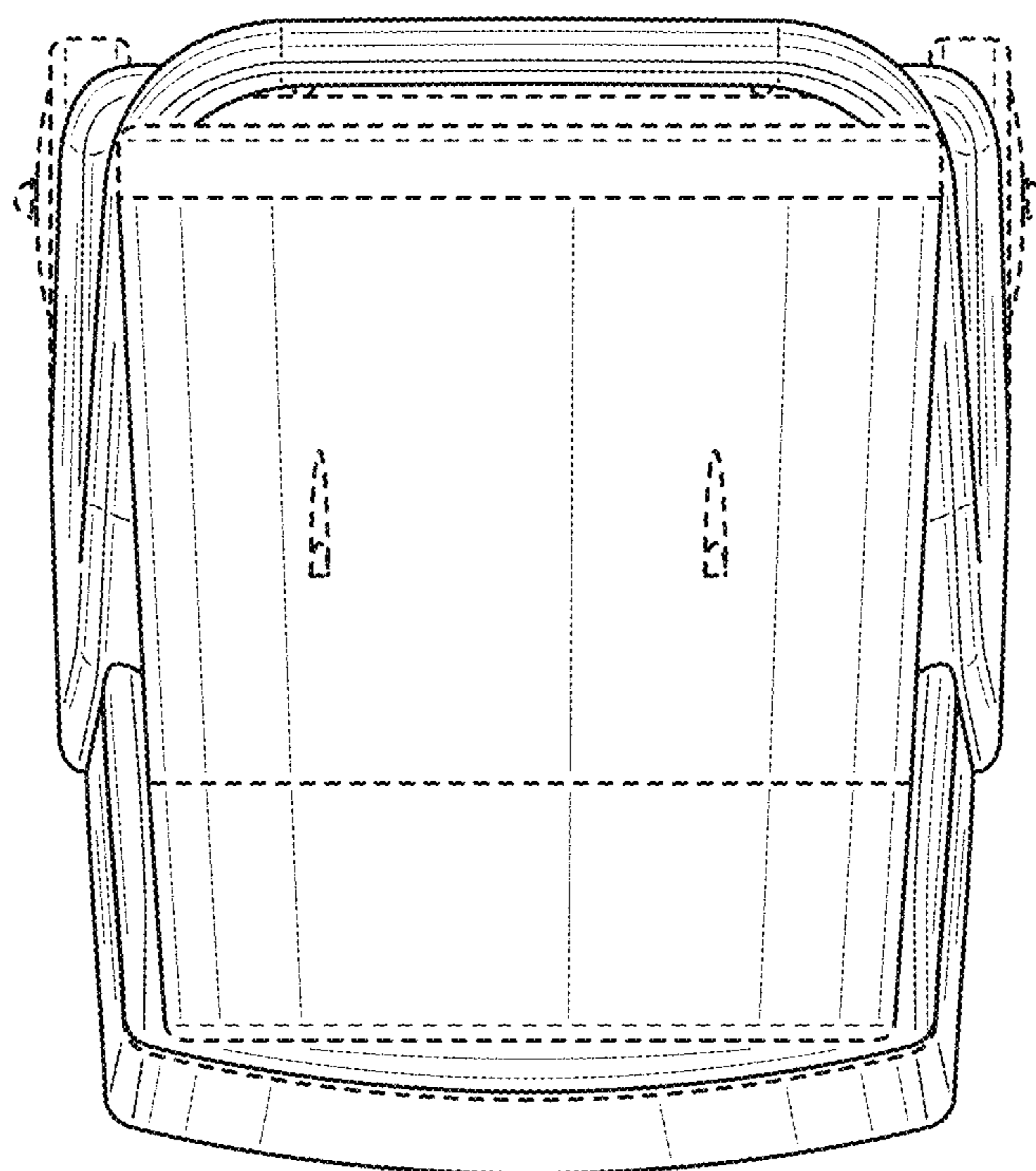


FIG. 6

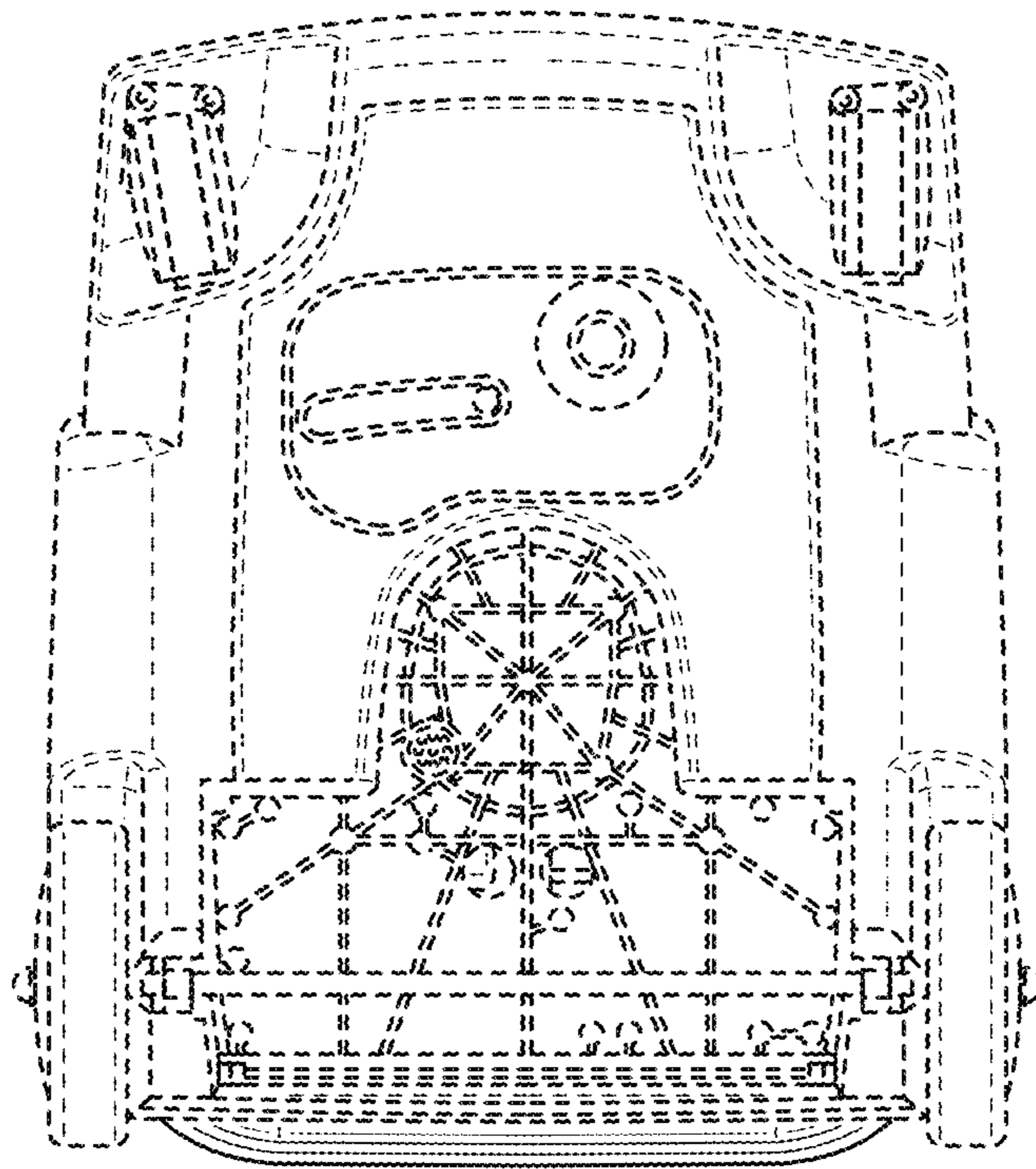


FIG. 7