

US00D771784S

(12) **United States Design Patent** (10) **Patent No.:** **US D771,784 S**
McDonnell (45) **Date of Patent:** **** Nov. 15, 2016**

(54) **DUAL TANK HUMIDIFIER**
(71) Applicant: **Great Innovations, LLC**, Miramar, FL (US)
(72) Inventor: **Joseph A. McDonnell**, Weston, FL (US)
(73) Assignee: **Great Innovations, LLC**, Miramar, FL (US)
(**) Term: **14 Years**

D513,797 S * 1/2006 Wang D23/356
D664,248 S * 7/2012 Huang D23/364
D681,182 S * 4/2013 Tomas Vilarasa D23/366
D707,337 S * 6/2014 McDonnell D23/356
D707,338 S * 6/2014 Ediger D23/356
D714,923 S * 10/2014 Engelhard D23/364

* cited by examiner

Primary Examiner — Austin Murphy
(74) *Attorney, Agent, or Firm* — Bass, Berry & Sims PLC

(21) Appl. No.: **29/511,729**
(22) Filed: **Dec. 12, 2014**
(51) **LOC (10) Cl.** **23-04**
(52) **U.S. Cl.**
USPC **D23/356**
(58) **Field of Classification Search**
USPC D23/355, 356, 359, 360, 364, 366, 368,
D23/386, 332; D15/79; 55/356, 473, 504;
422/120, 122; 96/97
CPC A61L 9/16; A61L 9/22; B01D 47/00;
B01D 47/027; B01D 2221/02; B01D
2259/4508; B03C 3/155; F24F 3/16; F24F
13/20; F24F 13/28; F24F 2001/0096; F24F
3/1405; F24F 3/1603; F24F 13/222
See application file for complete search history.

(57) **CLAIM**
The ornamental design for a dual tank humidifier, as shown and described.

DESCRIPTION

FIG. 1 is a top perspective view of a dual tank humidifier showing my new design;
FIG. 2 is a front view thereof;
FIG. 3 is a rear view thereof;
FIG. 4 is a right side view thereof;
FIG. 5 is a left side view thereof;
FIG. 6 is a top plan view thereof; and,
FIG. 7 is a bottom plan view thereof.
The broken lines are included for the purpose of illustrating portions of a dual tank humidifier that form no part of the claimed design.

(56) **References Cited**

U.S. PATENT DOCUMENTS

D189,393 S * 12/1960 Schlumbohm D23/356
D221,763 S * 9/1971 Gilbertson D23/364

1 Claim, 7 Drawing Sheets

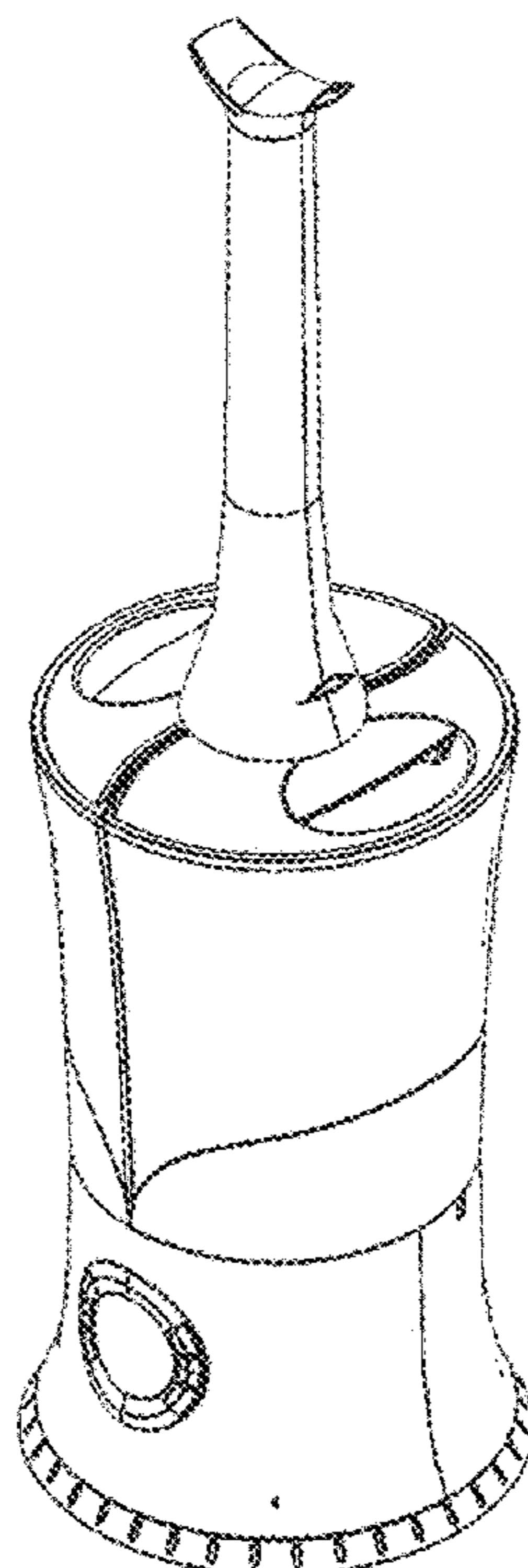


FIG. 1

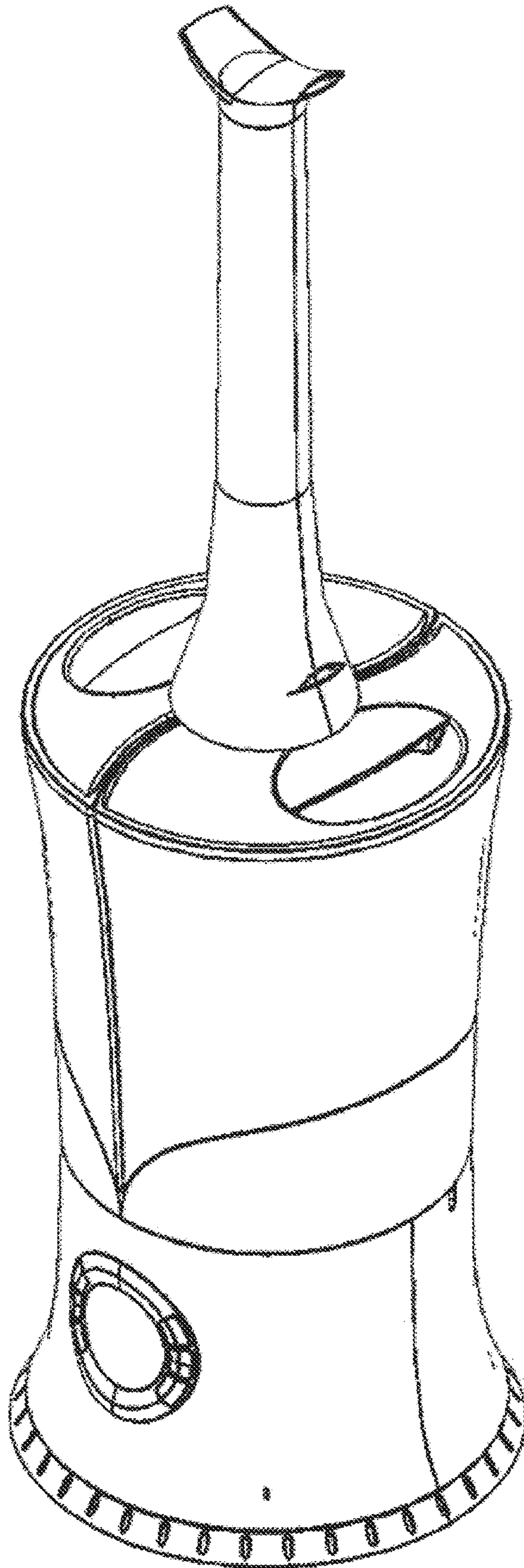


FIG. 2

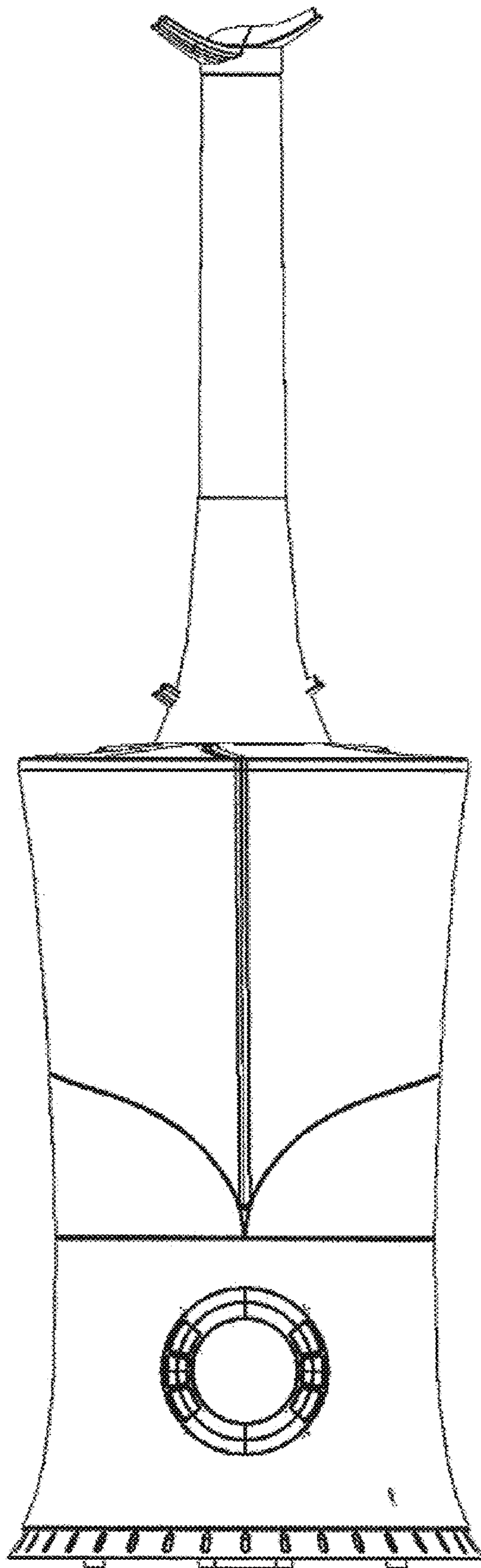


FIG. 3

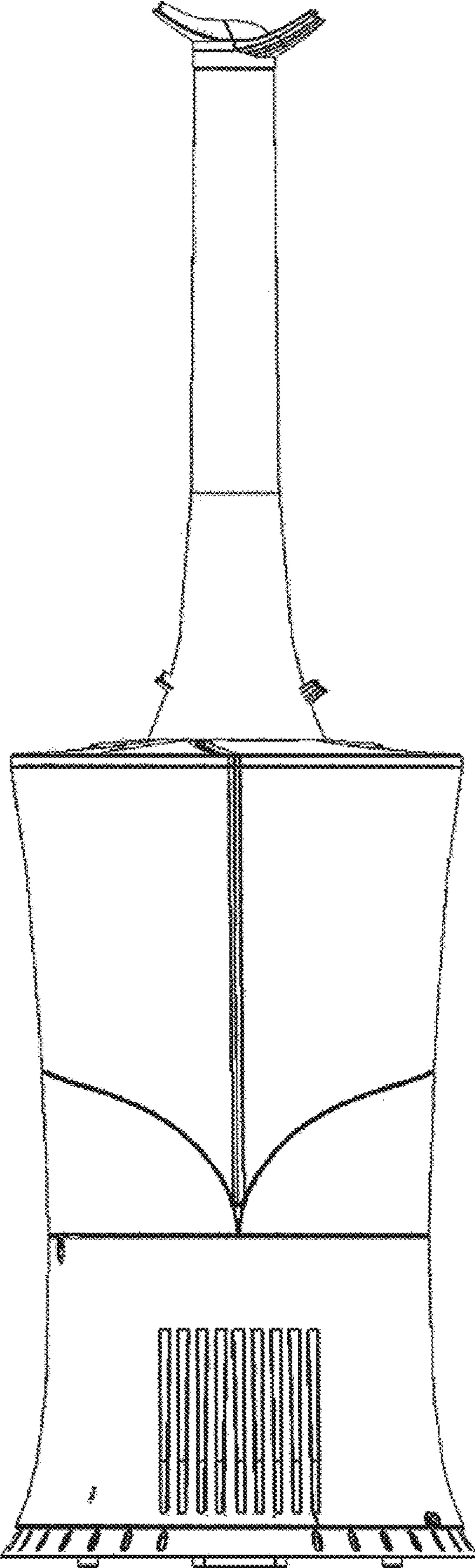


FIG. 4

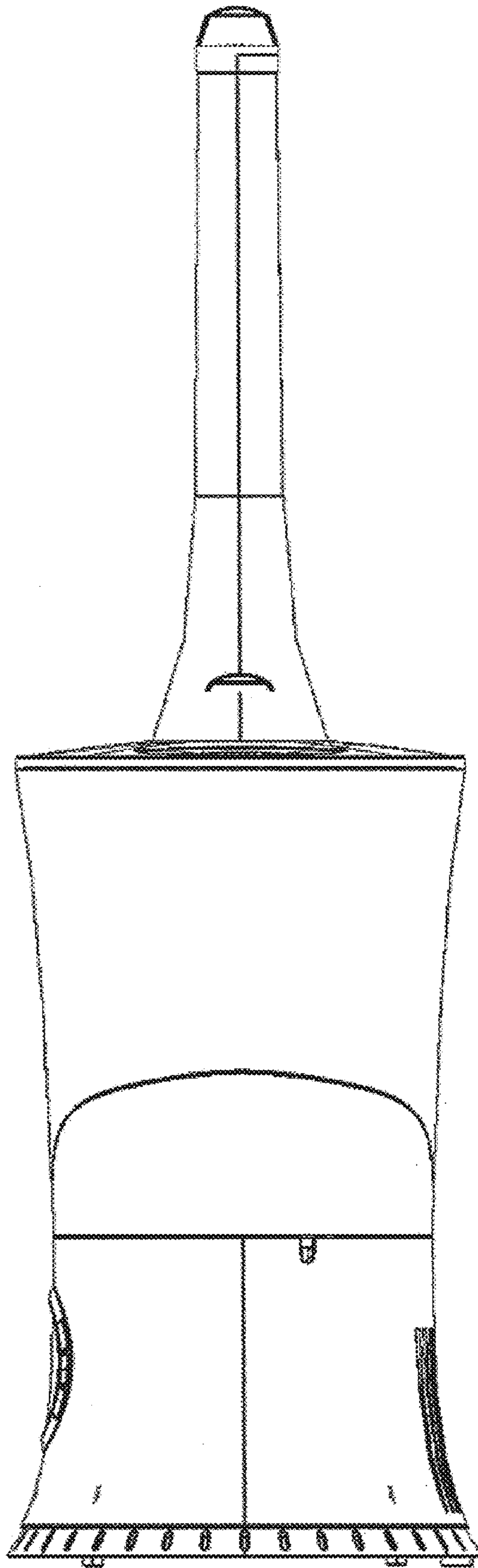
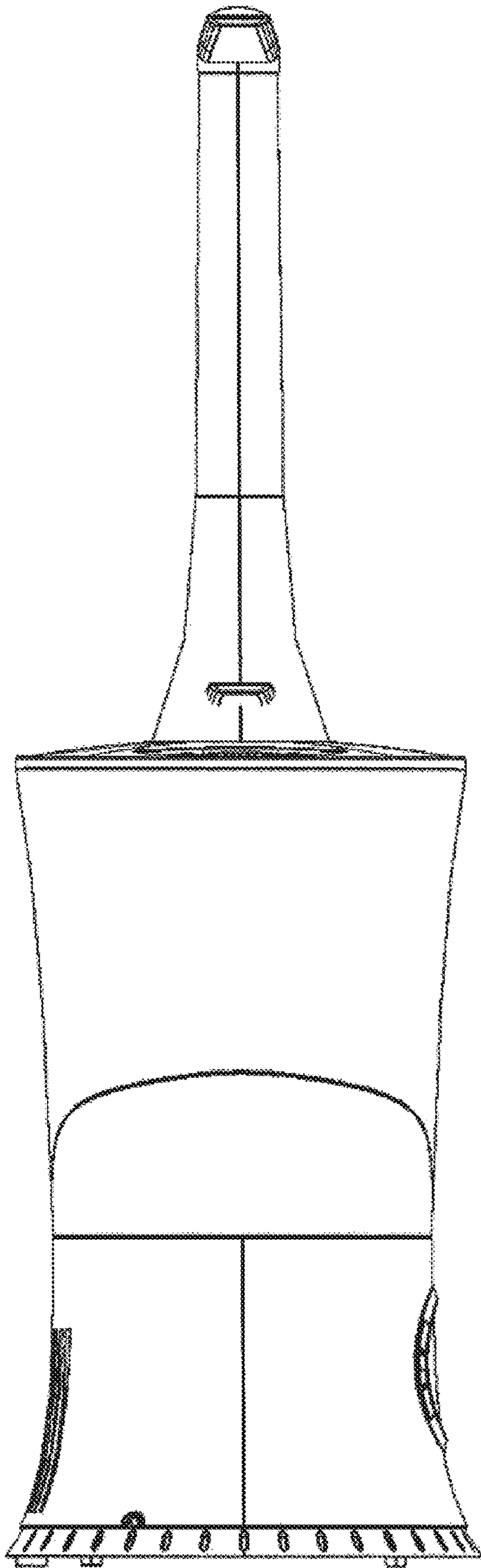


FIG. 5



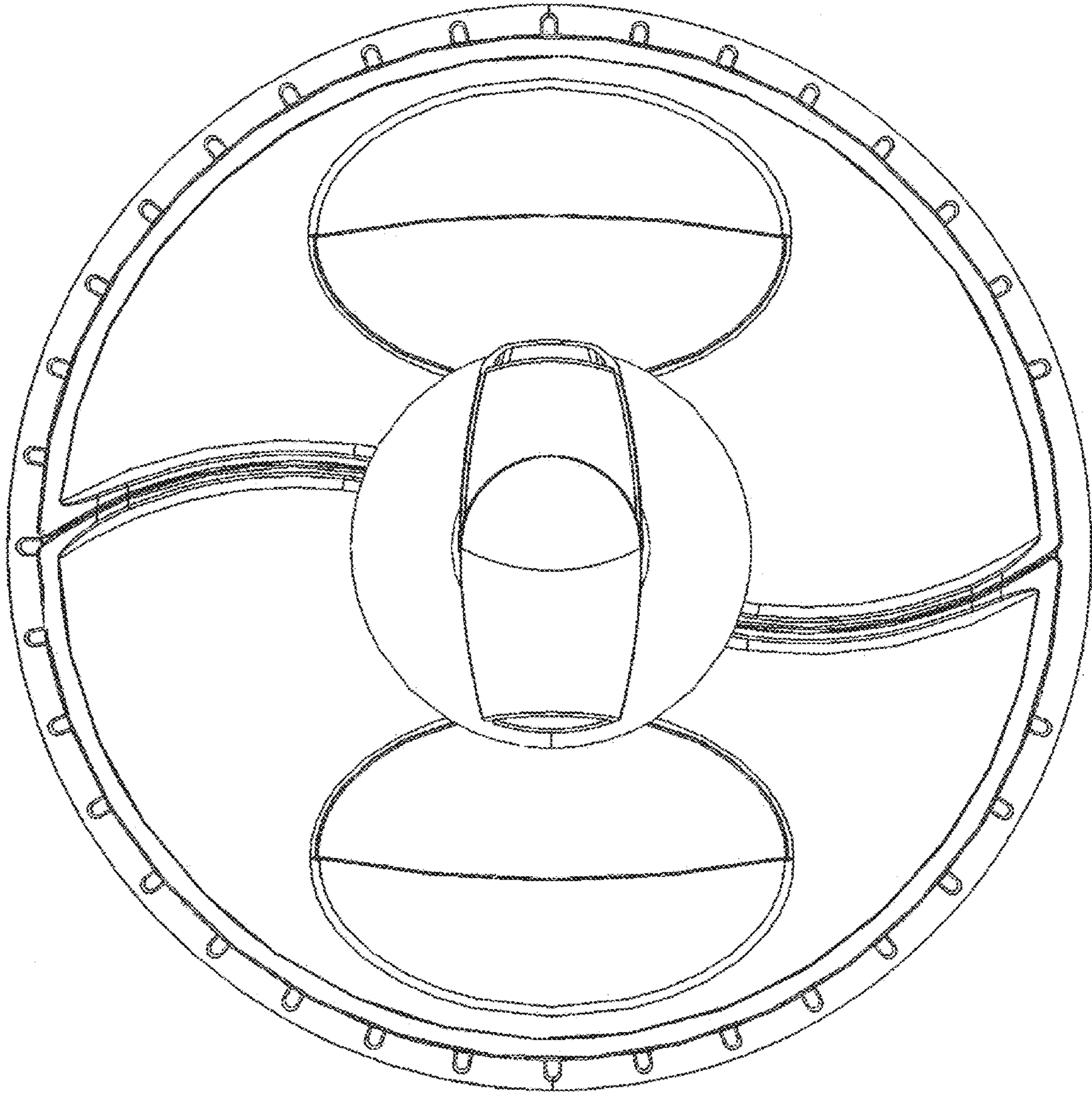


FIG. 6

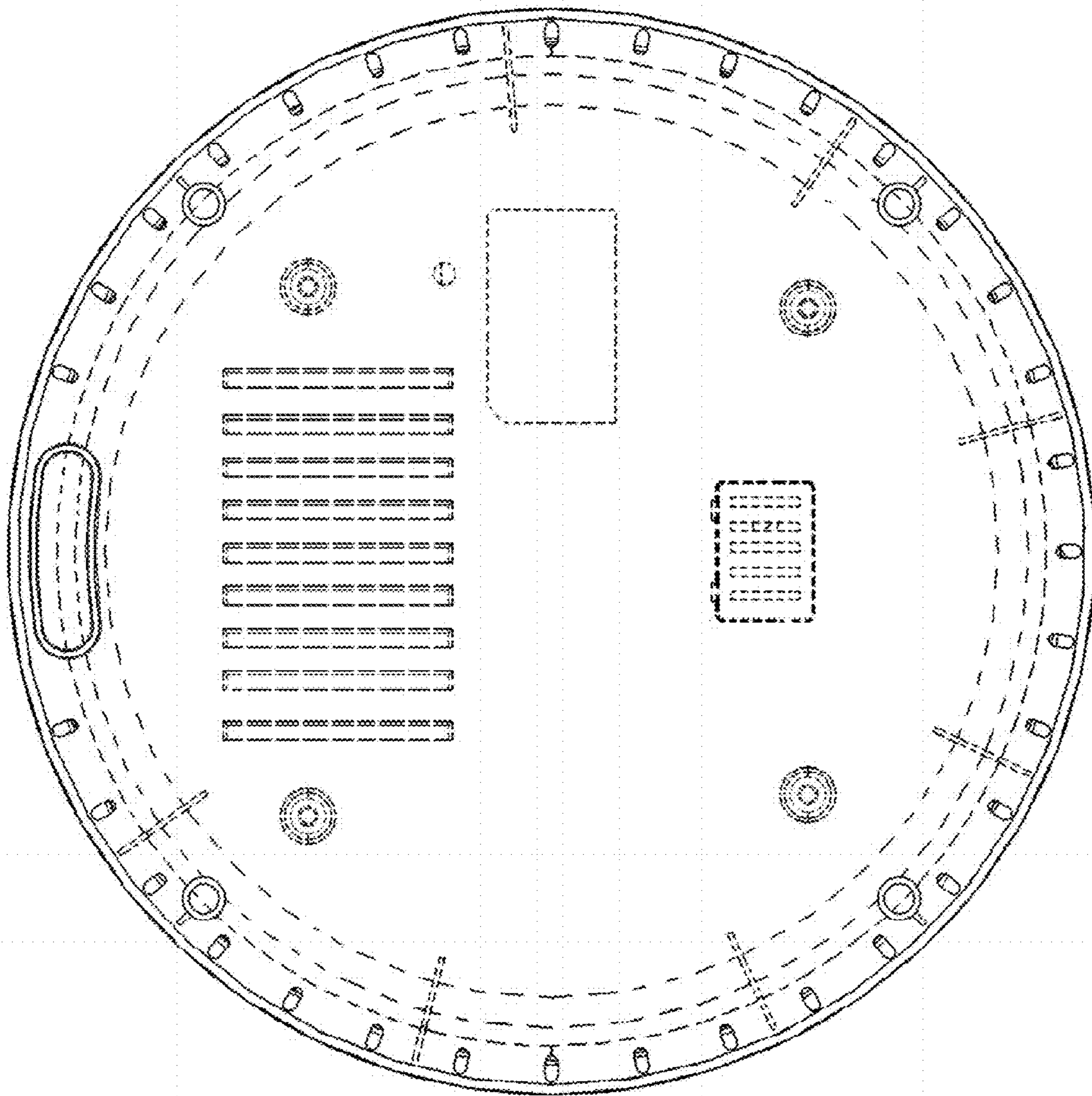


FIG. 7