



US00D771781S

(12) **United States Design Patent** (10) **Patent No.:** **US D771,781 S**
Stauffer et al. (45) **Date of Patent:** **** Nov. 15, 2016**

(54) **SINK**
(71) Applicant: **Kohler Co.**, Kohler, WI (US)
(72) Inventors: **Monty D. Stauffer**, Sheboygan, WI (US); **Nancy L. Yusko**, Sheboygan, WI (US)
(73) Assignee: **KOHLER CO.**, Kohler, WI (US)
(**) Term: **15 Years**
(21) Appl. No.: **29/562,529**
(22) Filed: **Apr. 26, 2016**

D560,778 S 1/2008 Paterson
D560,780 S 1/2008 Hanna
D560,781 S 1/2008 Paterson
D588,240 S 3/2009 Hanna
D588,247 S 3/2009 Hanna et al.
D601,677 S 10/2009 Hanna et al.
D601,678 S 10/2009 Soulier
D635,227 S 3/2011 DuFour
D635,229 S 3/2011 DuFour
D652,492 S 1/2012 Slothower et al.
D656,593 S 3/2012 Stauffer
D663,017 S 7/2012 Slothower et al.
D663,390 S 7/2012 Stauffer
D678,991 S 3/2013 Stauffer
D687,529 S 8/2013 Stauffer
D722,143 S 2/2015 Clarke et al.
D724,710 S 3/2015 Clarke

Related U.S. Application Data

(62) Division of application No. 29/513,049, filed on Dec. 24, 2014, now Pat. No. Des. 757,235.
(51) **LOC (10) Cl.** **23-02**
(52) **U.S. Cl.**
USPC **D23/308**
(58) **Field of Classification Search**
USPC D23/271-274, 284, 286, 291-293.1, D23/303, 308
CPC E03C 1/00; E03C 1/01; E03C 1/02; E03C 1/12; E03C 1/18
See application file for complete search history.

Primary Examiner — Robert Delehanty
(74) *Attorney, Agent, or Firm* — Foley & Lardner LLP

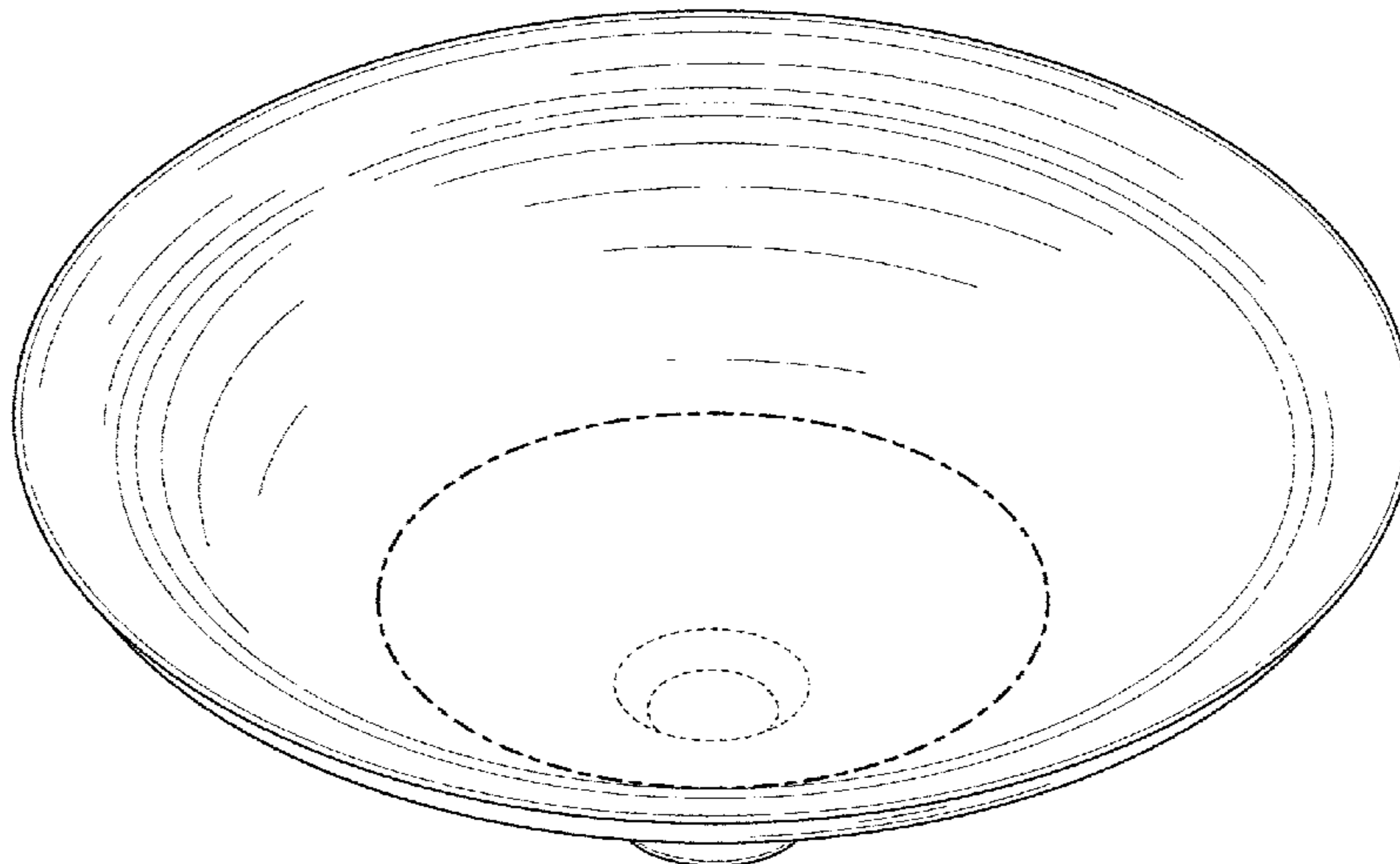
(57) **CLAIM**
We claim the ornamental design for a sink, as shown and described.

DESCRIPTION

FIG. 1 is a top, front perspective view of an embodiment of the claimed design;
FIG. 2 is a front elevation view thereof, each of the left, right, and rear elevation views being a mirror image thereof;
FIG. 3 is a top plan view thereof;
FIG. 4 is a bottom plan view thereof; and,
FIG. 5 is a cross-sectional view taken along Line 5-5 in FIG. 3.
The ornamental design which is claimed is shown in solid lines in the drawings. The broken lines in the drawings form no part of the claimed design. Broken lines formed by equal length dashes show unclaimed subject matter. Broken lines formed of unequal length dashes (i.e., dash-dot) define bounds of the claimed design.

(56) **References Cited**
U.S. PATENT DOCUMENTS
D400,237 S 10/1998 Millard
D537,921 S 3/2007 Kirar
D538,411 S 3/2007 Bates et al.
D540,441 S 4/2007 Bates
D560,775 S 1/2008 Hanna
D560,776 S 1/2008 Hanna
D560,777 S 1/2008 Hanna

1 Claim, 5 Drawing Sheets



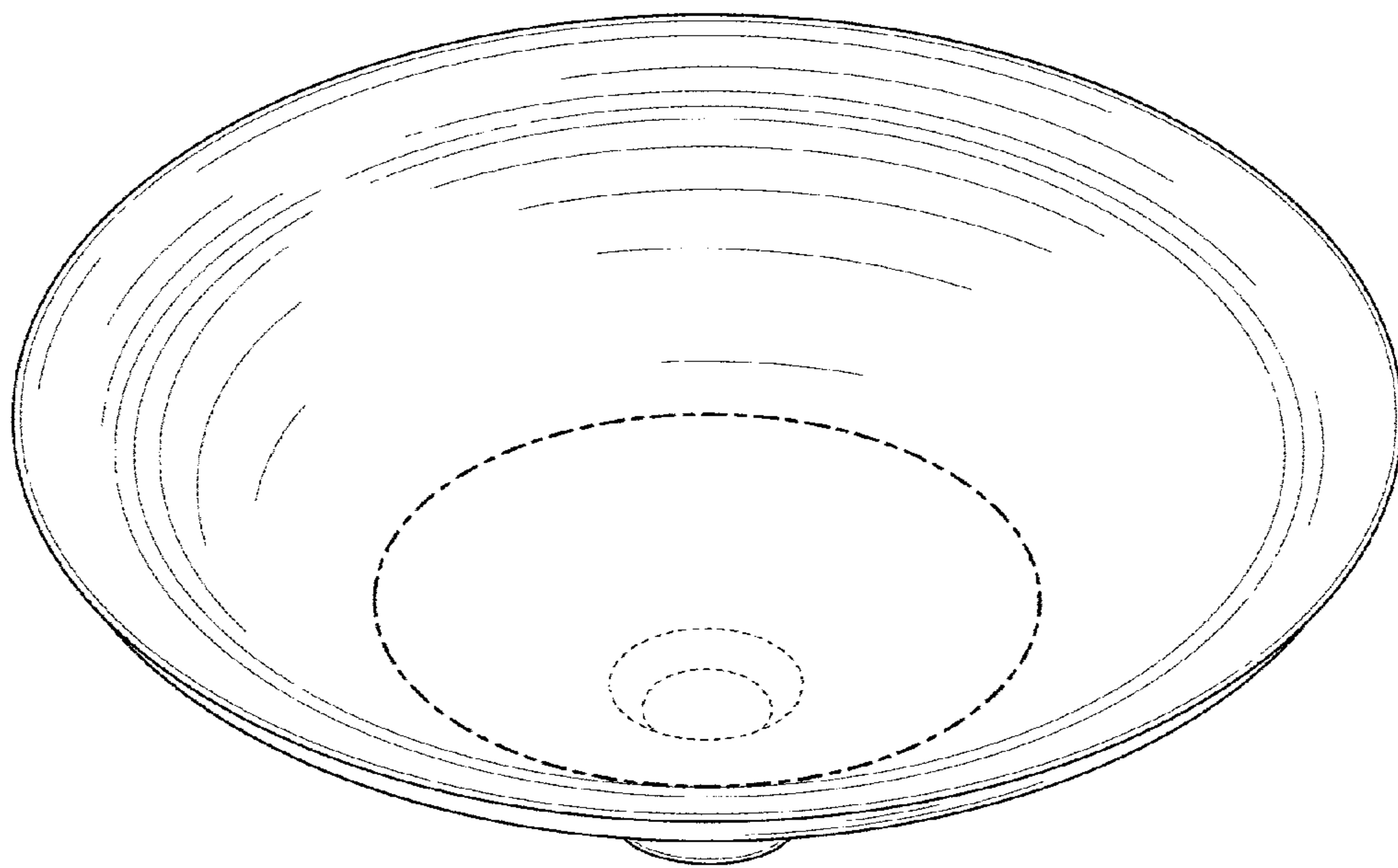


FIG. 1

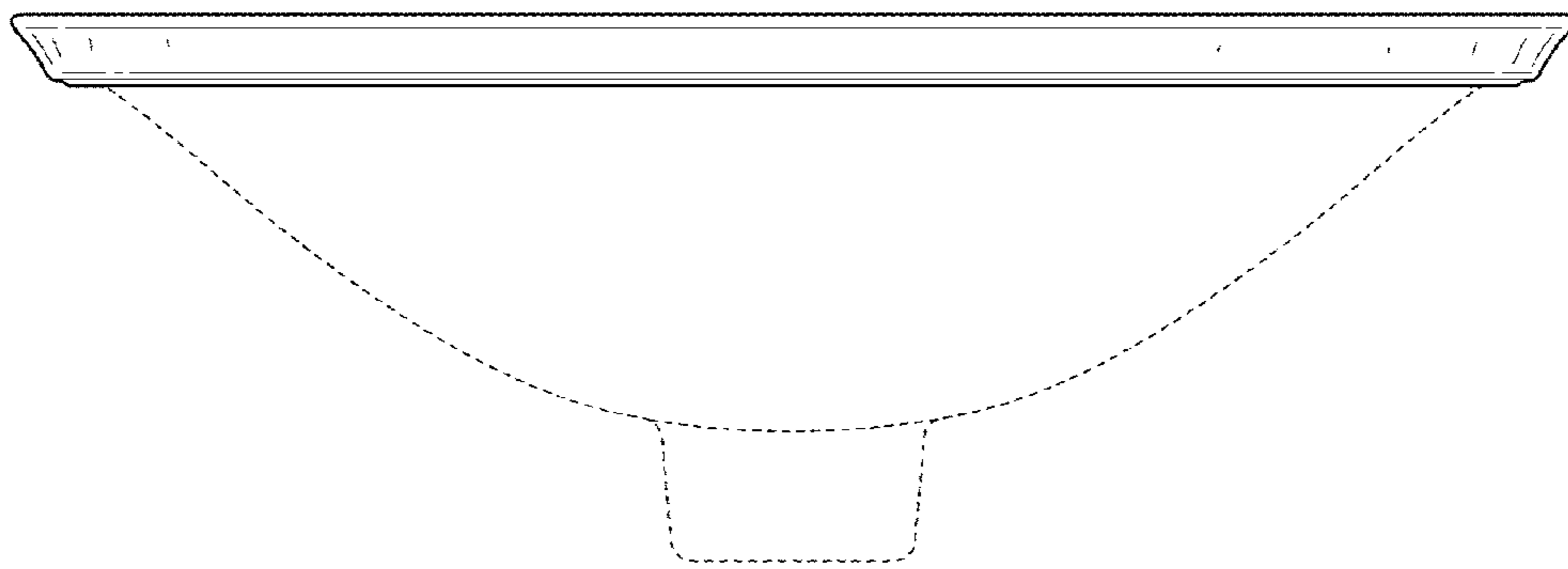


FIG. 2

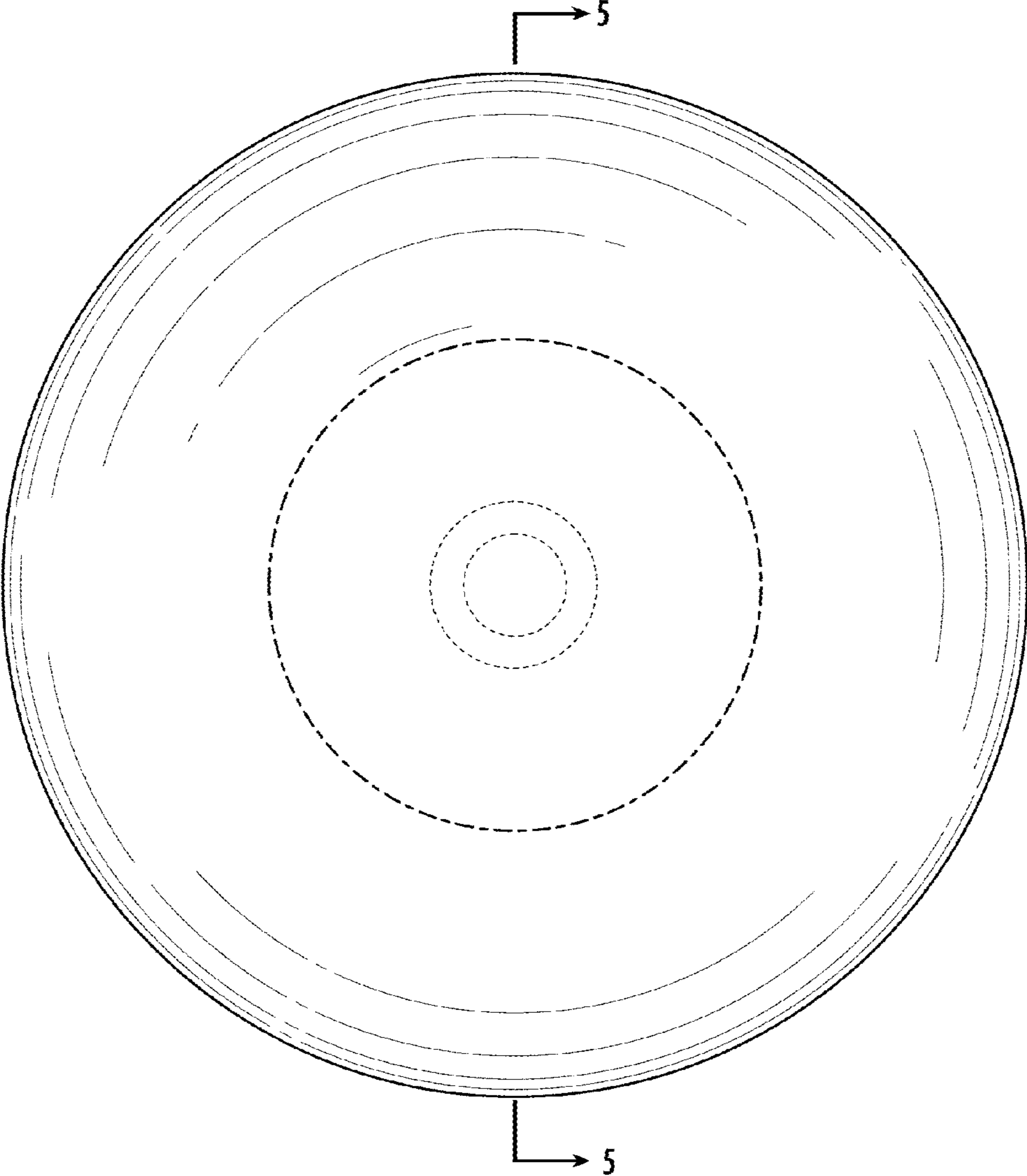


FIG. 3

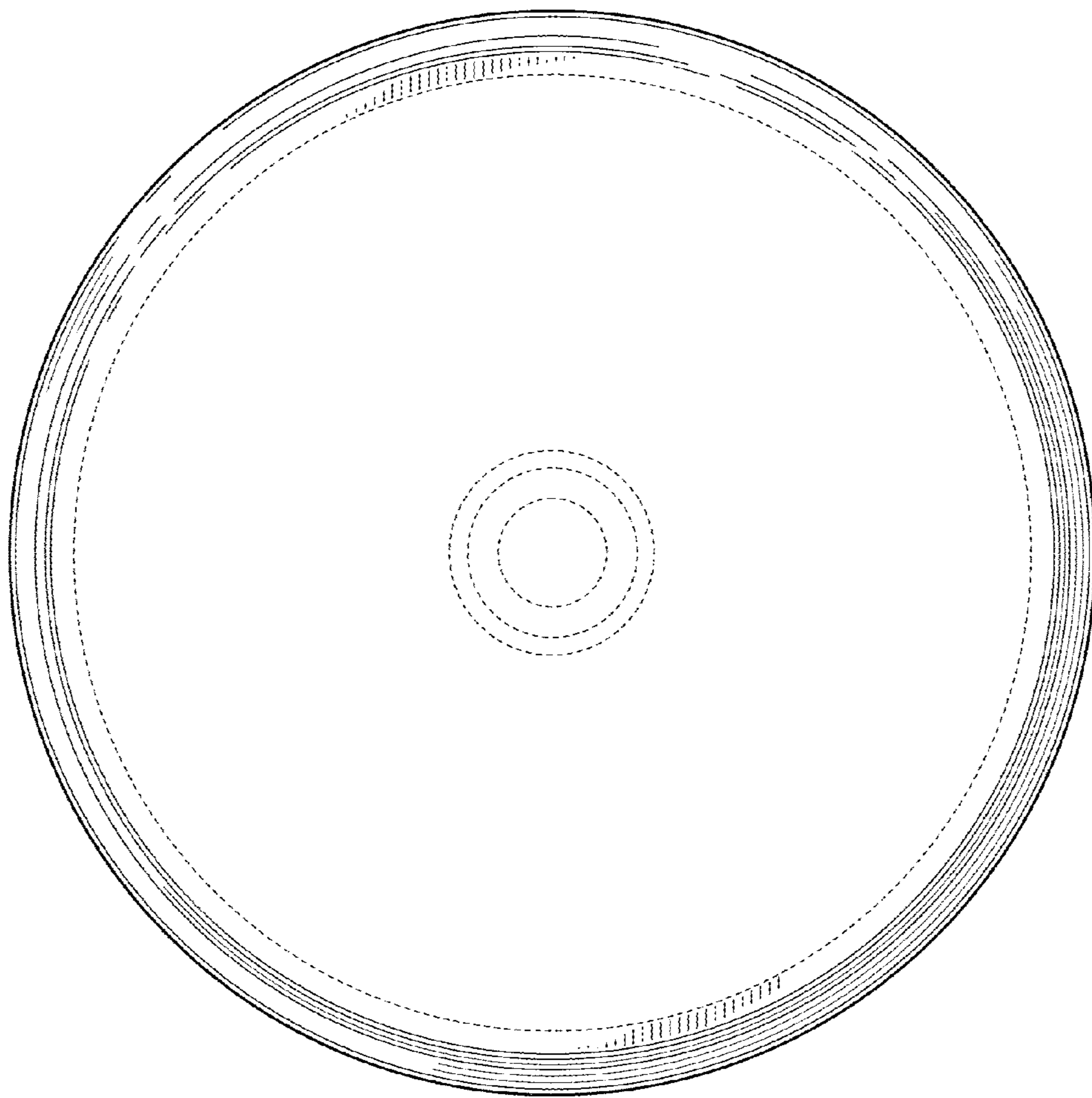


FIG. 4

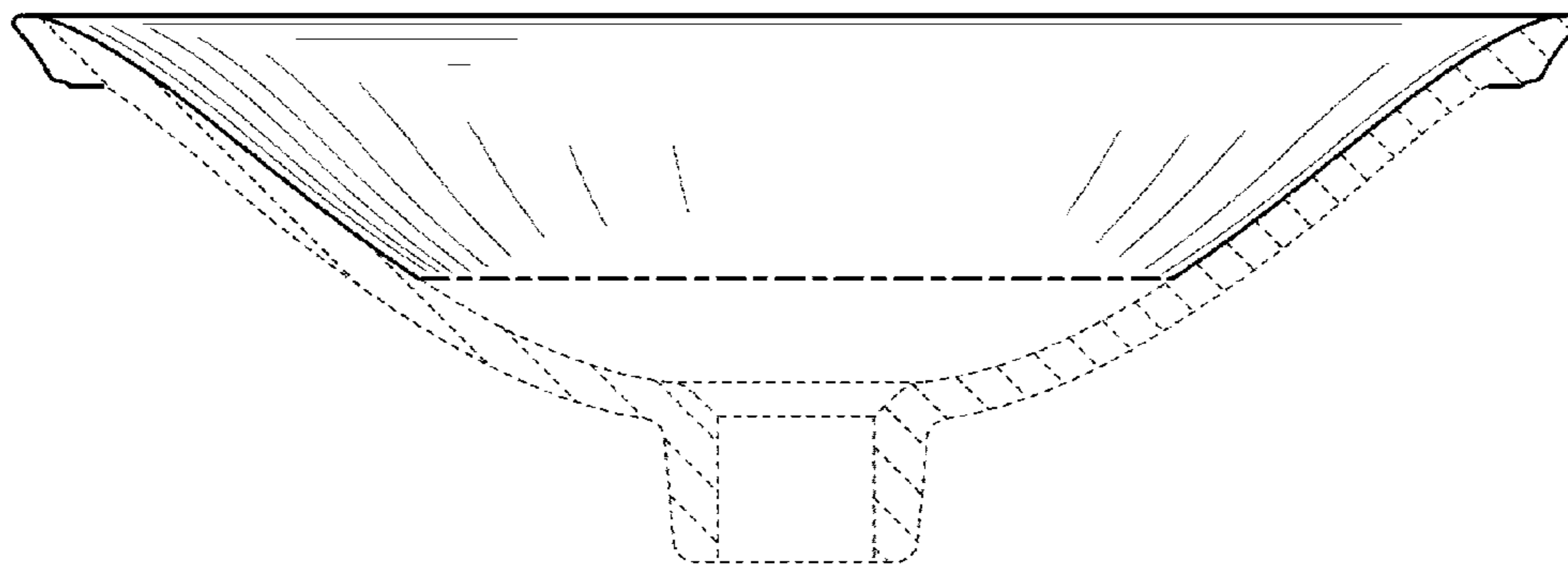


FIG. 5