



US00D771780S

(12) **United States Design Patent**
Scifres et al.

(10) **Patent No.:** **US D771,780 S**

(45) **Date of Patent:** **** Nov. 15, 2016**

(54) **ELBOW FITTING**

(71) Applicant: **Lasco Fittings, Inc.**, Brownsville, TN (US)

(72) Inventors: **Robert P. Scifres**, Brownsville, TN (US); **David A. McAllister**, Lakeland, TN (US)

(73) Assignee: **Lasco Fittings, Inc.**, Brownsville, TN (US)

(**) Term: **14 Years**

(21) Appl. No.: **29/526,368**

(22) Filed: **May 8, 2015**

(51) **LOC (10) Cl.** **23-01**

(52) **U.S. Cl.**

USPC **D23/266**

(58) **Field of Classification Search**

USPC D23/233, 259–264, 266, 268

CPC F16L 19/041; F16L 21/08; F16L 37/252;

F16L 41/007; F16L 43/001; F16L 41/021;

F16L 25/14; F16L 17/32; F16B 7/0426;

F16B 11/00; F16B 11/008; E03C 1/26;

E03C 1/262; E03C 1/28; E03C 1/284;

E03F 5/04; A61B 5/00; A61M 25/09016;

H02G 3/06

See application file for complete search history.

(56) **References Cited**

U.S. PATENT DOCUMENTS

D135,634 S * 5/1943 Stark et al. D23/263

D229,410 S * 11/1973 Luckenbill et al. D23/263

D234,463 S *	3/1975	Ahlrot	D23/263
D480,787 S *	10/2003	Wilk, Jr.	D23/263
D481,447 S *	10/2003	Dole	D23/263
D482,103 S *	11/2003	Snyder, Sr.	D23/263
D615,631 S *	5/2010	Price	D23/263
D634,818 S *	3/2011	Leroyer	D23/263
D676,941 S *	2/2013	Kluss	D23/262
D727,472 S *	4/2015	Bednarz	D23/263
D739,508 S *	9/2015	Menno	D23/263
2016/0061367 A1 *	3/2016	Smith	F16L 25/00 285/179.1
2016/0076677 A1 *	3/2016	Conrad	B32B 5/22 285/294.1

* cited by examiner

Primary Examiner — Eric Goodman

Assistant Examiner — Amy Wierenga

(74) *Attorney, Agent, or Firm* — Shumaker, Loop & Kendrick, LLP

(57) **CLAIM**

We claim the ornamental design for an elbow fitting, as shown and described.

DESCRIPTION

FIG. 1 is a front and right side perspective view of an elbow fitting showing our new design;

FIG. 2 is a right side view thereof;

FIG. 3 is a front view thereof;

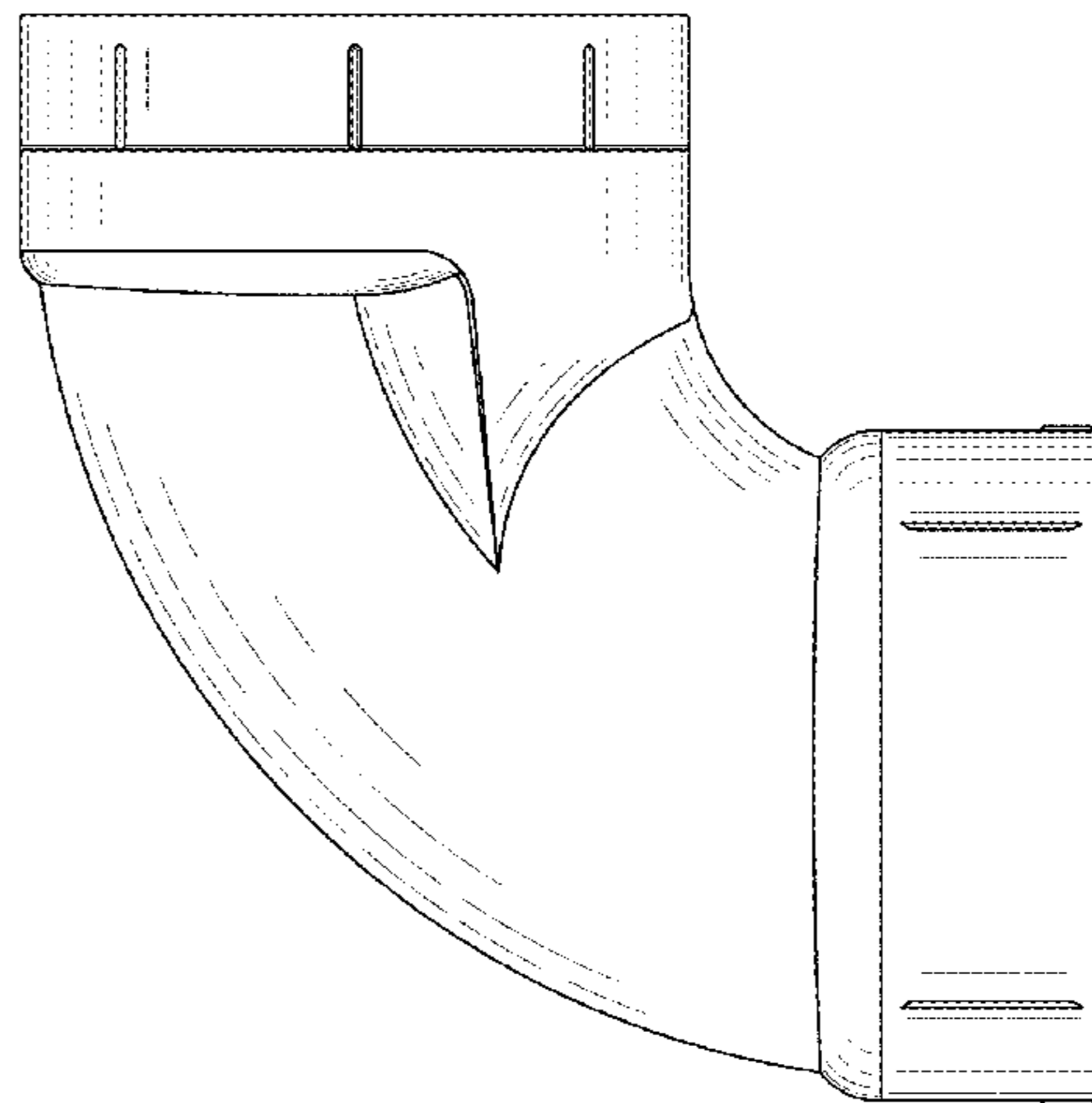
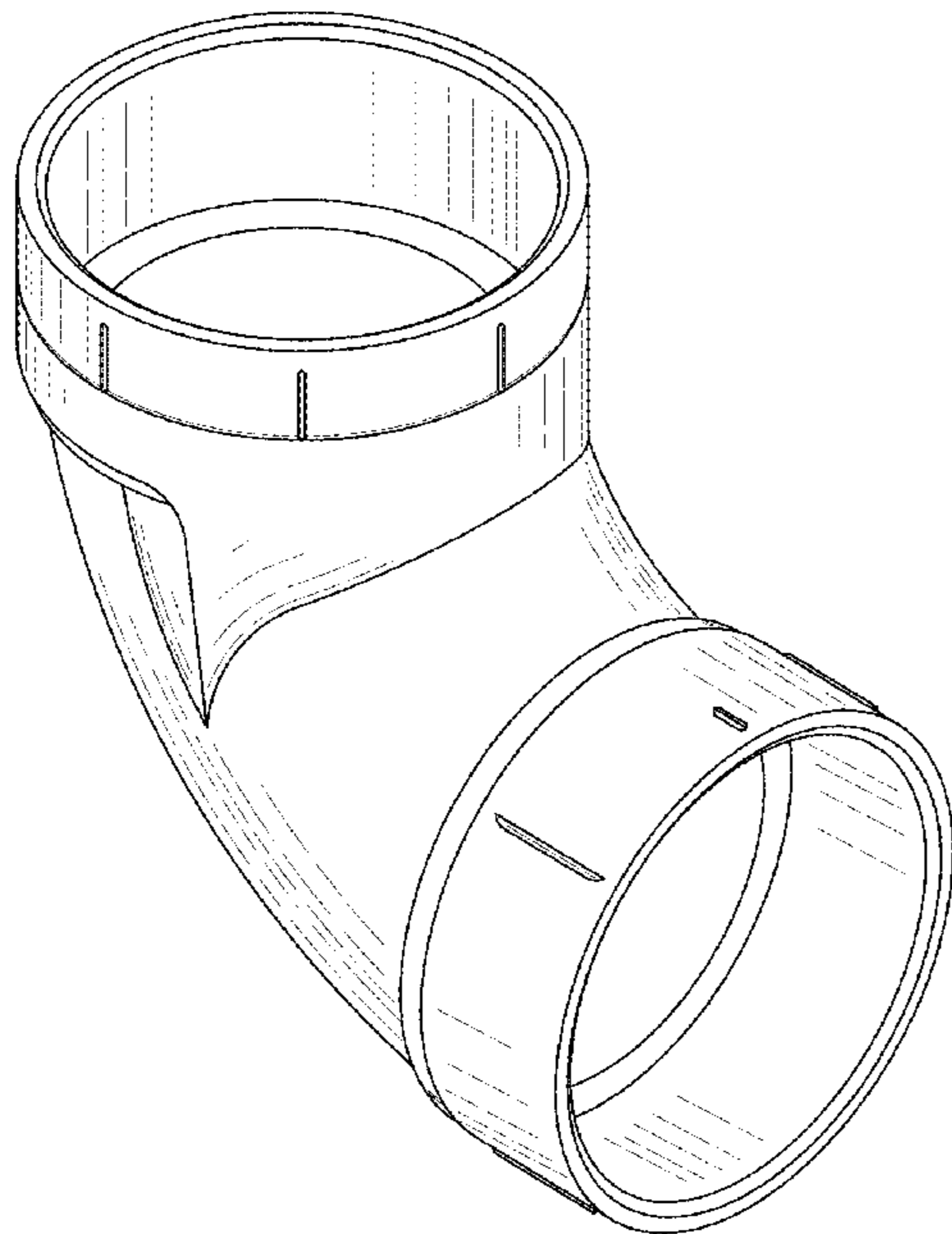
FIG. 4 is a rear view thereof;

FIG. 5 is a left side view thereof;

FIG. 6 is a top view thereof; and,

FIG. 7 is a bottom view thereof.

1 Claim, 7 Drawing Sheets



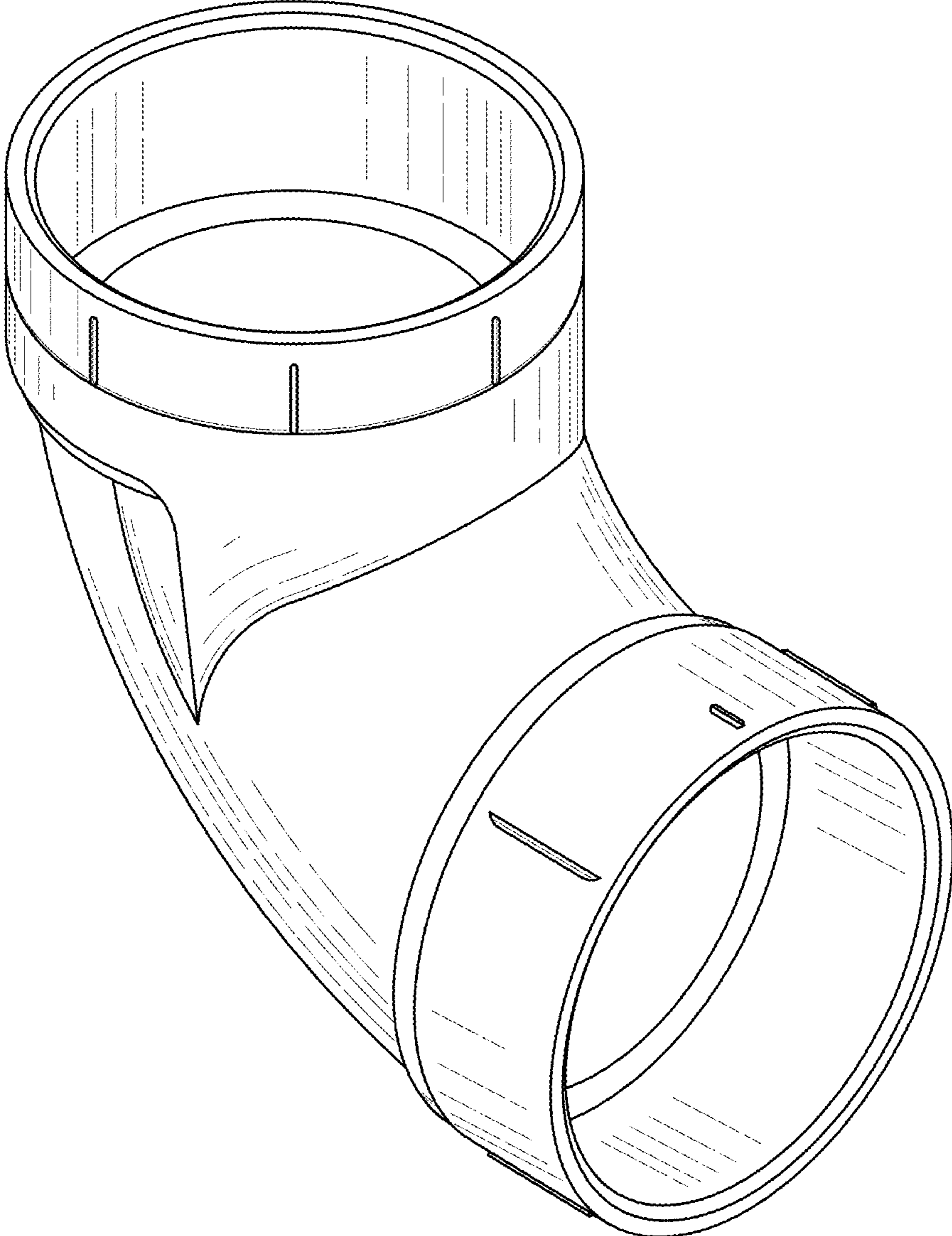


FIG. 1

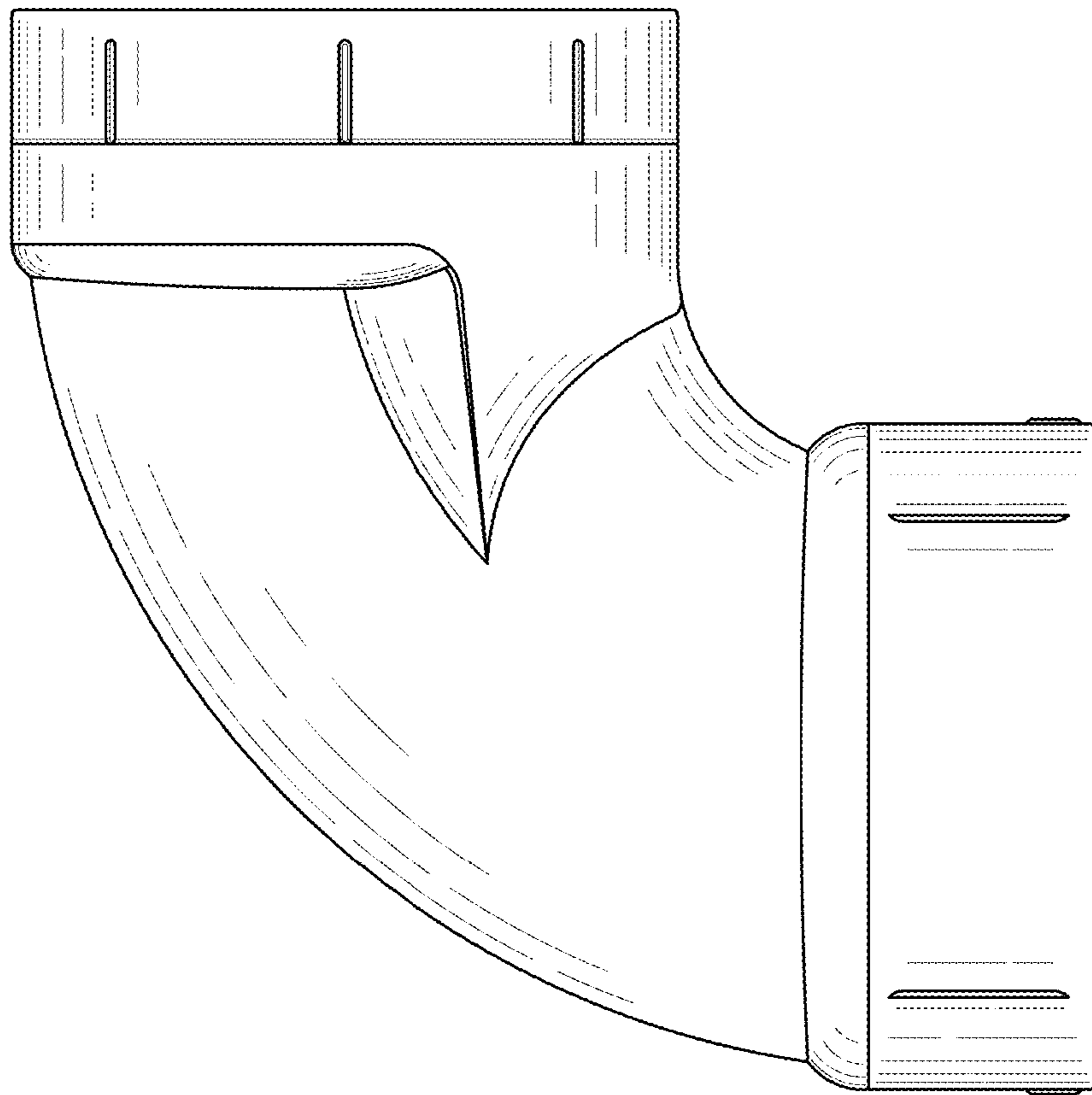


FIG. 2

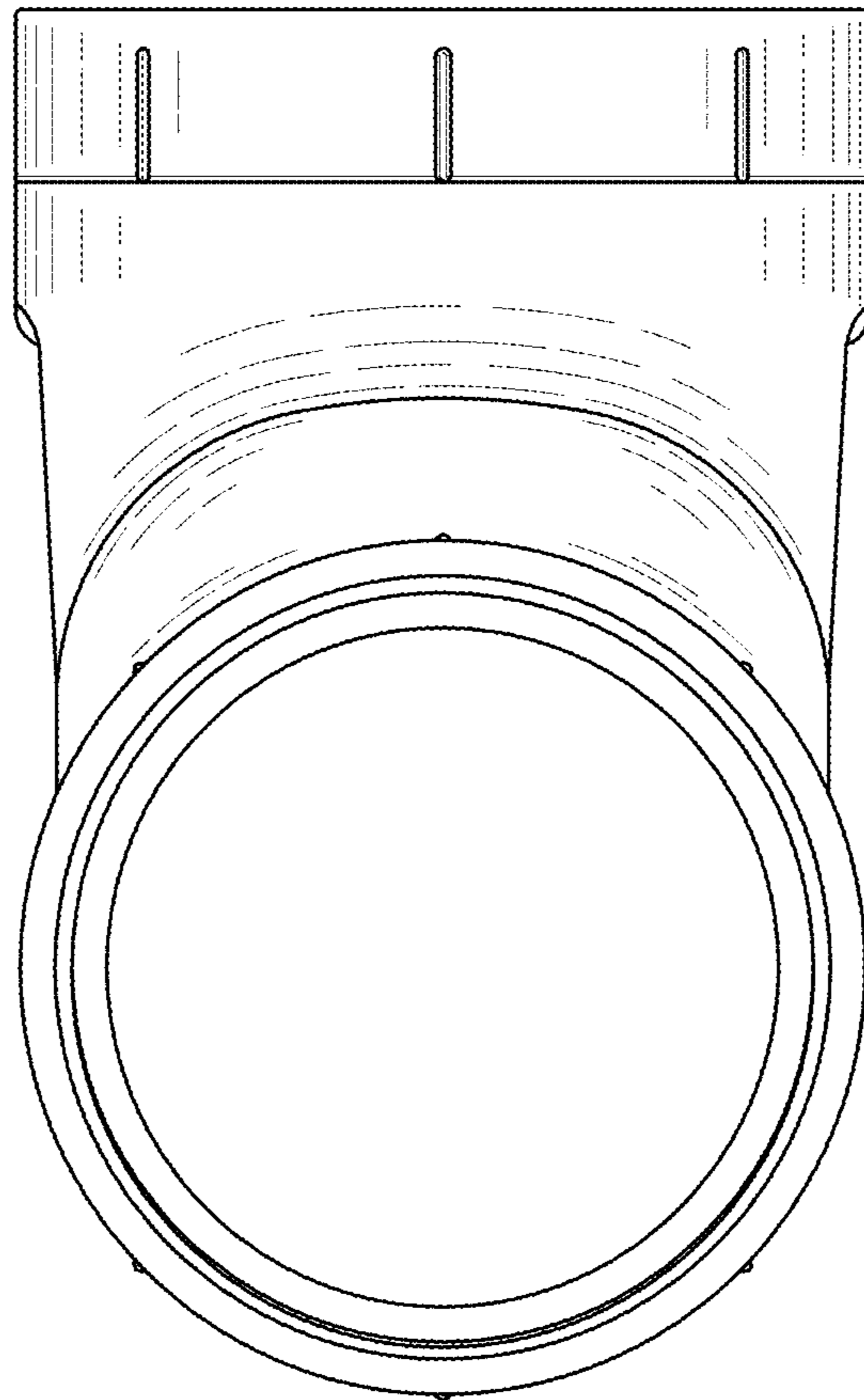


FIG. 3

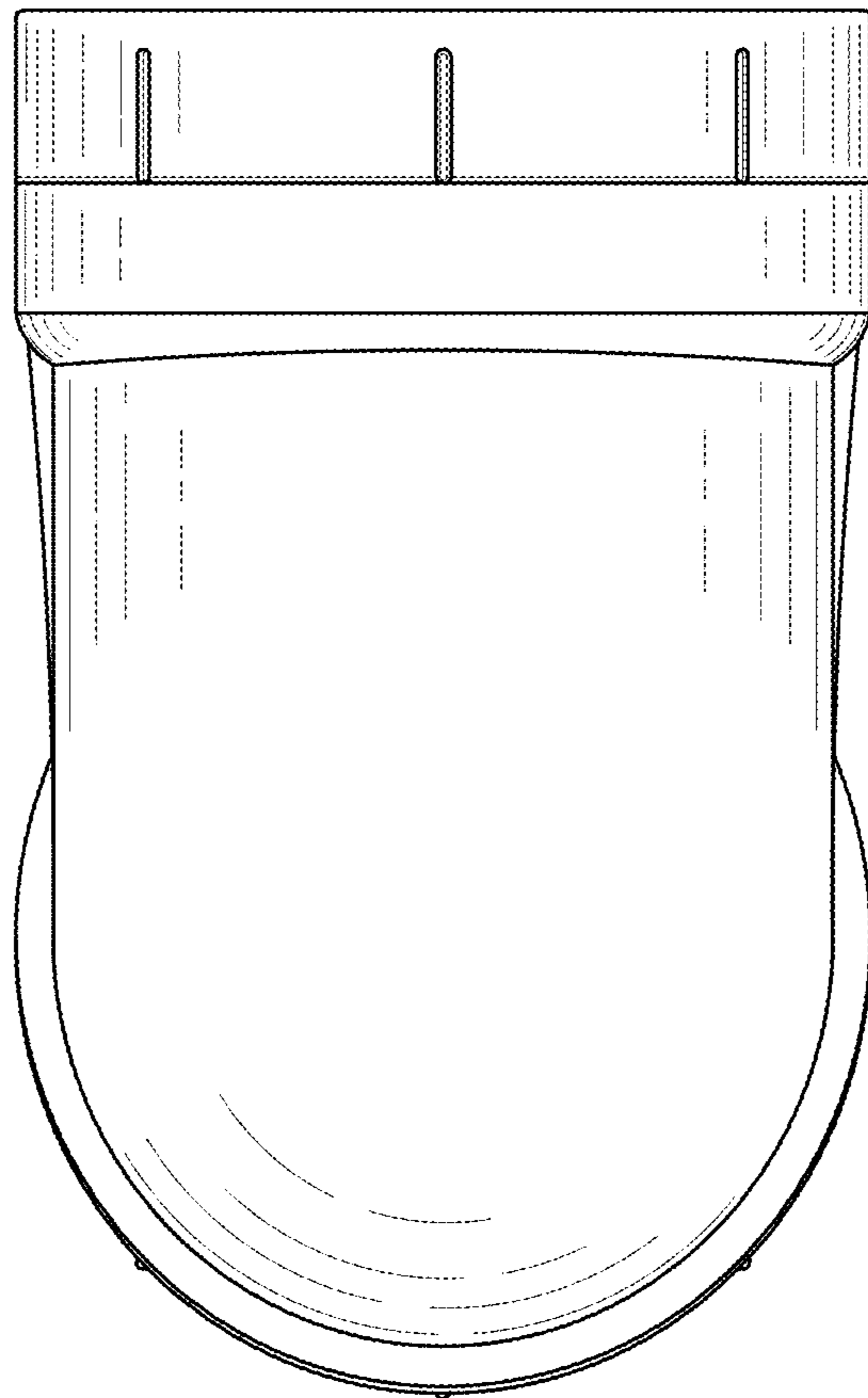


FIG. 4

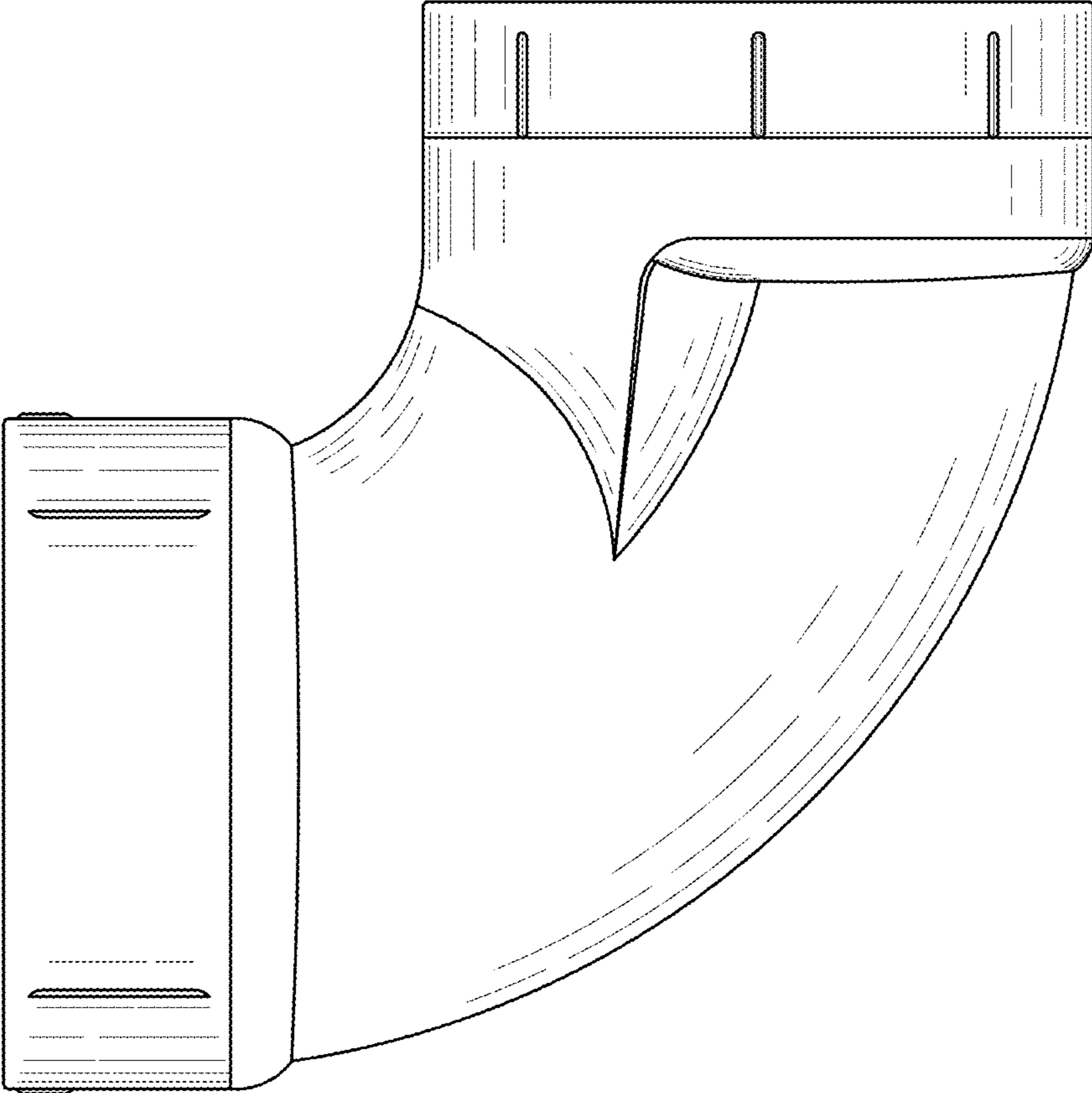


FIG. 5

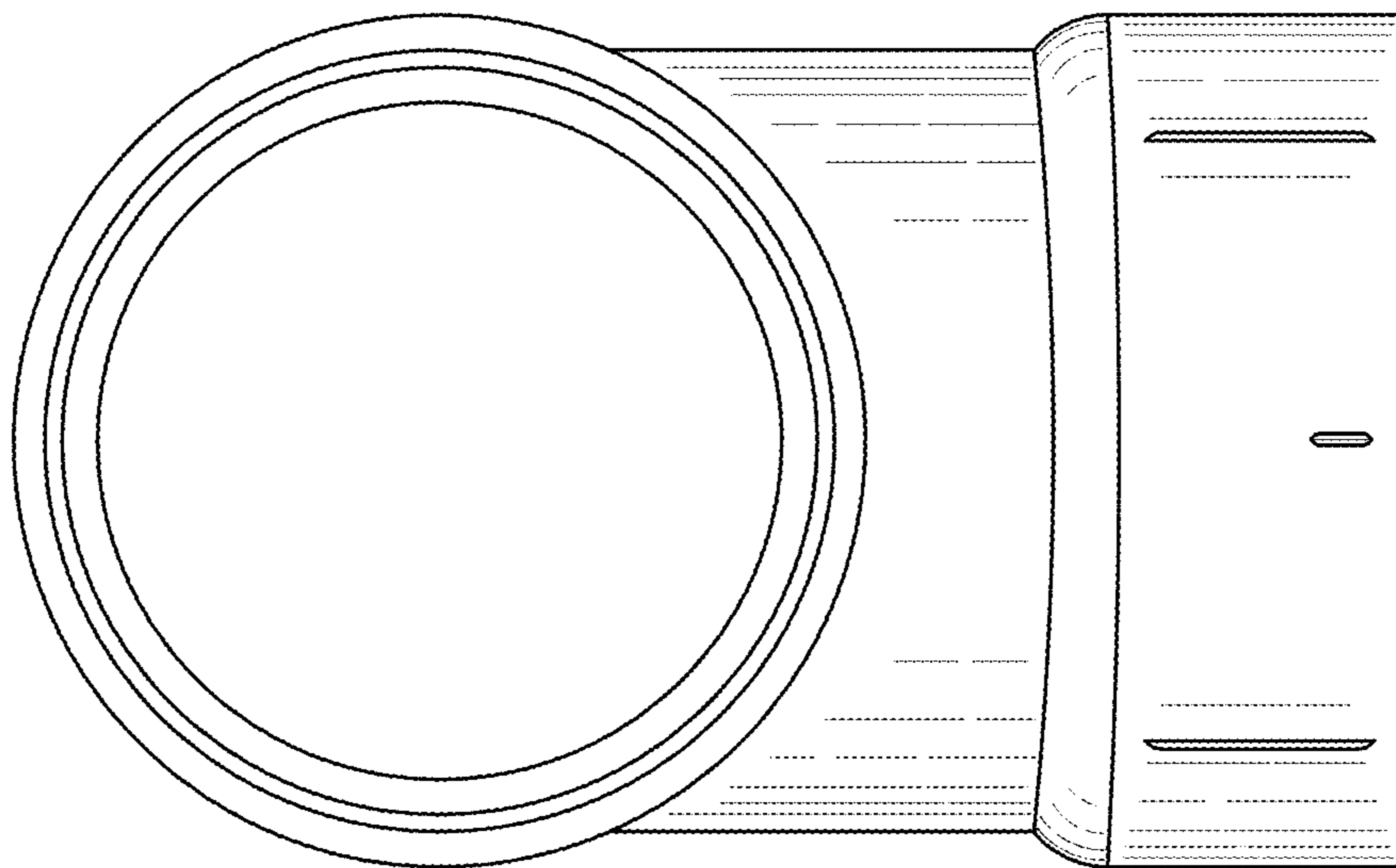


FIG. 6

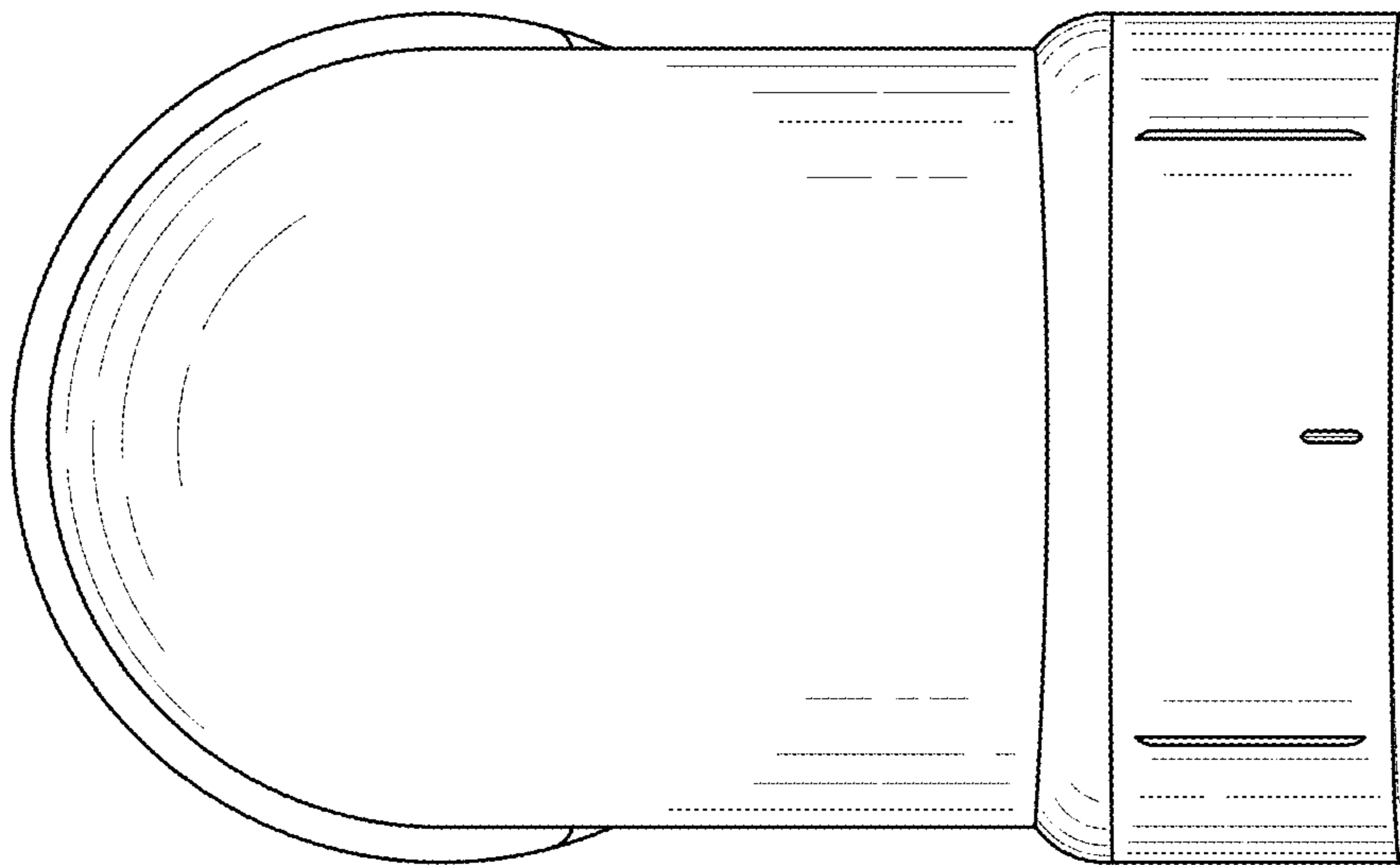


FIG. 7