



US00D771779S

(12) **United States Design Patent**
Scifres et al.

(10) **Patent No.:** **US D771,779 S**

(45) **Date of Patent:** **** Nov. 15, 2016**

(54) **T-FITTING**

(71) Applicant: **Lasco Fittings, Inc.**, Brownsville, TN (US)

(72) Inventors: **Robert P. Scifres**, Brownsville, TN (US); **David A. McAllister**, Lakeland, TN (US)

(73) Assignee: **Lasco Fittings, Inc.**, Brownsville, TN (US)

(**) Term: **14 Years**

(21) Appl. No.: **29/526,361**

(22) Filed: **May 8, 2015**

(51) **LOC (10) Cl.** **23-01**

(52) **U.S. Cl.**
USPC **D23/263**

(58) **Field of Classification Search**
USPC D23/233, 259–264, 266, 268
CPC F16L 19/041; F16L 21/08; F16L 37/252;
F16L 41/007; F16L 43/001; F16L 41/021;
F16L 25/14; F16L 17/32; F16B 7/0426;
F16B 11/00; F16B 11/008; E03C 1/26;
E03C 1/262; E03C 1/28; E03C 1/284;
E03F 5/04; A61B 5/00; A61M 25/09016;
H02G 3/06

See application file for complete search history.

(56) **References Cited**

U.S. PATENT DOCUMENTS

D135,633 S * 5/1943 Stark et al. D23/263
D163,487 S * 5/1951 Schuckack D23/263

D389,562 S * 1/1998 Picton D23/263
D454,940 S * 3/2002 Hoenig D23/259
D480,786 S * 10/2003 Wilk, Jr. D23/263
D481,109 S * 10/2003 Dole D23/263
D481,110 S * 10/2003 Snyder, Sr. D23/263
D516,686 S * 3/2006 Wilk, Jr. D23/262
D517,176 S * 3/2006 Wilk, Jr. D23/262
D630,305 S * 1/2011 Adams D23/259
D634,819 S * 3/2011 Leroyer D23/263
D656,225 S * 3/2012 Dole D23/263
D676,942 S * 2/2013 Kluss D23/263
D743,511 S * 11/2015 Bednarz D23/263
D760,364 S * 6/2016 Angel D23/262
2016/0076677 A1 * 3/2016 Conrad B32B 5/22
285/294.1

* cited by examiner

Primary Examiner — Eric Goodman

Assistant Examiner — Amy Wierenga

(74) *Attorney, Agent, or Firm* — Shumaker, Loop & Kendrick, LLP

(57) **CLAIM**

We claim the ornamental design for a T-fitting, as shown and described.

DESCRIPTION

FIG. 1 is a front and right side perspective view of a T-fitting showing our new design;

FIG. 2 is a right side view thereof;

FIG. 3 is a front view thereof;

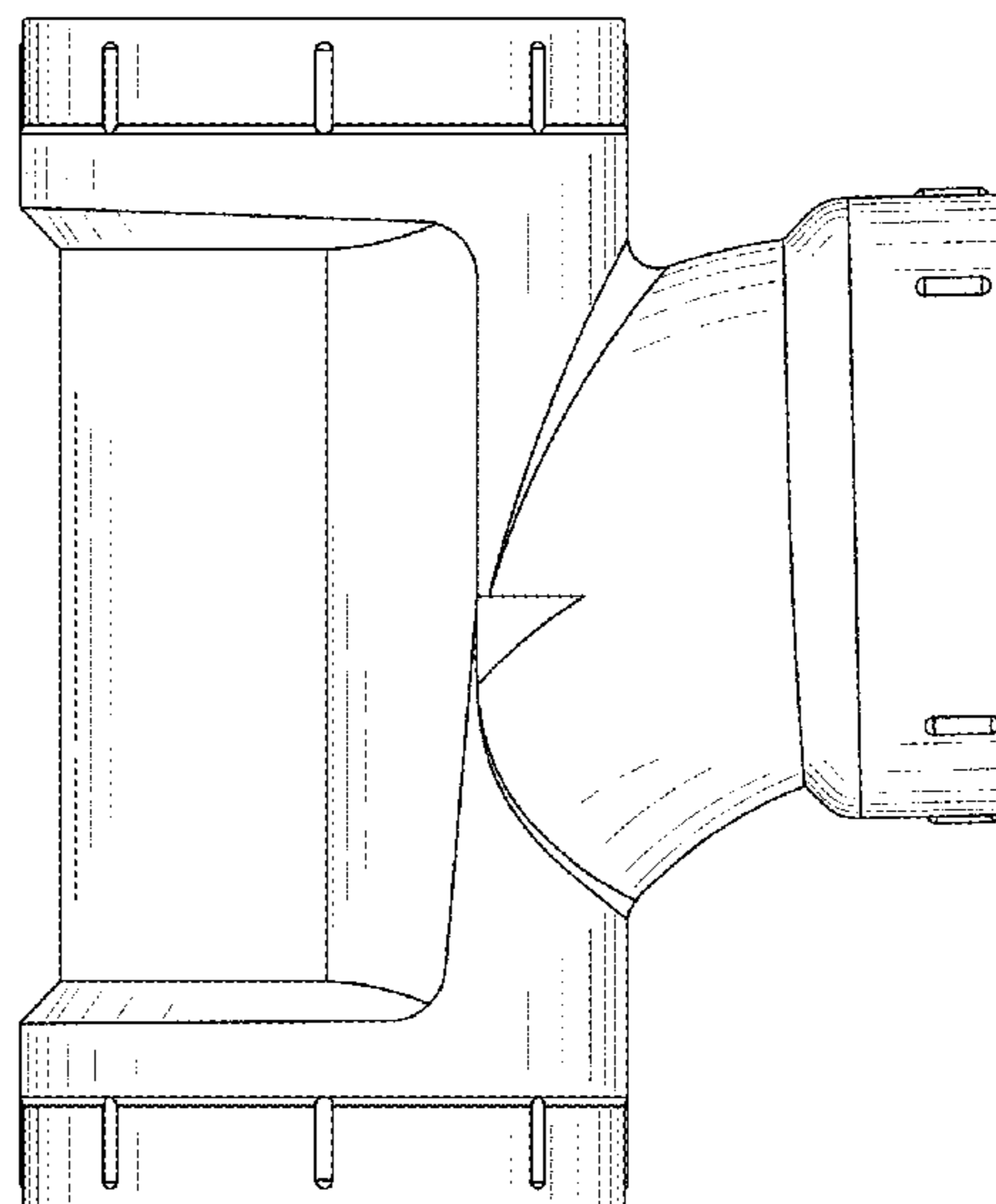
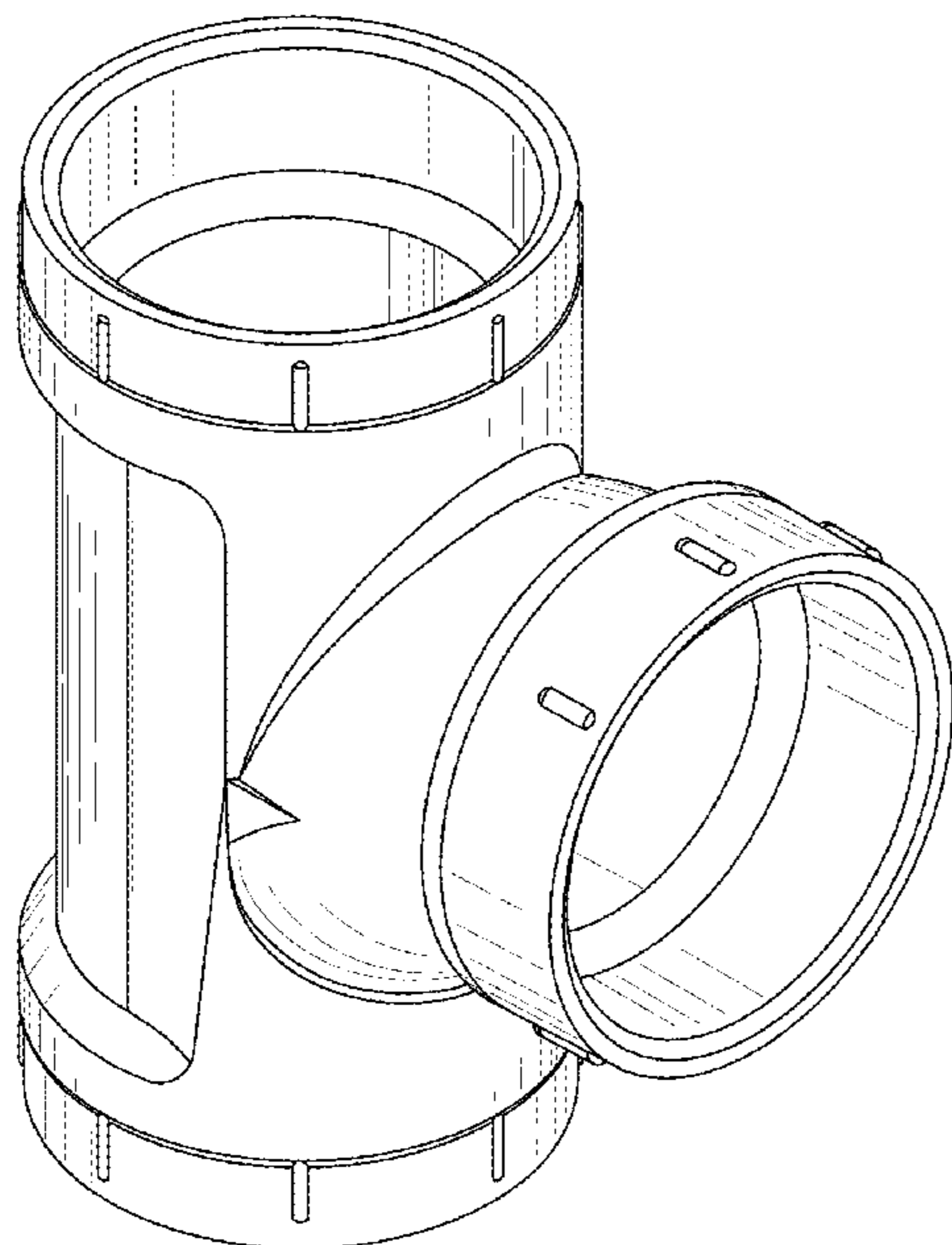
FIG. 4 is a rear view thereof;

FIG. 5 is a left side view thereof;

FIG. 6 is a top view thereof; and,

FIG. 7 is a bottom view thereof.

1 Claim, 7 Drawing Sheets



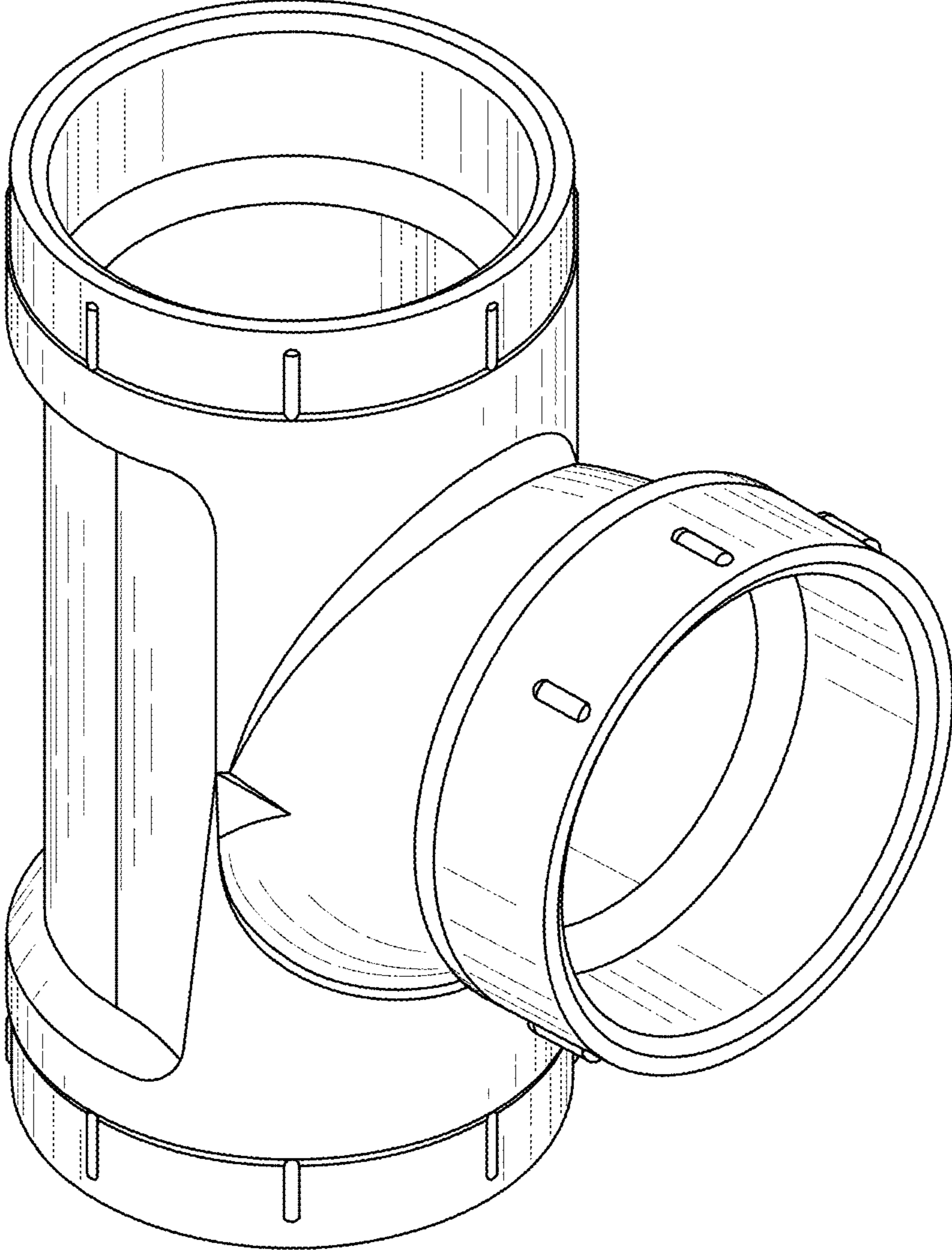


FIG. 1

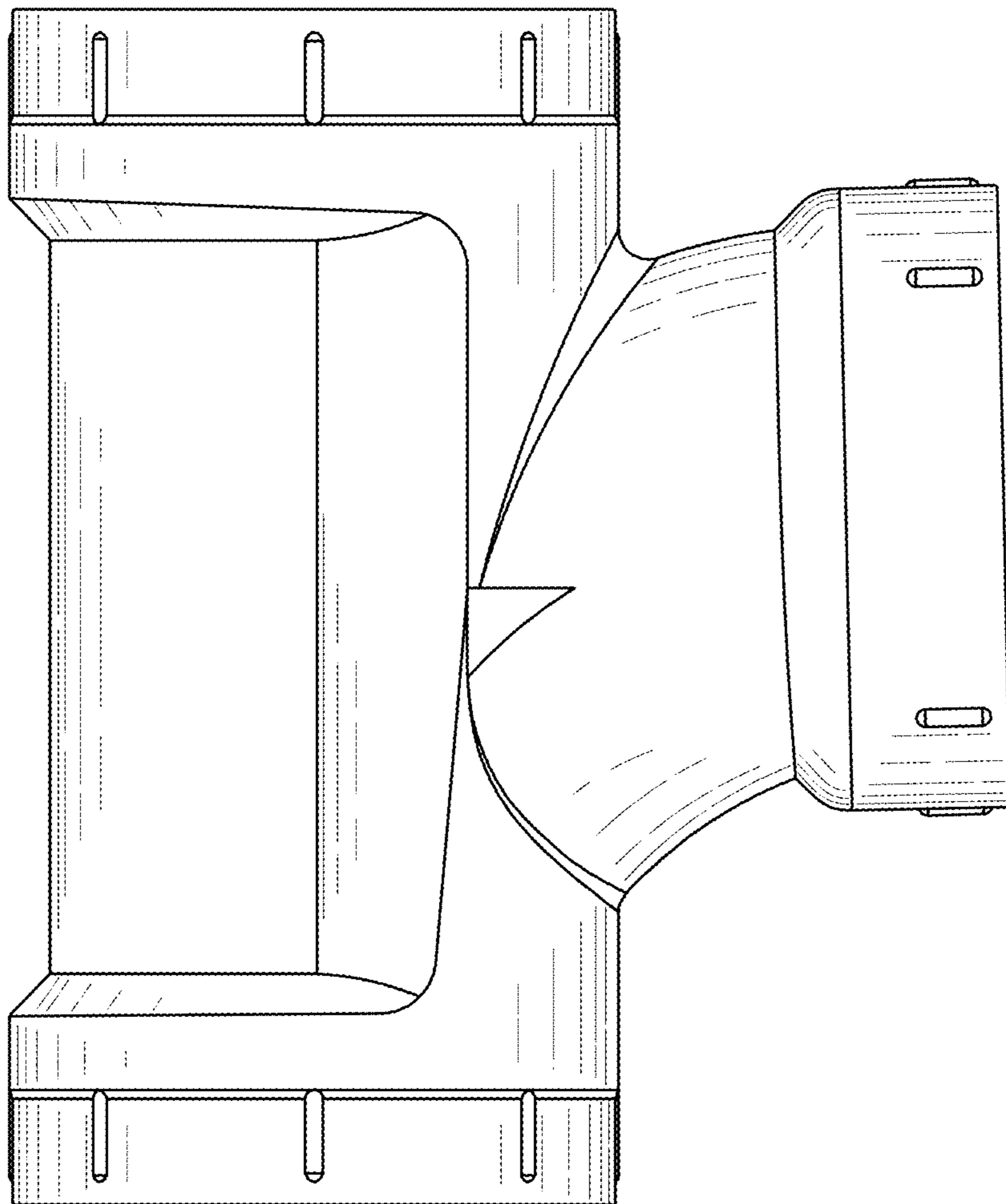


FIG. 2

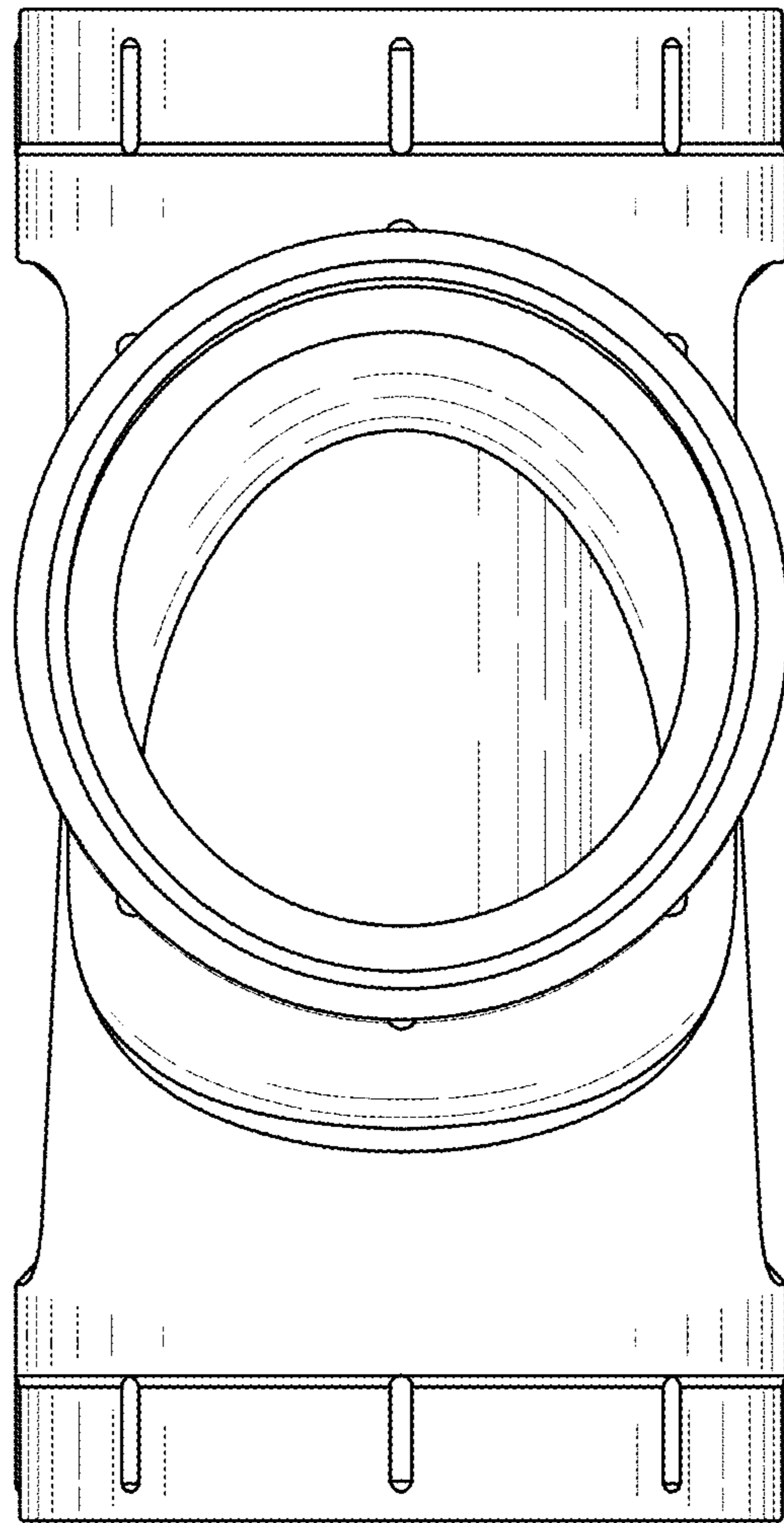


FIG. 3

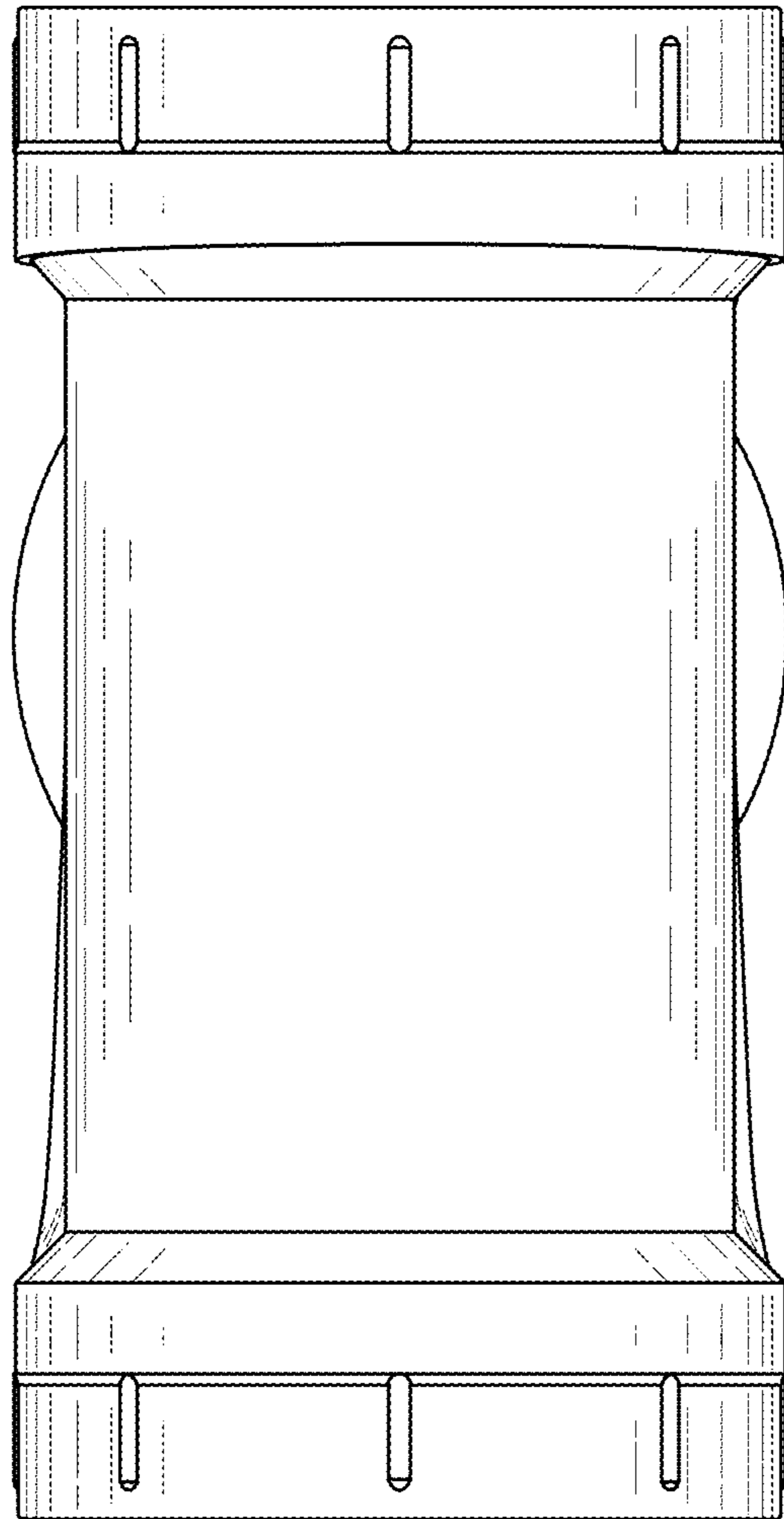


FIG. 4

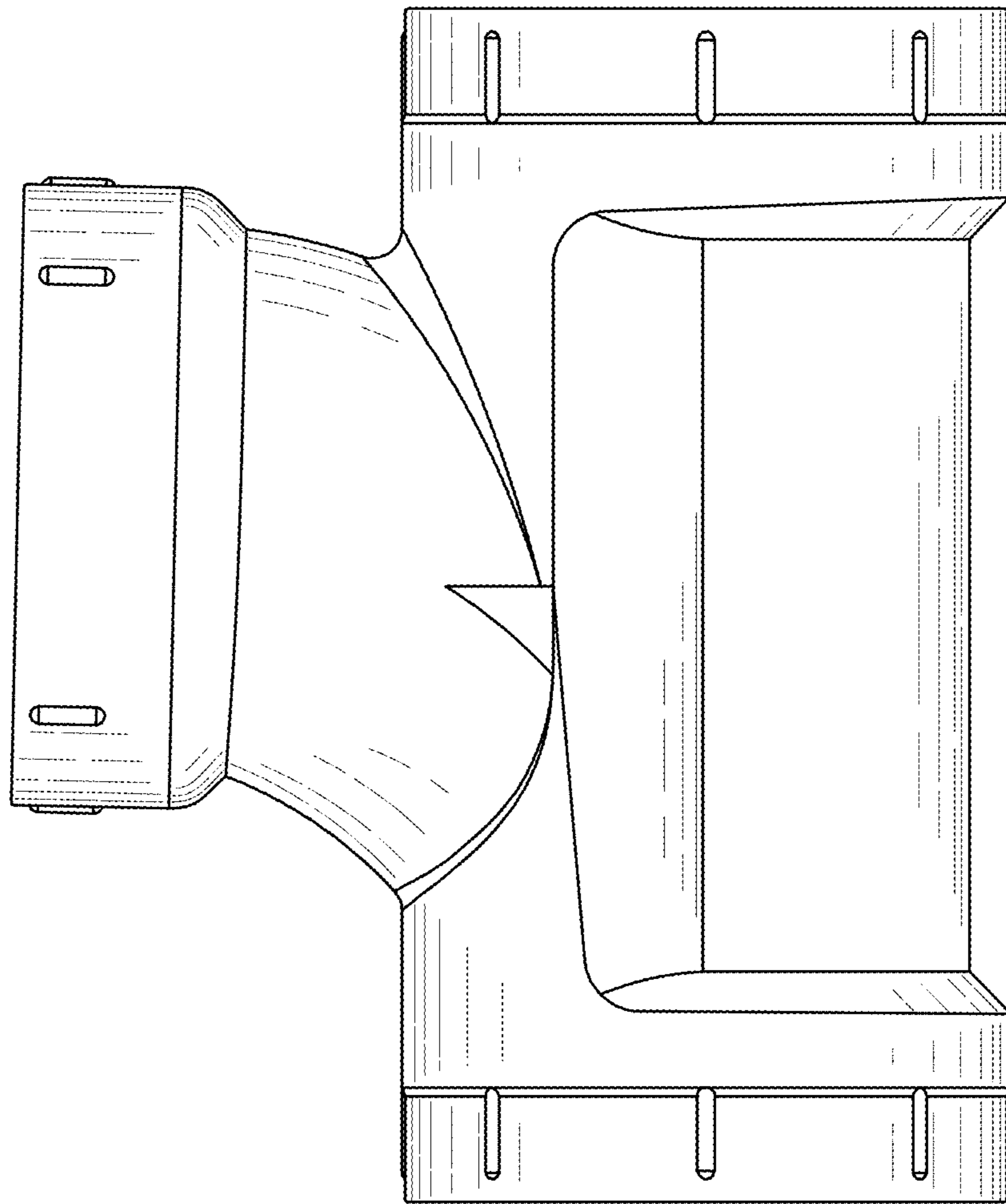


FIG. 5

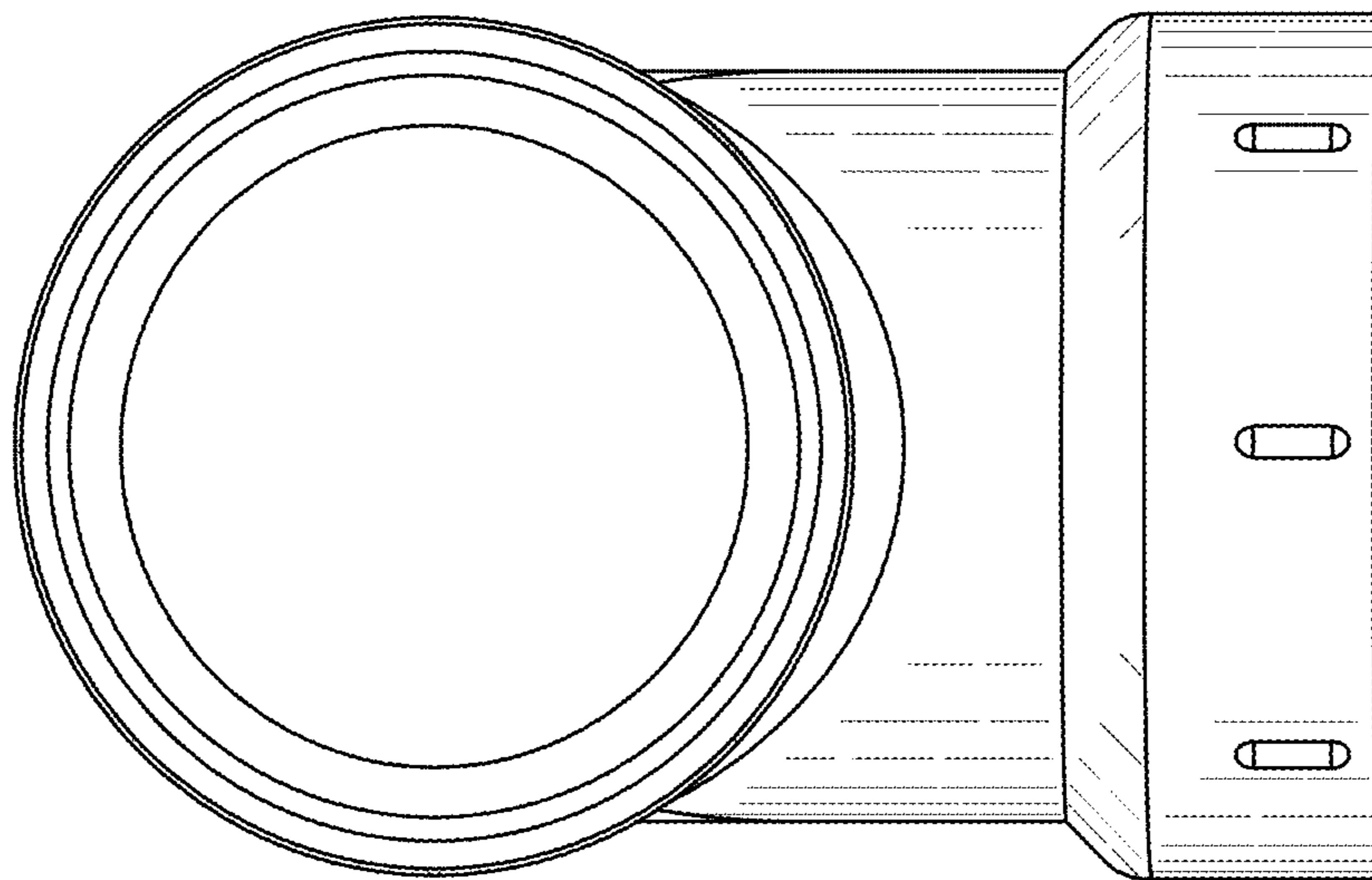


FIG. 6

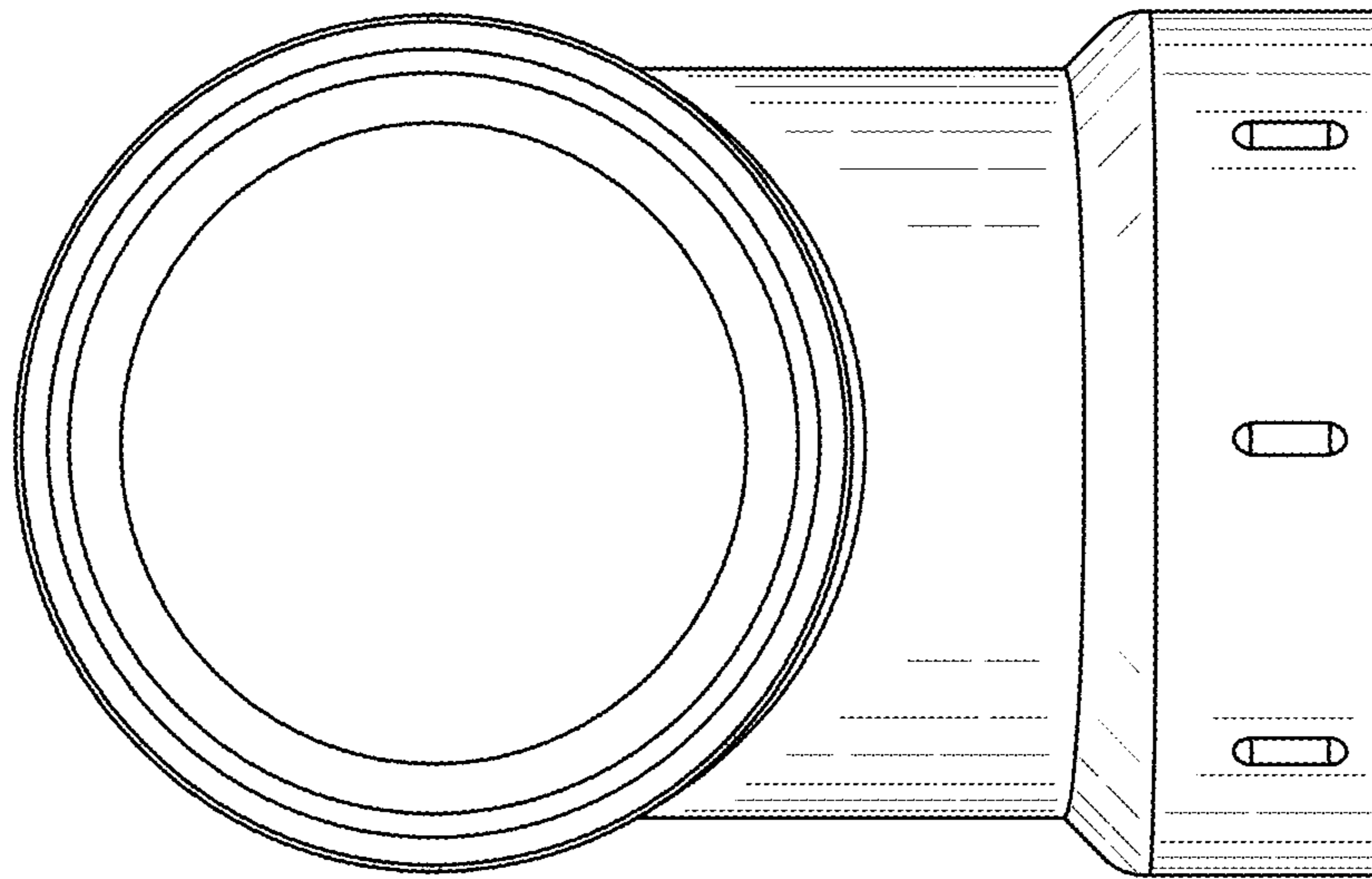


FIG. 7