

US00D771778S

(12) **United States Design Patent** (10) **Patent No.:** **US D771,778 S**  
**Hong** (45) **Date of Patent:** **\*\* Nov. 15, 2016**

(54) **SPOUT**  
(71) Applicant: **Kohler Co.**, Kohler, WI (US)  
(72) Inventor: **Zheyang Hong**, Sheboygan, WI (US)  
(73) Assignee: **KOHLER CO.**, Kohler, WI (US)  
(\*\*) Term: **15 Years**

D628,277 S 11/2010 Montgomery  
D636,467 S 4/2011 Schoenherr  
D644,303 S 8/2011 Slothower et al.  
D652,488 S 1/2012 Slothower et al.  
D661,374 S 6/2012 Slothower et al.  
D661,782 S 6/2012 Slothower et al.  
D667,533 S 9/2012 Lammel  
D713,941 S 9/2014 Hundley et al.  
D716,418 S 10/2014 Hundley et al.  
D719,643 S 12/2014 Sedwick

(21) Appl. No.: **29/565,883**  
(22) Filed: **May 25, 2016**

**OTHER PUBLICATIONS**

U.S. Appl. No. 29/519,942, filed Mar. 9, 2015.

**Related U.S. Application Data**

(62) Division of application No. 29/519,942, filed on Mar. 9, 2015.  
(51) **LOC (10) Cl.** ..... **23-01**  
(52) **U.S. Cl.**  
USPC ..... **D23/255**  
(58) **Field of Classification Search**  
USPC ..... D23/238-243, 249-250, 252, 254-255,  
D23/257  
CPC ..... E03C 1/04; E03C 1/0401; E03C 1/0402;  
E03C 1/0404; F16K 31/602; F16K 31/605;  
F16K 31/607  
See application file for complete search history.

*Primary Examiner* — Robert Delehanty

(74) *Attorney, Agent, or Firm* — Foley & Lardner LLP

(57) **CLAIM**

I claim the ornamental design for a spout, as shown and described.

**DESCRIPTION**

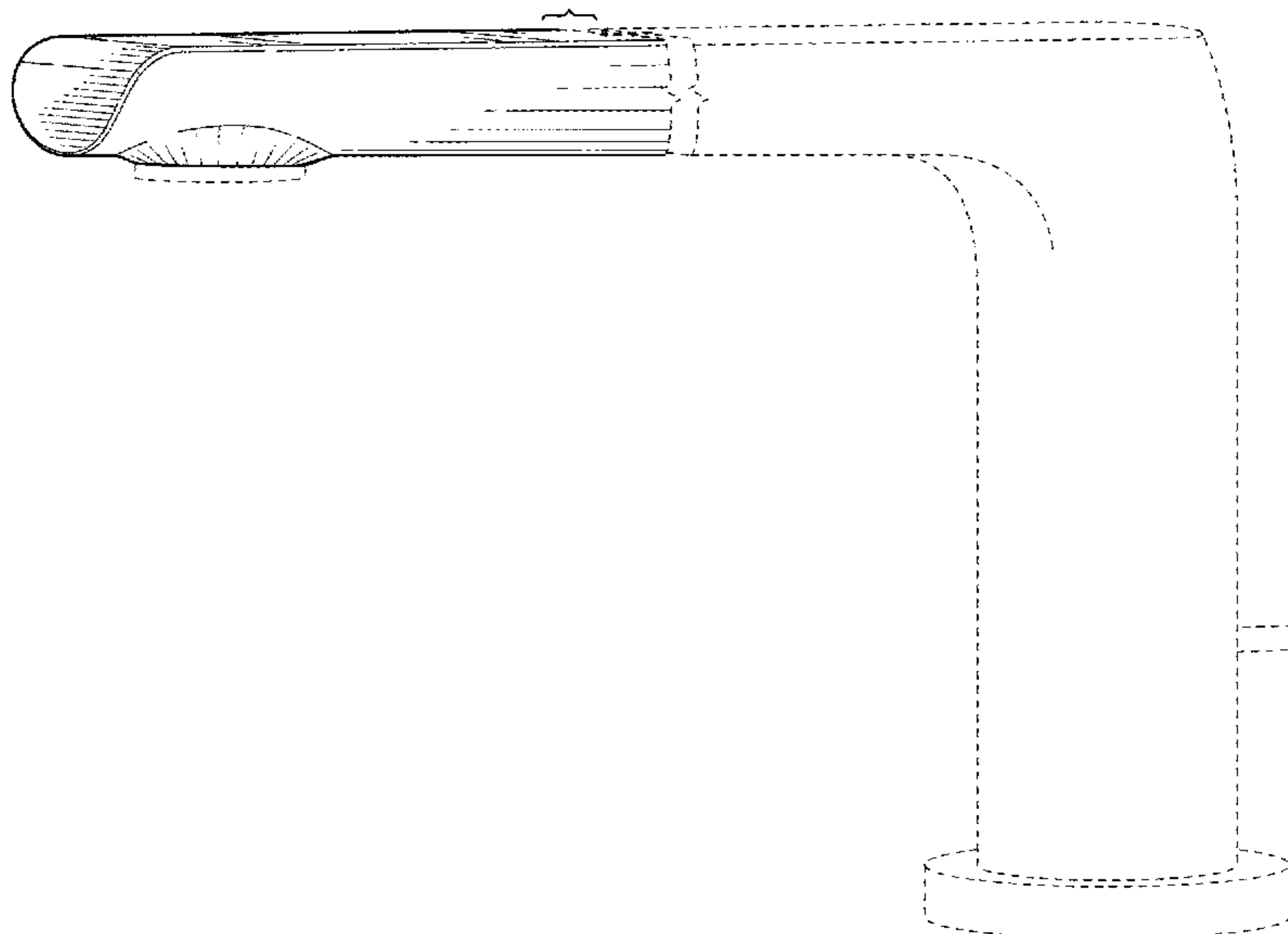
FIG. 1 is a top, front, right perspective view of an embodiment of the claimed design;  
FIG. 2 is a front elevation view thereof;  
FIG. 3 is a rear elevation view thereof;  
FIG. 4 is a left elevation view thereof;  
FIG. 5 is a right elevation view thereof;  
FIG. 6 is a top, plan view thereof; and,  
FIG. 7 is a bottom, plan view thereof.  
The ornamental design which is claimed is shown in solid lines in the drawings. The broken lines in the drawings are for illustrative purposes only and form no part of the claimed design. Broken lines formed by equal length dashes show unclaimed subject matter. Broken away symbols having a jagged element show that no particular length of the portion is claimed.

(56) **References Cited**

**U.S. PATENT DOCUMENTS**

D325,424 S 4/1992 Dannenberg  
D326,139 S 5/1992 Ragonot  
D462,421 S 9/2002 Hundley  
D550,812 S 9/2007 Haug  
D586,881 S 2/2009 Lammel  
D586,886 S 2/2009 Schoenherr  
D605,261 S 12/2009 Allard  
D615,162 S 5/2010 Pan

**1 Claim, 4 Drawing Sheets**



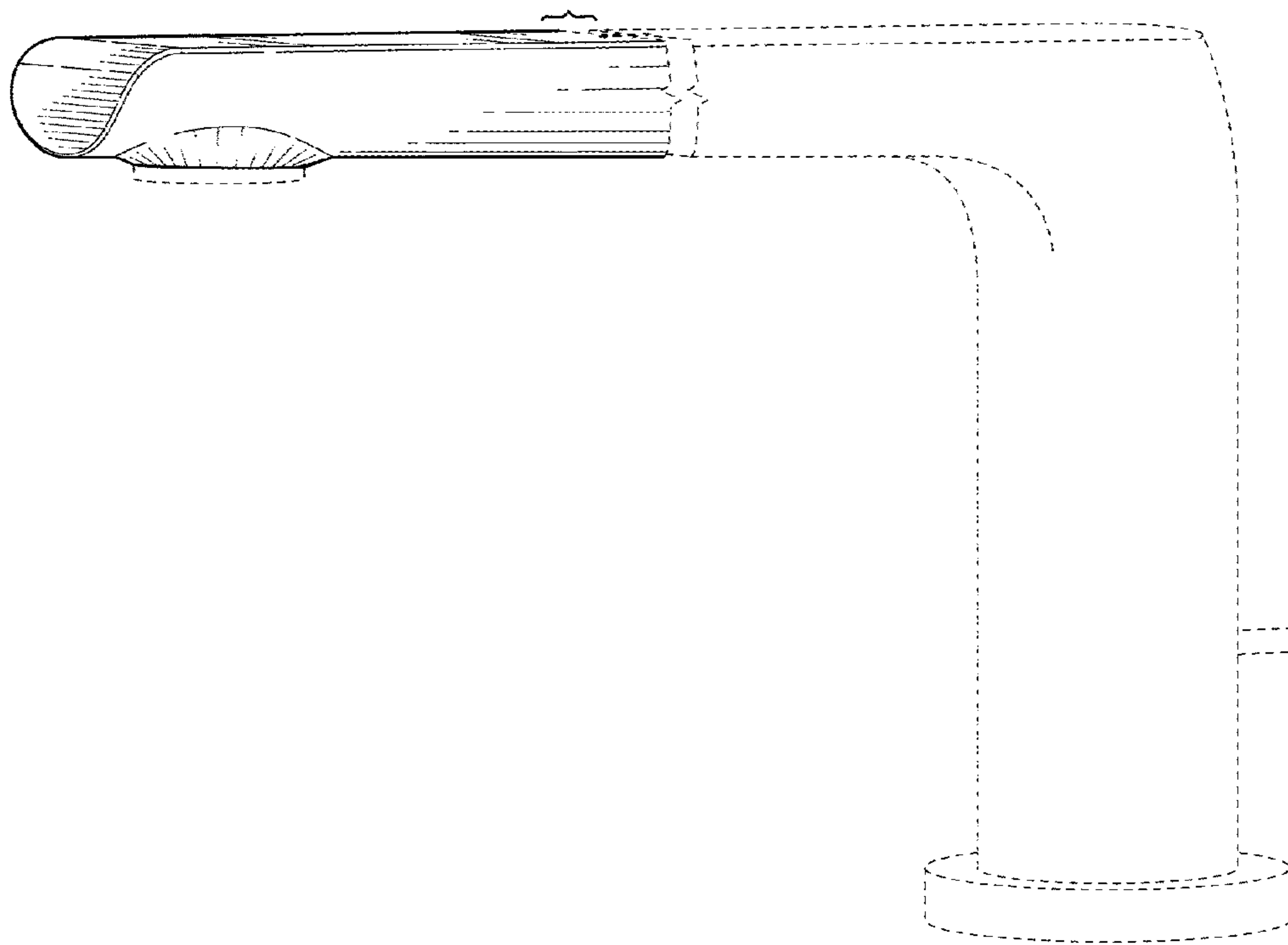


FIG. 1

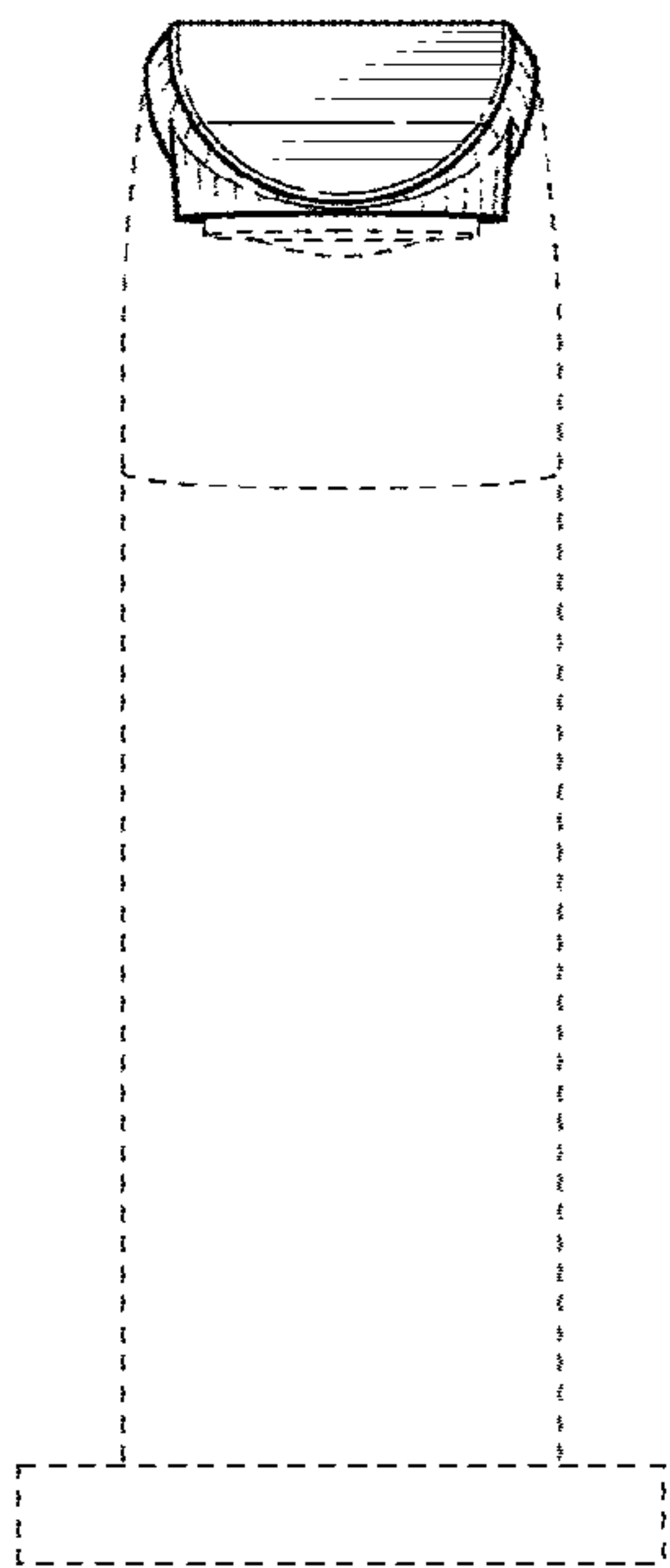


FIG. 2

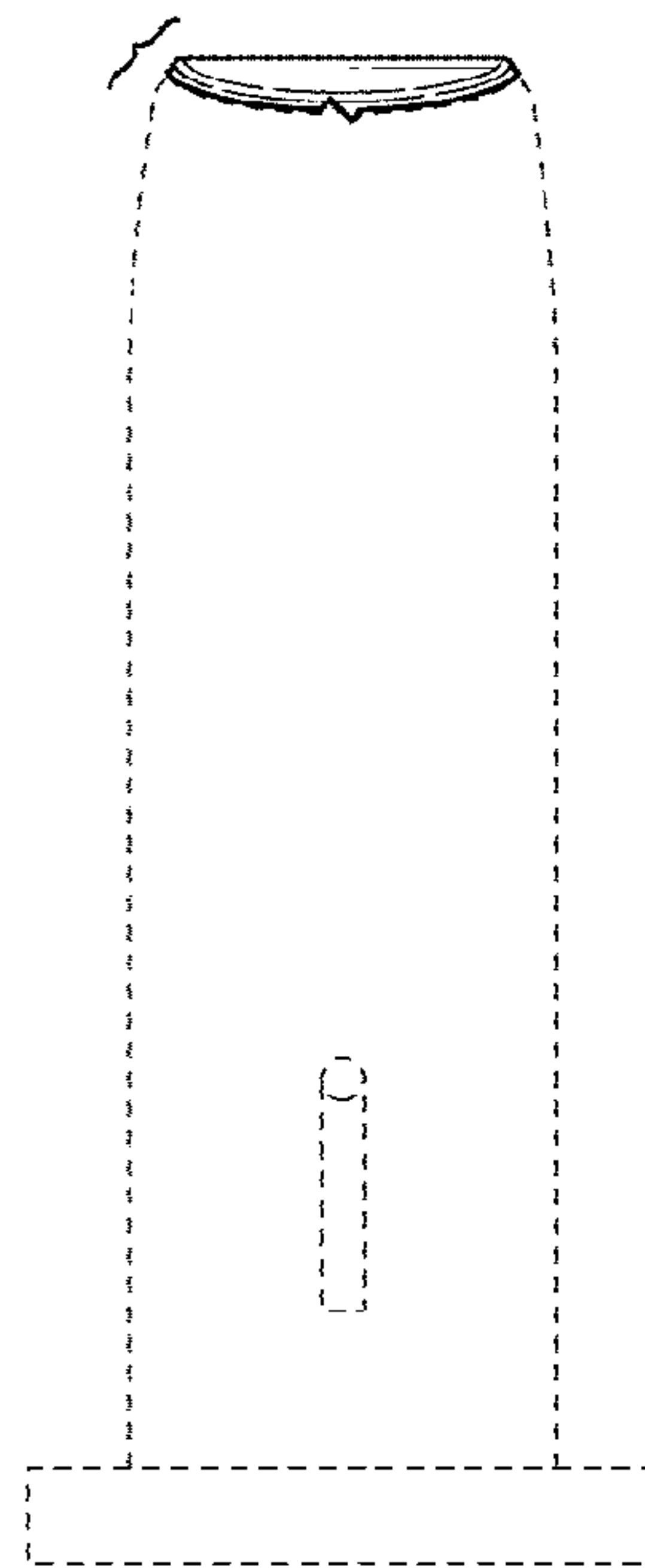


FIG. 3

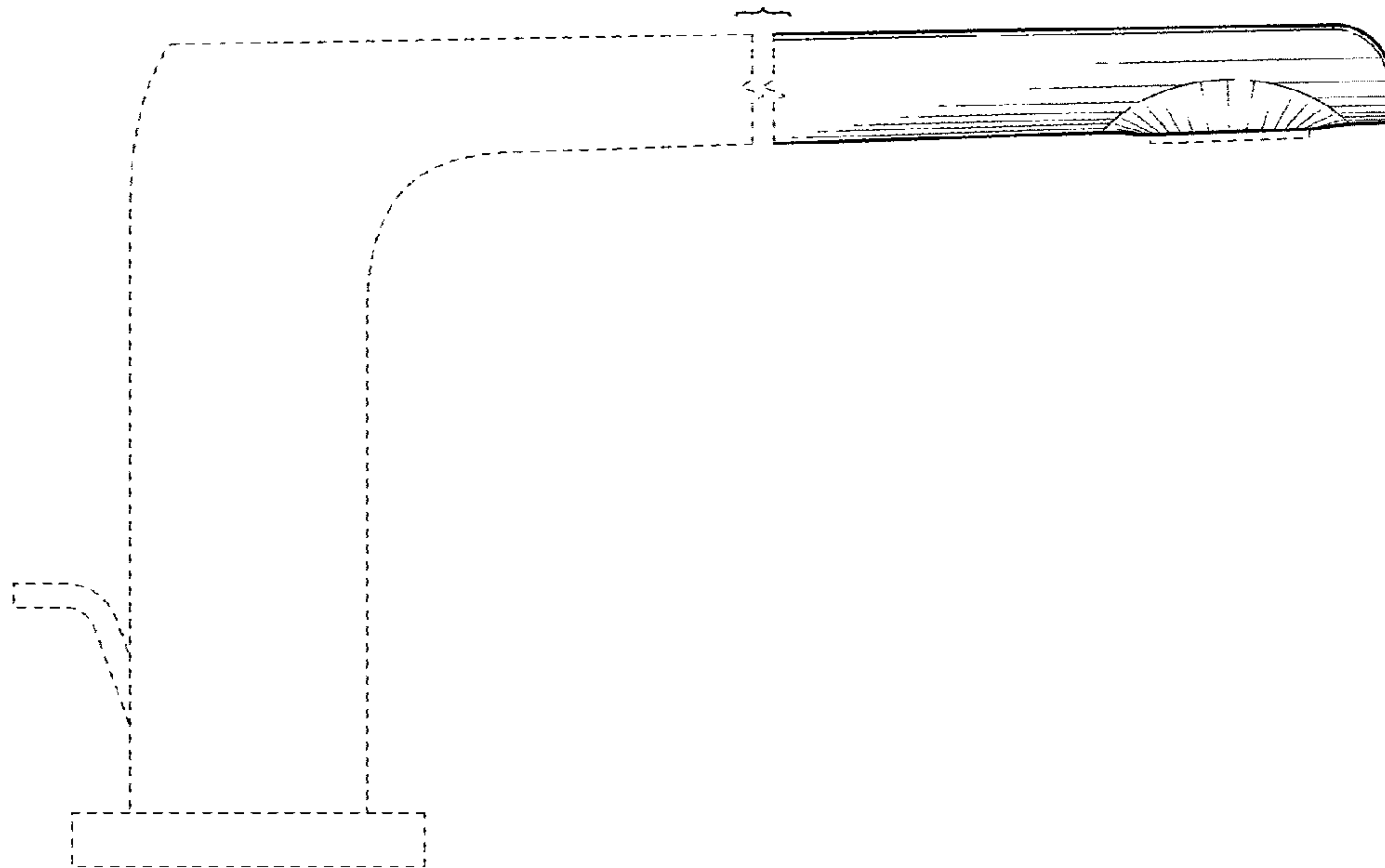


FIG. 4

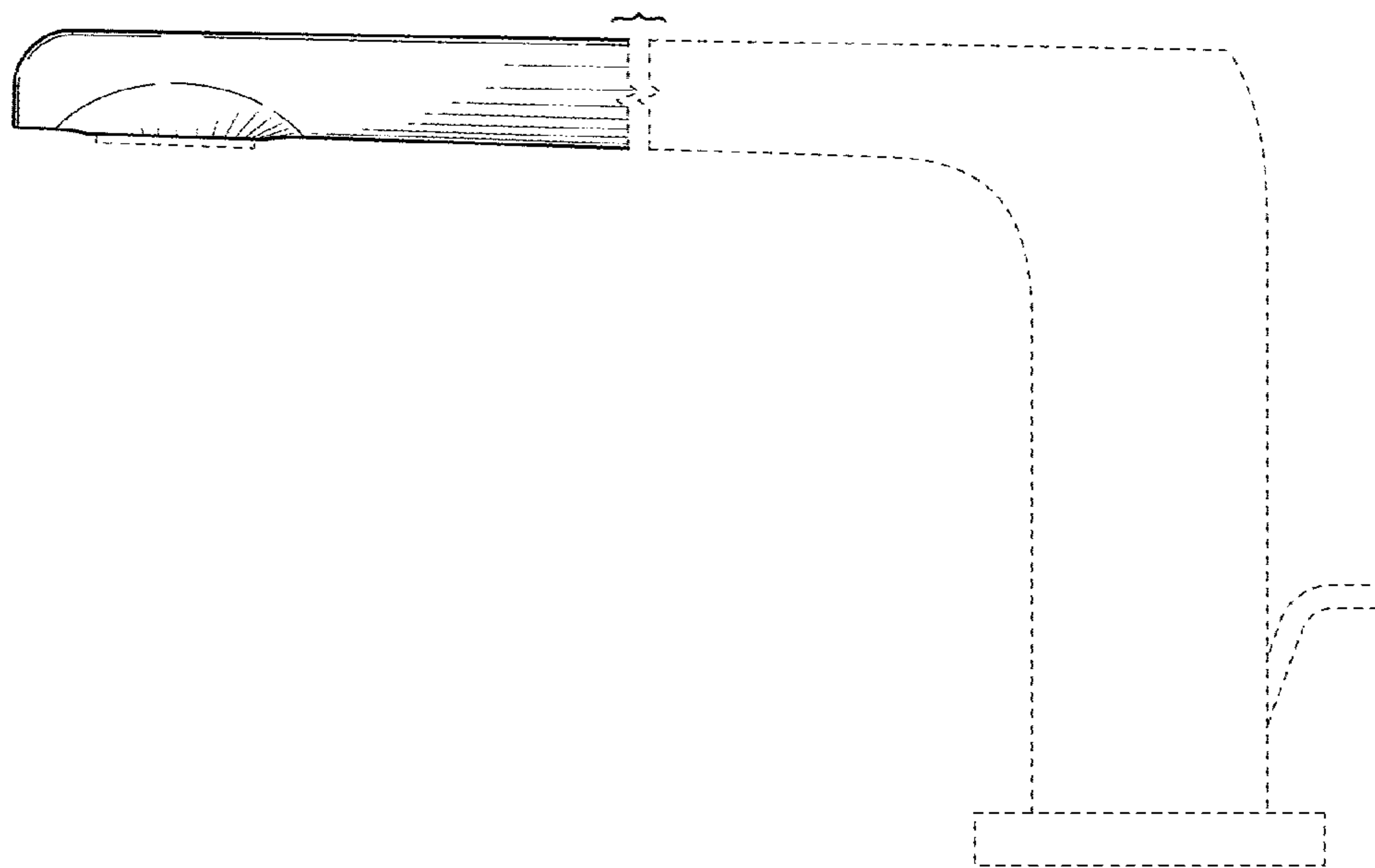


FIG. 5

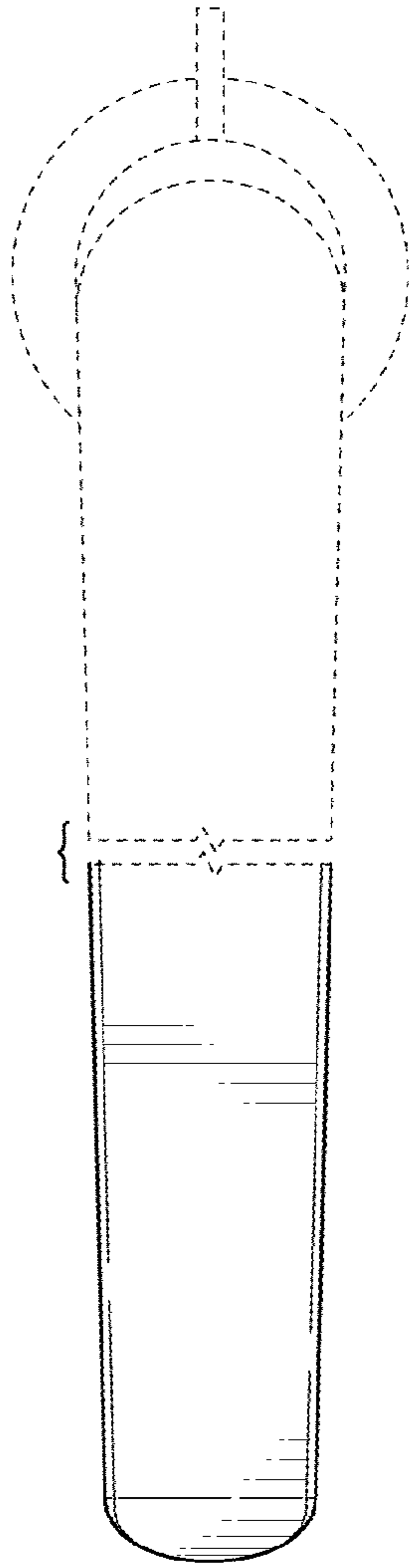


FIG. 6

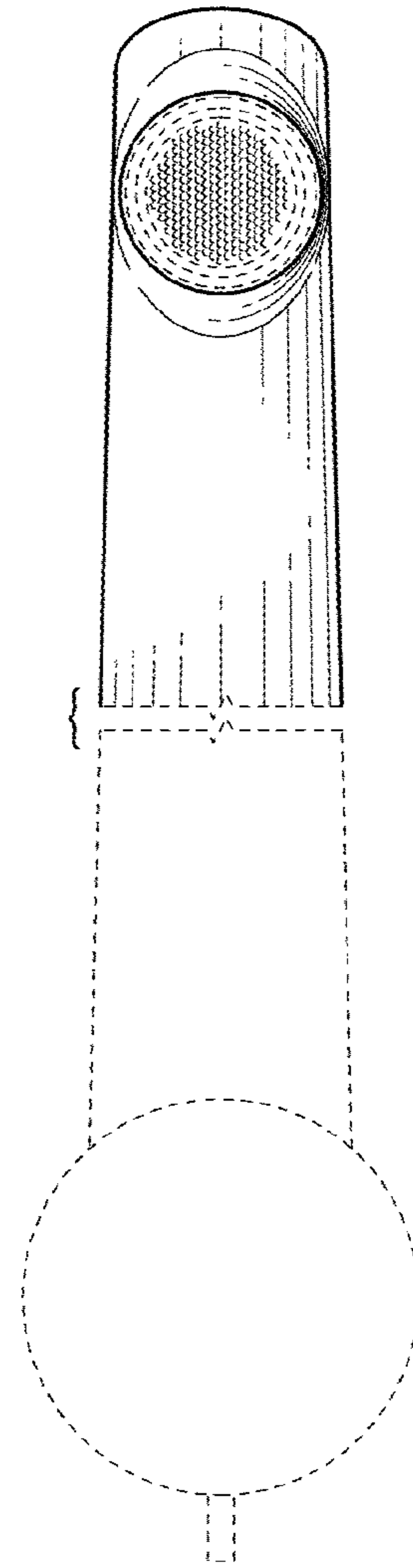


FIG. 7