



US00D771777S

(12) **United States Design Patent** (10) **Patent No.:** **US D771,777 S**
Slothower (45) **Date of Patent:** **** Nov. 15, 2016**

(54) **FAUCET**

OTHER PUBLICATIONS

(71) Applicant: **Kohler Co.**, Kohler, WI (US)

U.S. Office Action dated Feb. 16, 2016, from related U.S. Appl. No. 29/519,931.

(72) Inventor: **Anna-Pia K. Slothower**, Mill Valley, CA (US)

(Continued)

(73) Assignee: **KOHLER CO.**, Kohler, WI (US)

Primary Examiner — Robert Delehanty

(**) Term: **15 Years**

(74) *Attorney, Agent, or Firm* — Foley & Lardner LLP

(21) Appl. No.: **29/562,691**

(57) **CLAIM**

(22) Filed: **Apr. 28, 2016**

I claim the ornamental design for a faucet, as shown and described.

Related U.S. Application Data

DESCRIPTION

(62) Division of application No. 29/519,937, filed on Mar. 9, 2015, now Pat. No. Des. 764,636.

(51) **LOC (10) Cl.** **23-01**

(52) **U.S. Cl.**
USPC **D23/240**

(58) **Field of Classification Search**
USPC D23/238–243, 249–250, 252, 254
CPC E03C 1/04; E03C 1/0401; E03C 1/0402;
E03C 1/0404; F16K 31/602; F16K 31/605;
F16K 31/607
See application file for complete search history.

FIG. 1 is a perspective view of an embodiment of the claimed design;
FIG. 2 is a front view of the embodiment shown in FIG. 1;
FIG. 3 is a rear view of the embodiment shown in FIG. 1;
FIG. 4 is a side view of the embodiment shown in FIG. 1;
FIG. 5 is another side view of the embodiment shown in FIG. 1;
FIG. 6 is a top view of the embodiment shown in FIG. 1;
and,
FIG. 7 is a bottom view of the embodiment shown in FIG. 1.

(56) **References Cited**

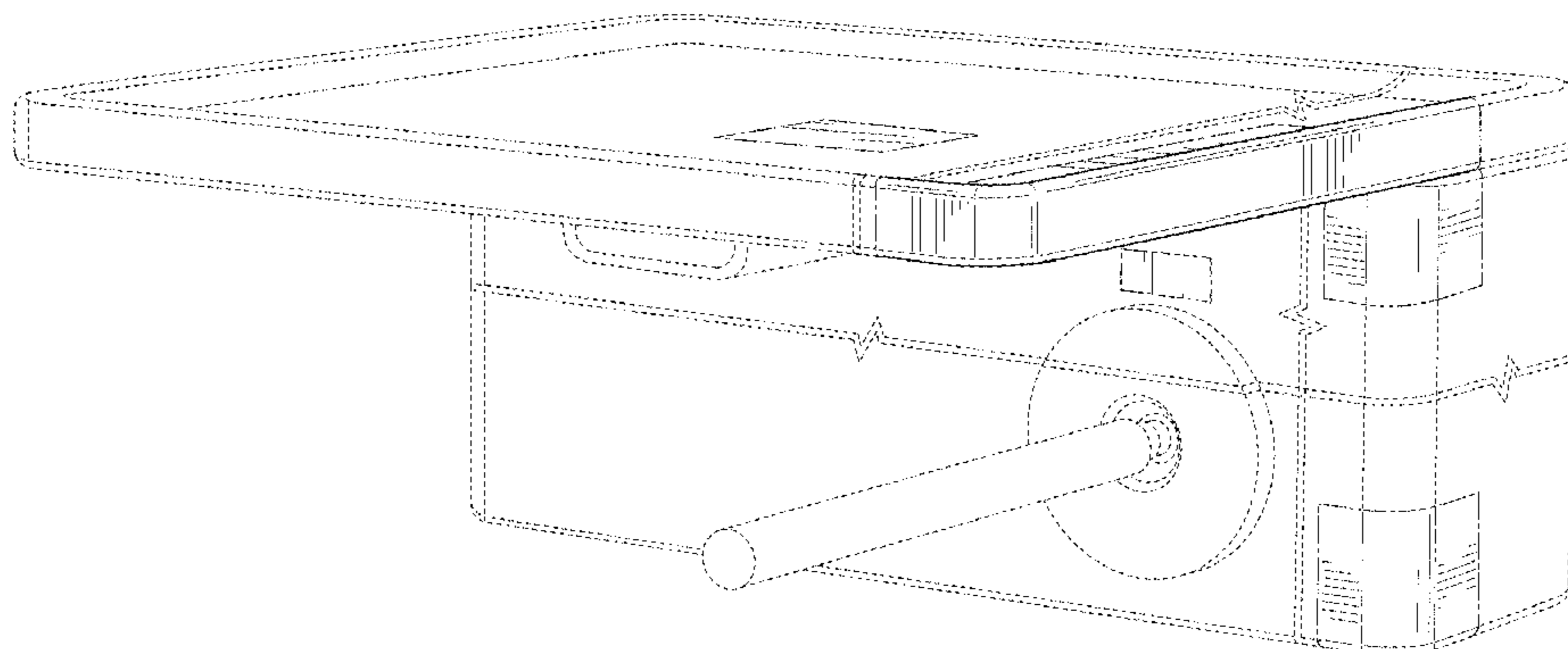
U.S. PATENT DOCUMENTS

D147,404 S	9/1947	Fitter
D149,388 S	4/1948	Stratmore
D153,907 S	5/1949	Smolensky
3,451,738 A	6/1969	Hobson
4,735,357 A	4/1988	Gregory et al.
4,823,414 A	4/1989	Piersimoni et al.
5,062,164 A	11/1991	Lee et al.
6,206,340 B1	3/2001	Paese et al.
D509,564 S	9/2005	Jorgensen
D511,821 S	11/2005	Loberger et al.
D514,664 S	2/2006	Starck

The ornamental design that is claimed is shown in the drawings as solid lines and surfaces having surface shading. The broken lines in the drawings are for illustrative purposes only and form no part of the claimed design. For example, broken lines formed by equal length dashes show unclaimed portions of the design. Broken lines formed of unequal length dashes (i.e., dash-dot) show boundaries between either claimed and unclaimed portions of the design or between unclaimed and unclaimed portions of the design. Break lines having a jagged element are not part of the claimed design and show that differing lengths of the portion are possible.

(Continued)

1 Claim, 6 Drawing Sheets



(56)

References Cited

U.S. PATENT DOCUMENTS

D527,085 S 8/2006 Loberger et al.
D528,637 S 9/2006 Massaud
D529,133 S 9/2006 Massaud
D529,134 S 9/2006 Massaud
D530,782 S 10/2006 Starck
D534,989 S 1/2007 Massaud
D536,767 S 2/2007 Massaud
D539,400 S 3/2007 Loberger et al.
7,406,722 B2 8/2008 Fukuizumi et al.
D580,524 S 11/2008 Starck
D610,242 S 2/2010 Loberger et al.
D614,273 S 4/2010 Loberger et al.

D617,877 S 6/2010 Bouroullec et al.
D622,360 S 8/2010 Bouroullec
D628,280 S 11/2010 Loberger et al.
D641,842 S 7/2011 Loberger et al.
D646,365 S 10/2011 Parekh
8,296,875 B2 10/2012 Loberger et al.
D677,364 S 3/2013 Schoenherr et al.
D677,365 S 3/2013 Schoenherr et al.
D692,535 S 10/2013 Kington
D708,712 S 7/2014 Yu
8,857,786 B2 10/2014 Bayley et al.

OTHER PUBLICATIONS

U.S. Office Action dated Feb. 18, 2016, from related U.S. Appl. No. 29/519,935.

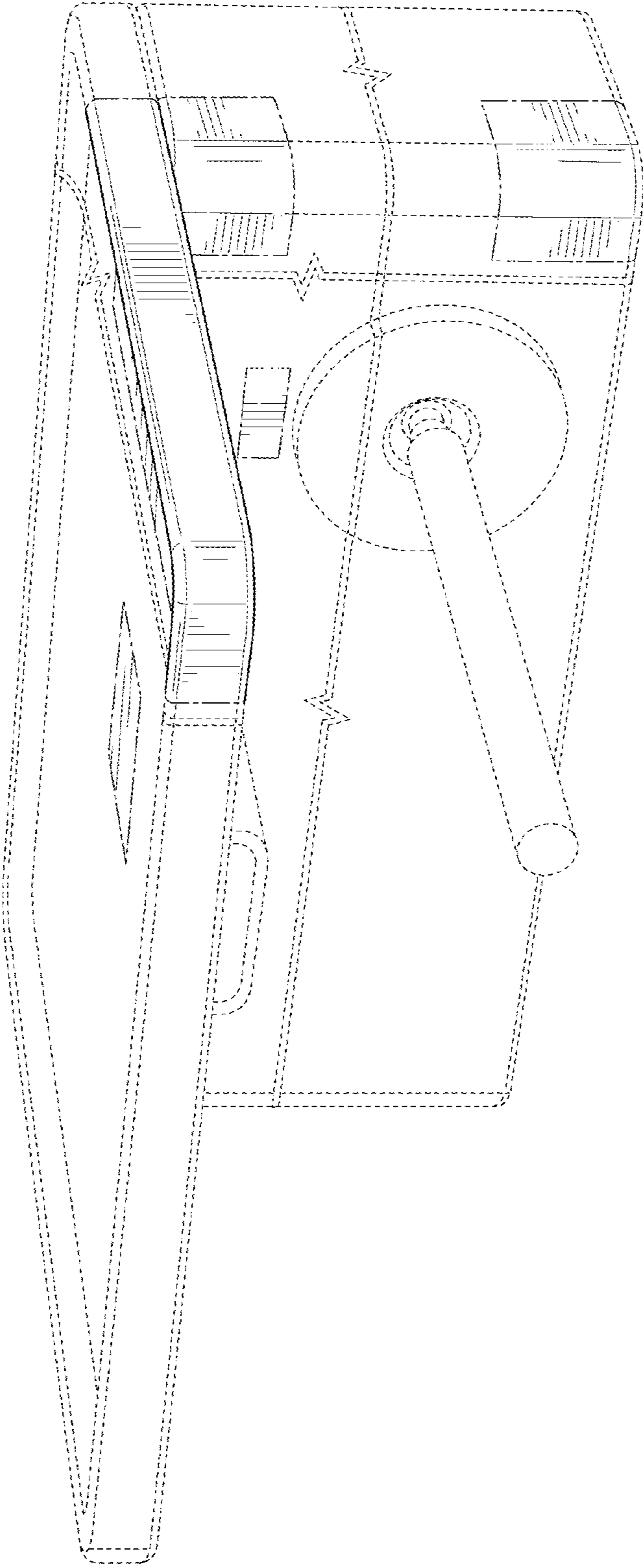


FIG. 1

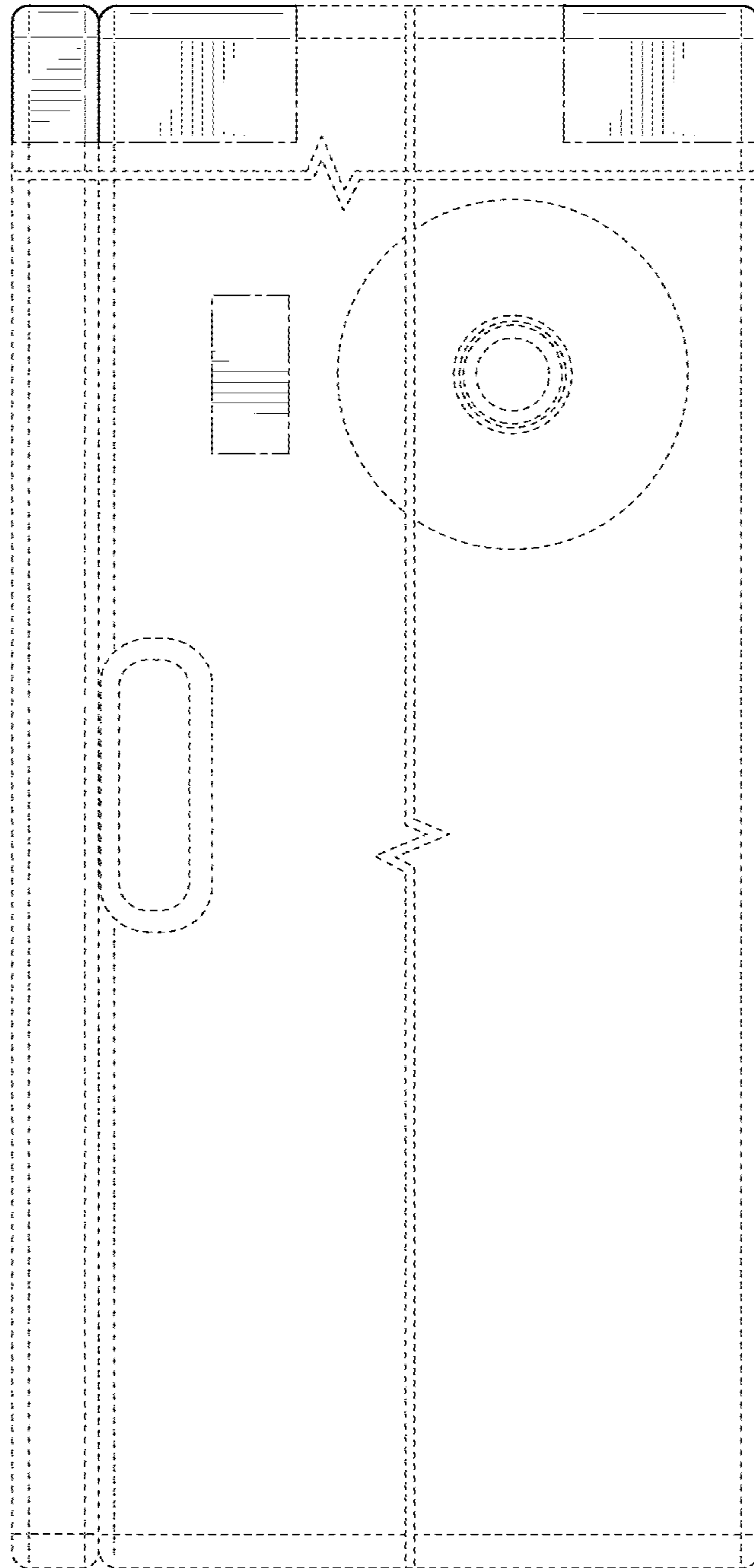


FIG. 2

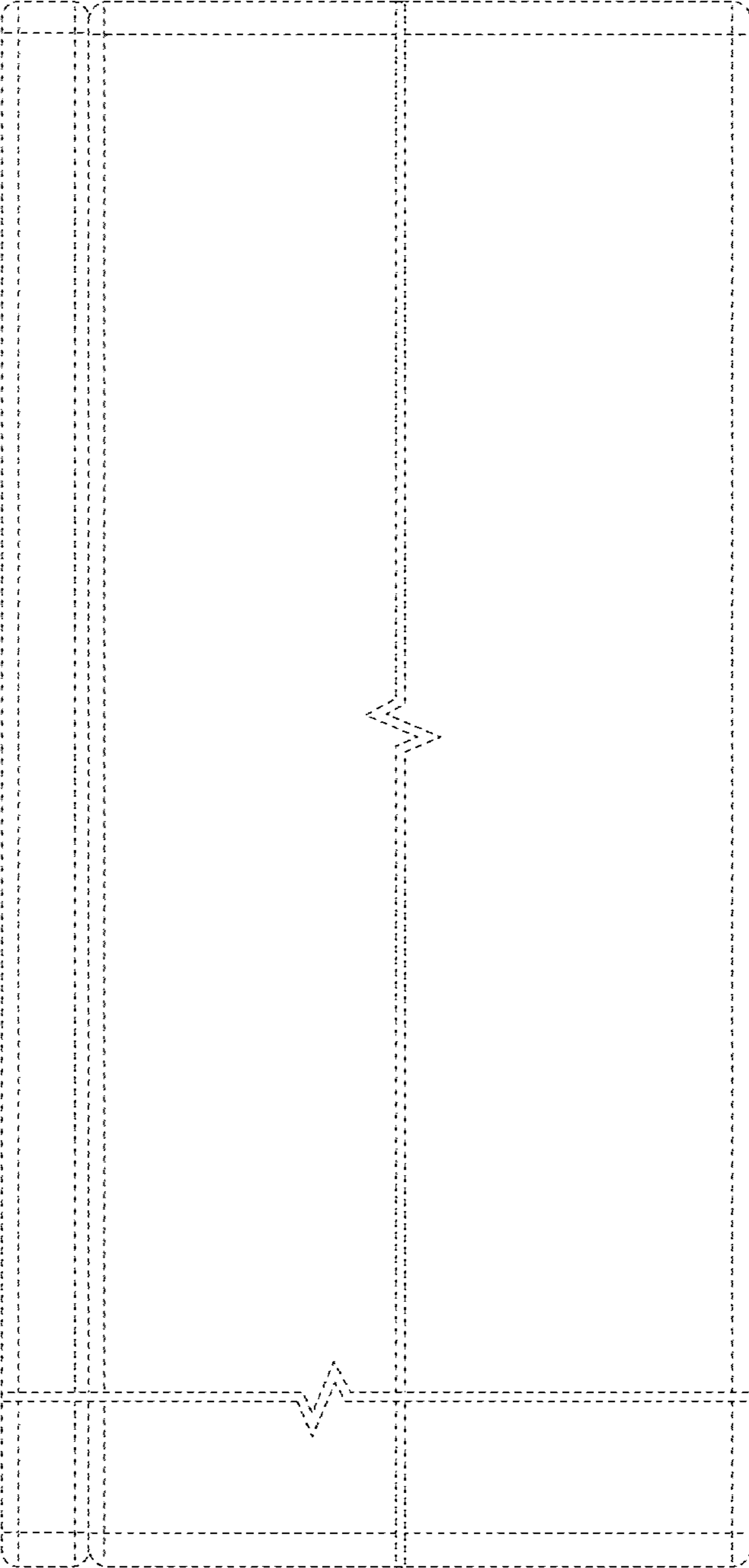


FIG. 3

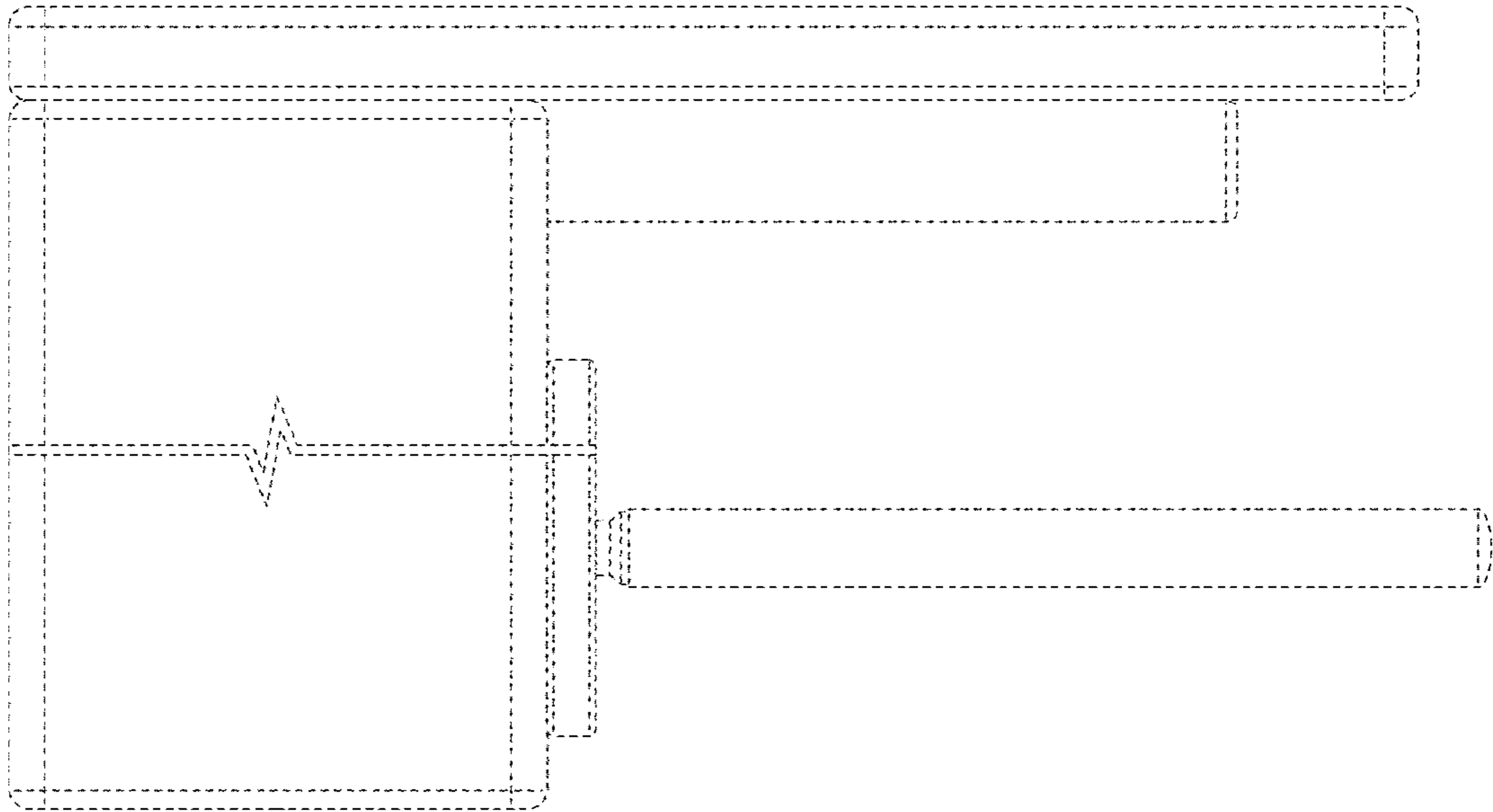


FIG. 4

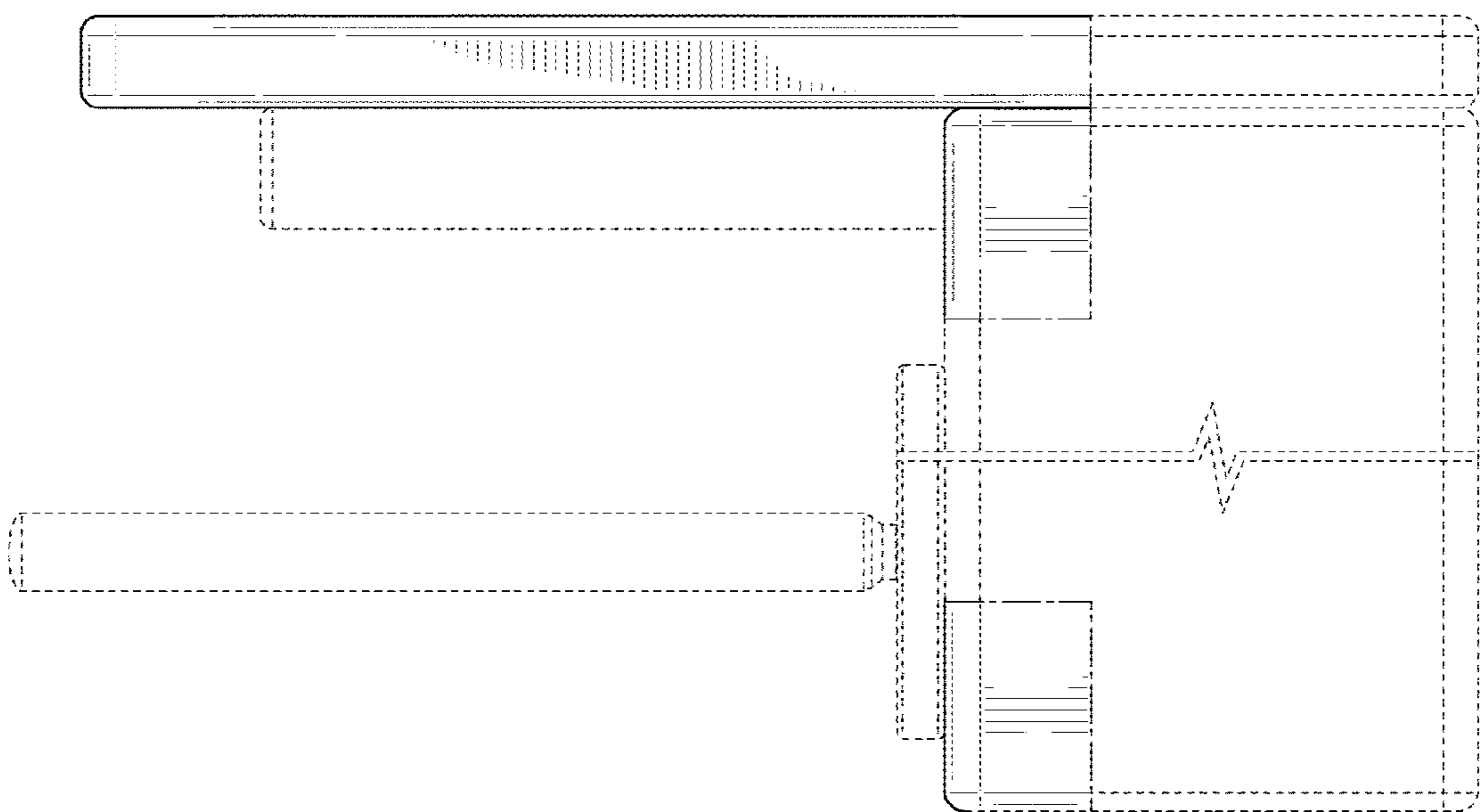


FIG. 5

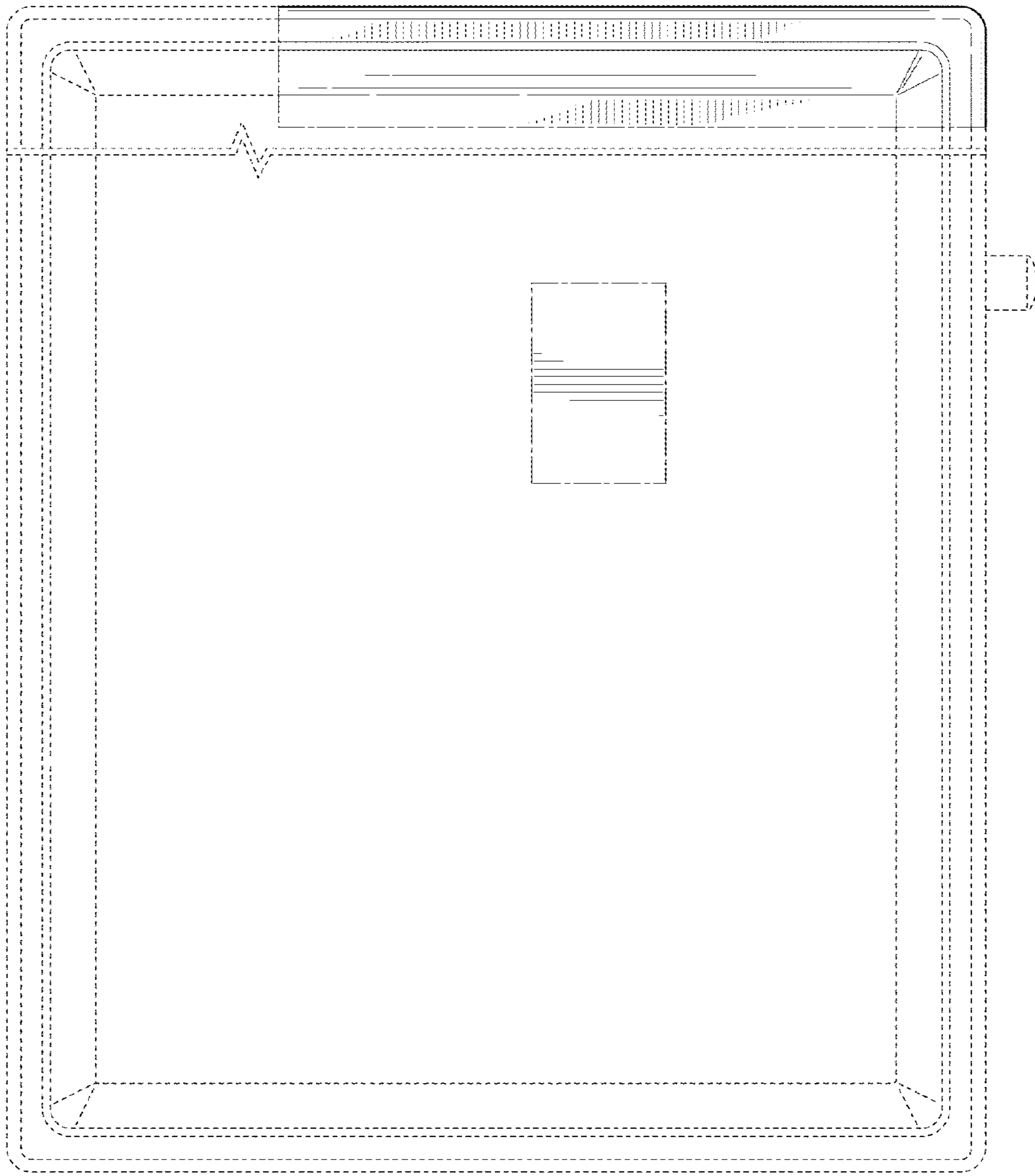


FIG. 6

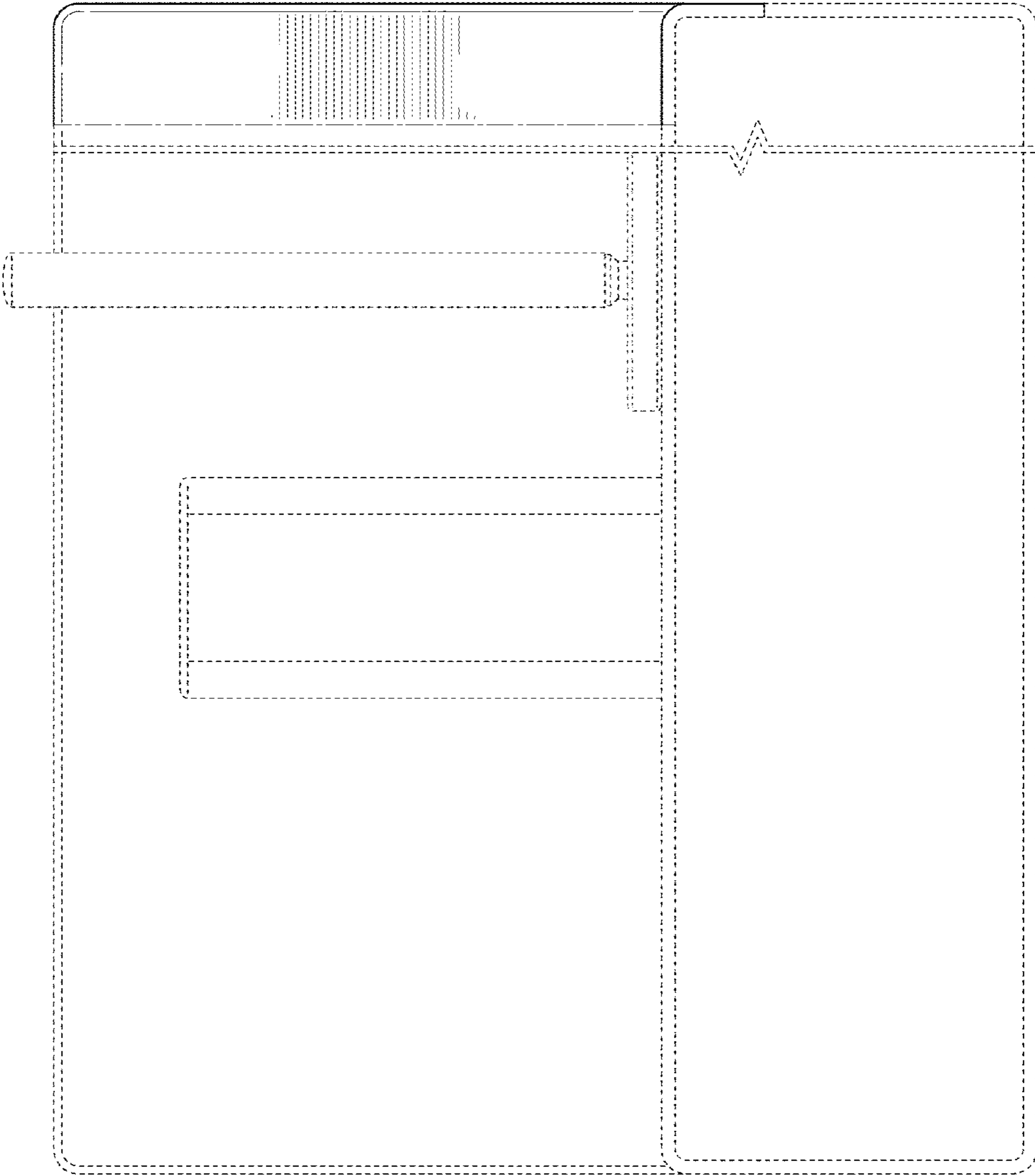


FIG. 7