



US00D771775S

(12) **United States Design Patent**
Chen

(10) **Patent No.:** **US D771,775 S**

(45) **Date of Patent:** **** Nov. 15, 2016**

(54) **HANDLE FOR WATER SPRAYING GUN**

(71) Applicant: **Chin-Yuan Chen**, Changhua (TW)

(72) Inventor: **Chin-Yuan Chen**, Changhua (TW)

(73) Assignee: **Shin Tai Spurt Water of The Garden Tools Co. Ltd.**, Changhua (TW)

(**) Term: **15 Years**

(21) Appl. No.: **29/541,897**

(22) Filed: **Oct. 8, 2015**

(51) **LOC (10) Cl.** **23-01**

(52) **U.S. Cl.**
USPC **D23/223**

(58) **Field of Classification Search**
USPC D23/213, 223, 226; 239/525-526, 532
CPC B05B 15/061; B05B 9/01; B05B 7/1209
See application file for complete search history.

(56) **References Cited**

U.S. PATENT DOCUMENTS

D502,533 S * 3/2005 Chen D23/223
D554,231 S * 10/2007 Chih D23/213

D584,380 S * 1/2009 Cheng D23/223
D584,381 S * 1/2009 Hung D23/223
D585,109 S * 1/2009 Cheng D23/223
D614,729 S * 4/2010 Cheng D23/223
D704,801 S * 5/2014 Chen D23/223
D705,898 S * 5/2014 Chen D23/223

* cited by examiner

Primary Examiner — Robin V Webster

(74) *Attorney, Agent, or Firm* — Che-Yang Chen; Law Offices of Scott Warmuth

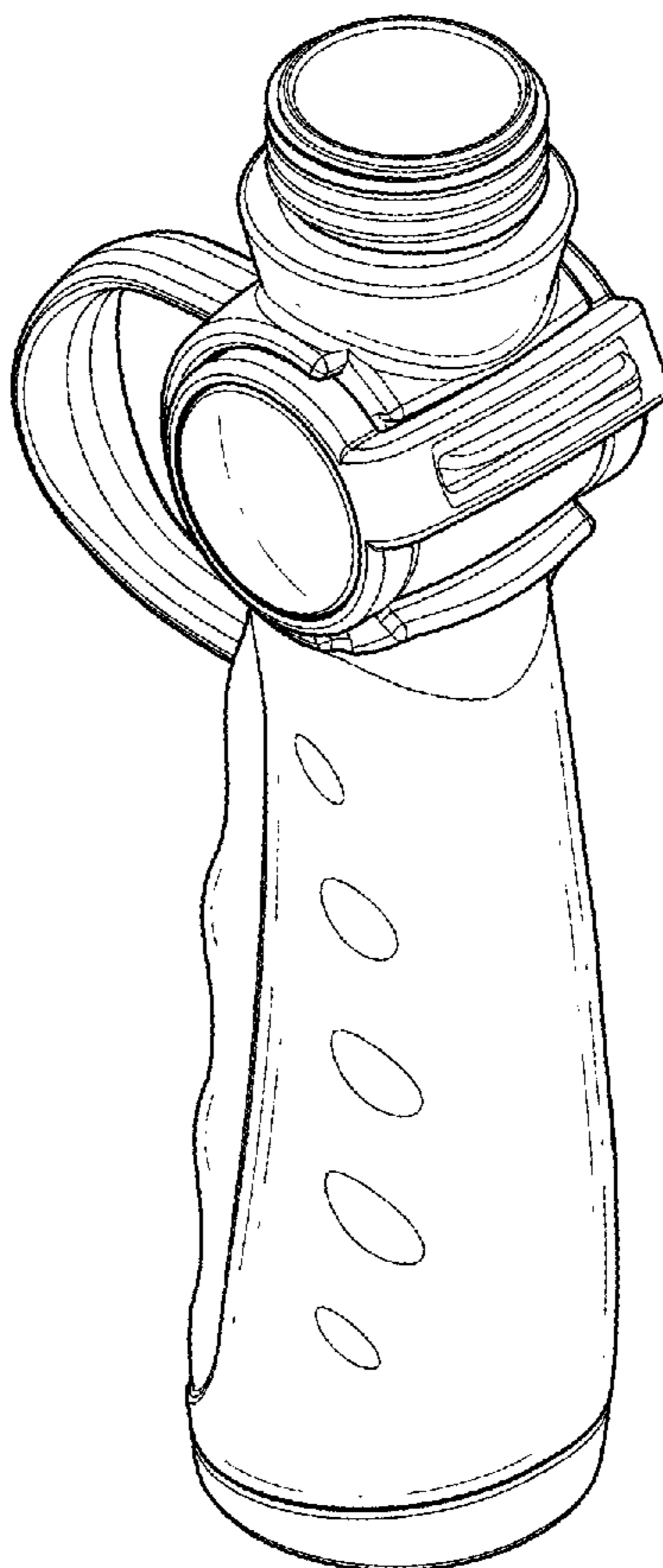
(57) **CLAIM**

The ornamental design for a handle for water spraying gun, as shown and described.

DESCRIPTION

FIG. 1 is a perspective view of a handle for water spraying gun showing my new design;
FIG. 2 is a front elevational view thereof;
FIG. 3 is a rear elevational view thereof;
FIG. 4 is a left side elevational view thereof;
FIG. 5 is a right side elevational view thereof;
FIG. 6 is a top plan view thereof; and,
FIG. 7 is a bottom plan view thereof.

1 Claim, 4 Drawing Sheets



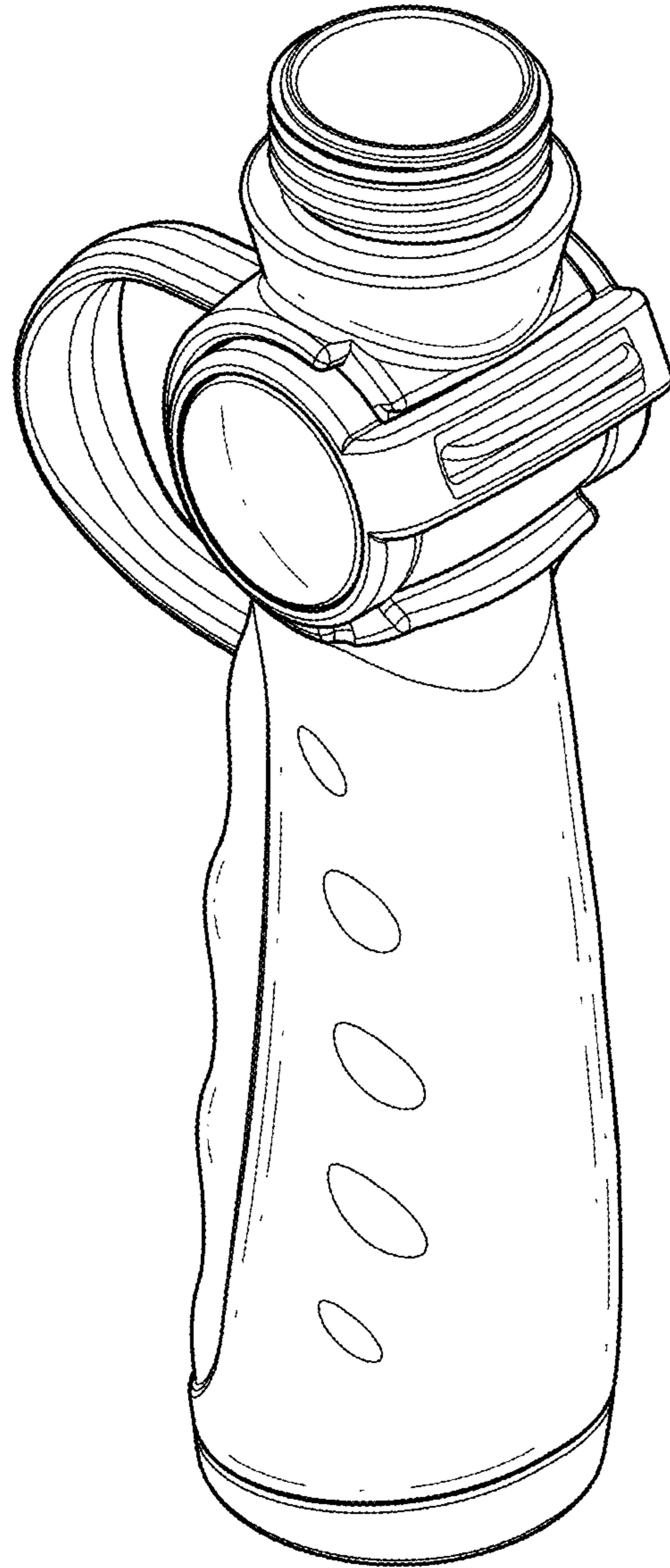


FIG. 1

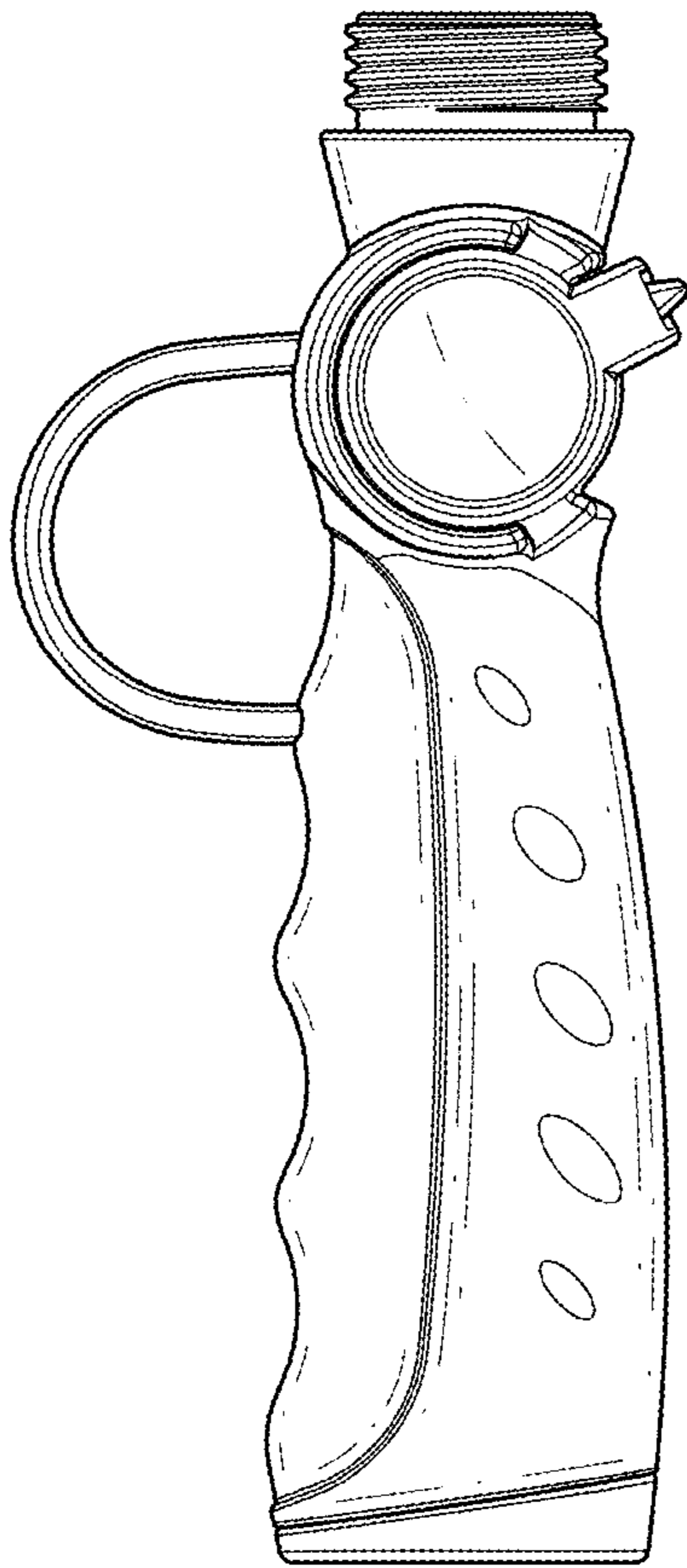


FIG. 2

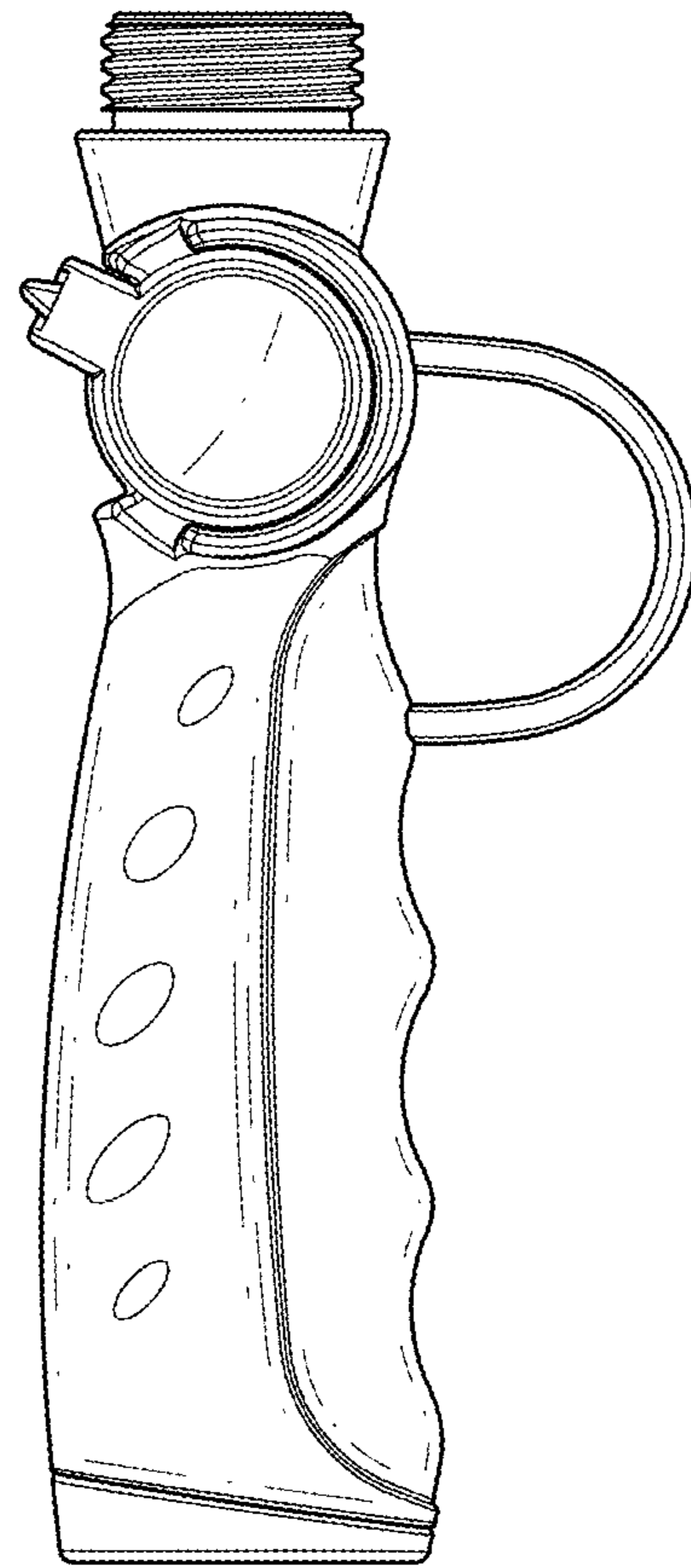


FIG. 3

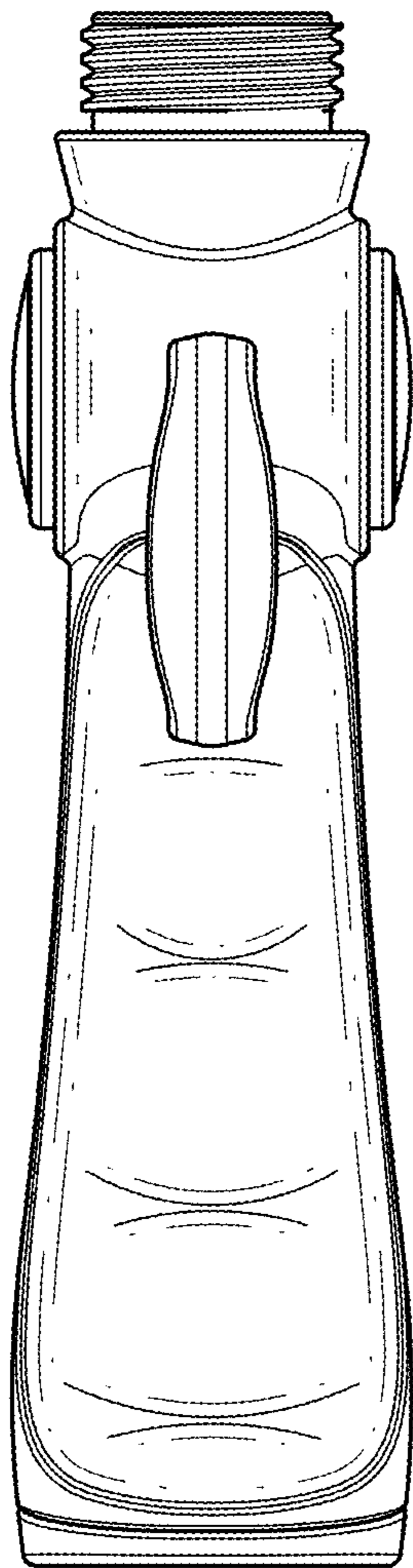


FIG. 4

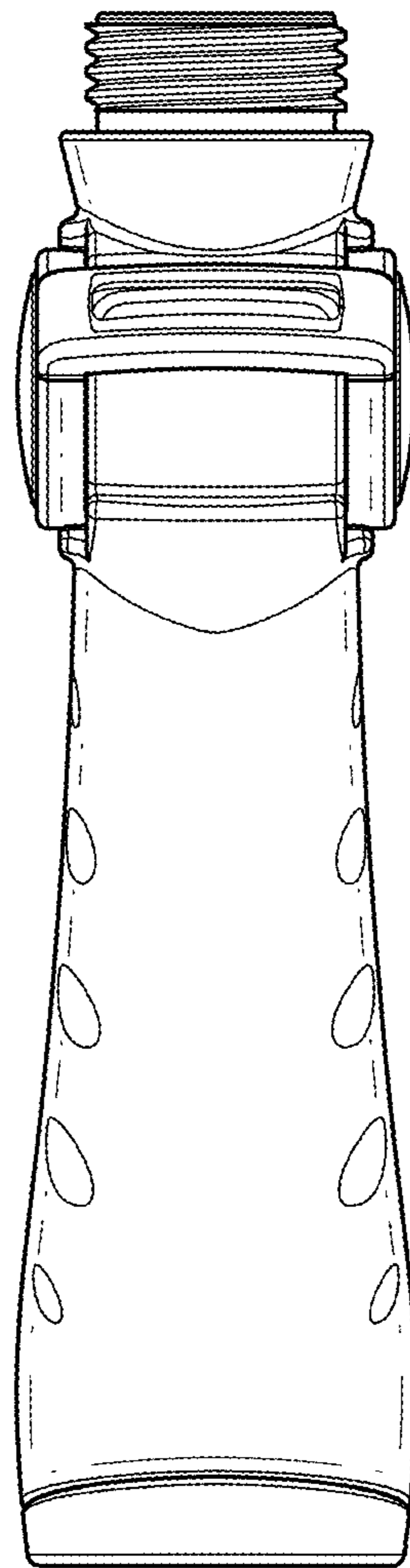


FIG. 5

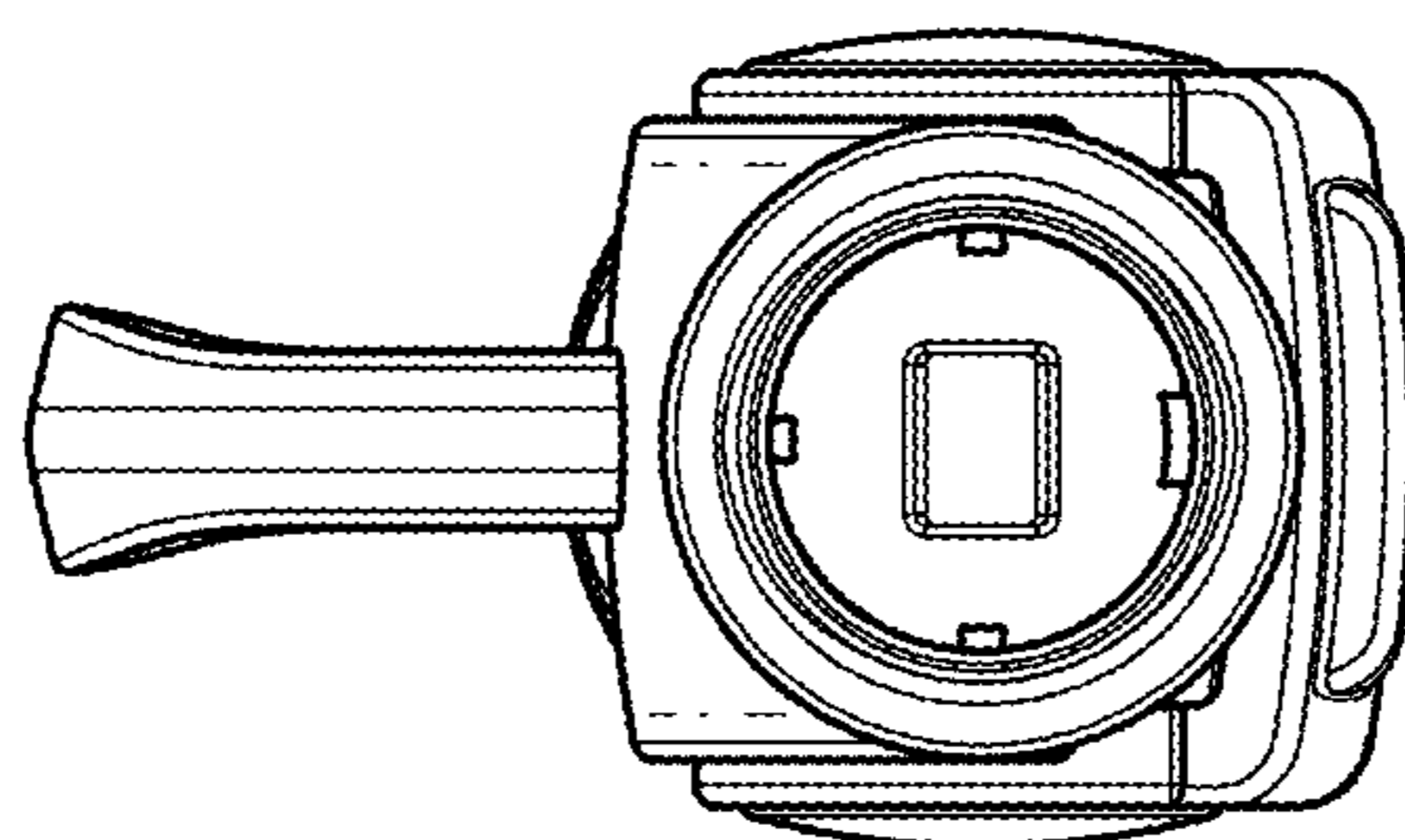


FIG. 6

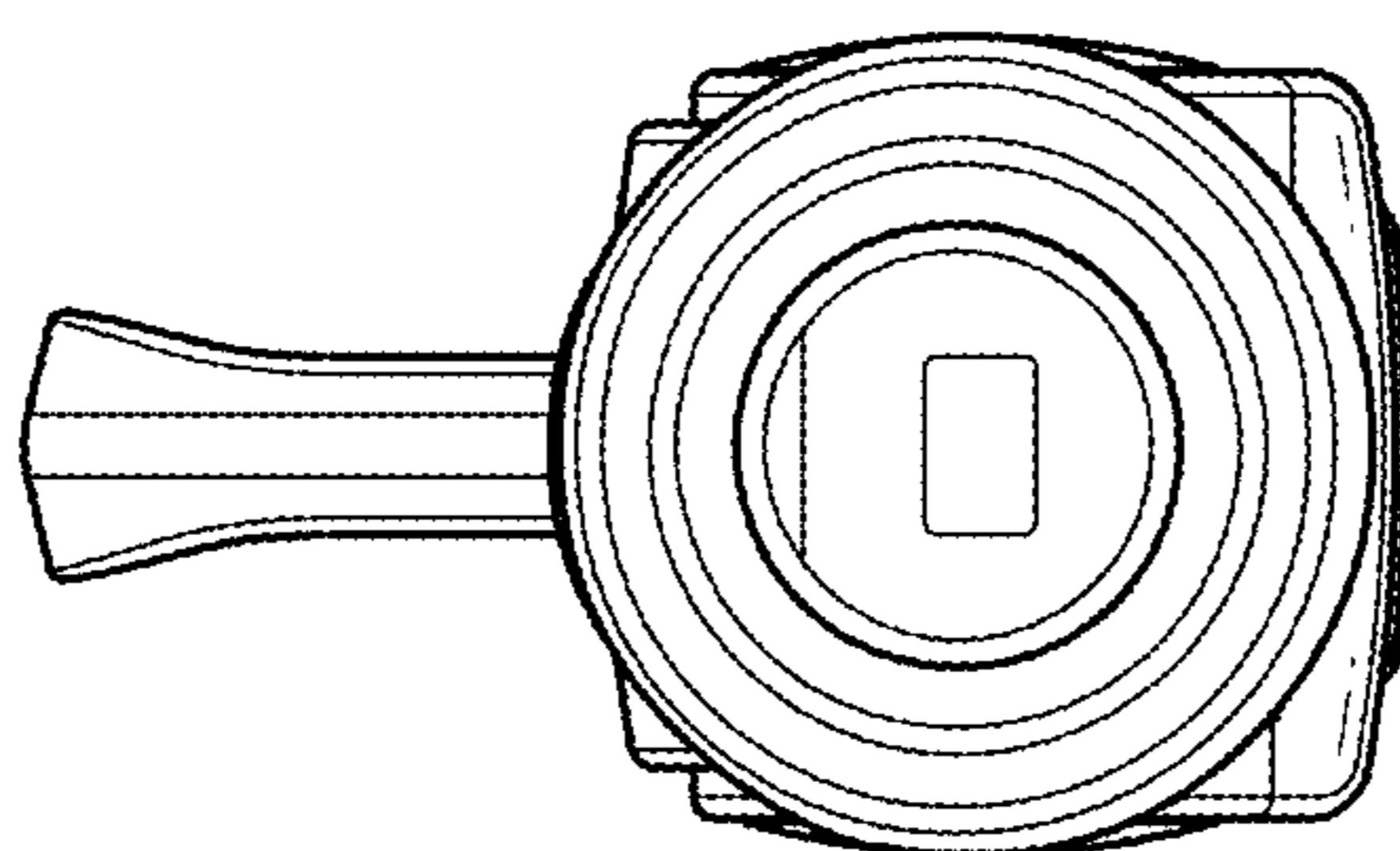


FIG. 7