



US00D771774S

(12) **United States Design Patent** (10) **Patent No.:** **US D771,774 S**
Chen (45) **Date of Patent:** **** Nov. 15, 2016**

(54) **WATER SPRAYING APPARATUS**
(71) Applicant: **Chin-Yuan Chen**, Changhua (TW)
(72) Inventor: **Chin-Yuan Chen**, Changhua (TW)
(73) Assignee: **Shin Tai Spurt Water of The Garden Tools Co. Ltd.**, Changhua (TW)
(**) Term: **15 Years**
(21) Appl. No.: **29/541,895**
(22) Filed: **Oct. 8, 2015**
(51) **LOC (10) Cl.** **23-01**
(52) **U.S. Cl.**
USPC **D23/223**
(58) **Field of Classification Search**
USPC D23/213, 223, 226; 239/525-526, 532
CPC B05B 15/061; B05B 9/01; B05B 7/1209
See application file for complete search history.

(56) **References Cited**
U.S. PATENT DOCUMENTS
D407,140 S * 3/1999 Heren D23/223
D534,241 S * 12/2006 Wang D23/226
D553,713 S * 10/2007 Chih D23/226

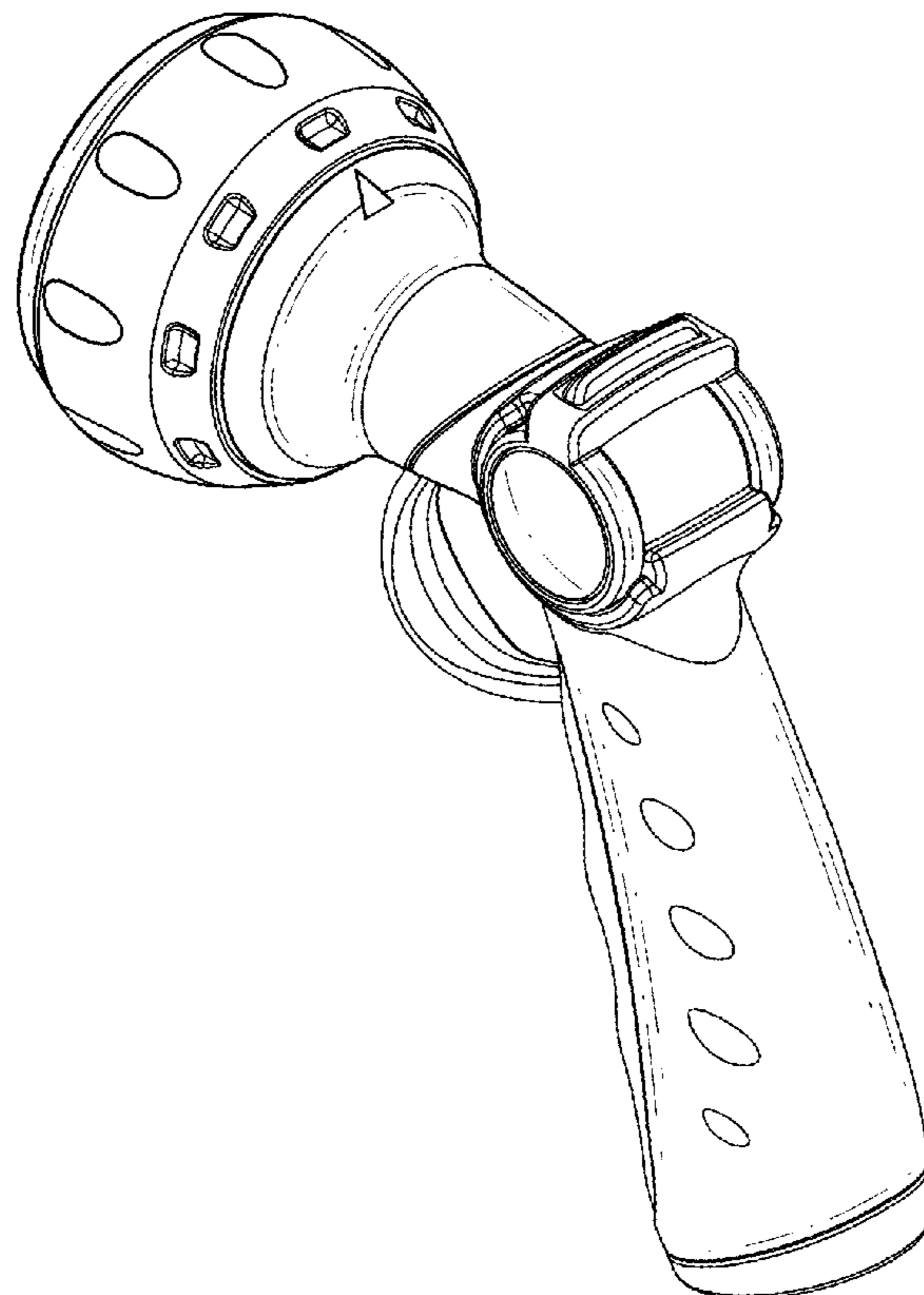
* cited by examiner

Primary Examiner — Robin V Webster
(74) *Attorney, Agent, or Firm* — Che-Yang Chen; Law Offices of Scott Warmuth

(57) **CLAIM**
The ornamental design for a water spraying apparatus, as shown and described.

DESCRIPTION
FIG. 1 is a perspective view of a water spraying apparatus showing my new design;
FIG. 2 is a front elevational view thereof;
FIG. 3 is a rear elevational view thereof;
FIG. 4 is a left side elevational view thereof;
FIG. 5 is a right side elevational view thereof;
FIG. 6 is a top plan view thereof; and,
FIG. 7 is a bottom plan view thereof.

1 Claim, 4 Drawing Sheets



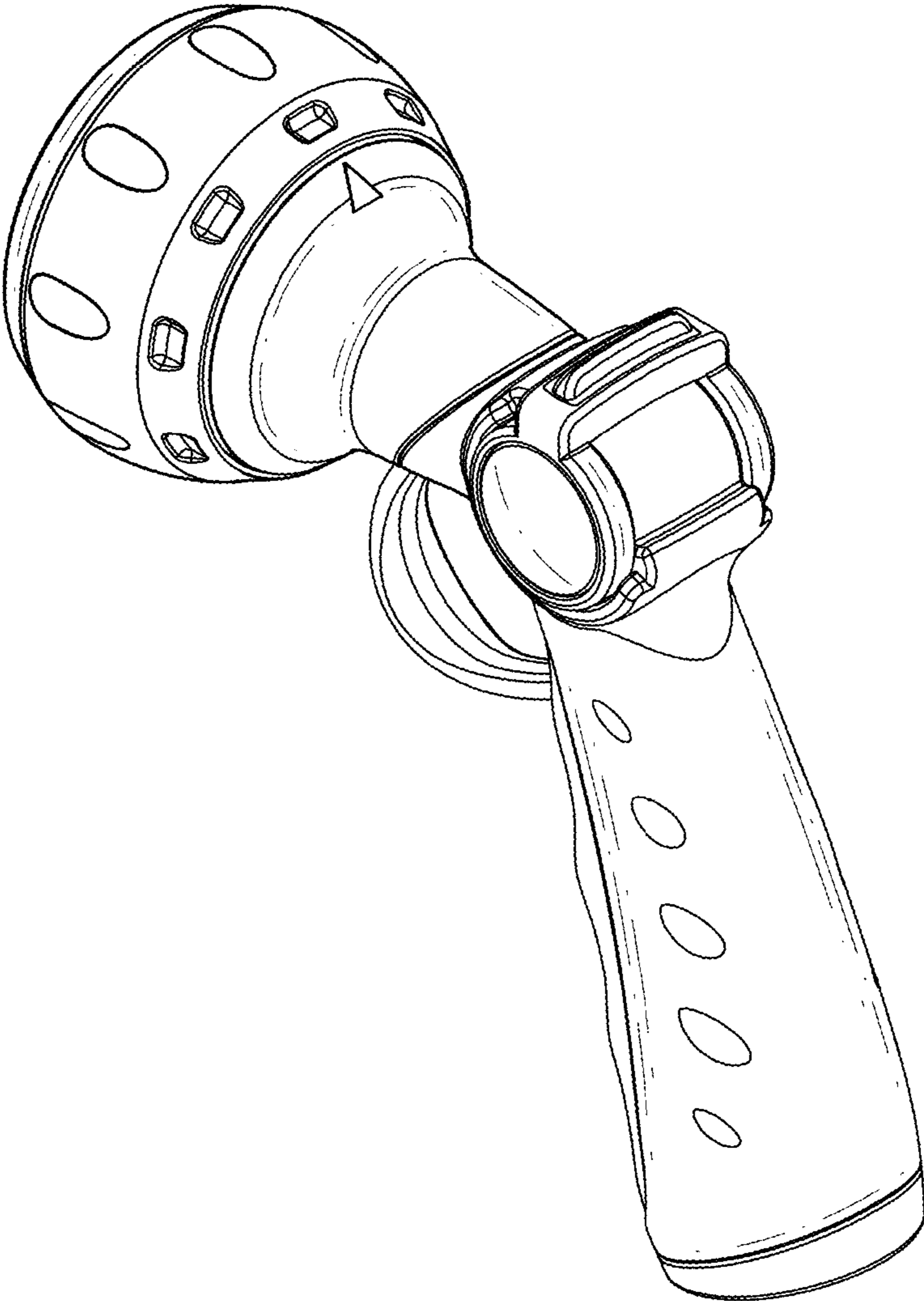


FIG. 1

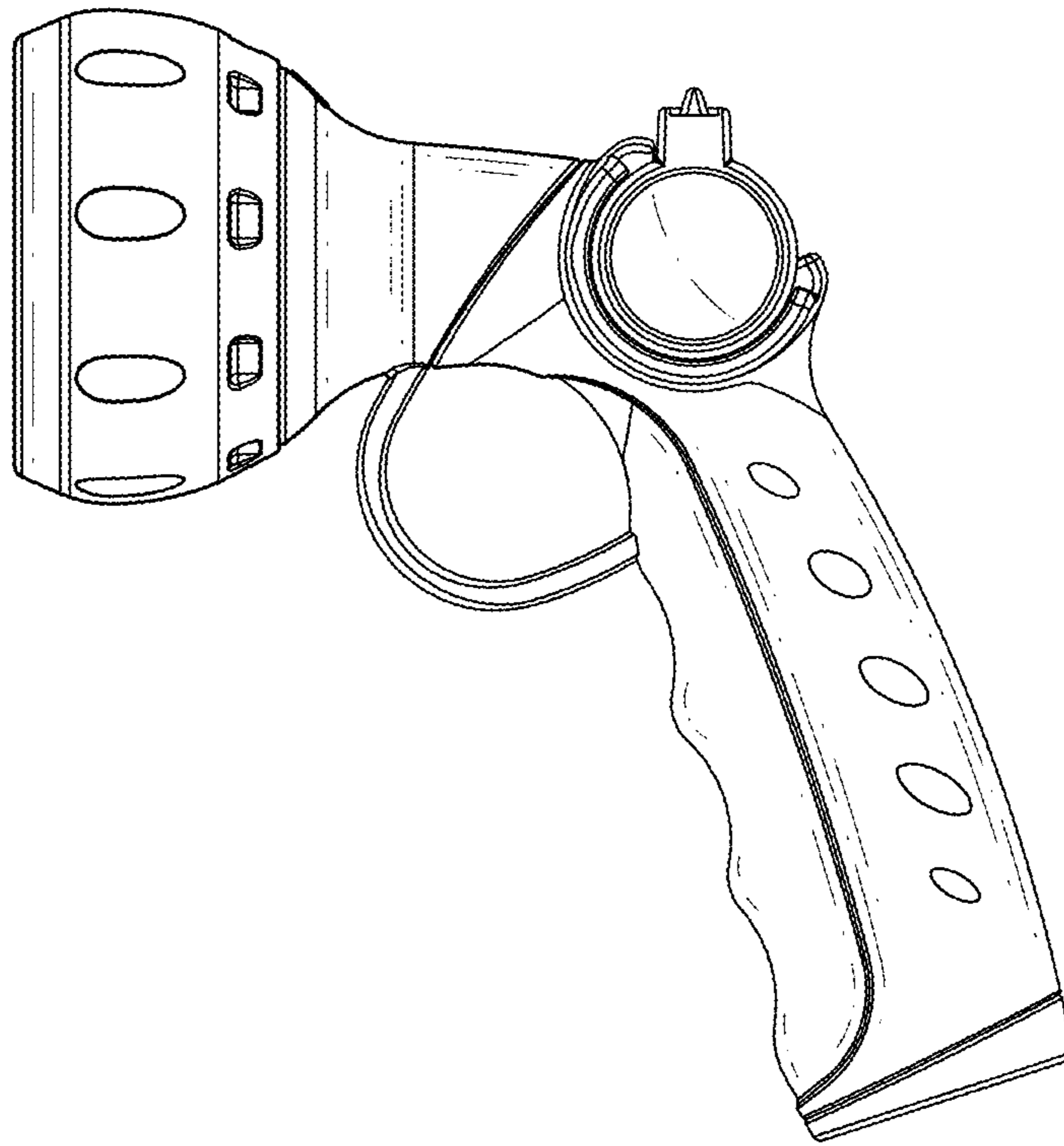


FIG. 2

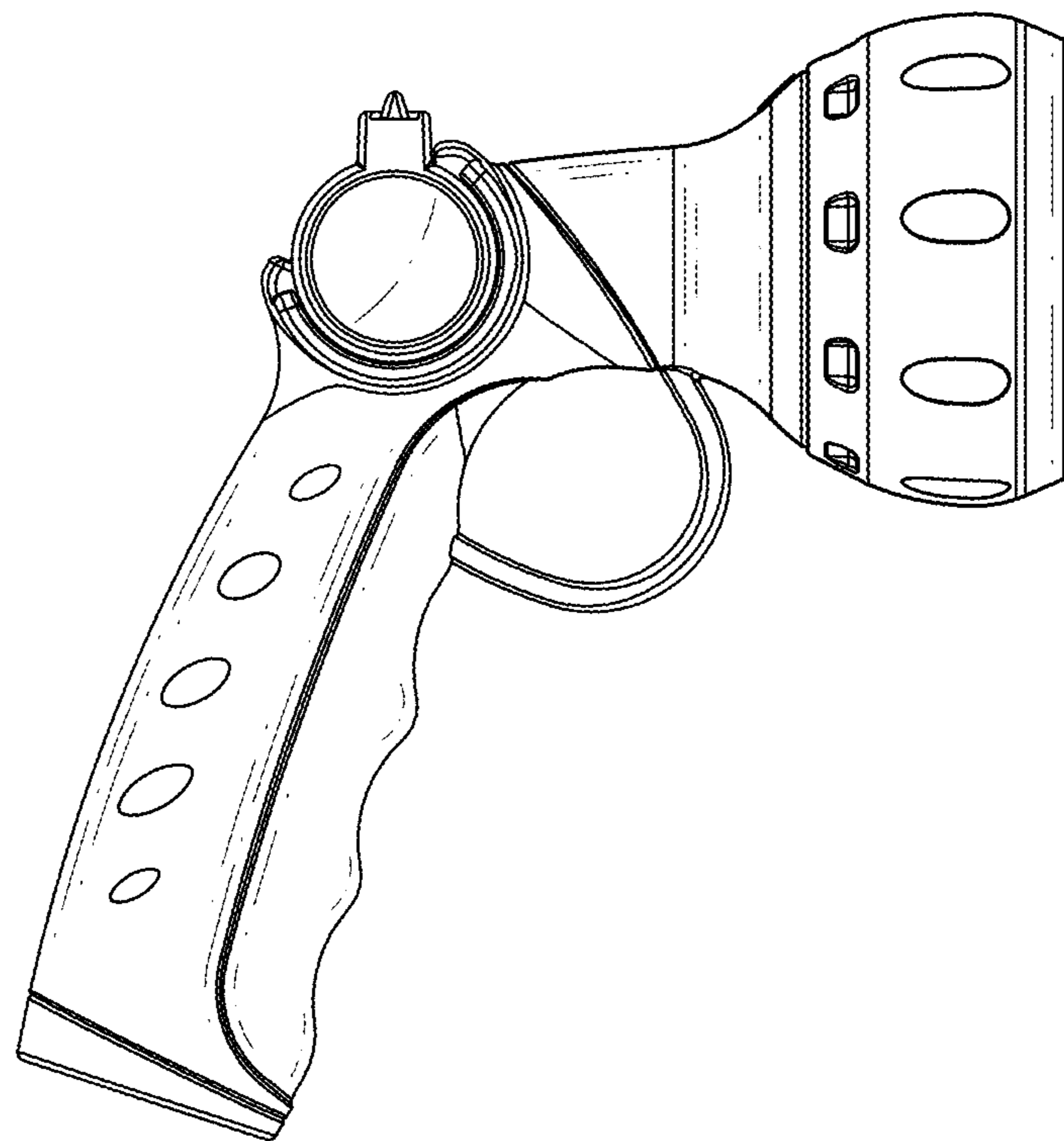


FIG. 3

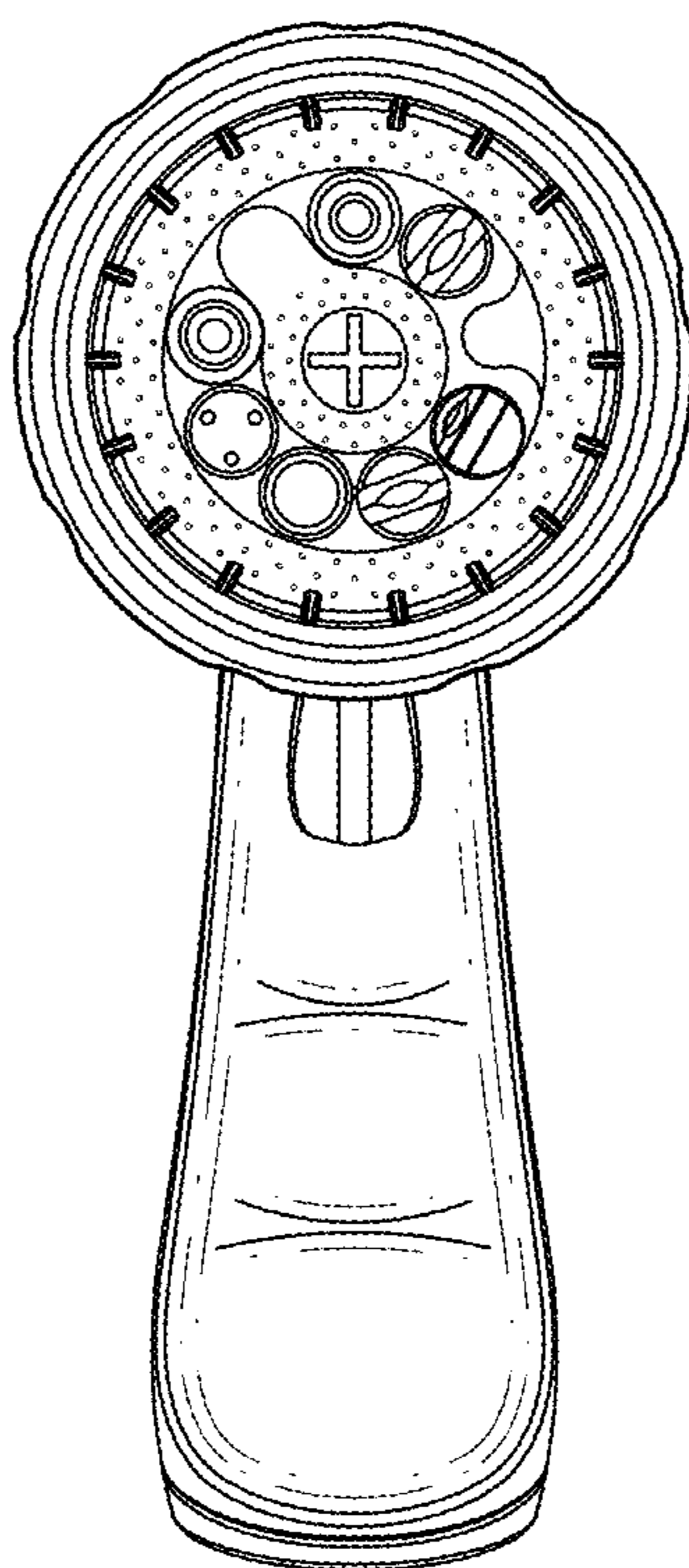


FIG. 4

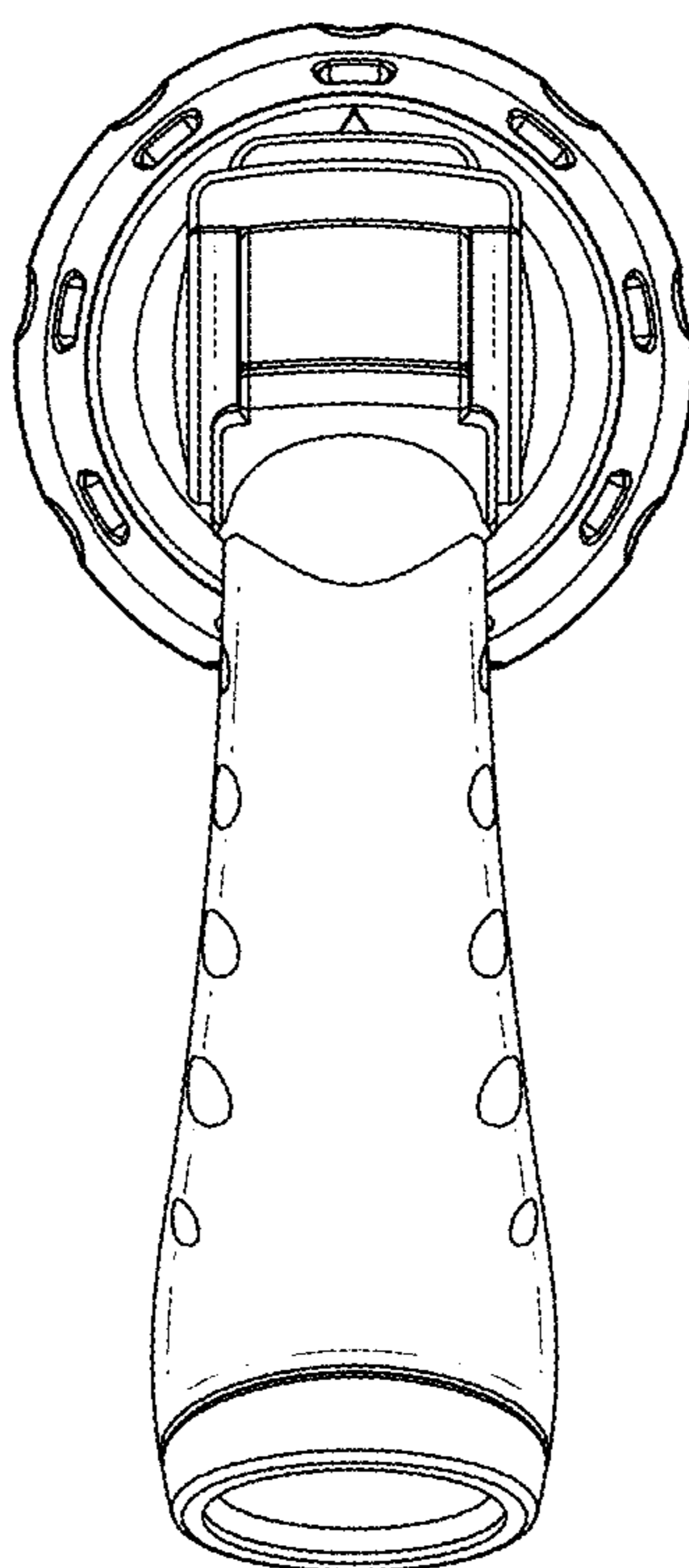


FIG. 5

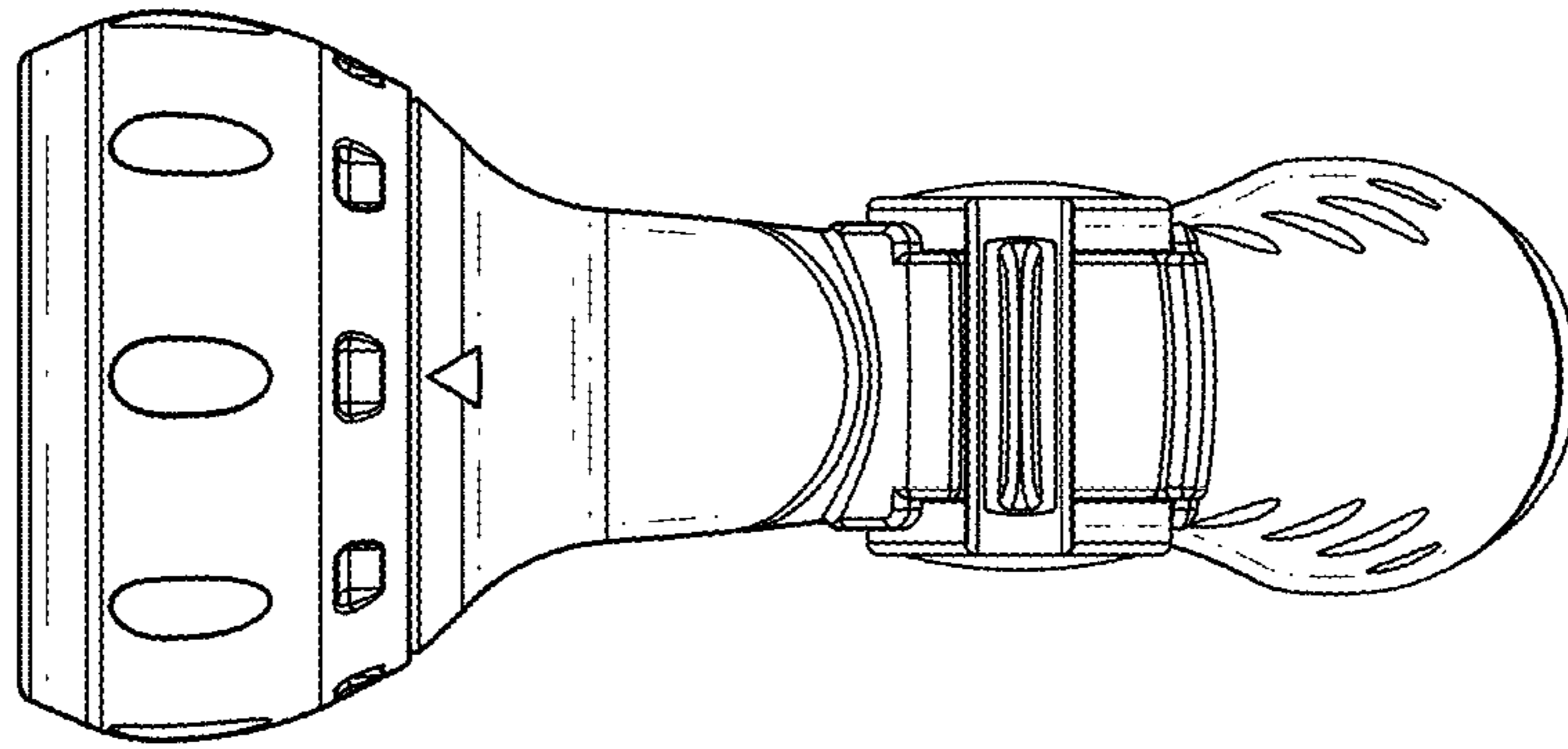


FIG. 6

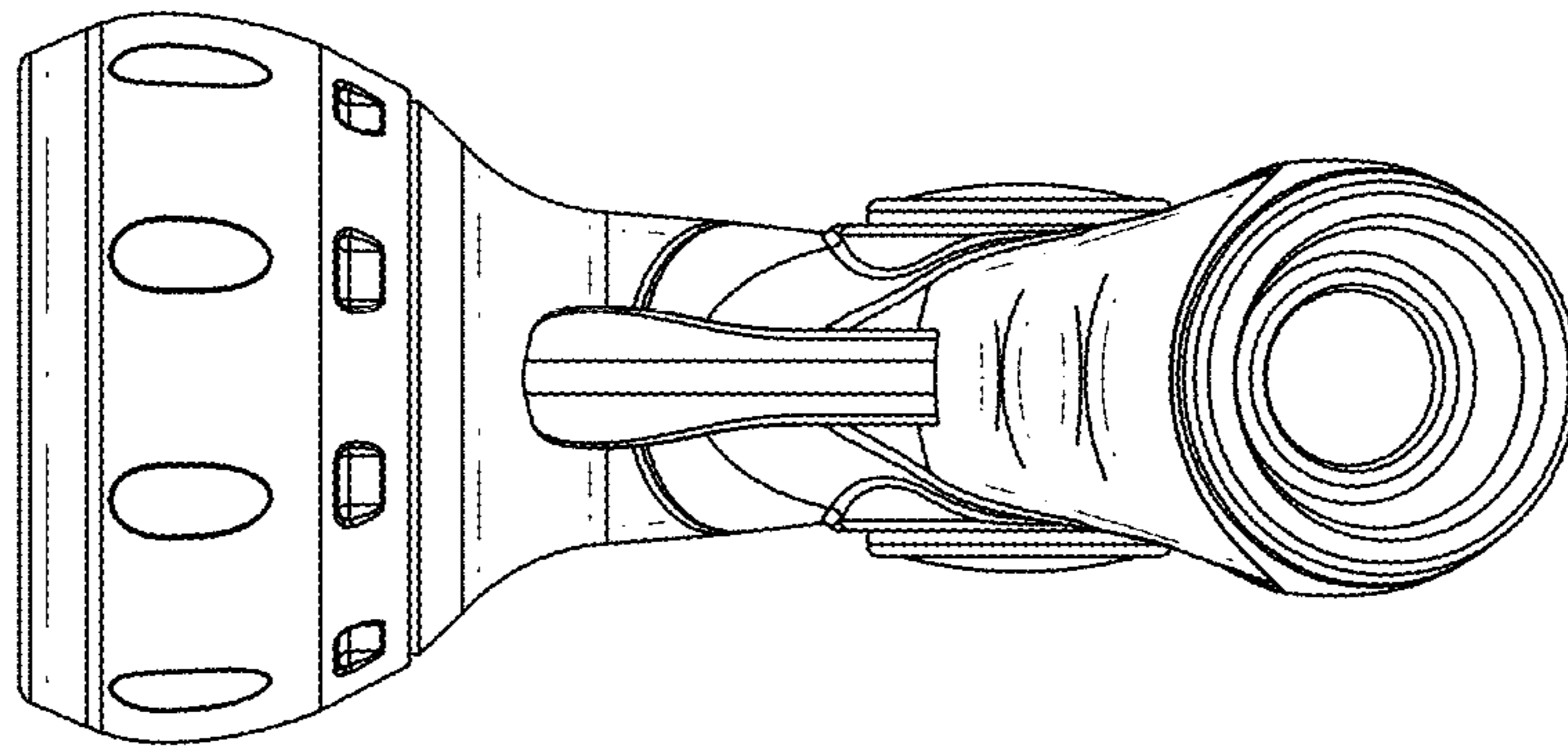


FIG. 7