



US00D771772S

(12) **United States Design Patent**
Morita et al.

(10) **Patent No.:** **US D771,772 S**

(45) **Date of Patent:** **** *Nov. 15, 2016**

(54) **RETURN NOZZLE**

(71) Applicant: **Hitachi Kokusai Electric Inc.**,
Chiyoda-ku, Tokyo (JP)

(72) Inventors: **Shinya Morita**, Toyama (JP);
Masahiro Miyake, Toyama (JP);
Masato Terasaki, Toyama (JP); **Naoki**
Matsumoto, Toyama (JP); **Naonori**
Akai, Toyama (JP)

(73) Assignee: **Hitachi Kokusai Electric Inc.**, Tokyo
(JP)

(*) Notice: This patent is subject to a terminal dis-
claimer.

(**) Term: **14 Years**

(21) Appl. No.: **29/518,881**

(22) Filed: **Feb. 27, 2015**

(30) **Foreign Application Priority Data**

Jan. 28, 2015 (JP) D2015-001516

(51) **LOC (10) Cl.** **23-01**

(52) **U.S. Cl.**
USPC **D23/213**

(58) **Field of Classification Search**
USPC D23/200, 213, 266; D15/144.2; D8/1,
D8/2, 30, 60
CPC B24B 9/007; B24B 9/00; B08B 9/00;
B08B 9/02; B08B 9/021; B08B 9/023;
B08B 9/027; B08B 9/032; B08B 9/0321;
B08B 9/0323; B08B 9/0328; B08B 9/035;
B08B 9/0495; B08B 5/00; B08B 5/02;
B08B 1/00; B08B 1/005; B08B 1/06; B05B
5/0537; B05B 5/0538; B05B 1/3093
See application file for complete search history.

(56) **References Cited**

U.S. PATENT DOCUMENTS

D322,341 S * 12/1991 Zito D23/213
5,135,170 A * 8/1992 Takeda B05B 15/10
239/204

6,024,300 A * 2/2000 Bolton B05B 11/0035
222/637
6,283,388 B1 * 9/2001 Bolton B05B 7/2405
239/326
6,832,734 B2 * 12/2004 Rafferty B05B 15/08
239/222

(Continued)

Primary Examiner — Elizabeth J Oswecki
(74) *Attorney, Agent, or Firm* — Miles & Stockbridge
P.C.

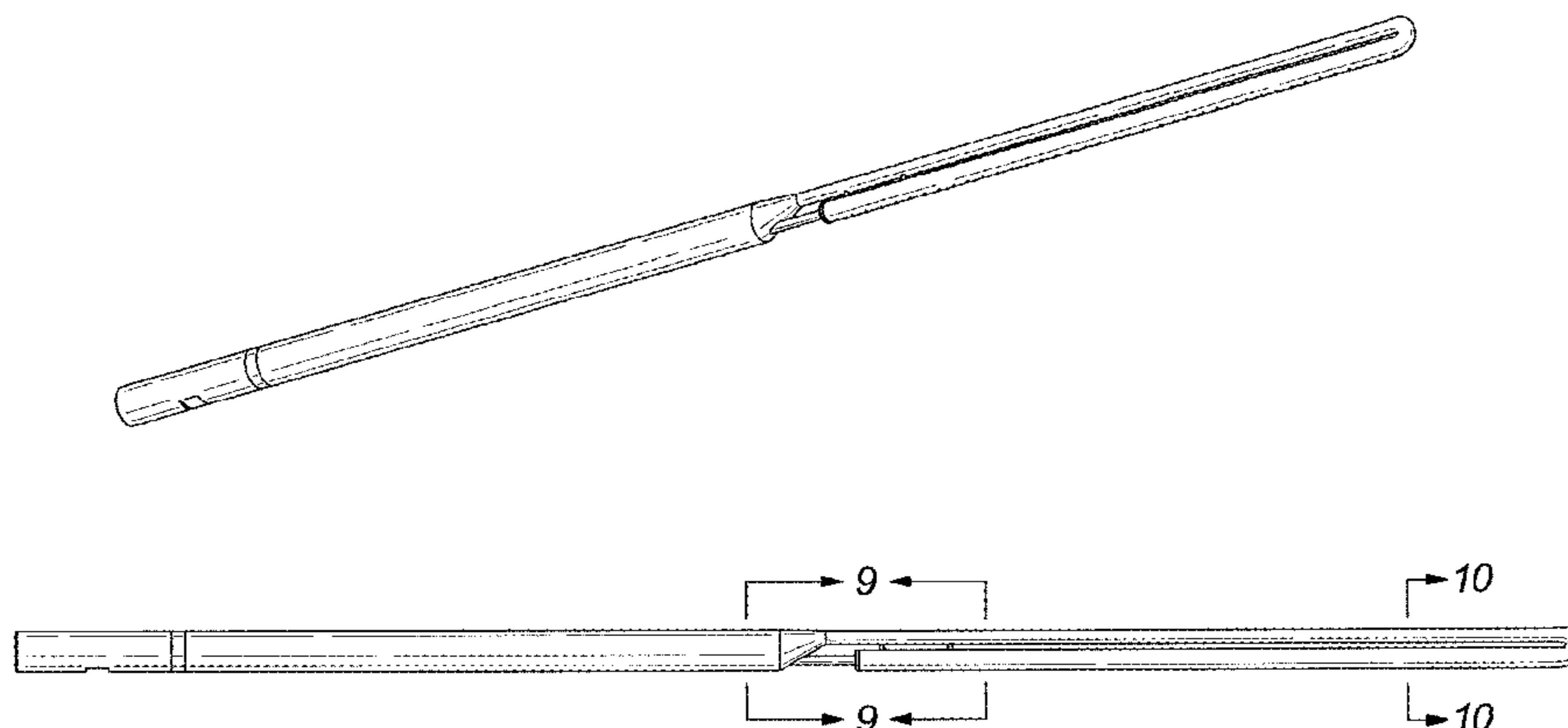
(57) **CLAIM**

The ornamental design for a return nozzle, as shown and
described.

DESCRIPTION

FIG. 1 is a front, bottom and right side perspective view of
a return nozzle showing our new design;
FIG. 2 is a front elevational view thereof;
FIG. 3 is a rear elevational view thereof;
FIG. 4 is a top plan view thereof;
FIG. 5 is a bottom plan view thereof;
FIG. 6 is a left side elevational view thereof;
FIG. 7 is a right side elevational view thereof;
FIG. 8 is an enlarged right side elevational view of FIG. 7
thereof;
FIG. 9 is an enlarged view taken along line 9-9 in FIG. 2
thereof;
FIG. 10 is an enlarged view taken along line 10-10 in FIG.
2 thereof;
FIG. 11 is an enlarged view taken along line 11-11 in FIG.
4 thereof;
FIG. 12 is an enlarged view taken along line 12-12 in FIG.
5 thereof;
FIG. 13 is an enlarged cross sectional view taken along line
13-13 in FIG. 11 thereof; and,
FIG. 14 is an enlarged cross sectional view taken along line
14-14 in FIG. 12.
The broken lines in the drawings form no part of the claimed
design.

1 Claim, 5 Drawing Sheets



US D771,772 S

Page 2

(56)

References Cited

U.S. PATENT DOCUMENTS

D514,662 S *	2/2006	Zielke	D23/213	D617,416 S *	6/2010	Chen	D23/223
7,080,888 B2 *	7/2006	Hach	E04G 23/08	D638,911 S *	5/2011	Laski	D23/213
			299/17	D641,830 S *	7/2011	Alexander	D23/213
7,100,844 B2 *	9/2006	McGuire	B08B 3/02	D684,662 S *	6/2013	Cordani	D23/223
			175/424	D693,901 S *	11/2013	Zwaan	D19/66
				D730,487 S *	5/2015	Bergstrom	D23/213
				2004/0074988 A1 *	4/2004	Sternbach	B05B 1/046
							239/284.1

* cited by examiner

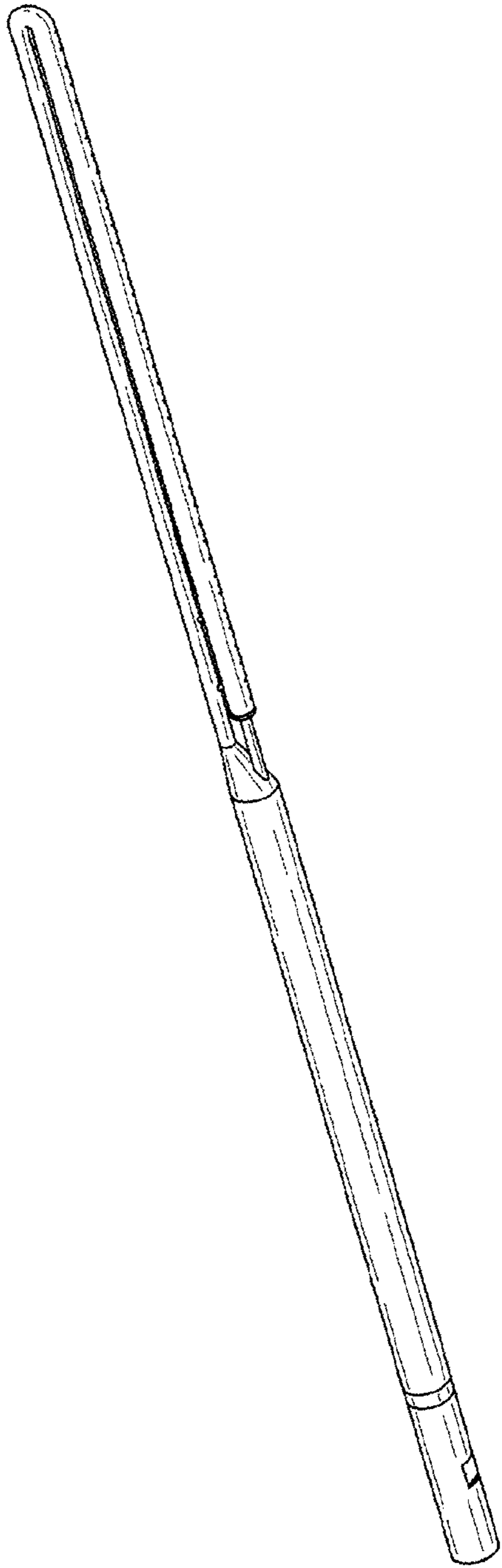


FIG. 1

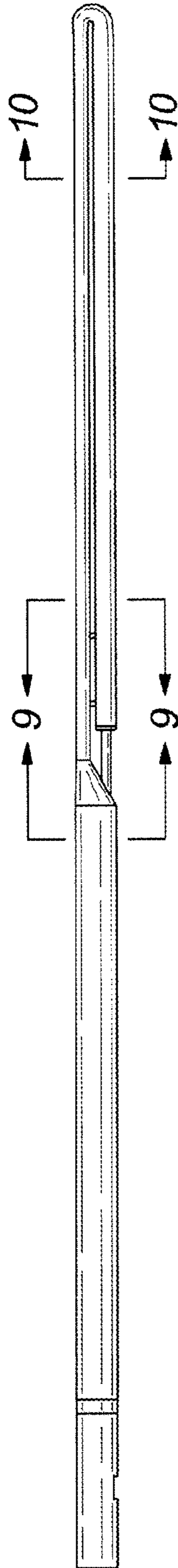


FIG. 2



FIG. 3

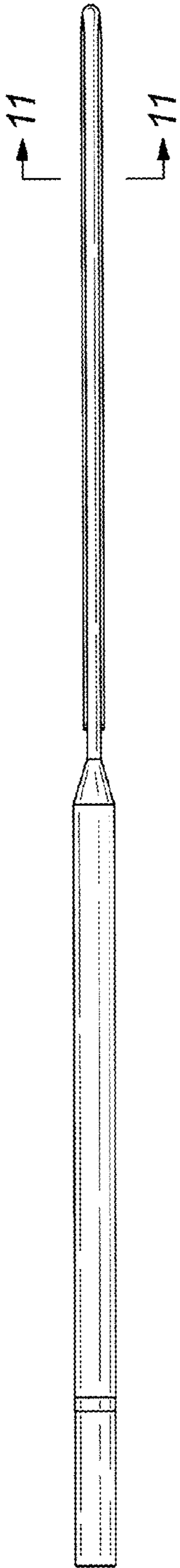


FIG. 4

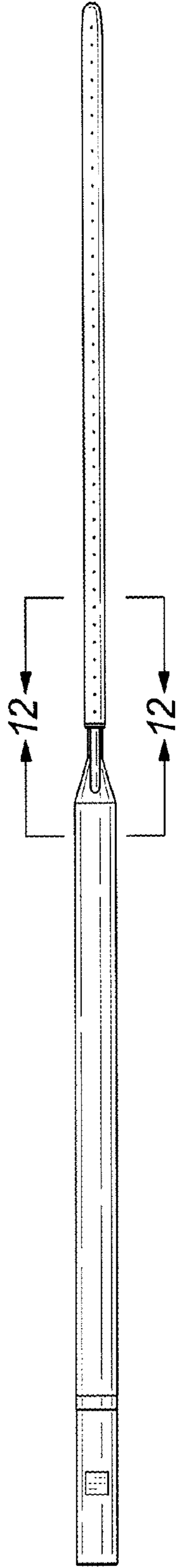


FIG. 5



FIG. 6



FIG. 7

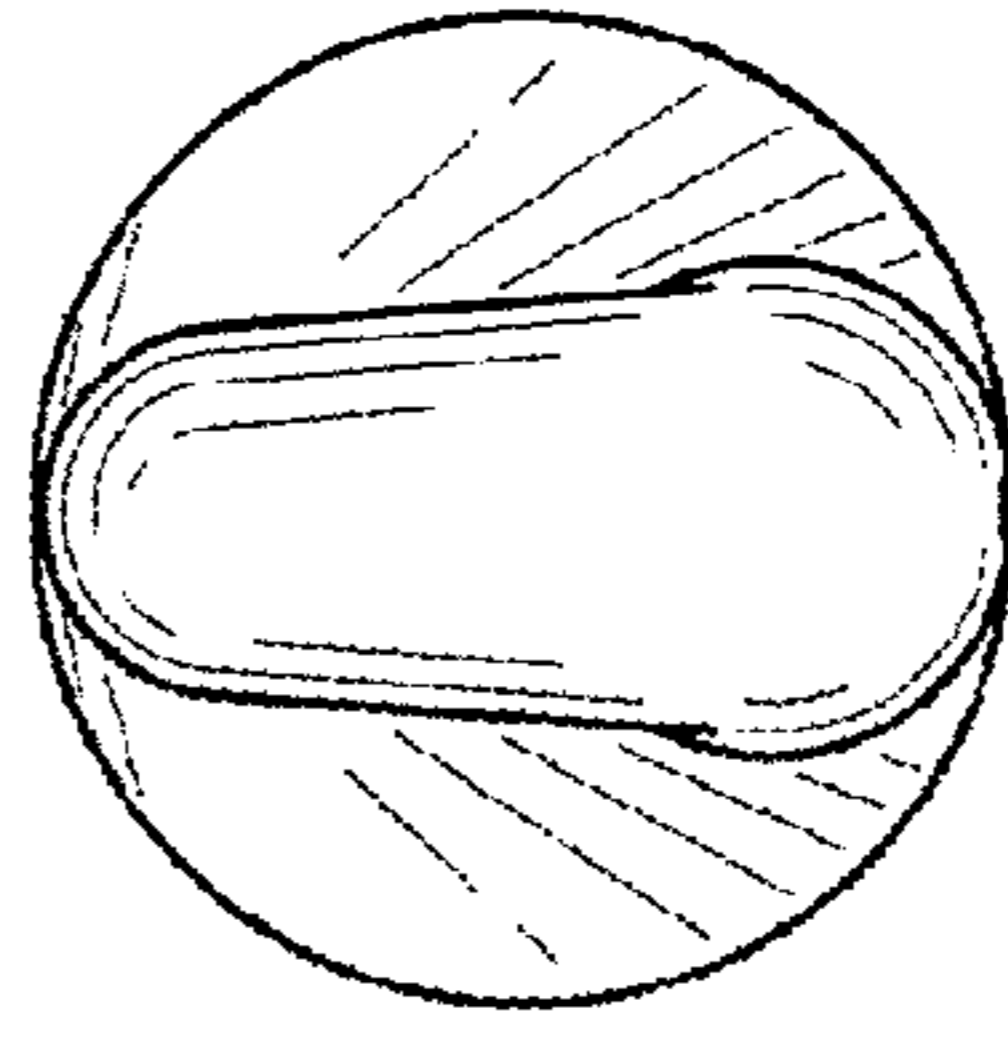


FIG. 8

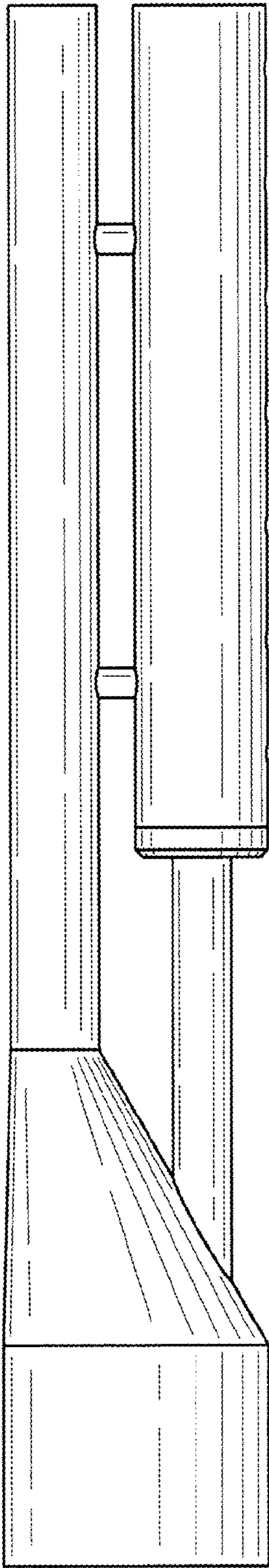


FIG. 9

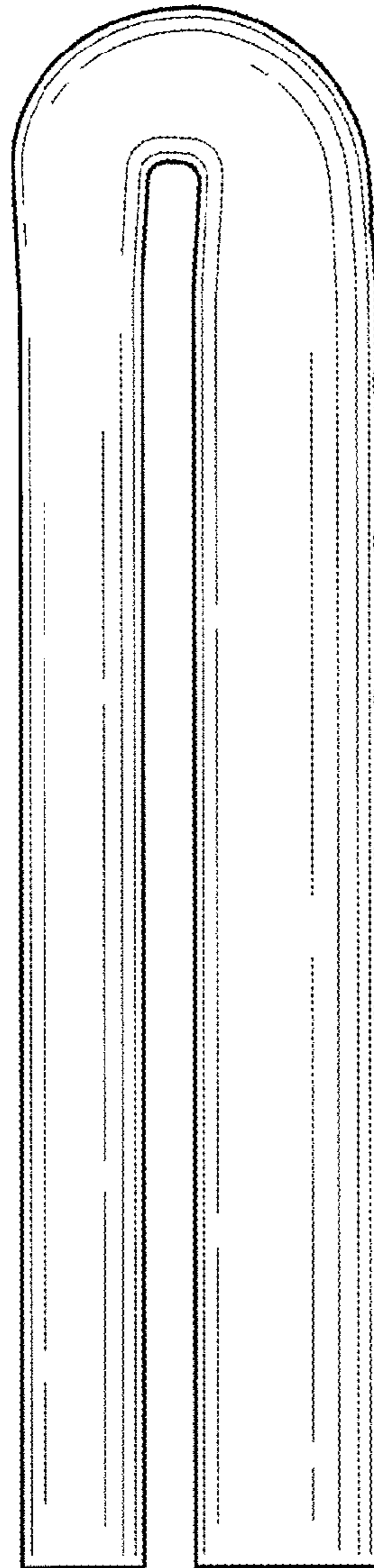


FIG. 10

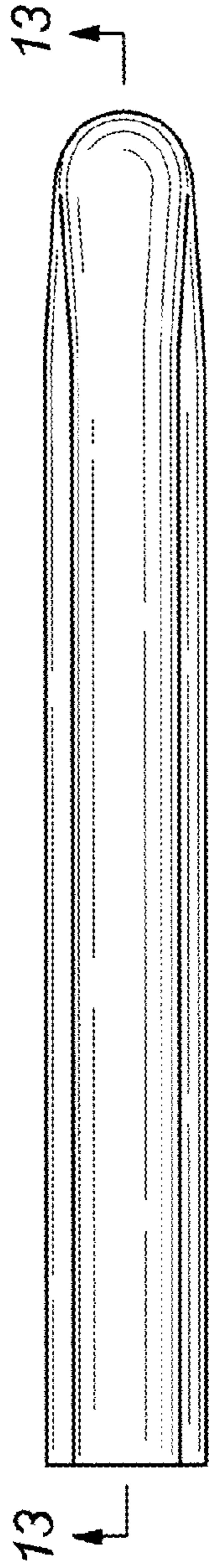


FIG. 11

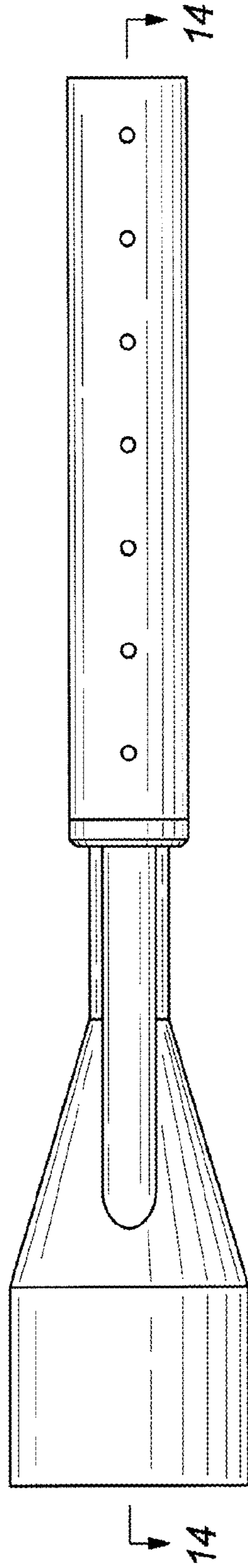


FIG. 12

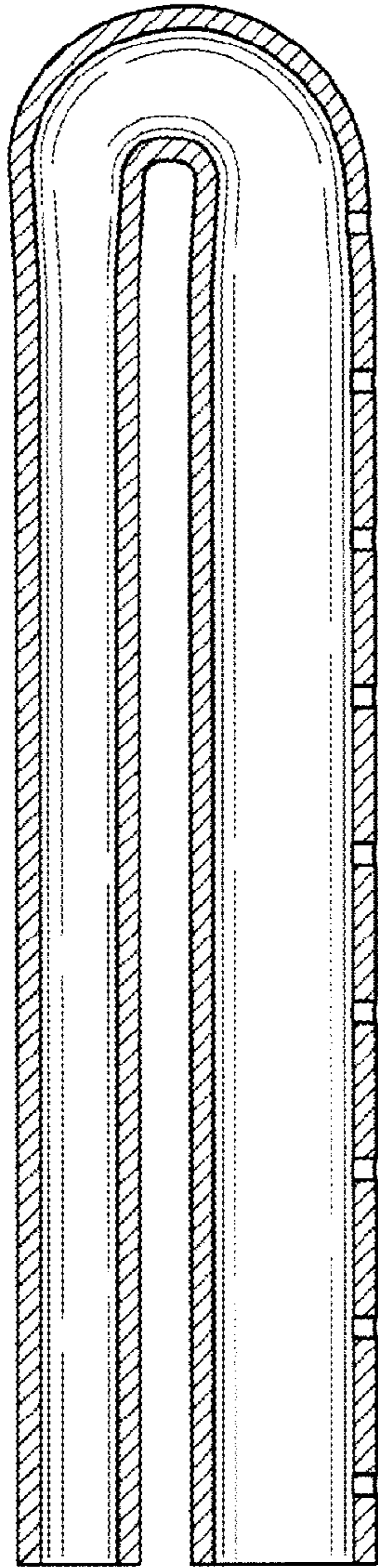


FIG. 13

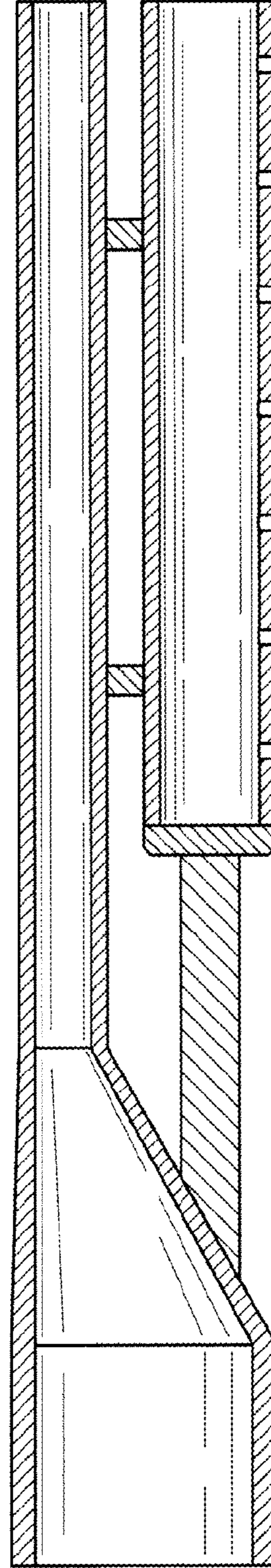


FIG. 14