



US00D771771S

(12) **United States Design Patent**  
**Hill et al.**

(10) **Patent No.:** **US D771,771 S**

(45) **Date of Patent:** **\*\* Nov. 15, 2016**

(54) **AERATOR HUB AND AERATOR ASSEMBLY**

(71) Applicant: **Triplepoint Environmental LLC**, Oak Park, IL (US)

(72) Inventors: **Patrick D. Hill**, Forest Park, IL (US); **Braden J. Galbreath-O'Leary**, Oak Park, IL (US); **Michael C. Wever**, Dothan, AL (US)

(73) Assignee: **TRIPLEPOINT ENVIRONMENTAL LLC**, Oak Park, IL (US)

(\*\*) Term: **14 Years**

(21) Appl. No.: **29/508,202**

(22) Filed: **Nov. 4, 2014**

(51) **LOC (10) Cl.** ..... **23-01**

(52) **U.S. Cl.**  
USPC ..... **D23/213; D23/207; D23/220**

(58) **Field of Classification Search**  
USPC ..... **D23/213, 207, 220, 200; 261/83, 91; 210/605, 242.1, 170.05, 170.06, 210/170.09**

CPC ..... **C02F 3/302; C02F 3/20**  
See application file for complete search history.

(56) **References Cited**

**U.S. PATENT DOCUMENTS**

2,220,859	A *	11/1940	Bispham	.....	C02F 3/006	210/150
D150,296	S *	7/1948	Hubbard	.....	D23/220	
3,704,009	A *	11/1972	Kalbskopf	.....	B01F 3/0478	210/219
3,704,868	A *	12/1972	Weis	.....	B01F 3/0478	210/197
3,820,764	A *	6/1974	Kaelin	.....	B02C 18/0084	210/219
3,928,512	A *	12/1975	Cherry	.....	B01F 3/04773	261/120
4,048,072	A *	9/1977	McCullough	.....	B01F 3/04262	210/220
4,201,663	A *	5/1980	Rollag	.....	C02F 3/00	210/198.1

4,622,139	A *	11/1986	Brown	.....	B01F 3/04262	210/170.06
5,897,777	A *	4/1999	Zoeller	.....	C02F 1/006	210/150
D436,647	S *	1/2001	Etschel	.....	D23/200	
7,252,766	B2 *	8/2007	Stuth, Sr.	.....	C02F 3/06	210/150
7,648,629	B2 *	1/2010	Prokopchuk	.....	C02F 1/003	210/170.05
7,850,151	B2 *	12/2010	Kim	.....	B01D 65/00	261/124
8,007,665	B2 *	8/2011	Kamiyama	.....	C02F 3/308	210/143

(Continued)

*Primary Examiner* — Robin V Webster

(74) *Attorney, Agent, or Firm* — KMF Patent Services, PLLC; Kenneth M. Fagin, Esq.

(57) **CLAIM**

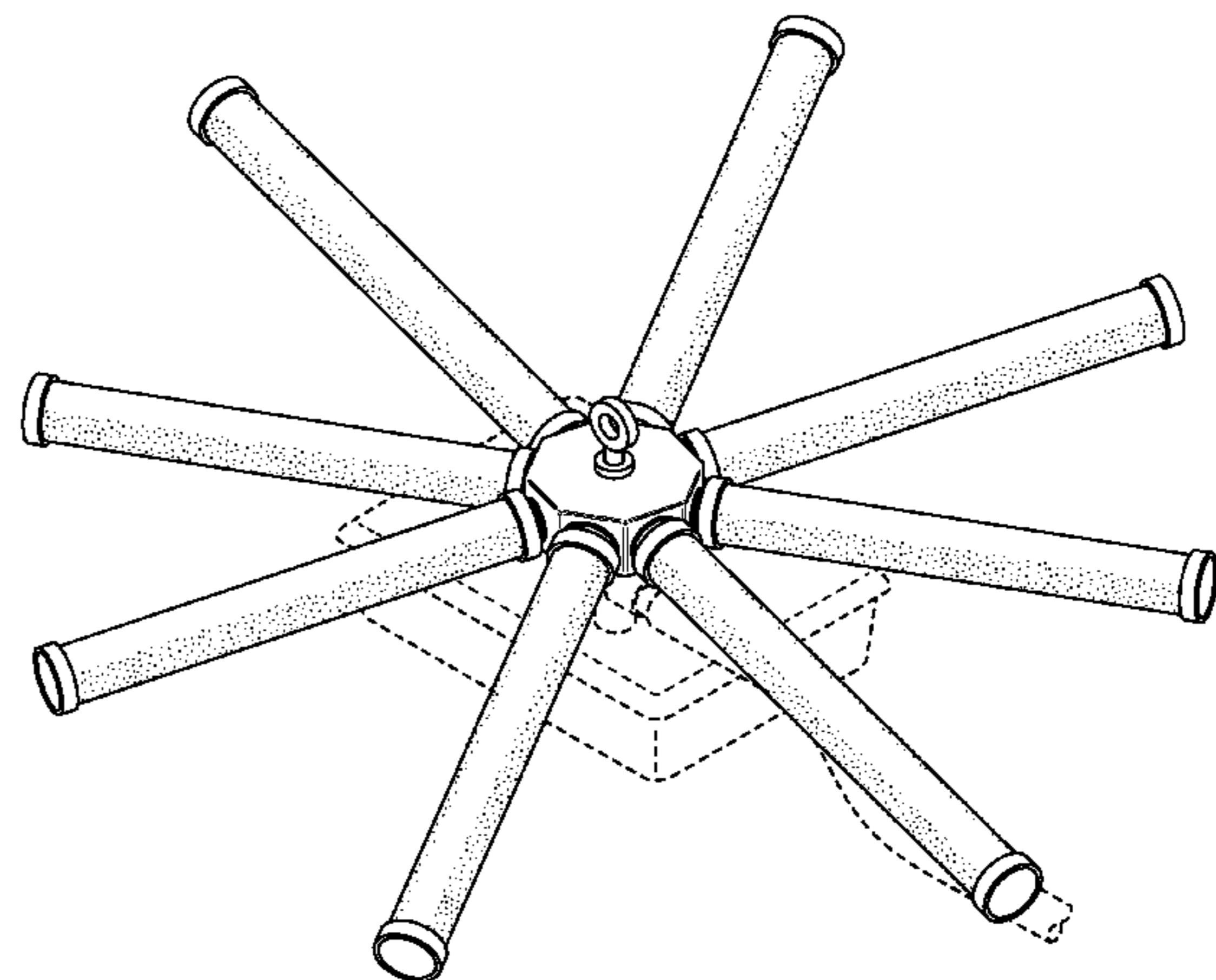
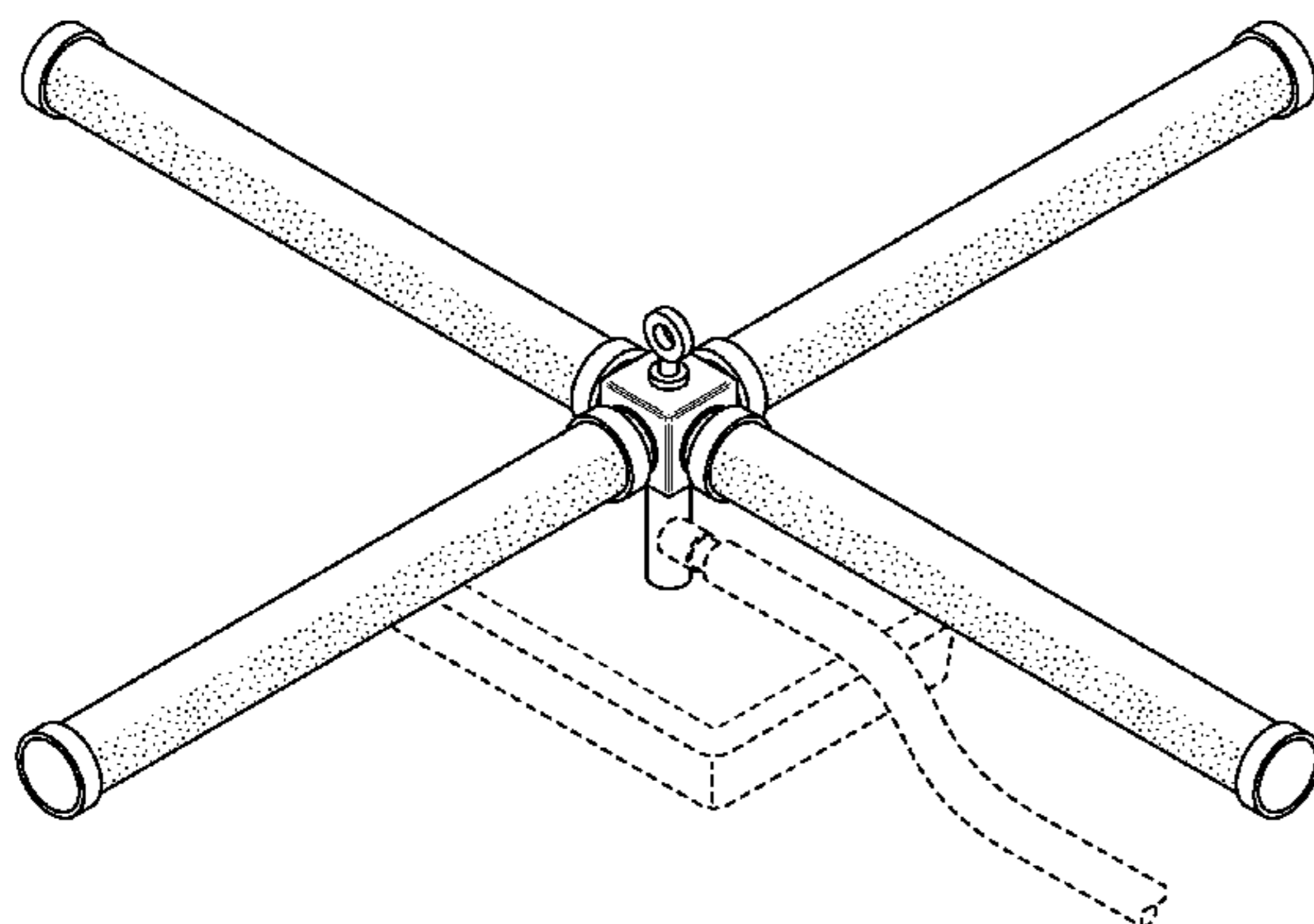
The ornamental design for an aerator hub and aerator assembly, as shown and described.

**DESCRIPTION**

FIG. 1 is a perspective view of an aerator hub and aerator assembly showing our new design;  
 FIG. 2 is a front view thereof, the rear being identical;  
 FIG. 3 is a right side view thereof, the left being identical;  
 FIG. 4 is a top plan view thereof;  
 FIG. 5 is a bottom plan view thereof;  
 FIG. 6 is a perspective view of a second embodiment thereof;  
 FIG. 7 is a front view thereof, the rear being identical;  
 FIG. 8 is a right side view thereof, the left being identical;  
 FIG. 9 is a top plan view thereof;  
 FIG. 10 is a bottom plan view thereof;  
 FIG. 11 is a perspective view of a third embodiment thereof;  
 FIG. 12 is a front view thereof, the rear being identical;  
 FIG. 13 is a right side view thereof, the left being identical;  
 FIG. 14 is a top plan view thereof; and,  
 FIG. 15 is a bottom plan view thereof.

The broken line showing in the drawing view is included for the purpose of illustrating and forms no part of the claimed design.

**1 Claim, 12 Drawing Sheets**



(56)

**References Cited**

\* cited by examiner

U.S. PATENT DOCUMENTS

8,500,107 B2 \* 8/2013 Magen ..... A01K 63/042  
210/242.2  
D709,591 S \* 7/2014 Hoefken ..... D23/200

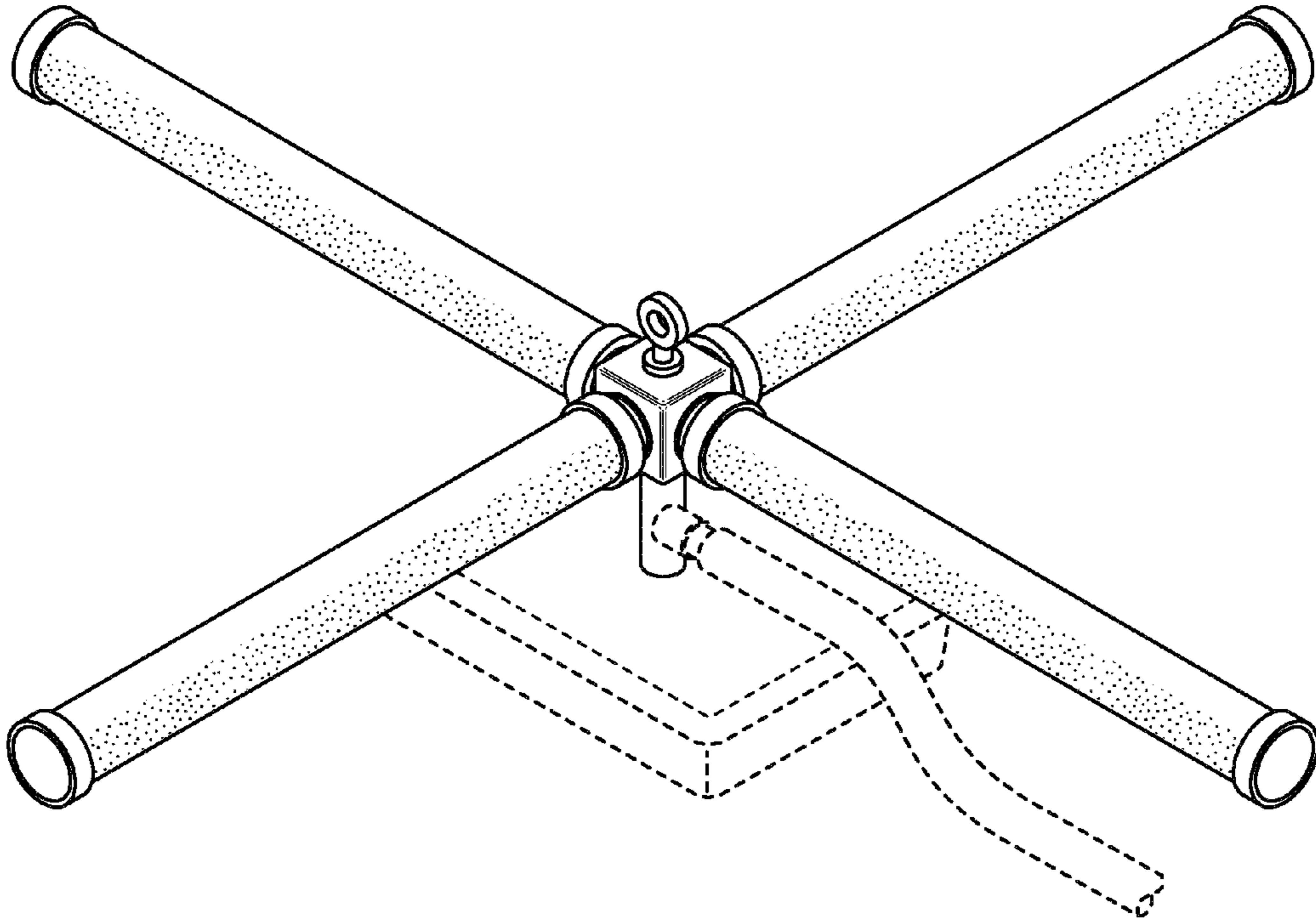


FIG. 1

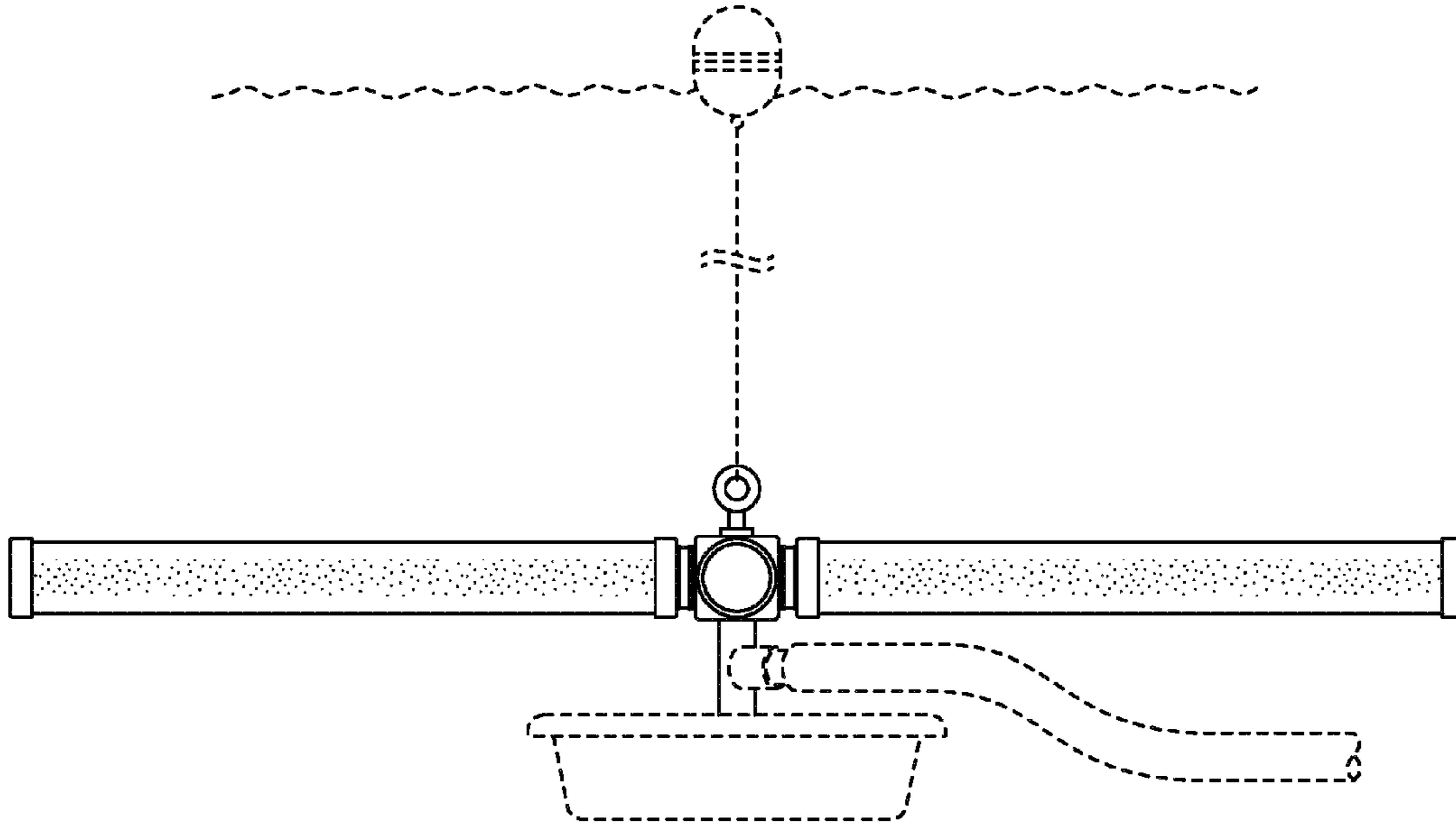


FIG. 2

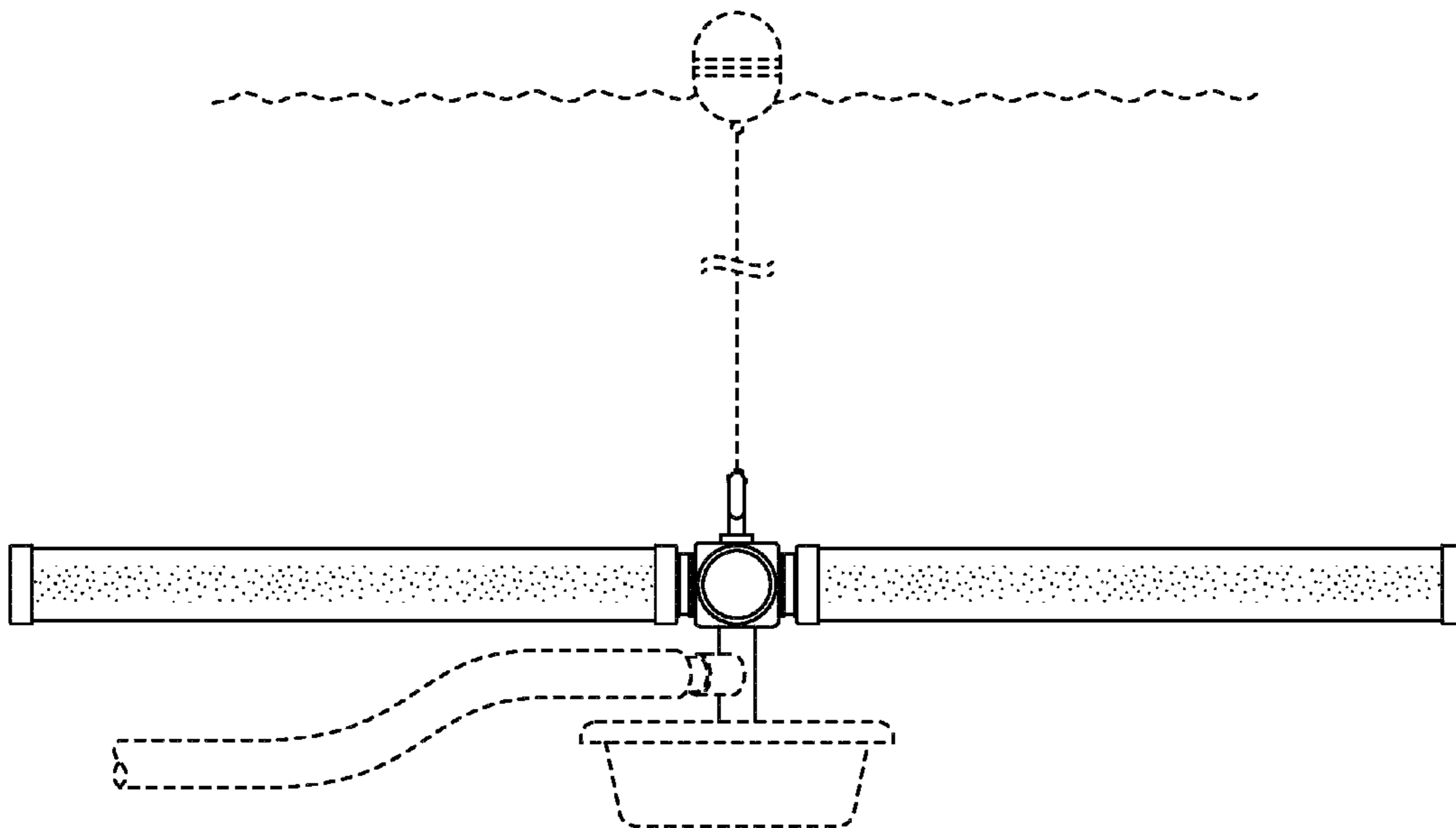


FIG. 3

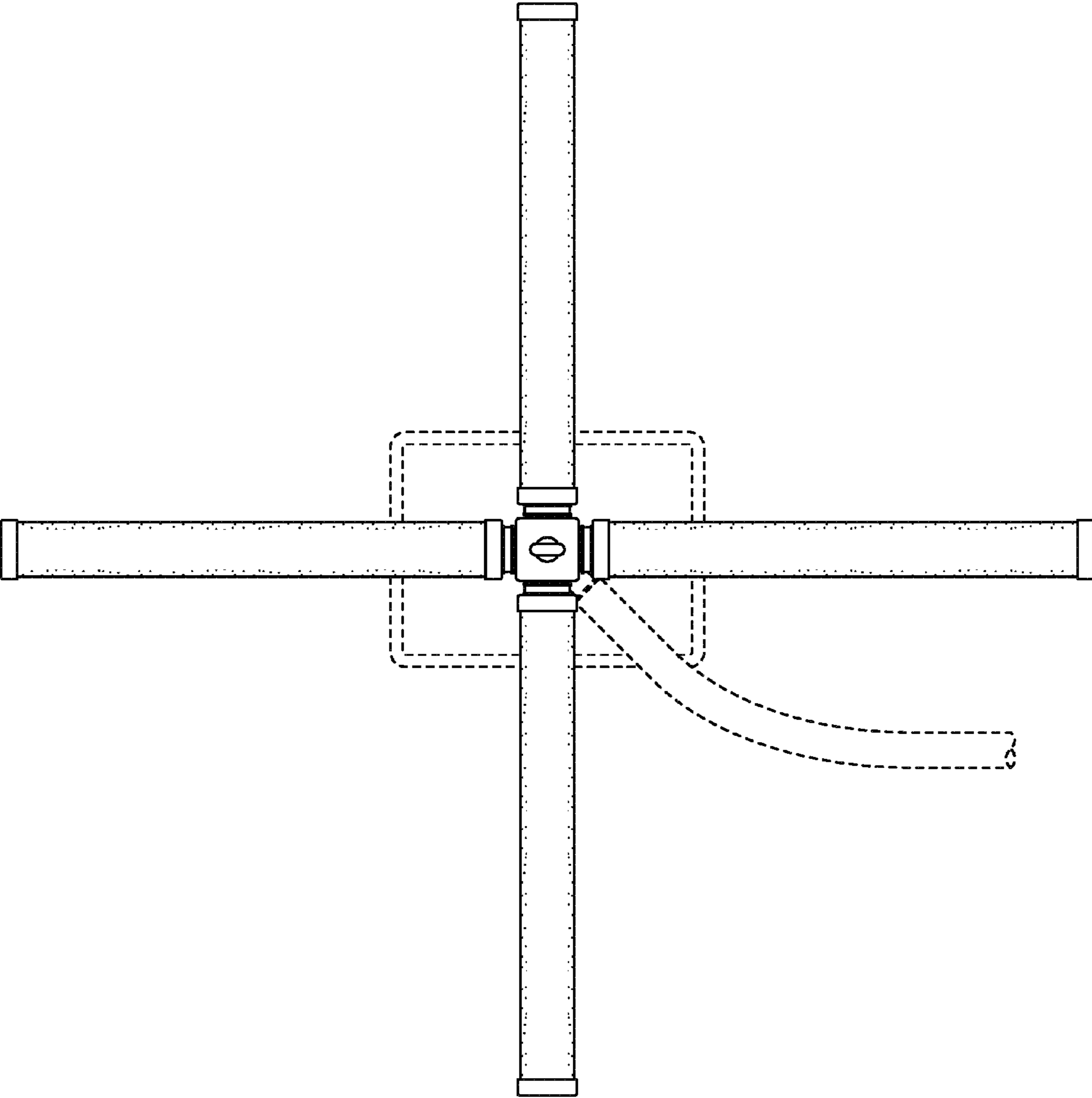


FIG. 4

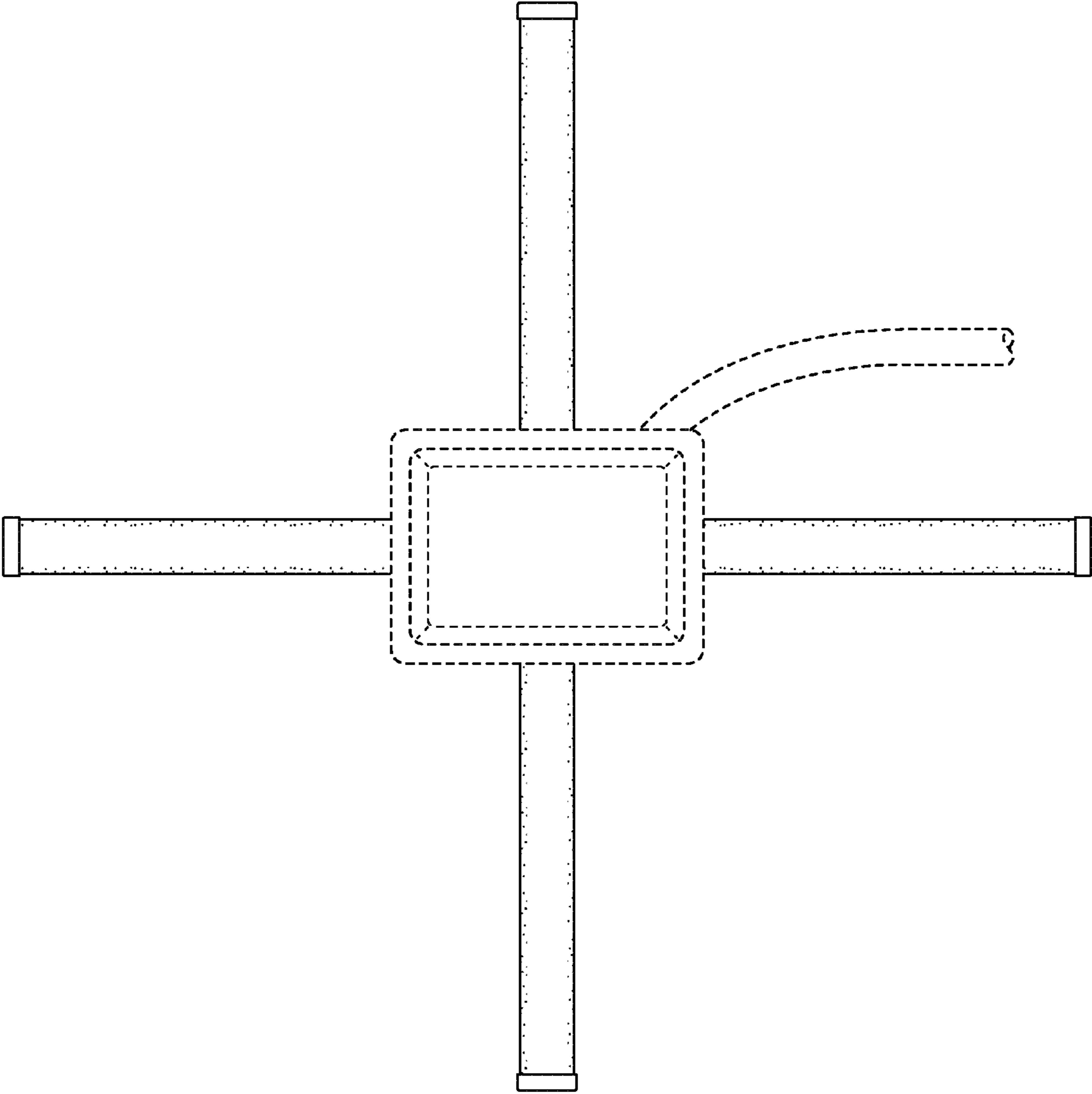


FIG. 5



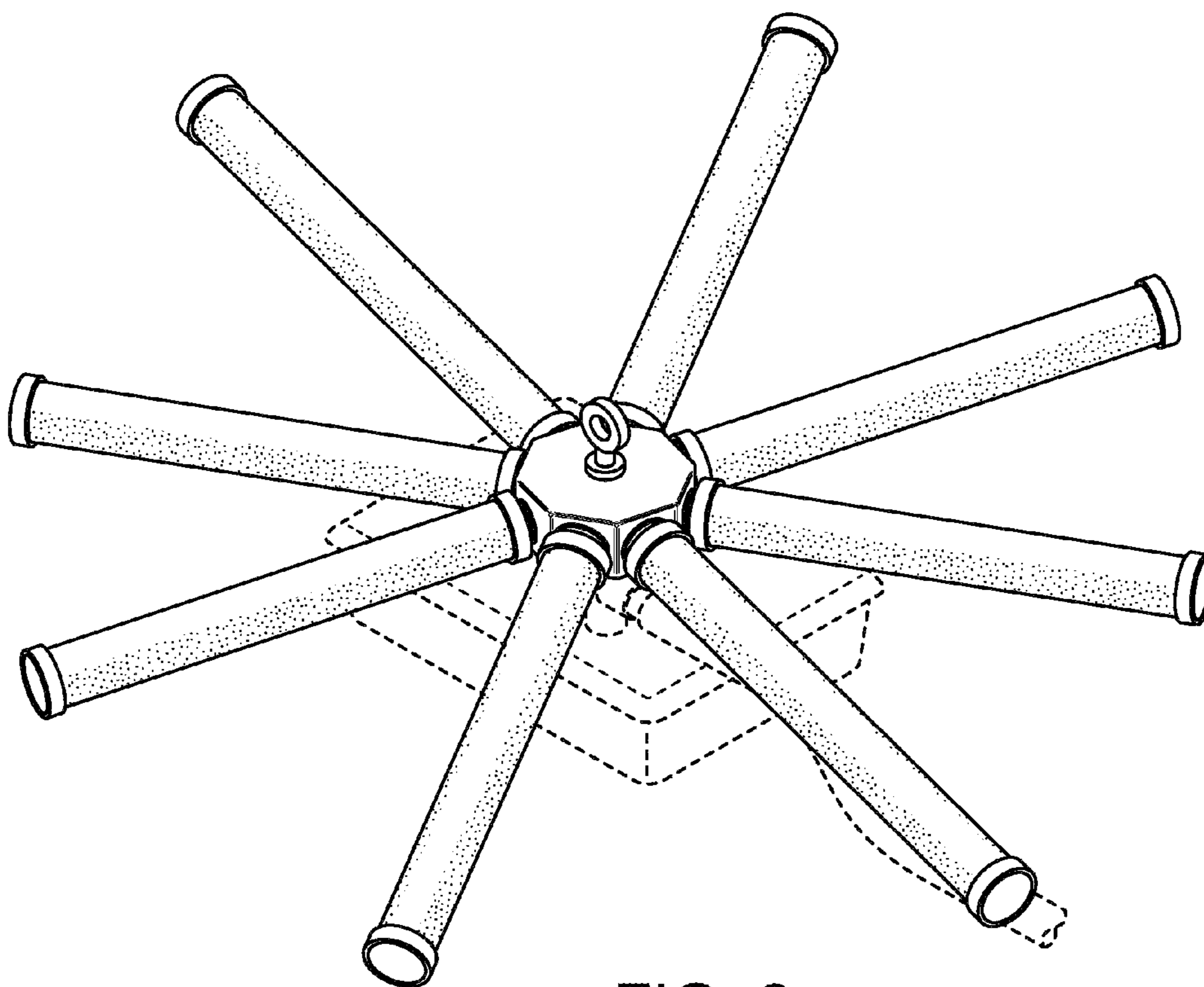


FIG. 6

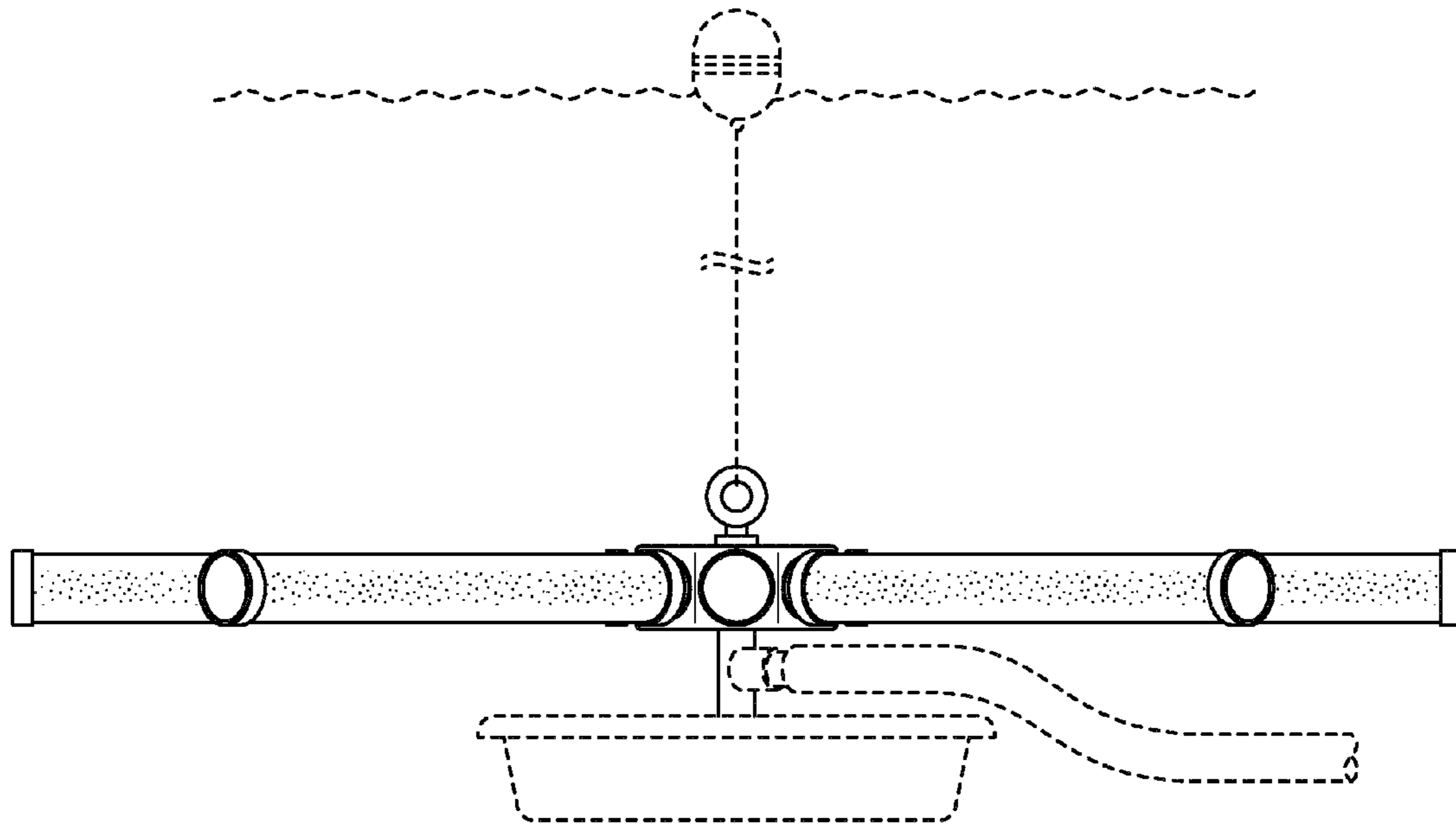


FIG. 7

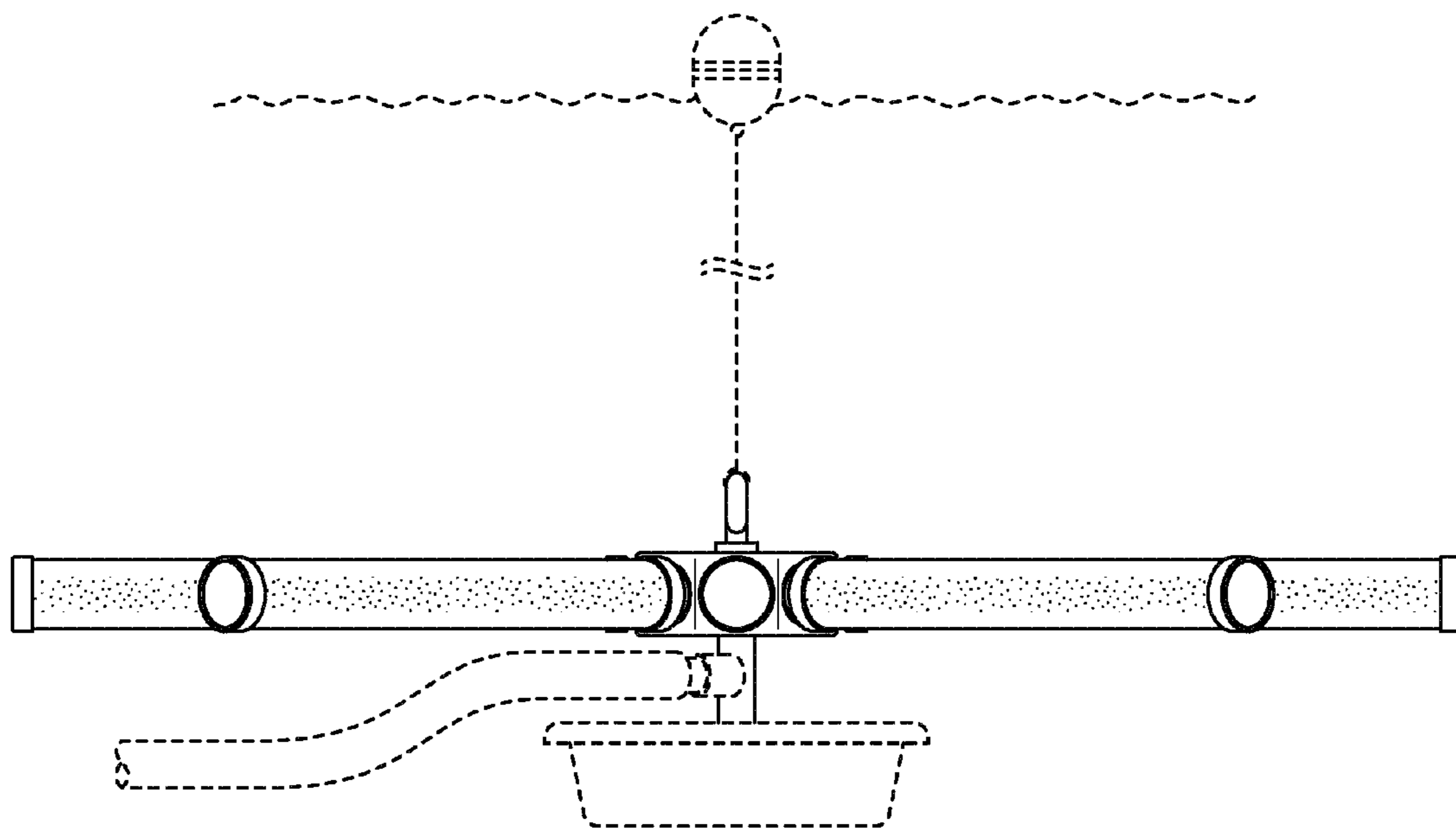


FIG. 8



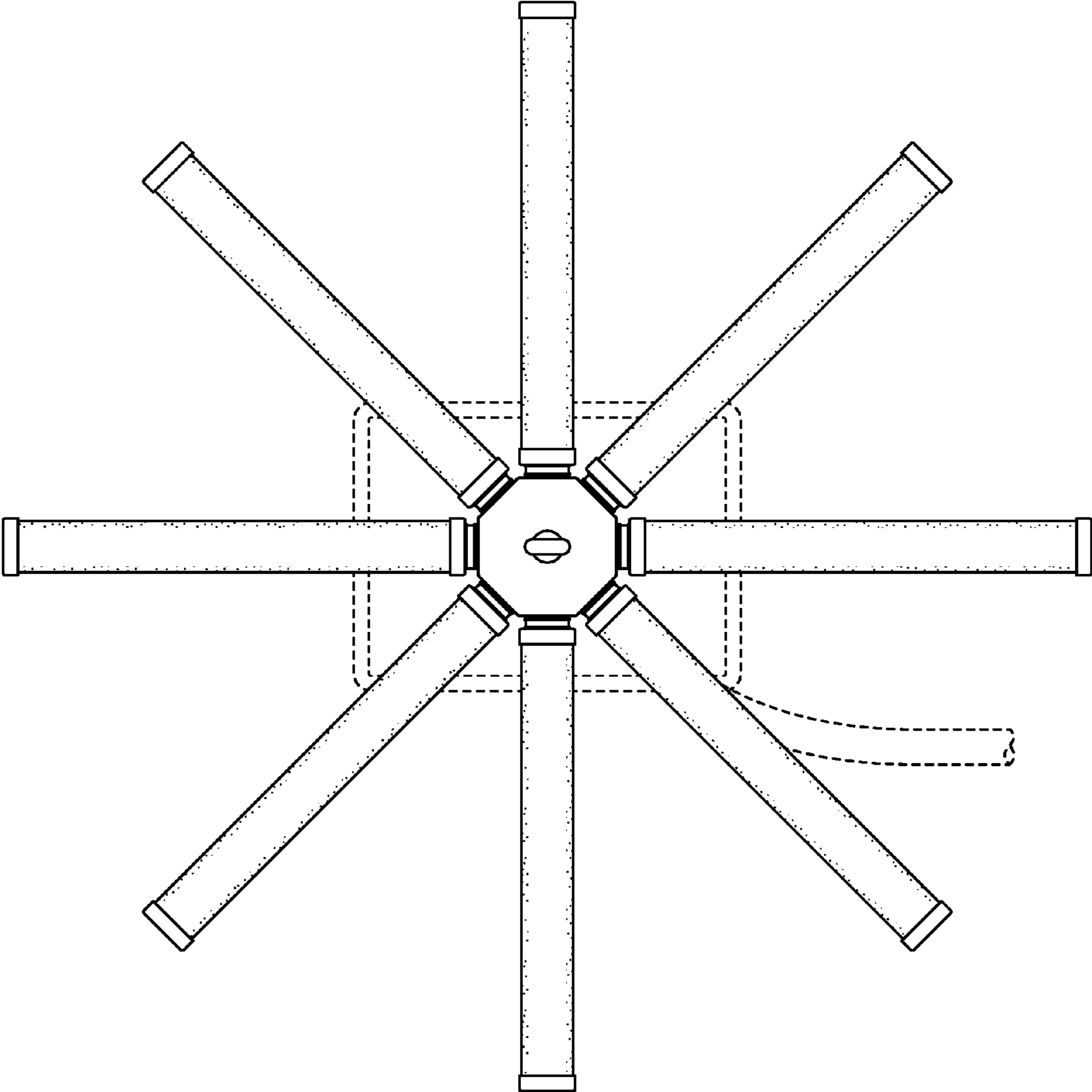


FIG. 9

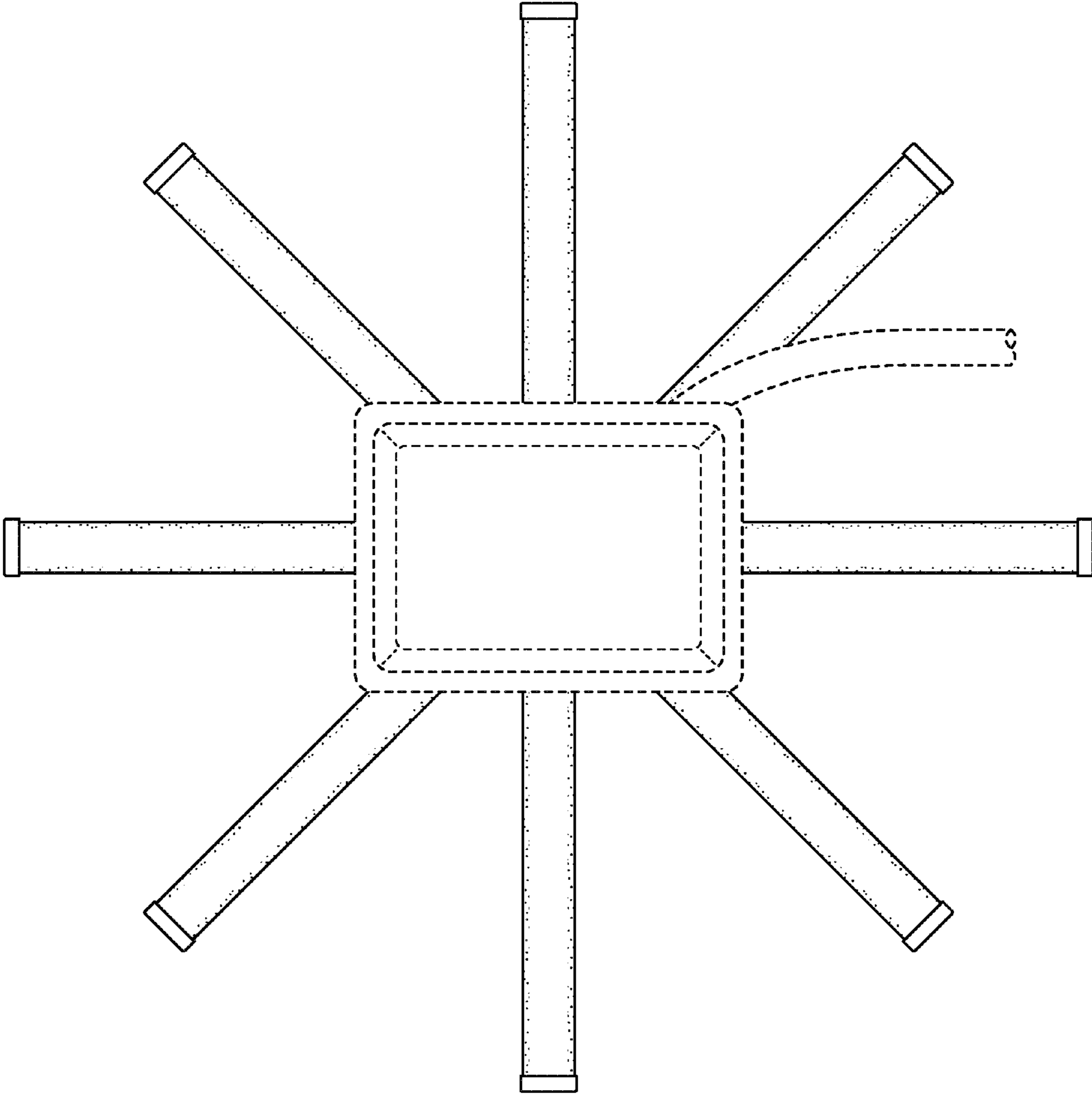


FIG. 10

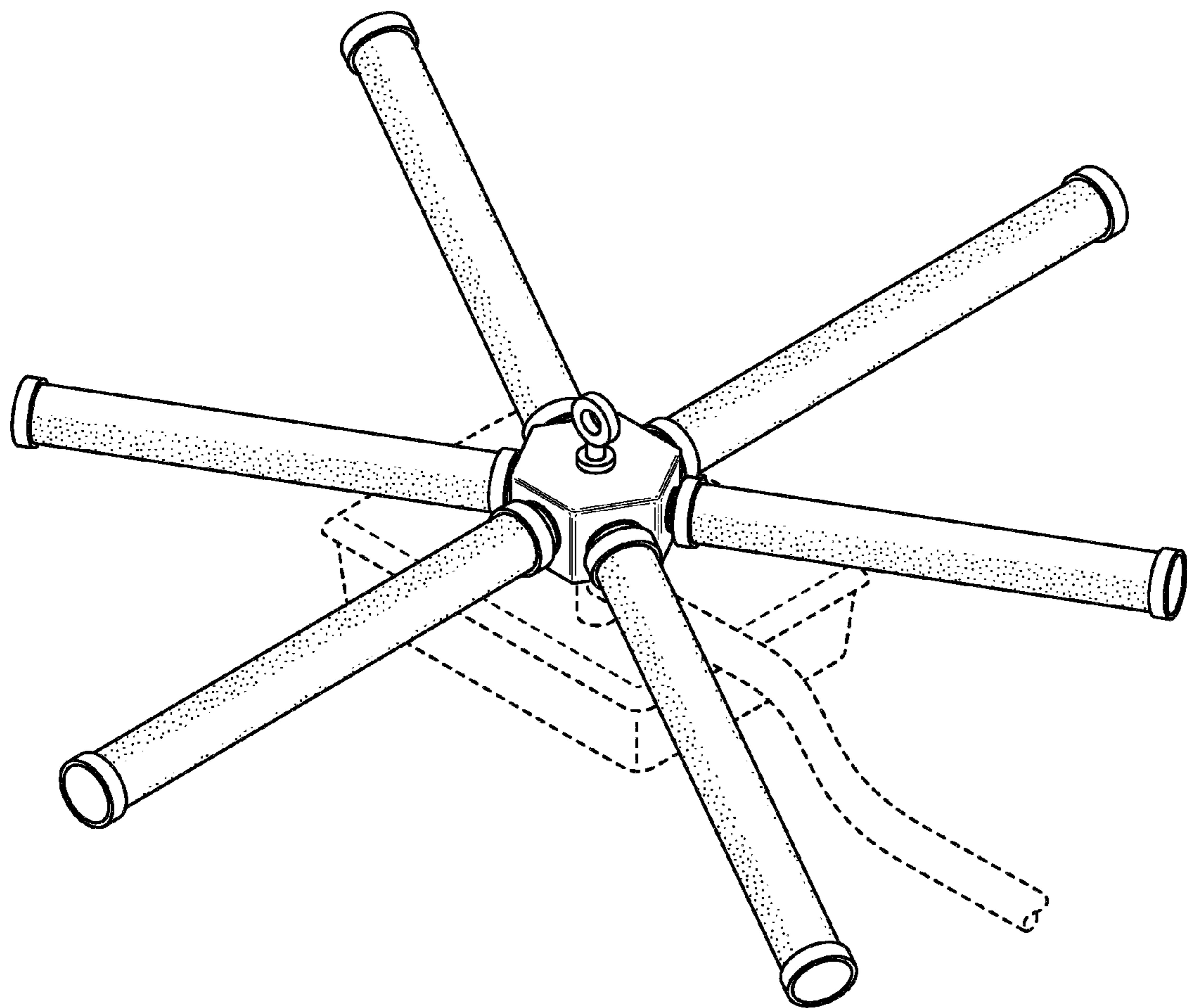


FIG. 11

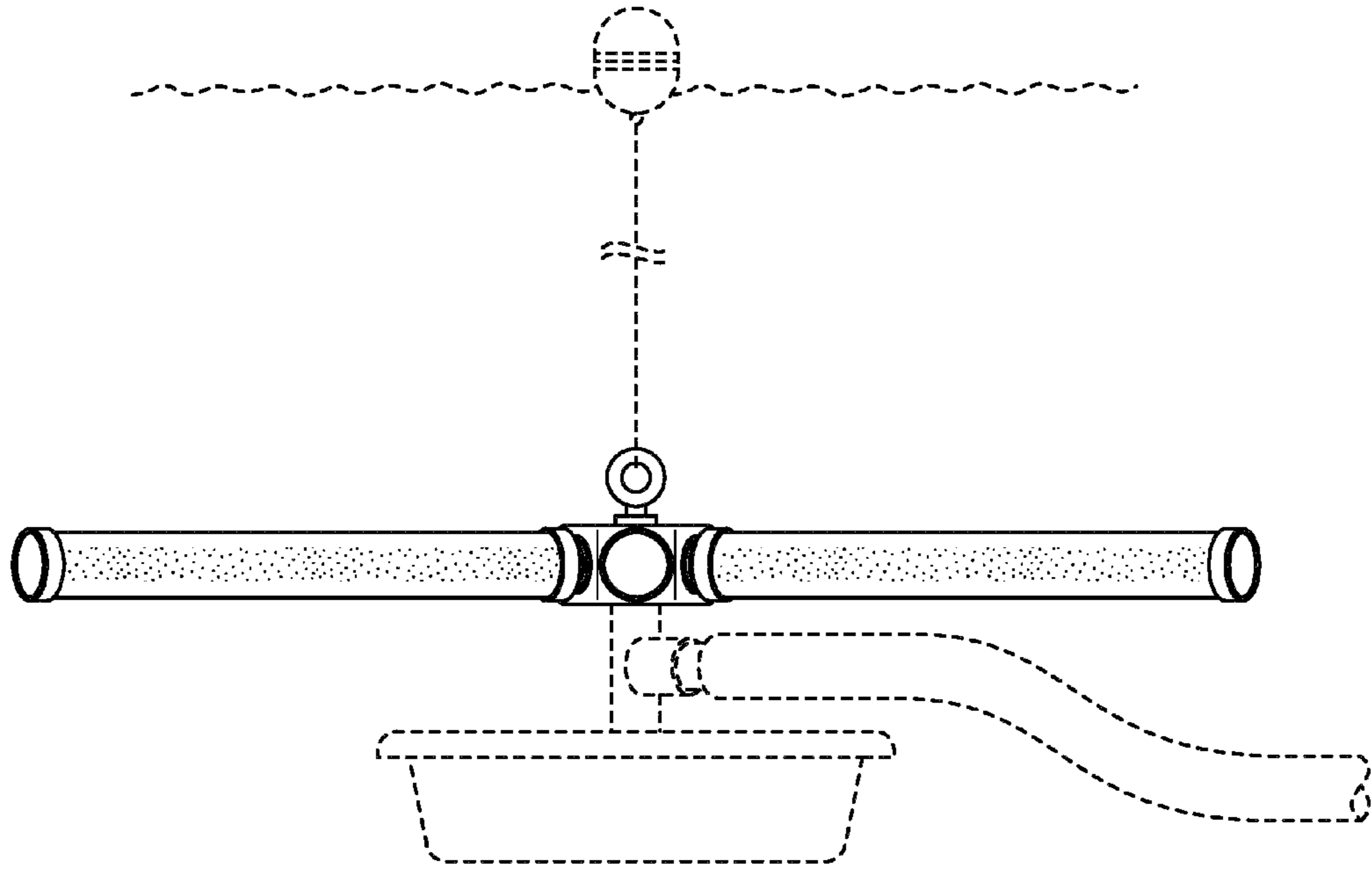


FIG. 12

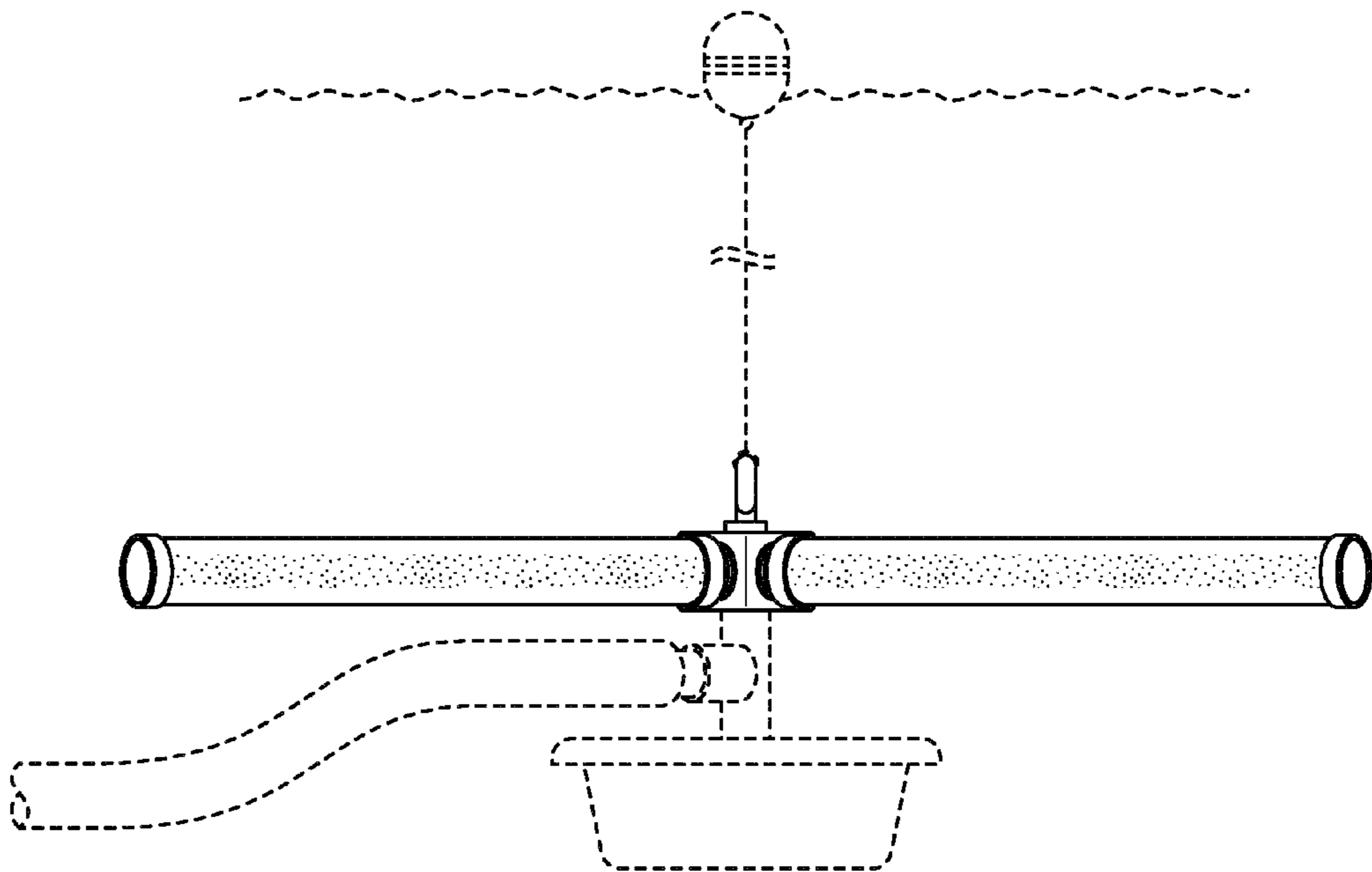


FIG. 13

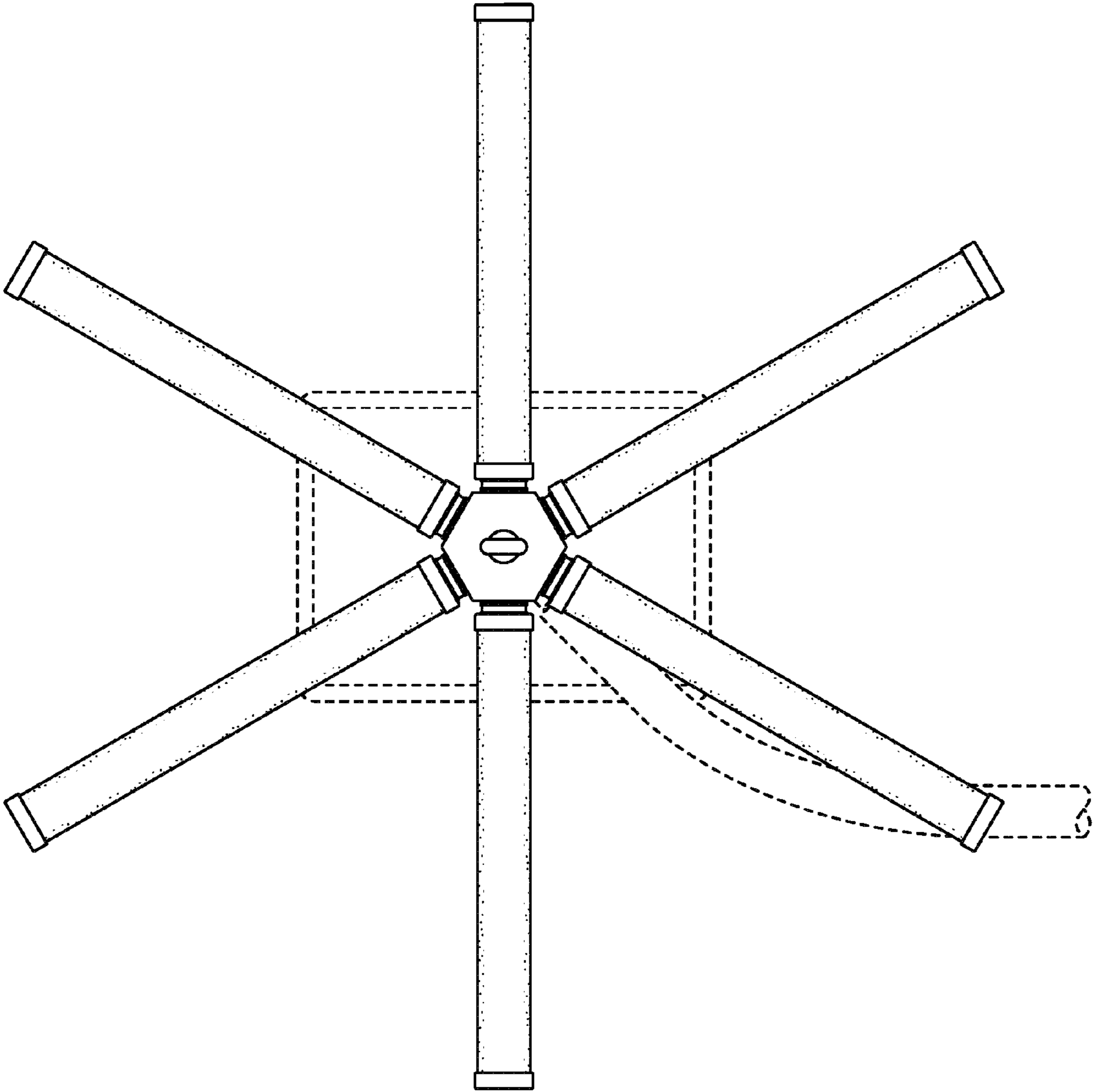


FIG. 14

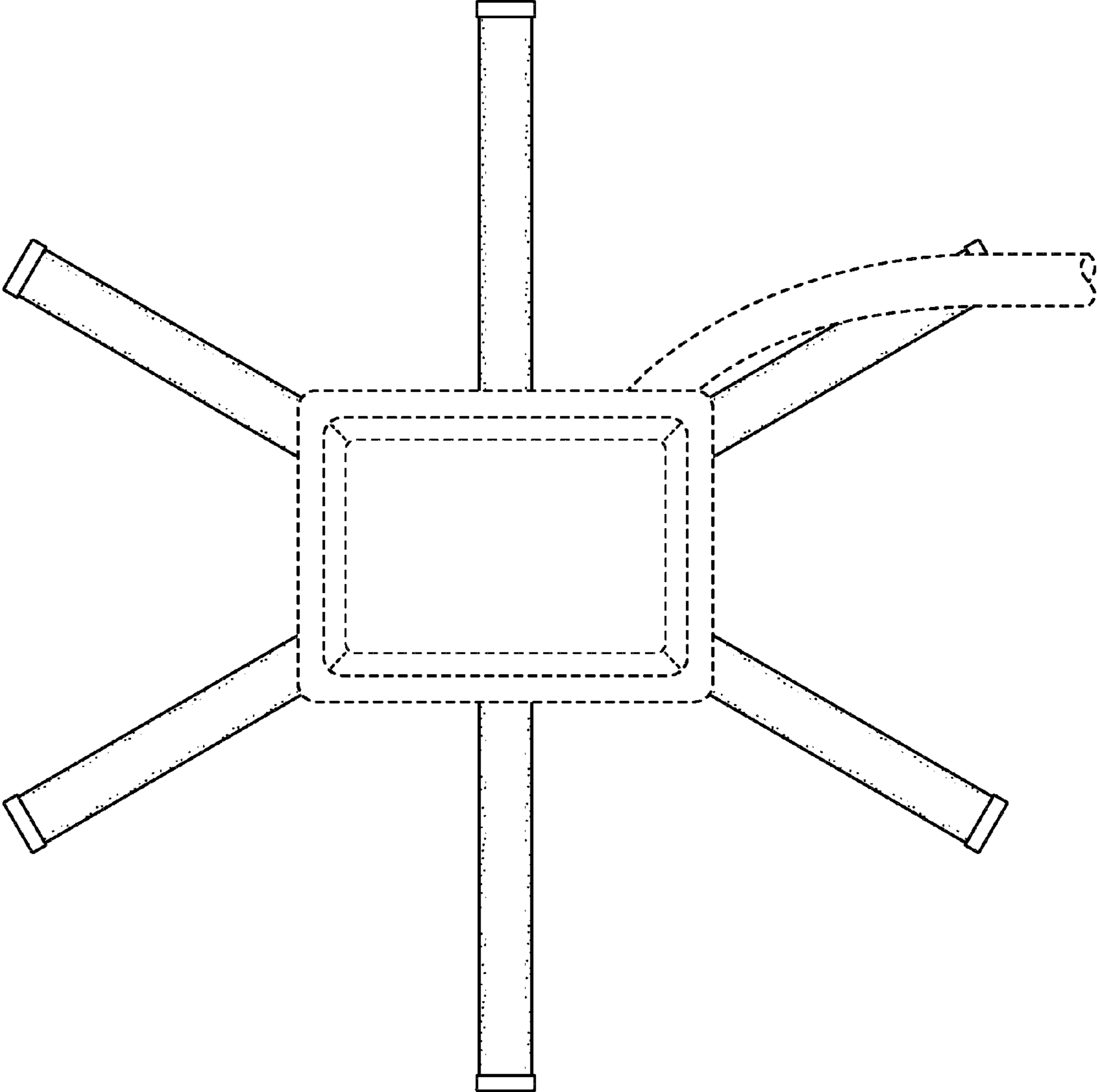


FIG. 15