



US00D771768S

(12) **United States Design Patent** (10) **Patent No.:** **US D771,768 S**
Kim (45) **Date of Patent:** **** Nov. 15, 2016**

(54) **FISH HOOK**

(71) Applicant: **Il Han Kim**, Daegu (KR)

(72) Inventor: **Il Han Kim**, Daegu (KR)

(**) Term: **15 Years**

(21) Appl. No.: **29/527,508**

(22) Filed: **May 20, 2015**

(51) **LOC (10) Cl.** **22-05**

(52) **U.S. Cl.**
USPC **D22/144**

(58) **Field of Classification Search**
USPC D22/144; 43/4.5, 37, 44.8, 44.83,
43/44.95; D3/28
CPC A01K 83/00
See application file for complete search history.

(56) **References Cited**

U.S. PATENT DOCUMENTS

D404,795 S *	1/1999	Nakagawa	D22/144
D487,913 S *	3/2004	Asada	D22/144
D507,034 S *	7/2005	Robertson	D22/144
D586,424 S *	2/2009	Gibbs	D22/144
D633,594 S *	3/2011	McNaughton	D22/144
D746,941 S *	1/2016	Bartell	D22/144
D751,664 S *	3/2016	Bennis	D22/144

* cited by examiner

Primary Examiner — Catheri Oliver-Garcia

(74) *Attorney, Agent, or Firm* — Revolution IP, PLLC

(57) **CLAIM**

The ornamental design for a “fish hook,” as shown and described.

DESCRIPTION

FIG. 1 is a perspective view of a fish hook showing my new design;
FIG. 2 is a front elevational view thereof;
FIG. 3 is a rear elevational view thereof;
FIG. 4 is a left side elevational view thereof;
FIG. 5 is a right side elevational view thereof;
FIG. 6 is a top view thereof;
FIG. 7 is a bottom view thereof;
FIG. 8 is an enlarged view thereof defined by the broken line circled on FIG. 6;
FIG. 9 is an enlarged view thereof defined by the broken line circled on FIG. 7; and,
FIG. 10 is another perspective view thereof.
The dash-dot-dash lines represent boundary lines. The remaining broken lines depict environment and are for illustrative purposes only and form no part of the claimed design.

1 Claim, 9 Drawing Sheets

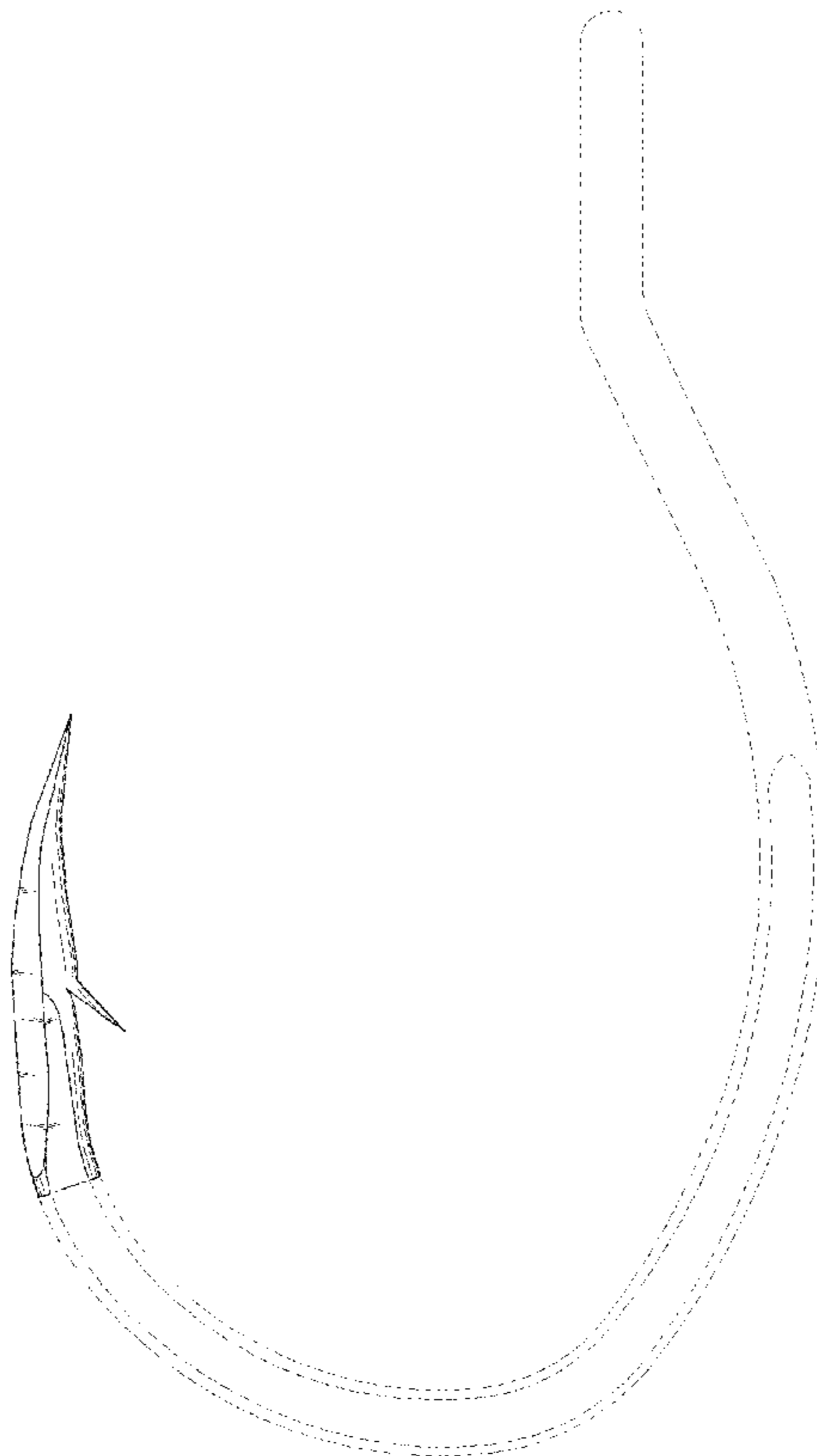


FIG. 1

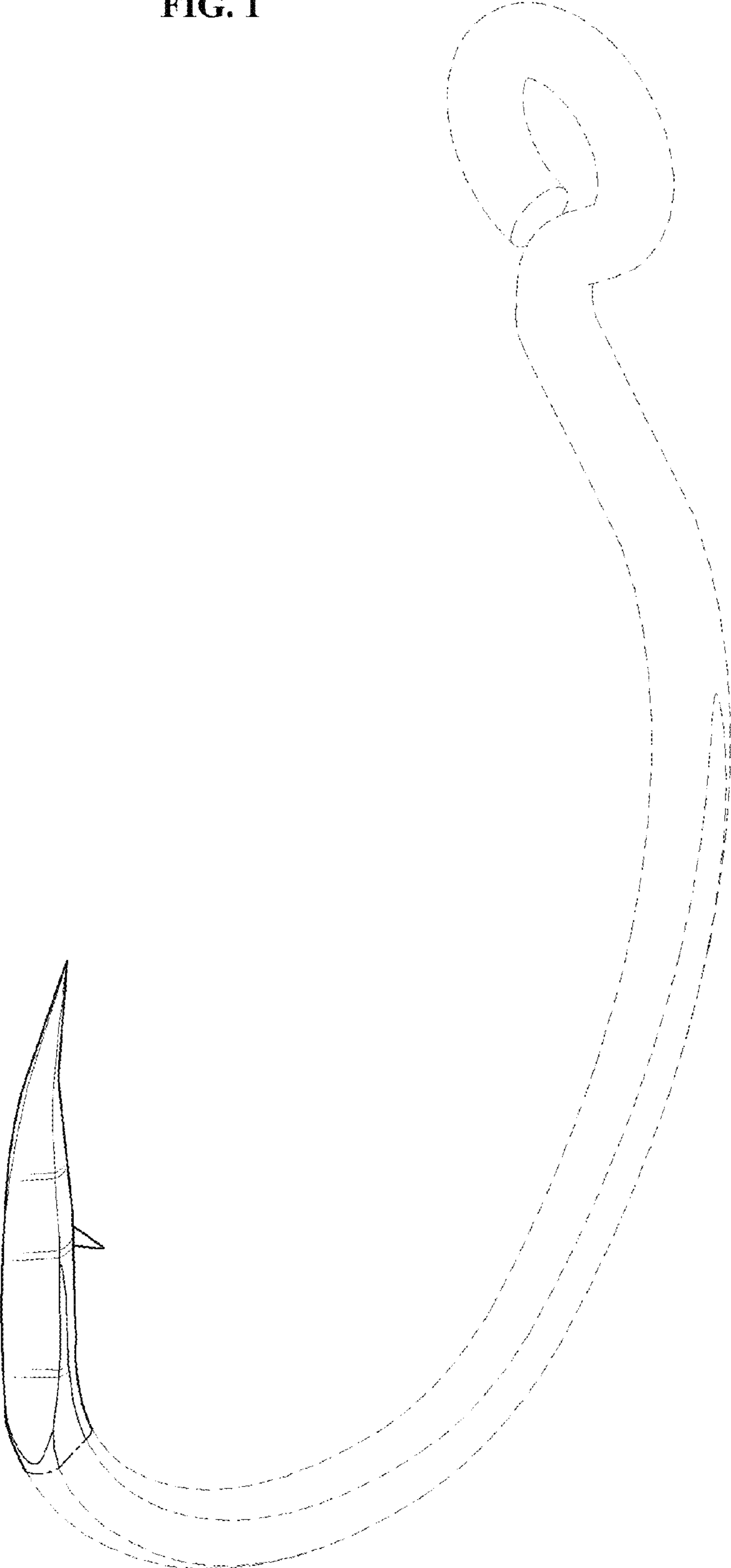


FIG. 2

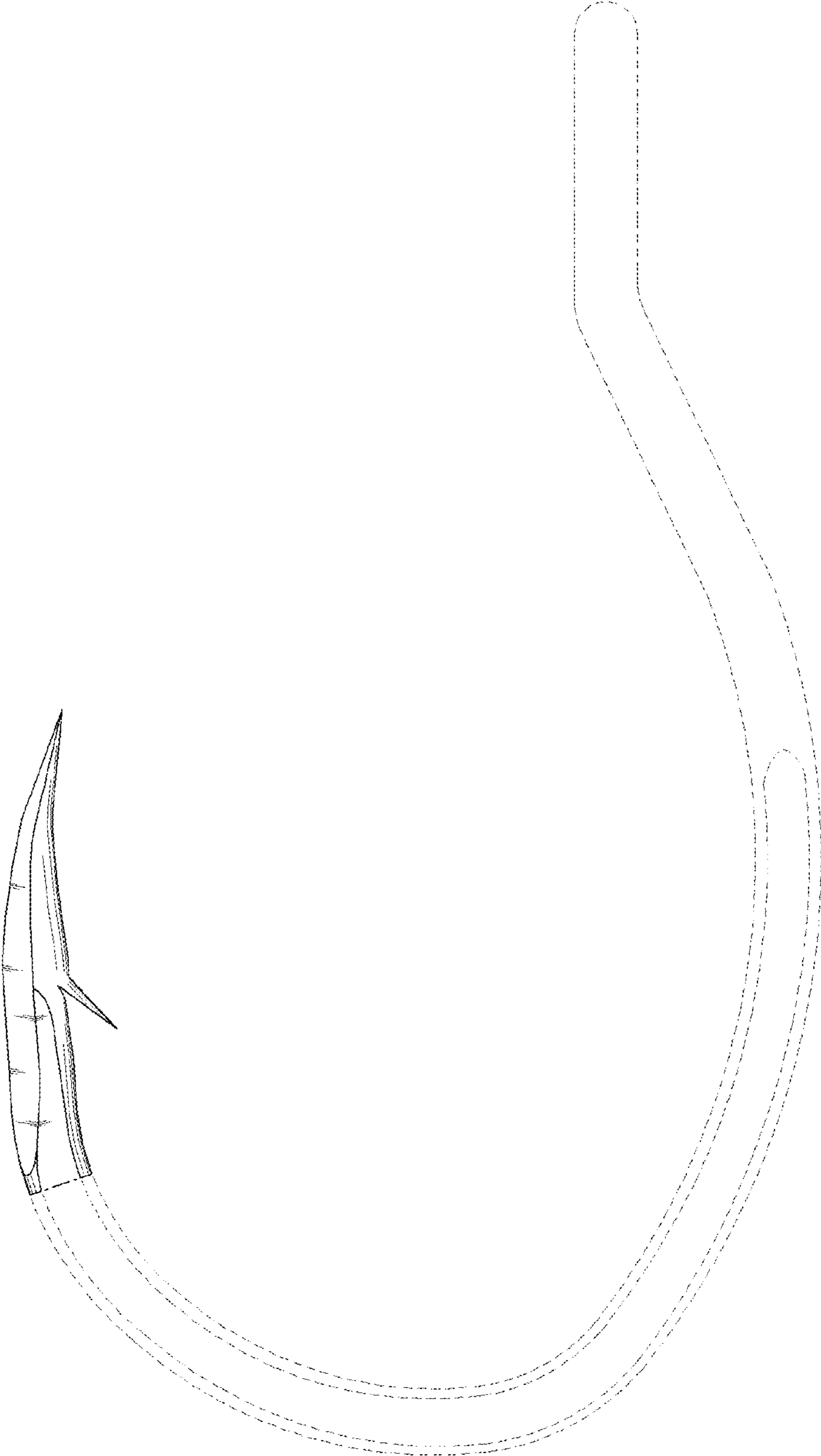


FIG. 3

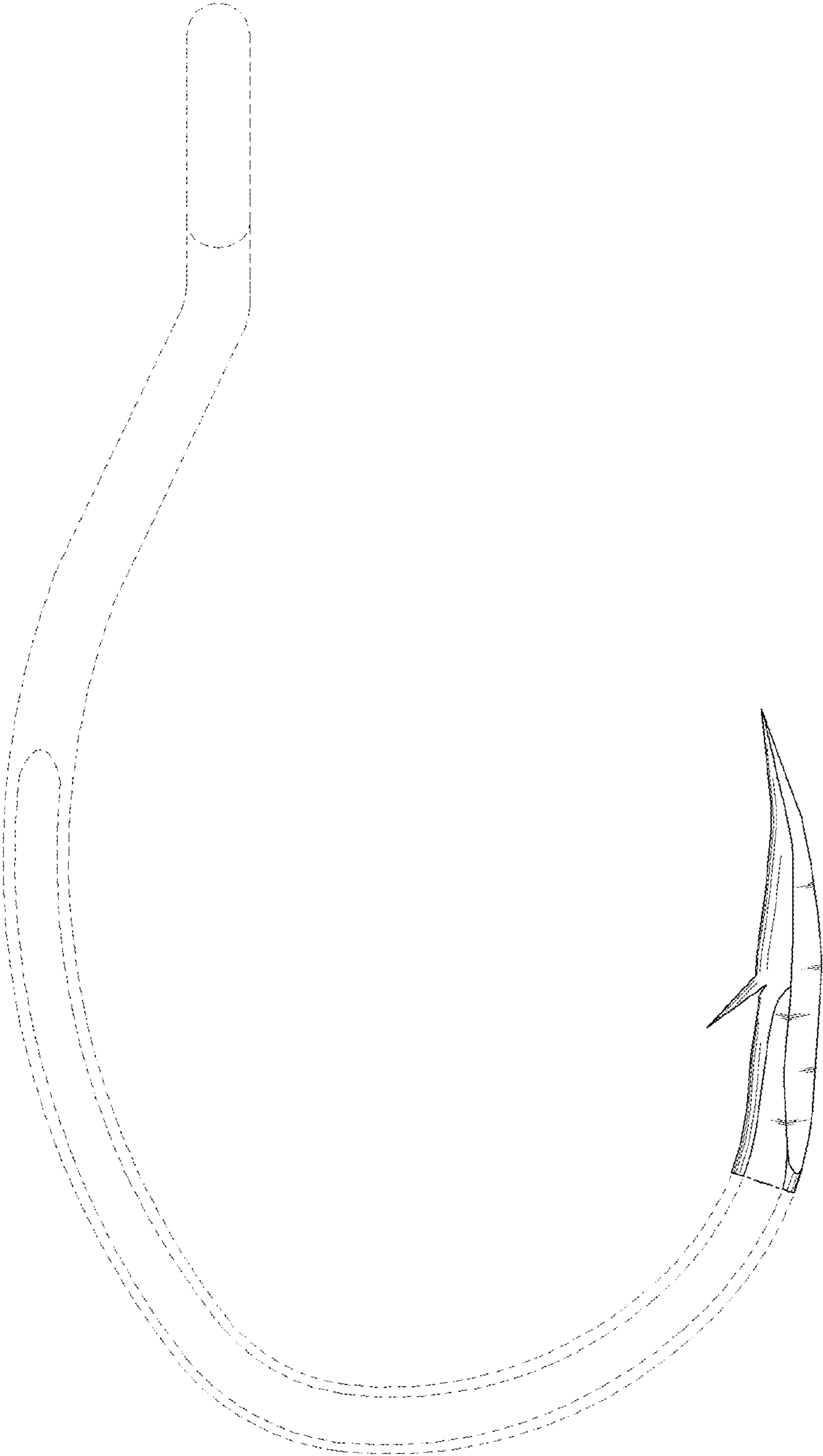


FIG. 4

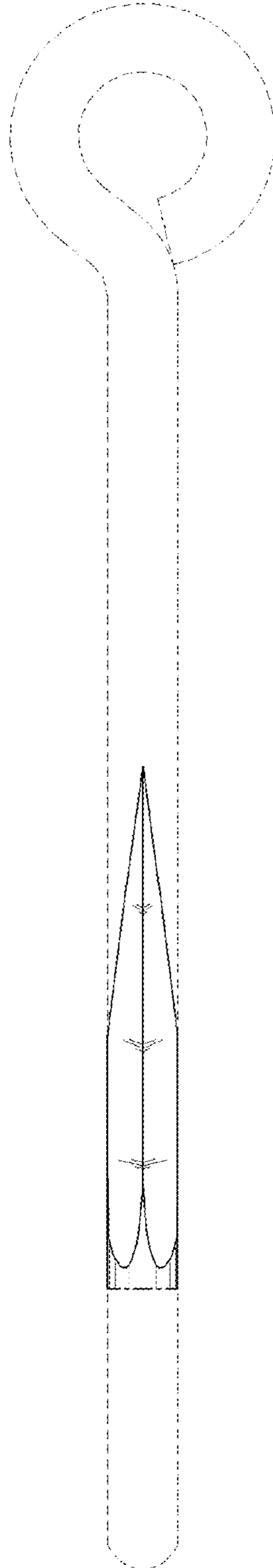


FIG. 5

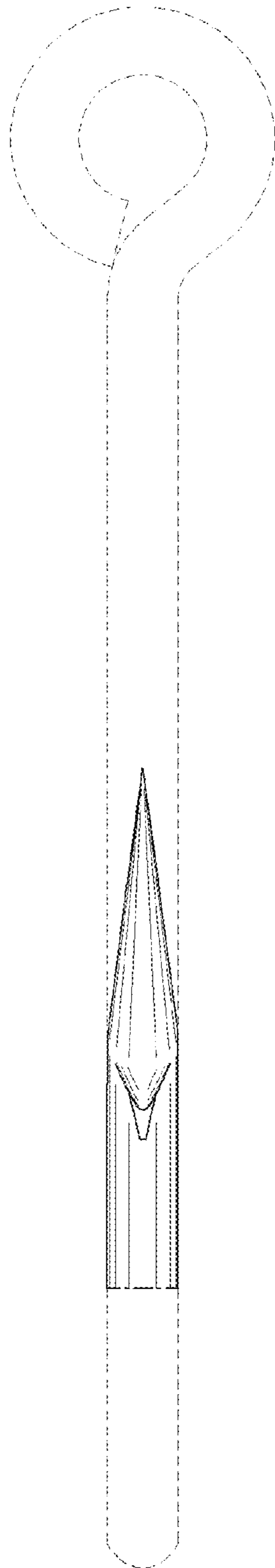


FIG. 6



FIG. 7



FIG. 8

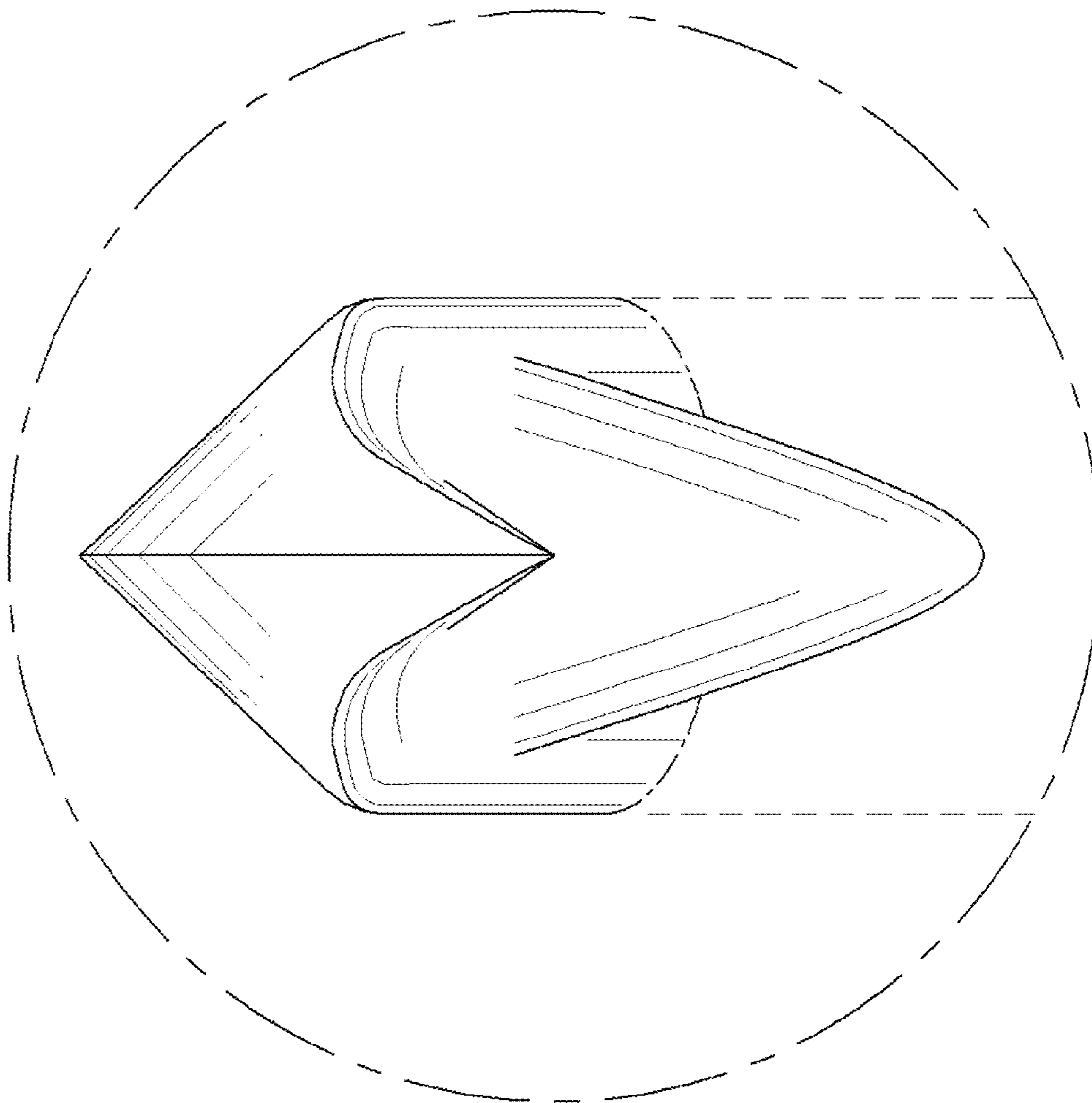


FIG. 9

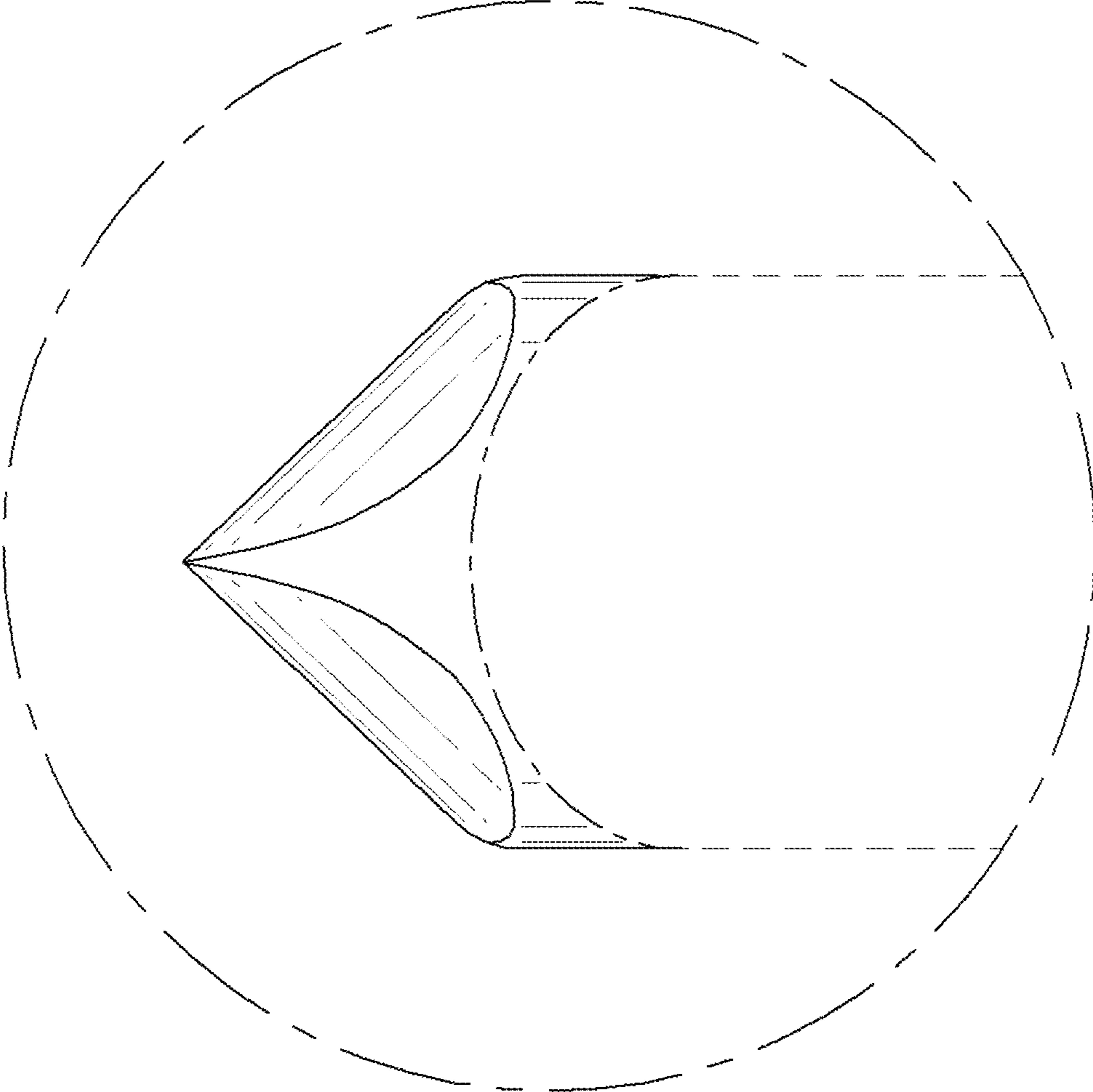


FIG. 10

