



US00D771767S

(12) **United States Design Patent** (10) **Patent No.:** **US D771,767 S**
Niswander (45) **Date of Patent:** **** Nov. 15, 2016**

(54) **TRIGGER**

D716,404 S * 10/2014 Capps D22/108
D740,907 S * 10/2015 Oglesby D22/108
D750,725 S * 3/2016 Capps D22/108

(71) Applicant: **Agency Arms, LLC**, Camarillo, CA
(US)

(Continued)

(72) Inventor: **Randy Paul Niswander**, Oxnard, CA
(US)

FOREIGN PATENT DOCUMENTS

(73) Assignee: **AGENCY ARMS, LLC**, Camarillo,
CA (US)

CA 2672107 * 1/2010

(**) Term: **15 Years**

OTHER PUBLICATIONS

(21) Appl. No.: **29/547,588**

Fitted Trigger, Agency Arms website, [online], [site visited Sep. 12, 2016]. <URL: <http://www.agencyarms.com/fitted-trigger>>.*

(Continued)

(22) Filed: **Dec. 4, 2015**

(51) **LOC (10) Cl.** **22-01**

(52) **U.S. Cl.**
USPC **D22/108**

(58) **Field of Classification Search**
USPC D22/103, 104, 108; D21/572, 573;
D8/68; D9/448; 42/71.02
CPC F41A 19/10; F41A 17/46; F41A 35/00;
F41A 19/09; F41A 19/11; F41A 19/21;
F41C 27/00

Primary Examiner — T. Chase Nelson

Assistant Examiner — Jonathan J Han

(74) *Attorney, Agent, or Firm* — Sutherland Asbill &
Brennan LLP

See application file for complete search history.

(57) **CLAIM**

The ornamental design for a trigger, as shown and described.

(56) **References Cited**

U.S. PATENT DOCUMENTS

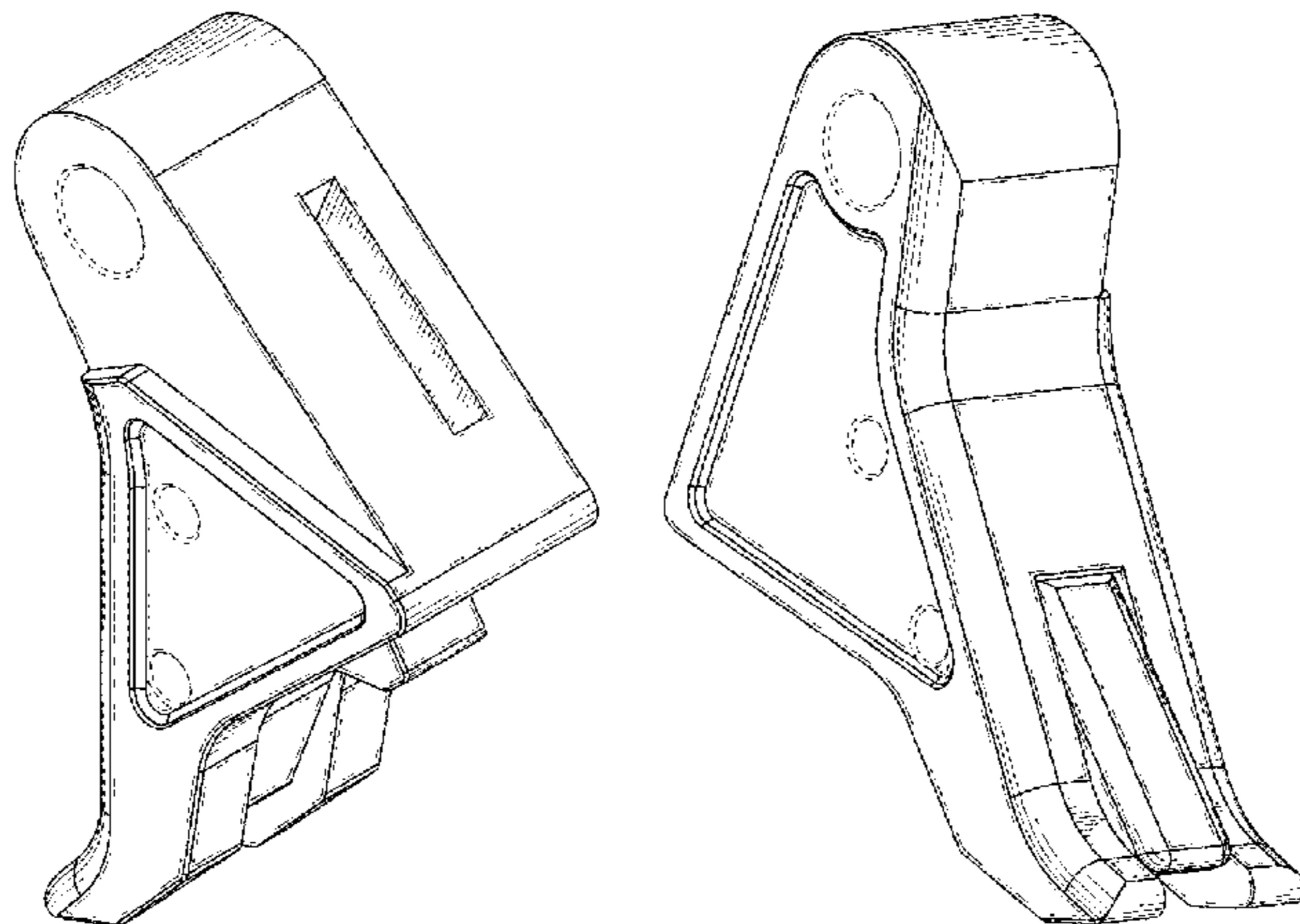
D371,591 S * 7/1996 Lenkarski D22/100
D388,149 S * 12/1997 Langner D22/100
D430,916 S * 9/2000 Bubits D22/100
D461,694 S * 8/2002 Buck D8/68
D462,105 S * 8/2002 Myers D22/108
D479,570 S * 9/2003 Scheunert D22/104
D504,168 S * 4/2005 McCormick D22/108
7,506,469 B2 * 3/2009 Poulin F41A 11/02
42/71.02
D593,617 S * 6/2009 Dochterman D21/573
D597,625 S * 8/2009 Pflaumer D22/104
D597,626 S * 8/2009 Krieger D22/108
D627,028 S * 11/2010 Coulombier D22/104
D659,790 S * 5/2012 Geissele D22/108
D705,651 S * 5/2014 Neumann D9/448

DESCRIPTION

FIG. 1 is a perspective view of a trigger for a firearm according to an embodiment of the disclosure; FIG. 2 is a another perspective view thereof; FIG. 3 is a front view thereof; FIG. 4 is a back view thereof; FIG. 5 is a side view thereof; FIG. 6 is a another side view thereof; FIG. 7 is a top view thereof; FIG. 8 is a bottom view thereof; and, FIG. 9 is a side view thereof.

The broken line circular elements in FIGS. 1, 2, 5, 6, and 9 depict portions of the trigger that form no part of the claimed design. The broken line depiction of a firearm in FIG. 9 is for the purpose of illustrating environmental structure associated with the design in a condition of use, and also forms no part of the claimed design.

1 Claim, 4 Drawing Sheets



(56)

References Cited

U.S. PATENT DOCUMENTS

D755,339 S * 5/2016 Geissele D22/108
D764,004 S * 8/2016 Bender D22/108

OTHER PUBLICATIONS

Agency Arms Drop In Trigger, Rainer Arms, [online], [site visited Sep. 12, 2016]. <URL: <https://www.rainierarms.com/agency-arms-drop-in-trigger>>.*

Walther PPS, [online], [site visited Sep. 12, 2016]. Available from Internet, <URL: <http://www.waltherarms.com/handguns/pps/pps/>>.*

Gun Review: Glock 19, Christopher Dine, Oct. 6, 2013, [online], [site visited Sep. 12, 2016]. <URL: <http://gunthink.com/gun-review-glock-19/>>.*

FMK 9C Gen2 9mm 4" barrel Dark Earth finish Fast action trigger 14 rounds, [online], [site visited Sep. 12, 2016]. Available from Internet, URL: <http://www.semperfiguns.com/product/fmk-9c2-gen2-9mm-4-barrel-dark-earth-finish-fast-action-trigger-14-rounds-1-1615>>.*

* cited by examiner

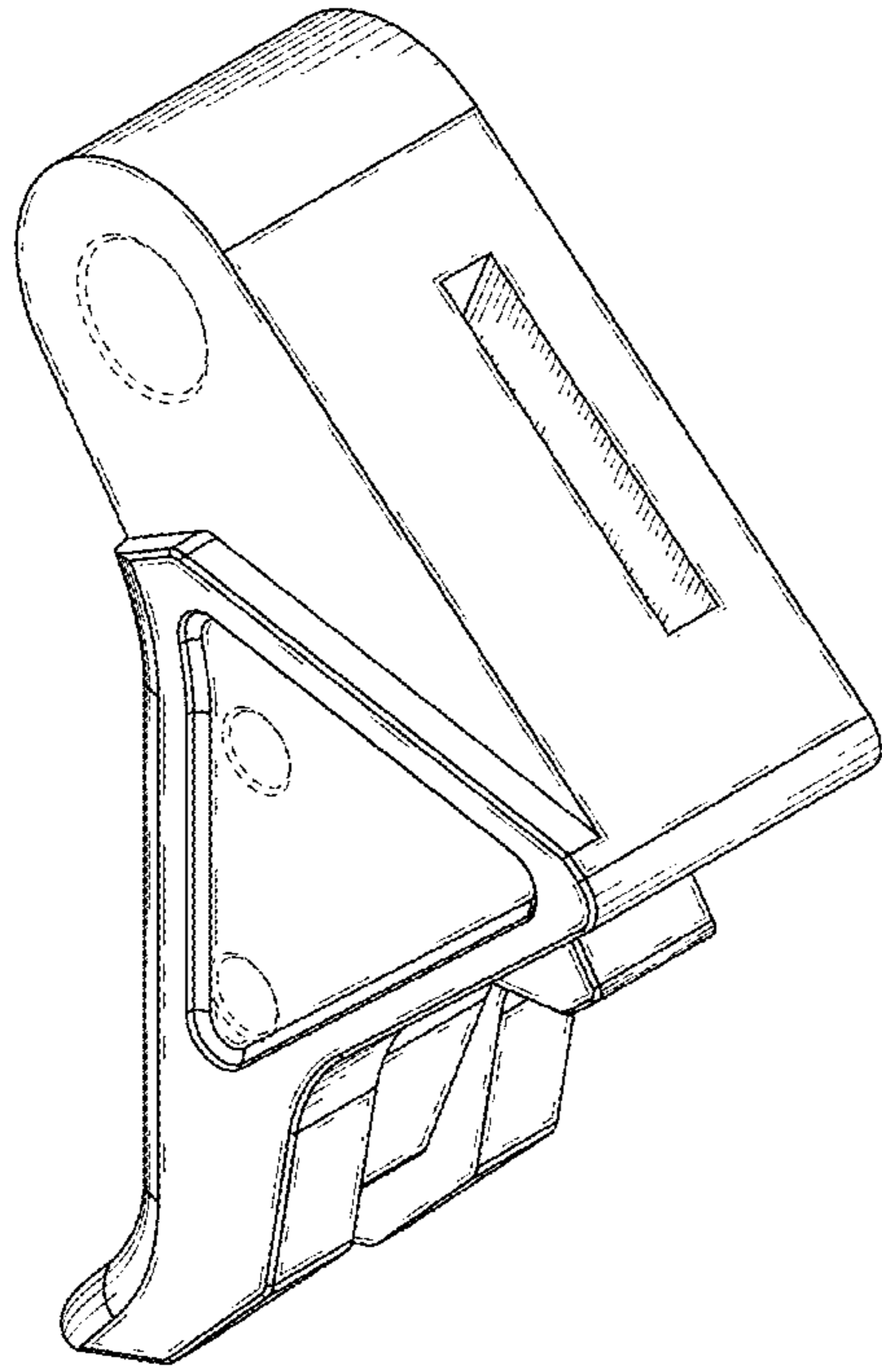


FIG. 1

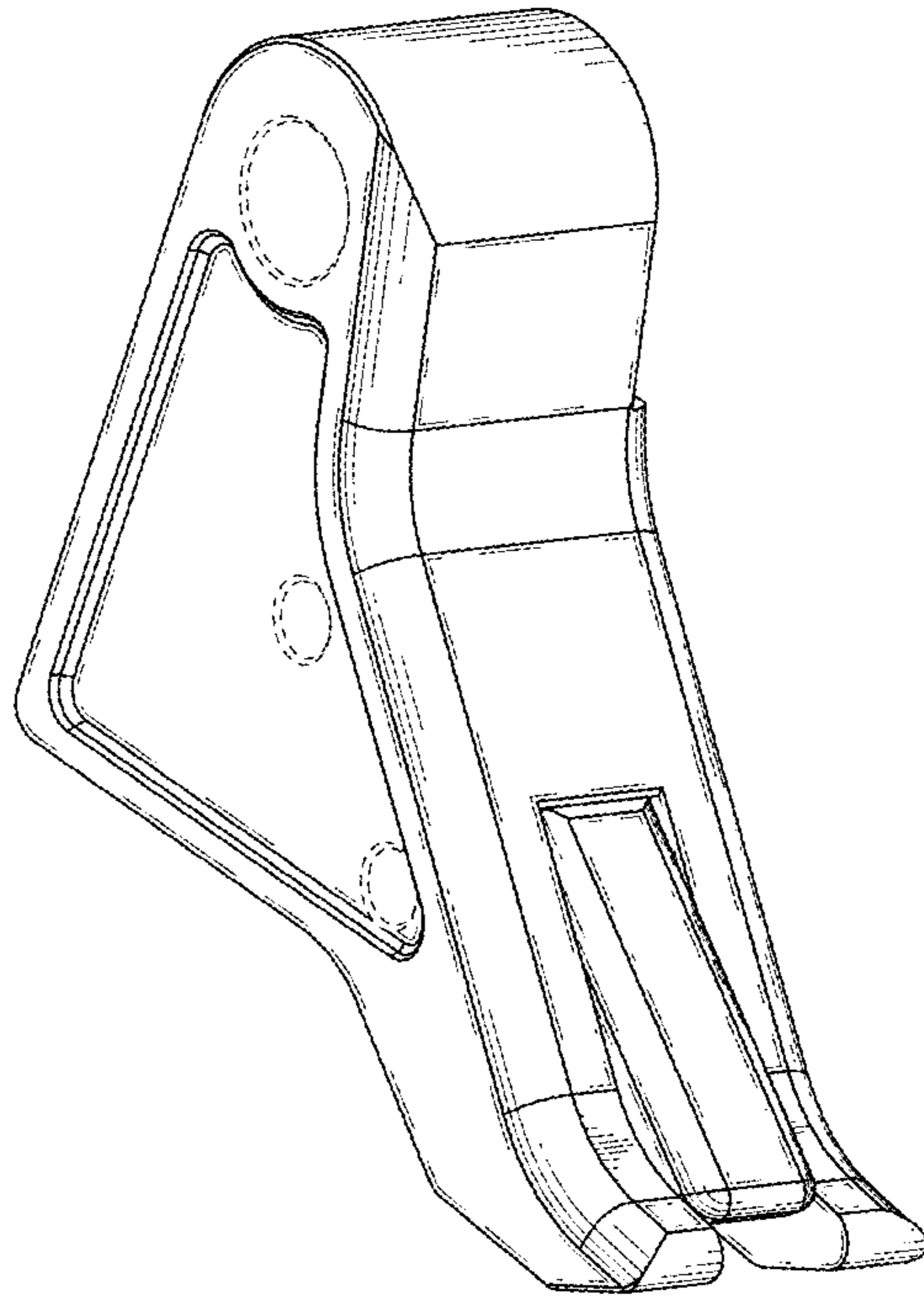


FIG. 2

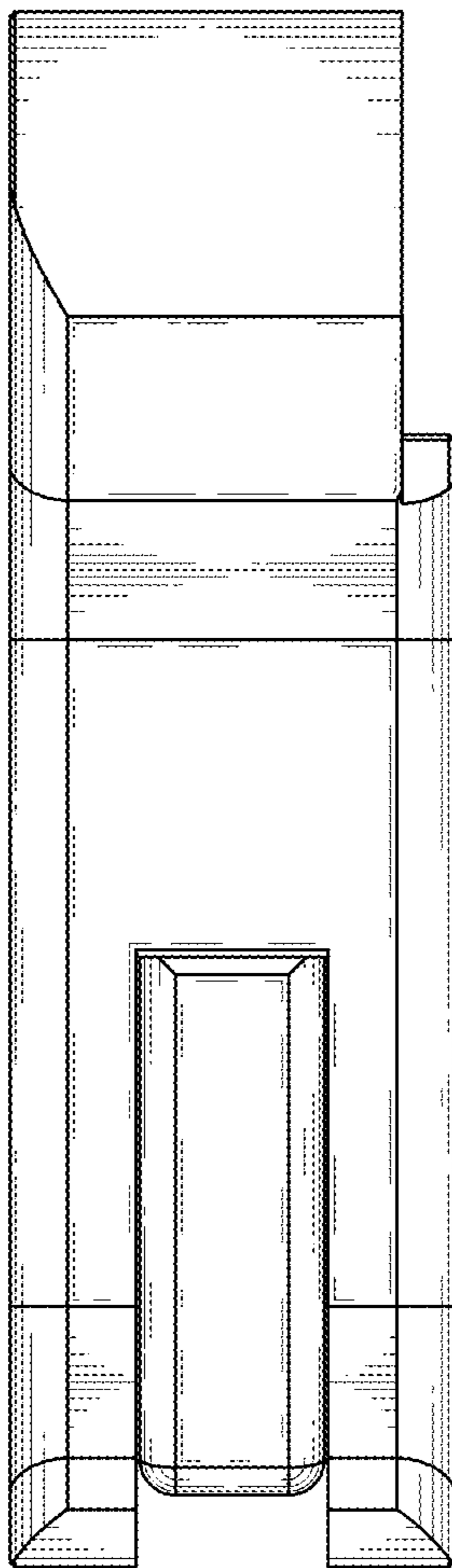


FIG. 3

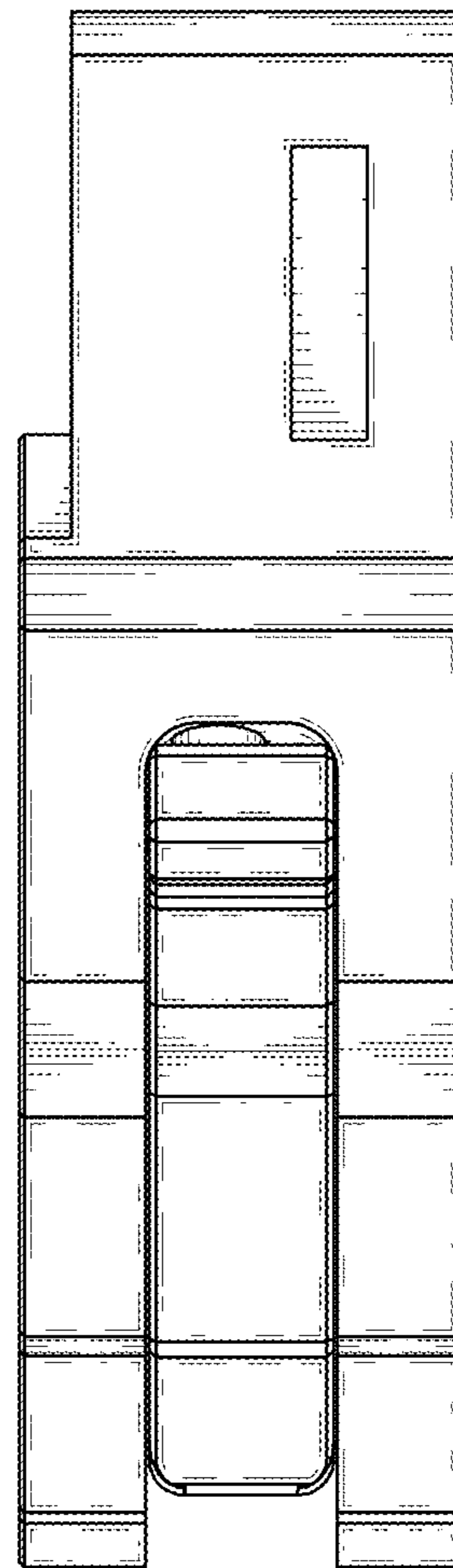


FIG. 4

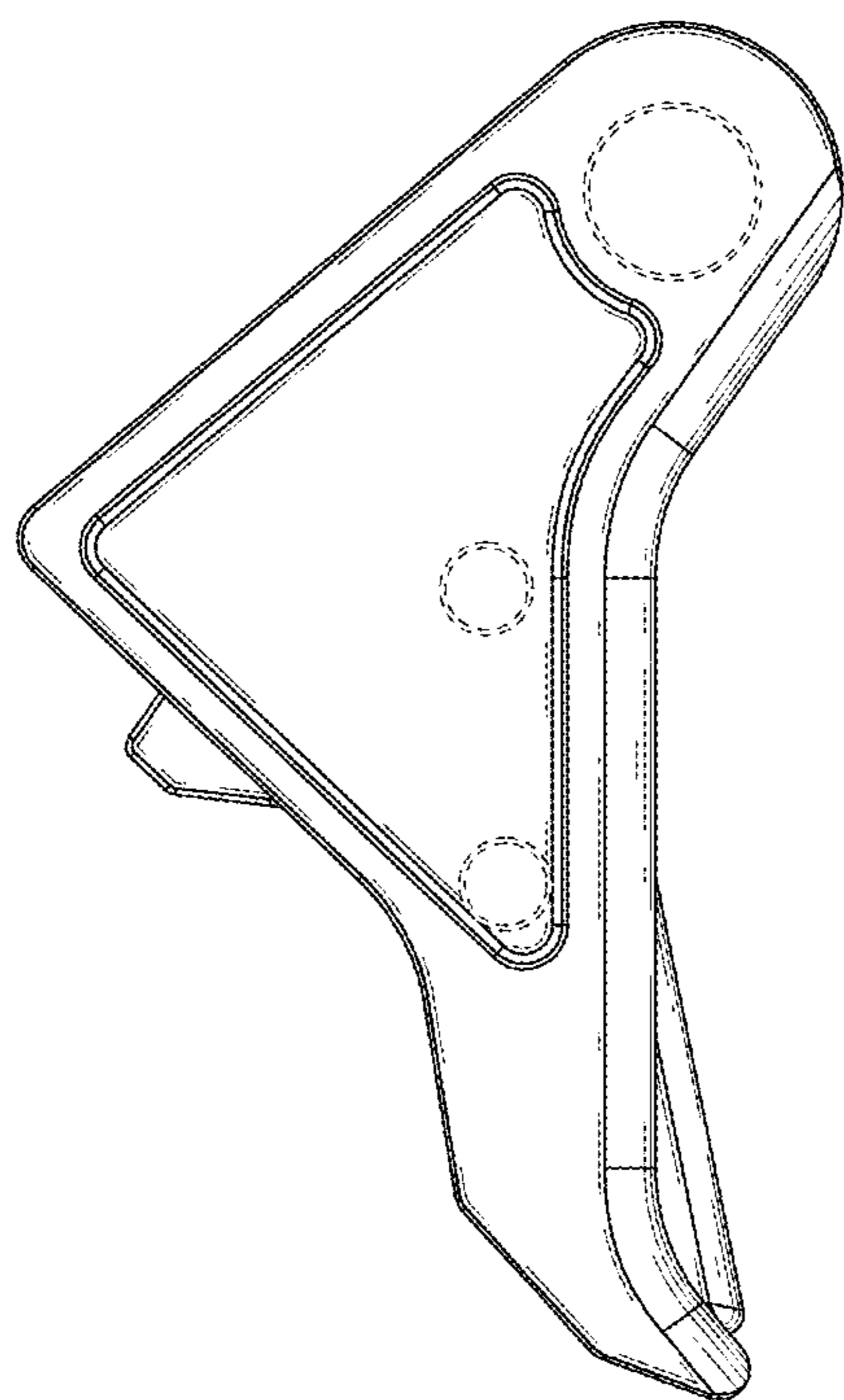


FIG. 5

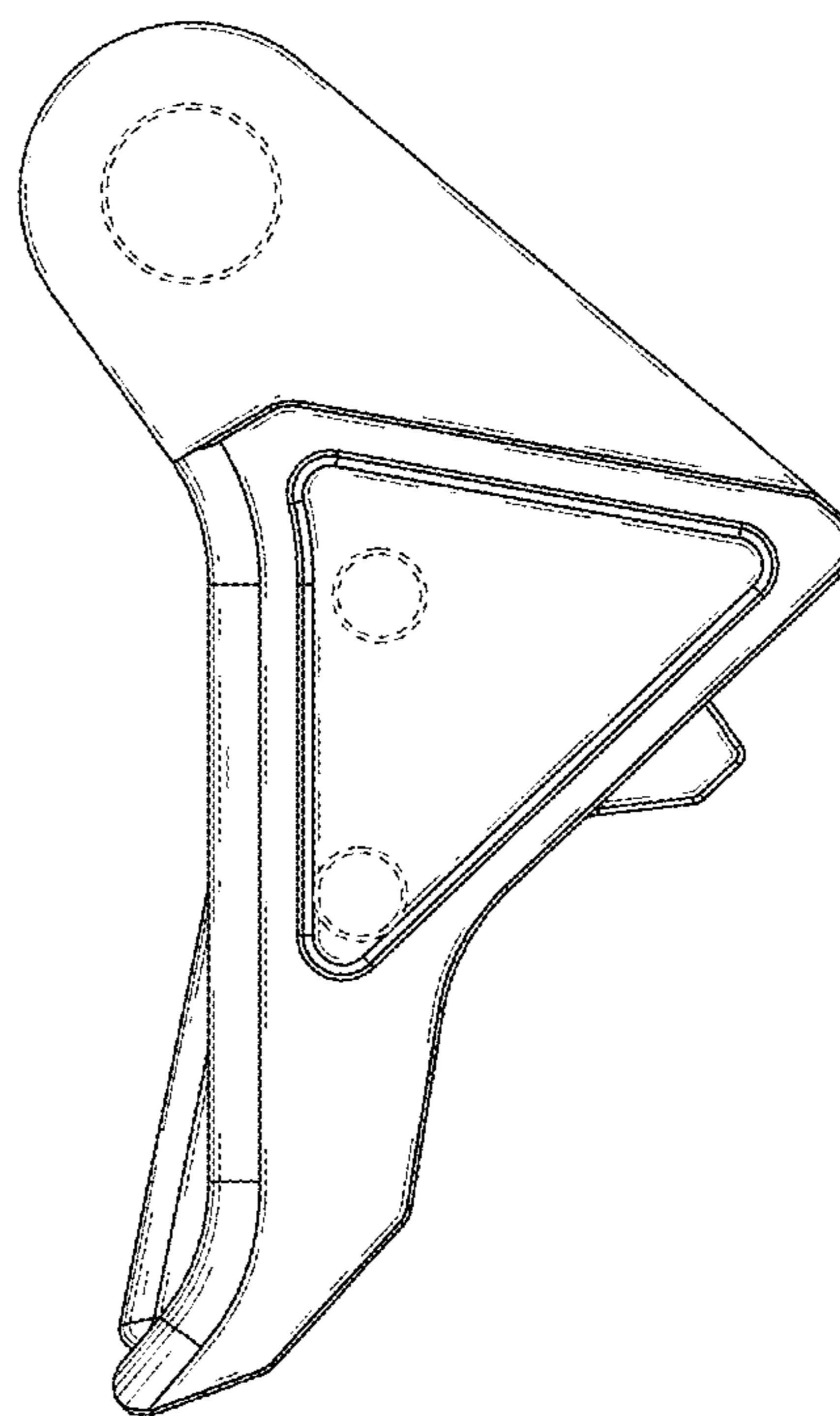


FIG. 6

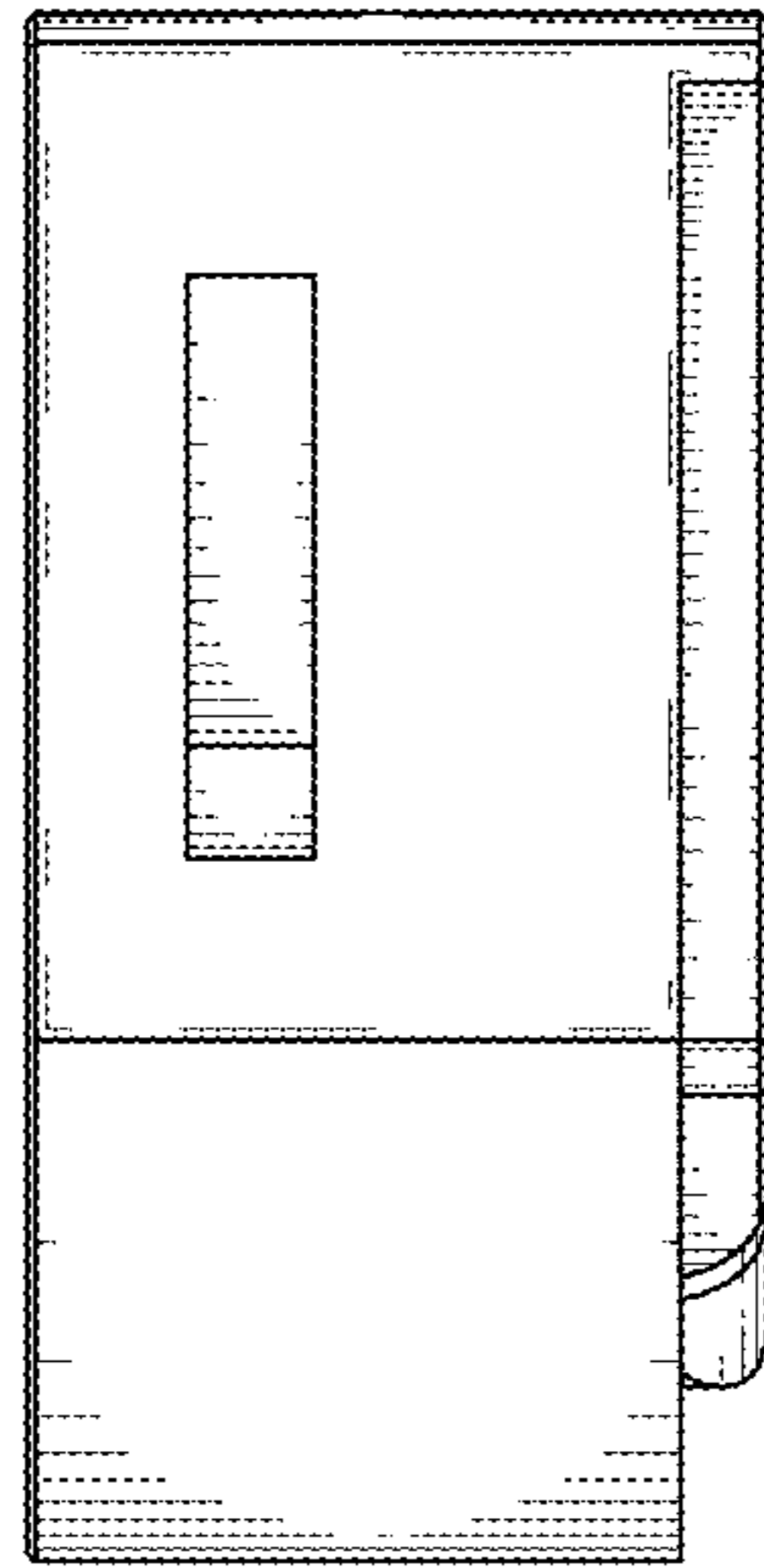


FIG. 7

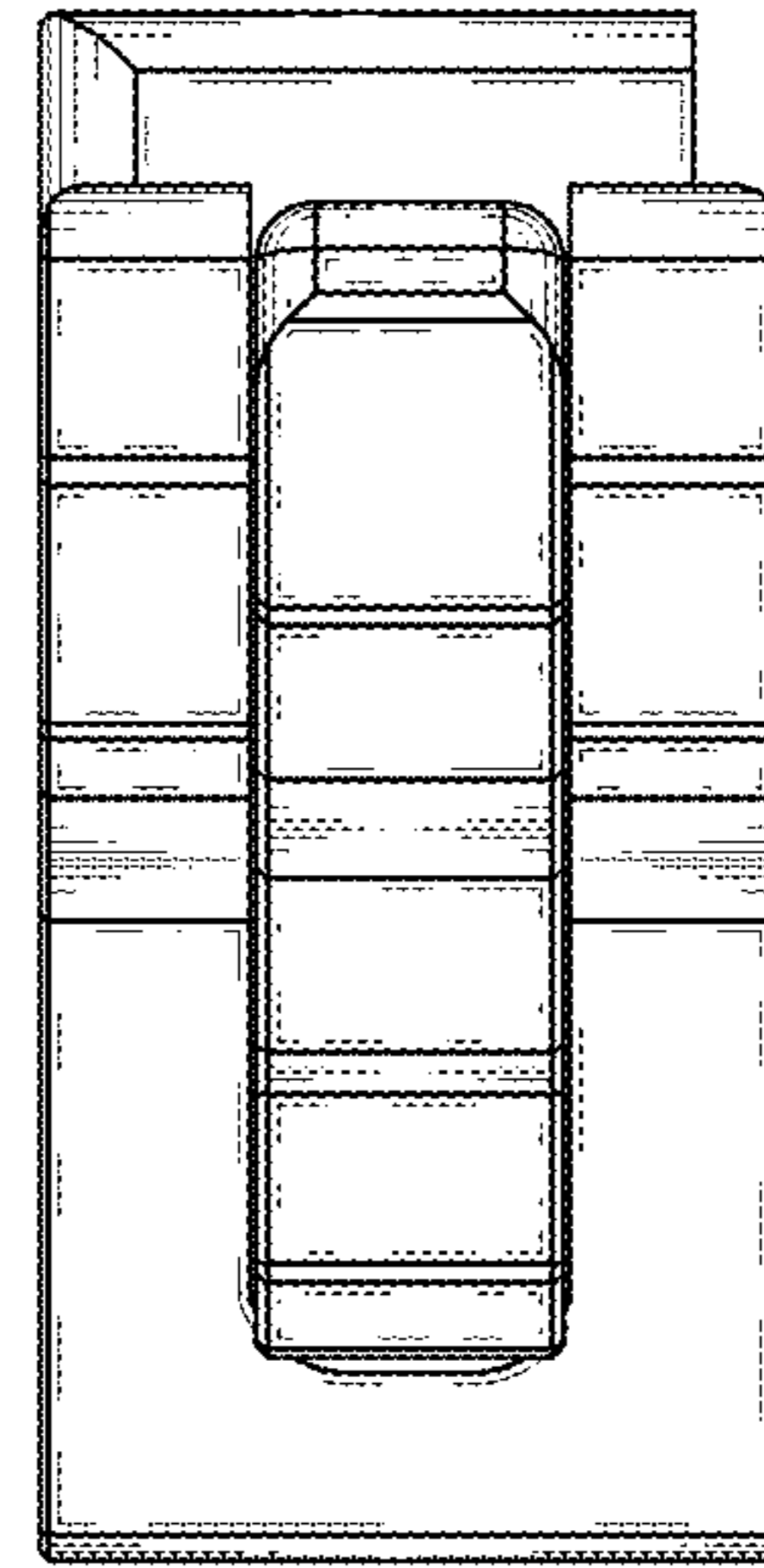


FIG. 8

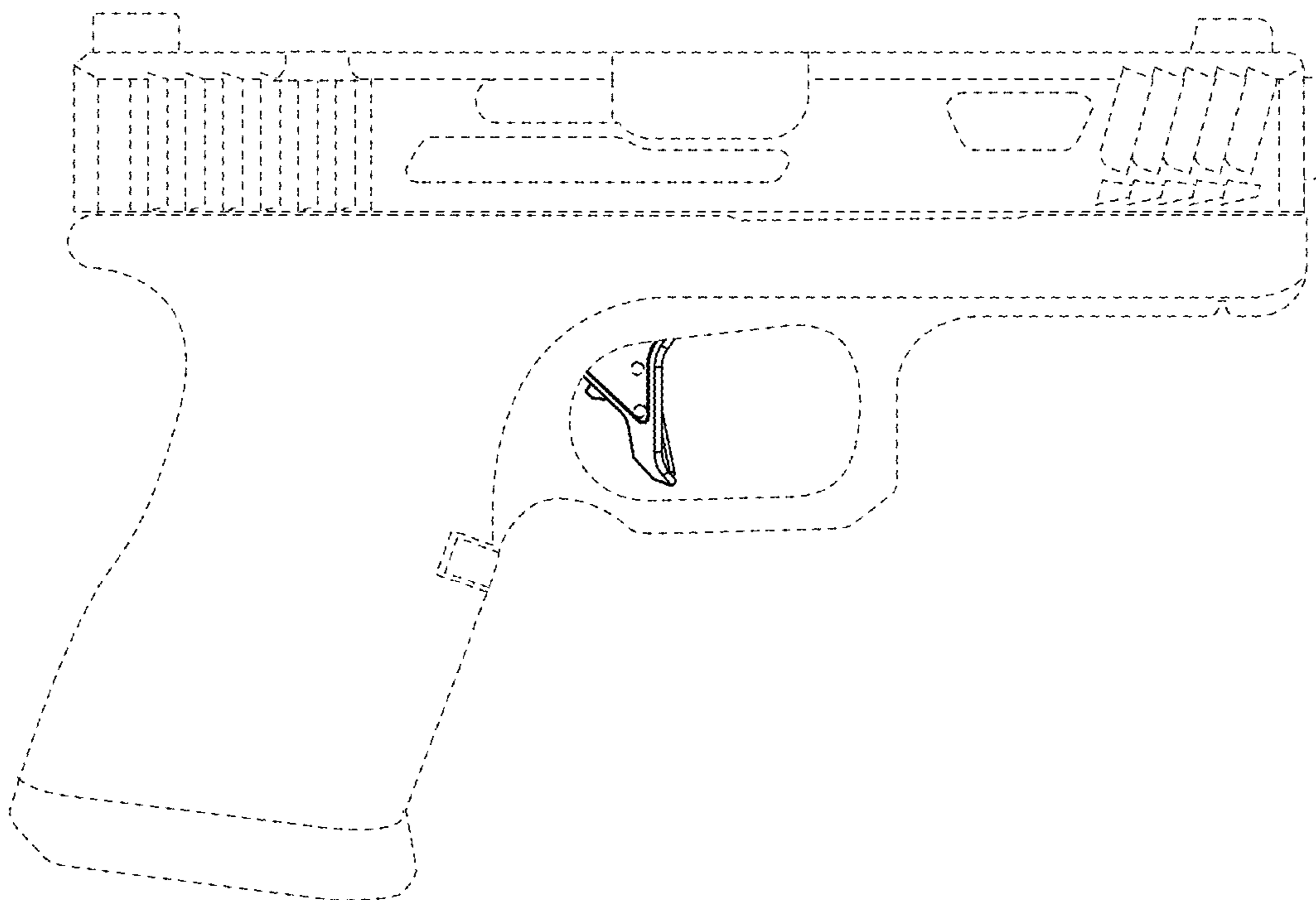


FIG. 9