



US00D771766S

(12) **United States Design Patent** (10) **Patent No.:** **US D771,766 S**
Esch (45) **Date of Patent:** **** Nov. 15, 2016**

(54) **SLING ATTACHMENT DEVICE**

(71) Applicant: **Tactical Link, Inc.**, Salina, KS (US)

(72) Inventor: **Brian S. Esch**, Salina, KS (US)

(73) Assignee: **Tactical Link, Inc.**, Salina, KS (US)

(**) Term: **15 Years**

(21) Appl. No.: **29/534,405**

(22) Filed: **Jul. 28, 2015**

(51) **LOC (10) Cl.** **22-01**

(52) **U.S. Cl.**
USPC **D22/108**

(58) **Field of Classification Search**
USPC D3/214, 215, 221, 262, 327, 328;
D21/694; D22/108; D29/101.1, 101.2
CPC .. F41C 23/02; F41C 33/0011; F41C 33/002;
F41C 33/006; F41C 33/007; A45F 2003/142;
A45F 3/12

See application file for complete search history.

(56) **References Cited**

U.S. PATENT DOCUMENTS

D288,345 S	*	2/1987	McMurtrey	D12/125
D685,445 S	*	7/2013	Pittman	D22/108
D717,391 S	*	11/2014	Pittman	D22/108
D753,783 S	*	4/2016	Pittman	D22/108

OTHER PUBLICATIONS

Tactical Link, Tactical Link Quick Disconnect 2-To-1-Point Sling Convertible Triglide—1.25, publication date unknown, [site visited Sep. 9, 2016], Available on the Internet URL:<http://www.tacticalink.com/2_to_1_Point_Convertible_Triglide.html>.*

* cited by examiner

Primary Examiner — Susan Bennett Hattan

Assistant Examiner — S. Bryan Reinholdt, Jr.

(74) *Attorney, Agent, or Firm* — Seed IP Law Group LLP

(57) **CLAIM**

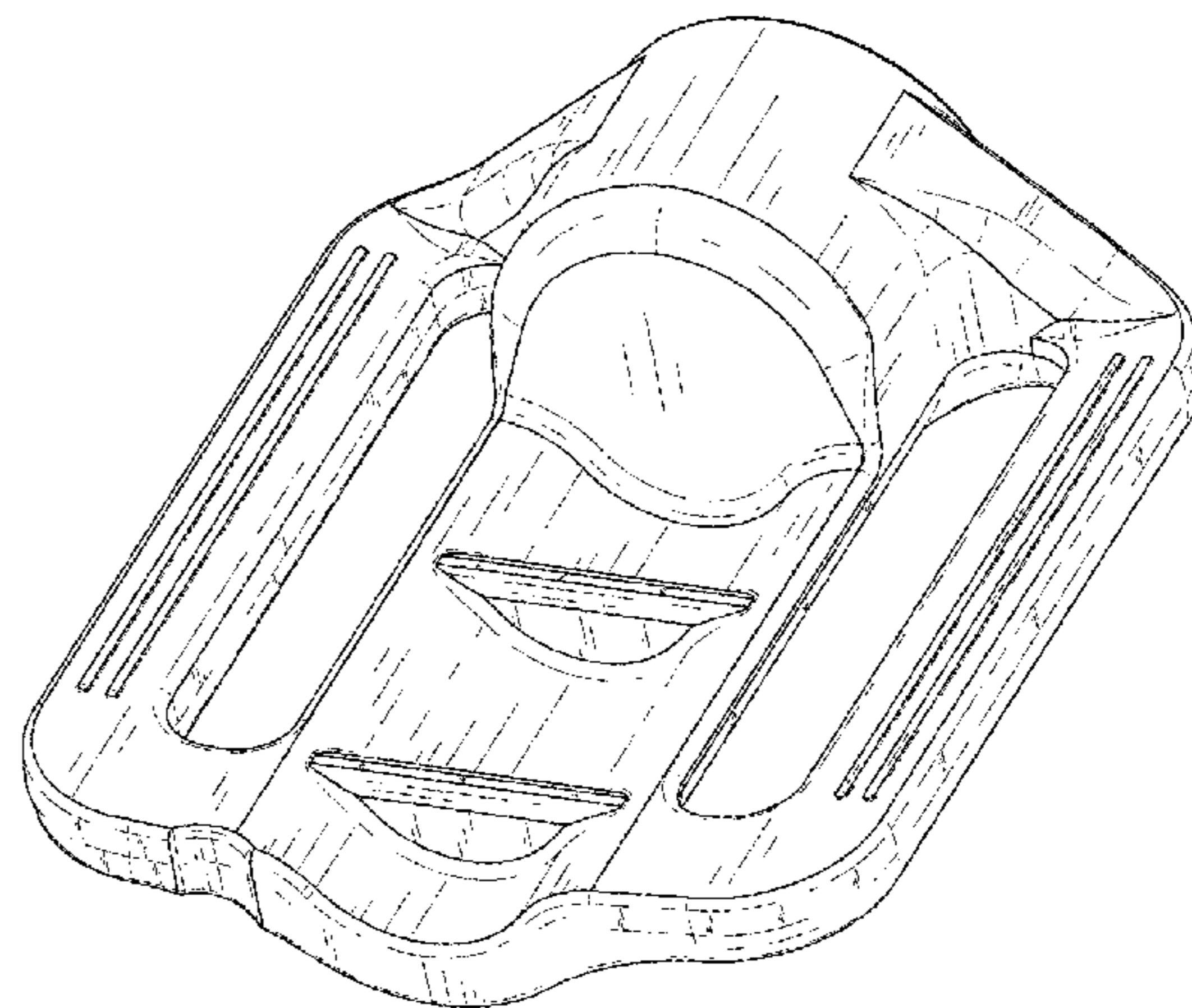
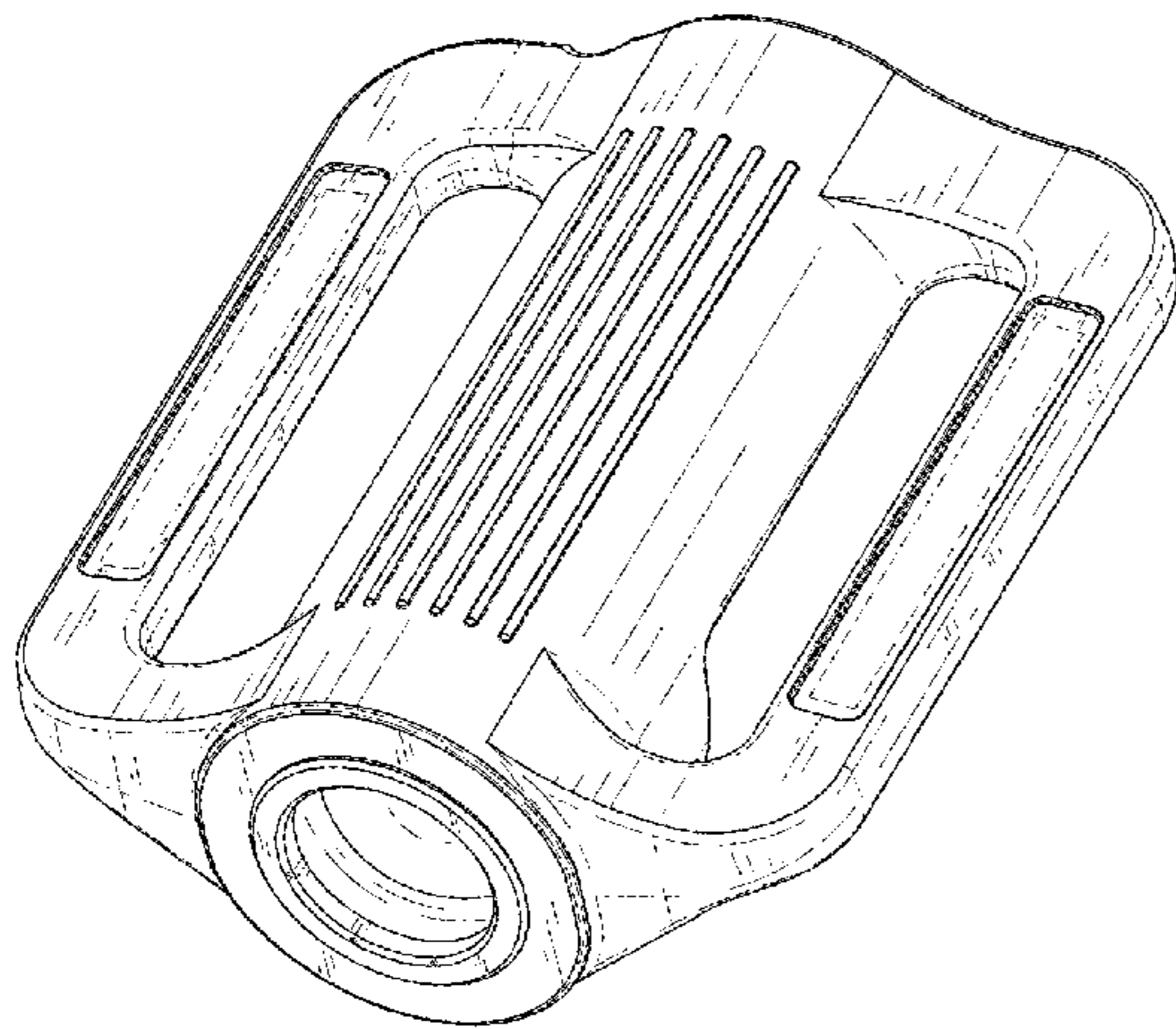
The ornamental design for a sling attachment device, as shown and described.

DESCRIPTION

FIG. 1 is a top left-front side isometric view of a sling attachment device showing my new design; FIG. 2 is a bottom right-rear side isometric view thereof; FIG. 3 is a left side elevation thereof; FIG. 4 is a right side elevation thereof; FIG. 5 is a rear elevation thereof; FIG. 6 is a front elevation thereof; FIG. 7 is a top plan view thereof; and, FIG. 8 is a bottom plan view thereof.

The broken line showing portions of the sling attachment device in FIGS. 1 and 7 forms no part of the claim.

1 Claim, 5 Drawing Sheets



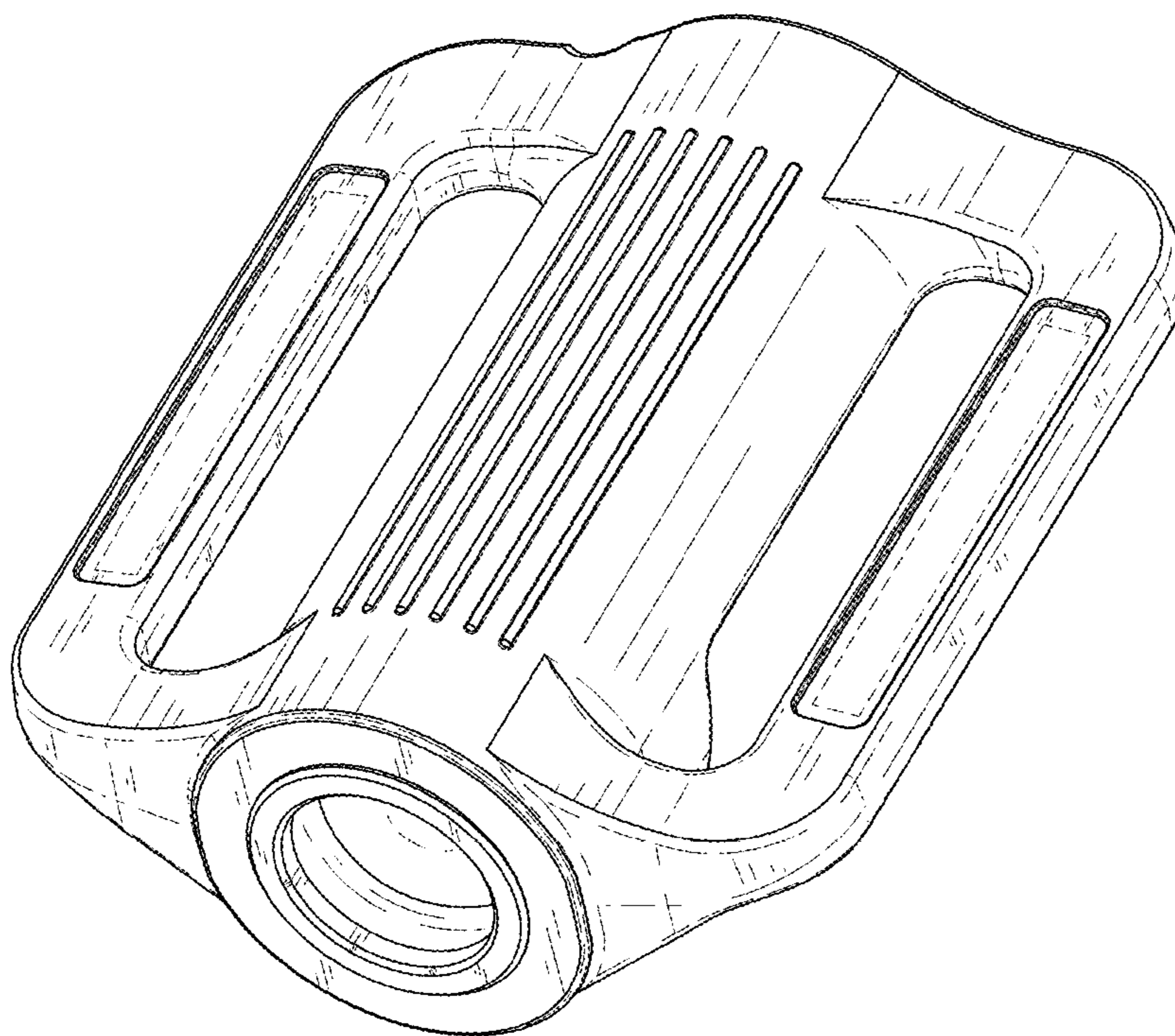


FIG. 1

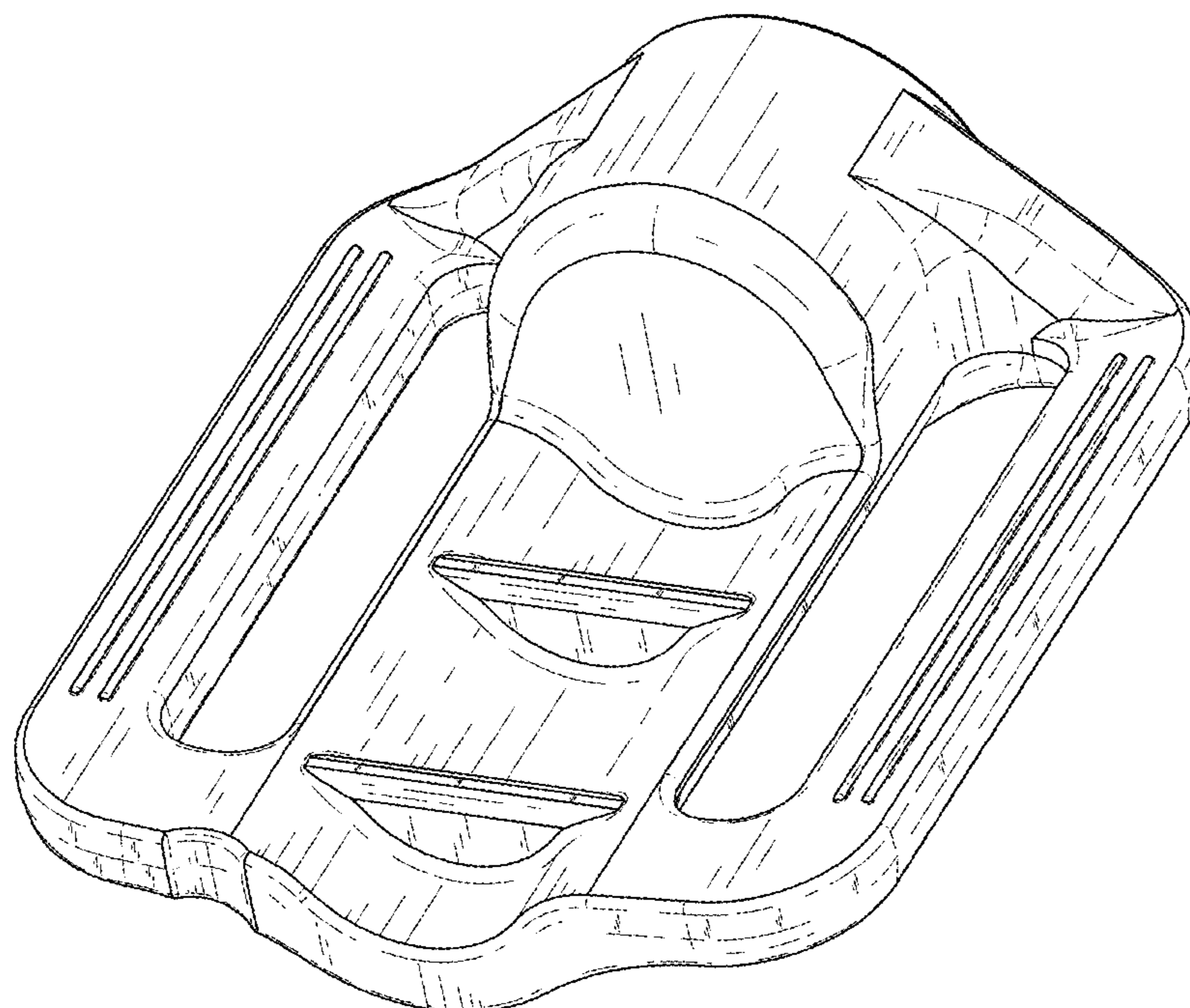


FIG. 2

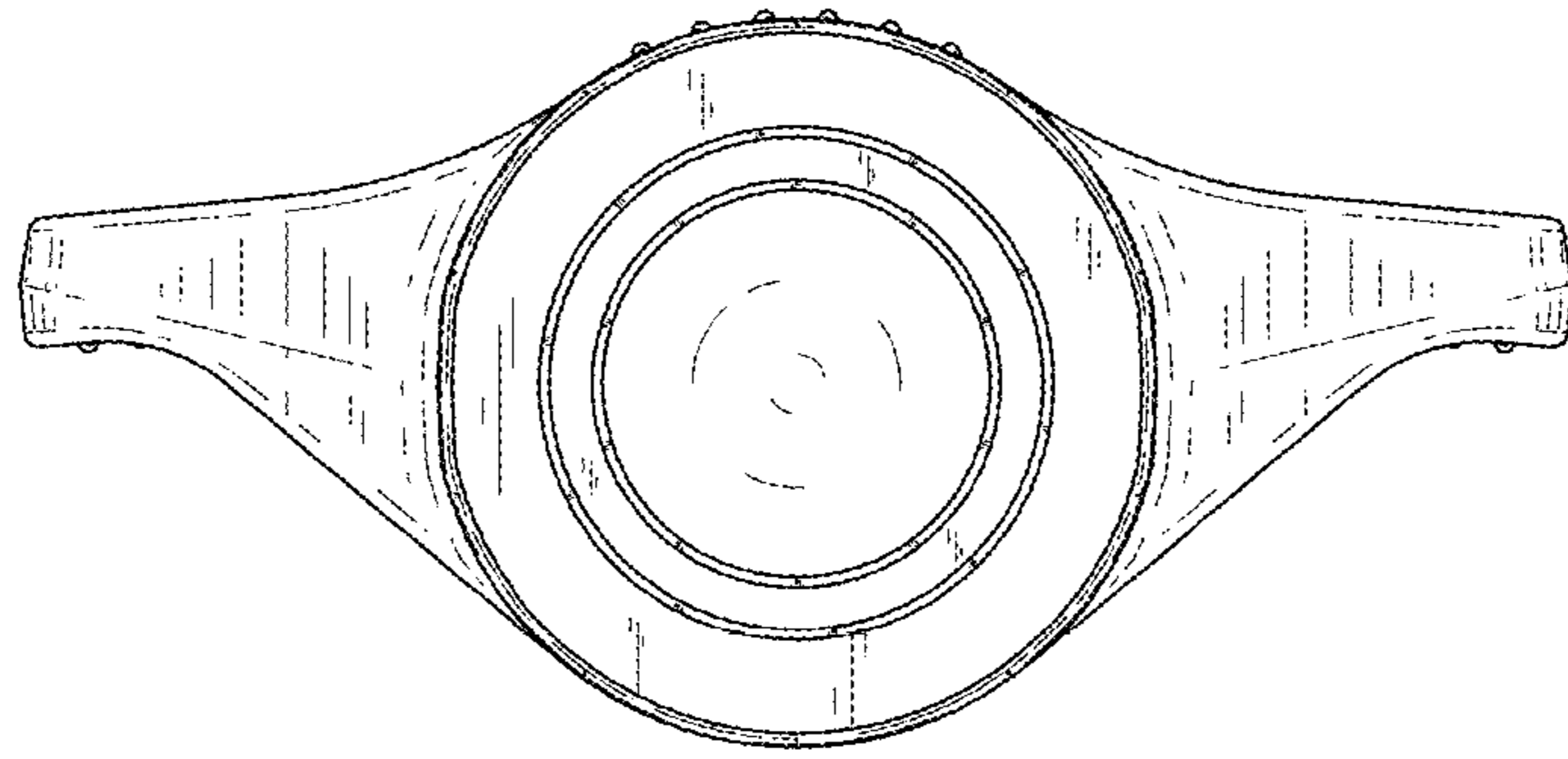


FIG. 3

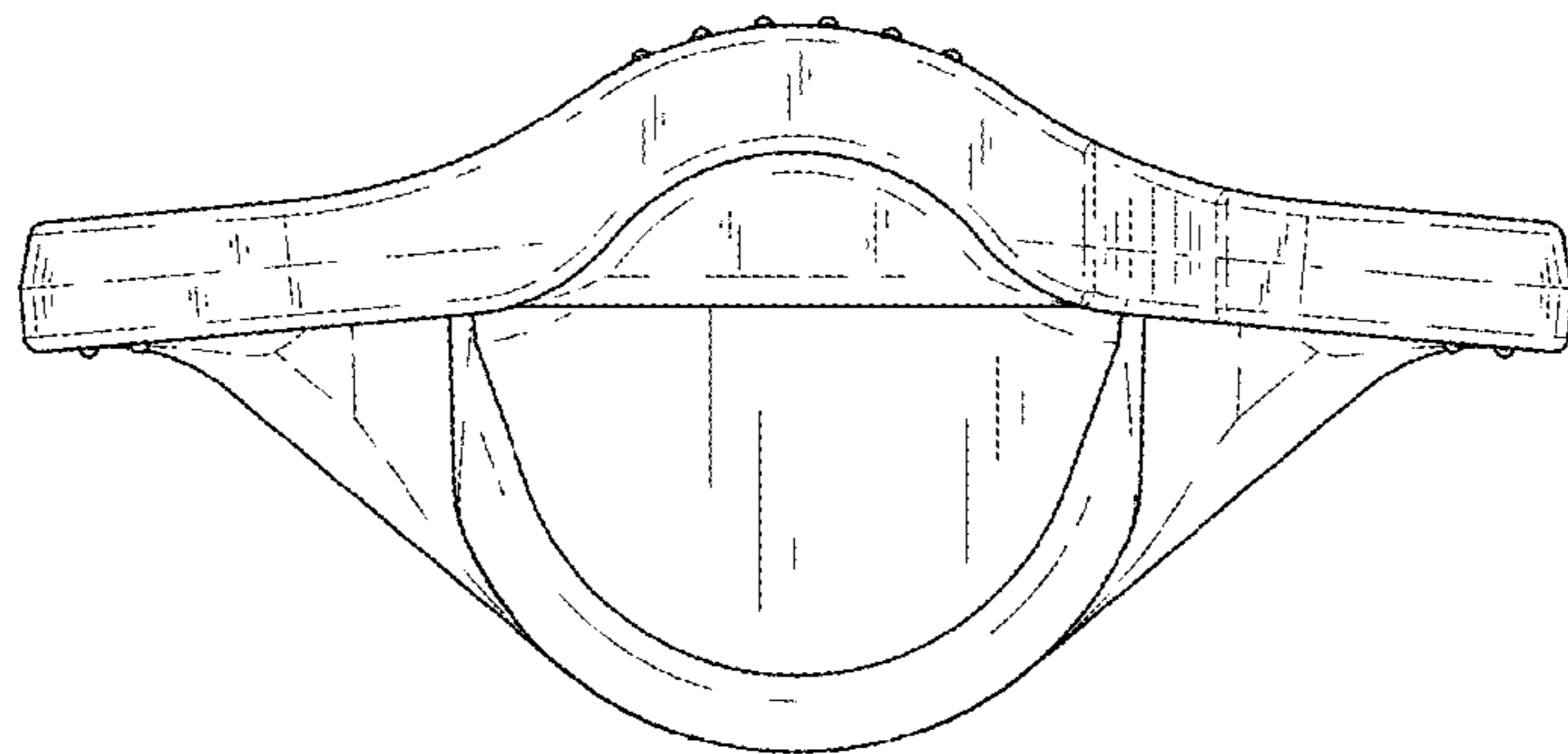


FIG. 4

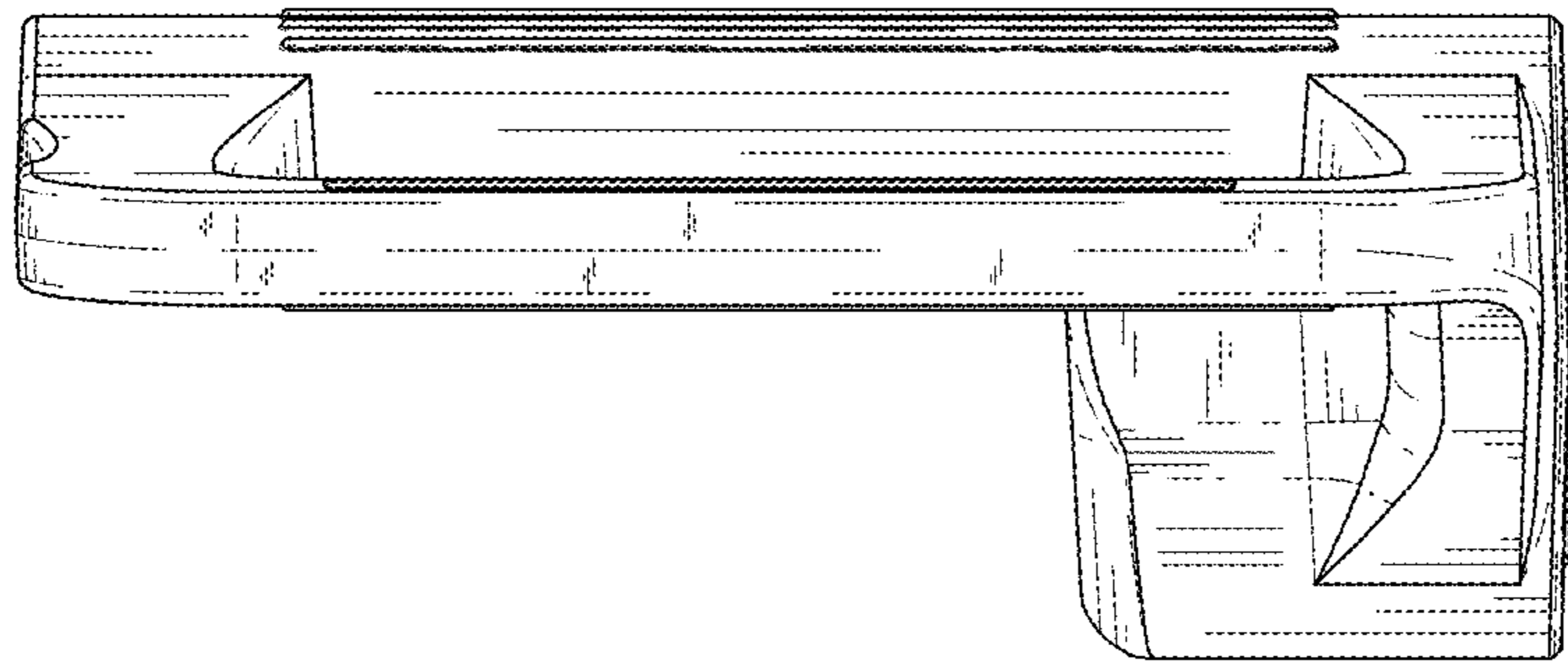


FIG. 5

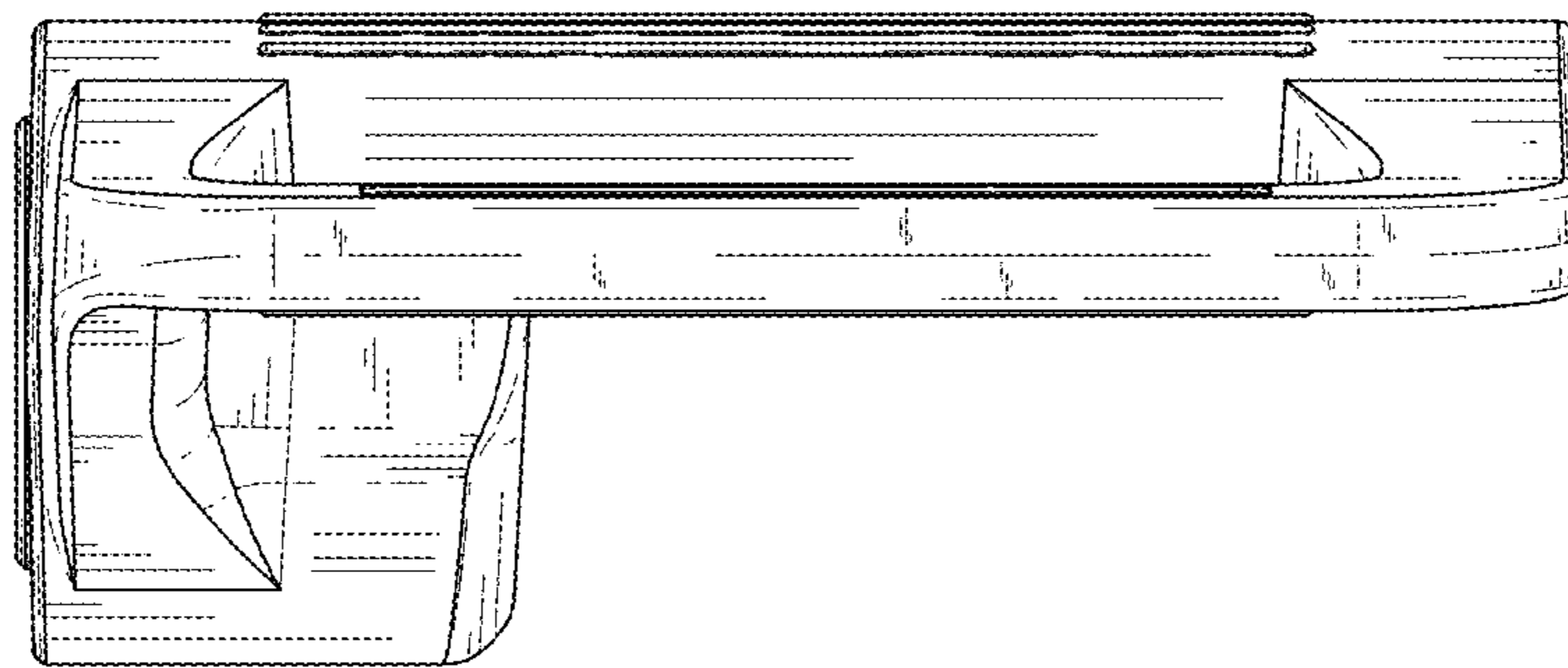


FIG. 6

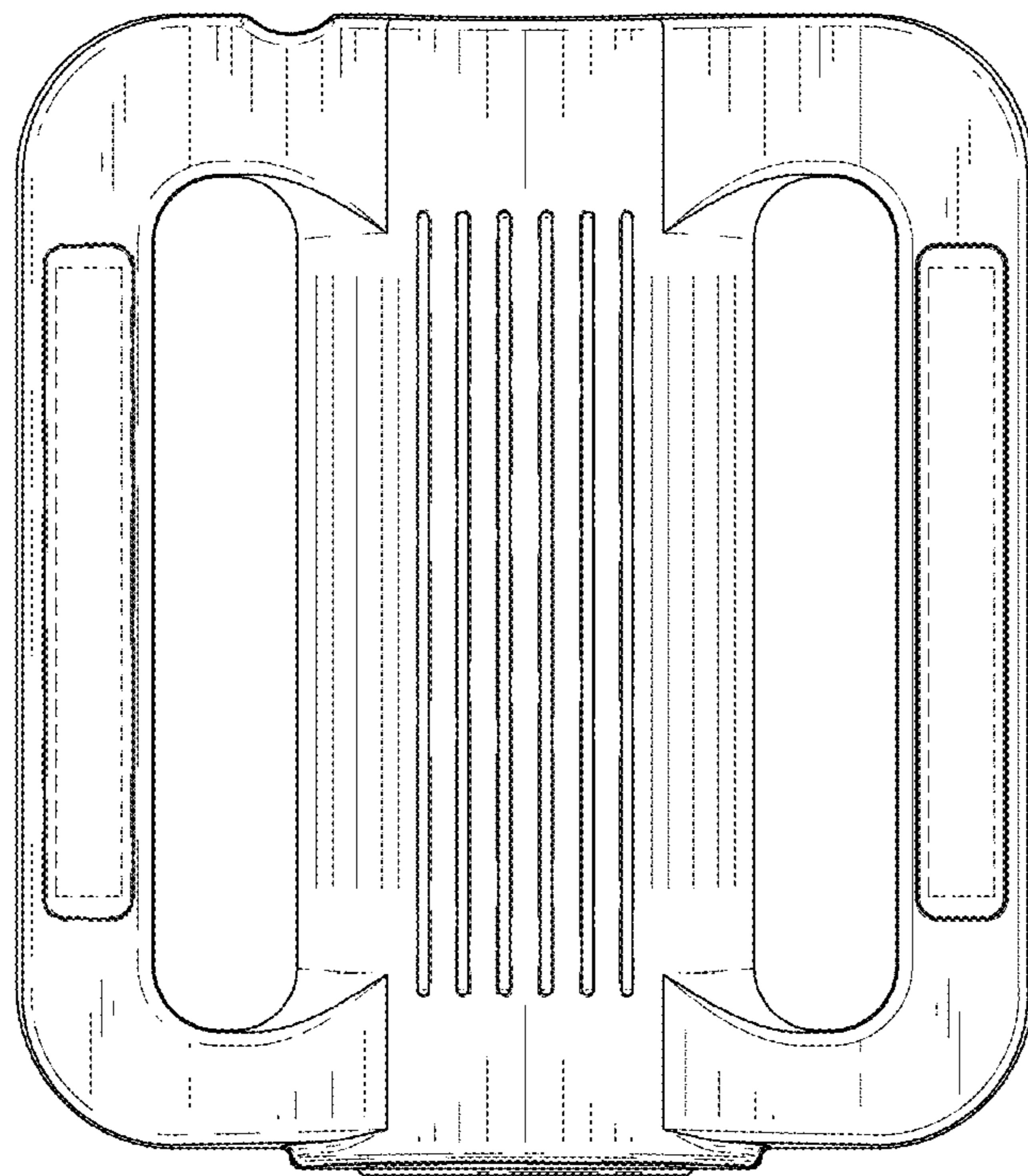


FIG. 7

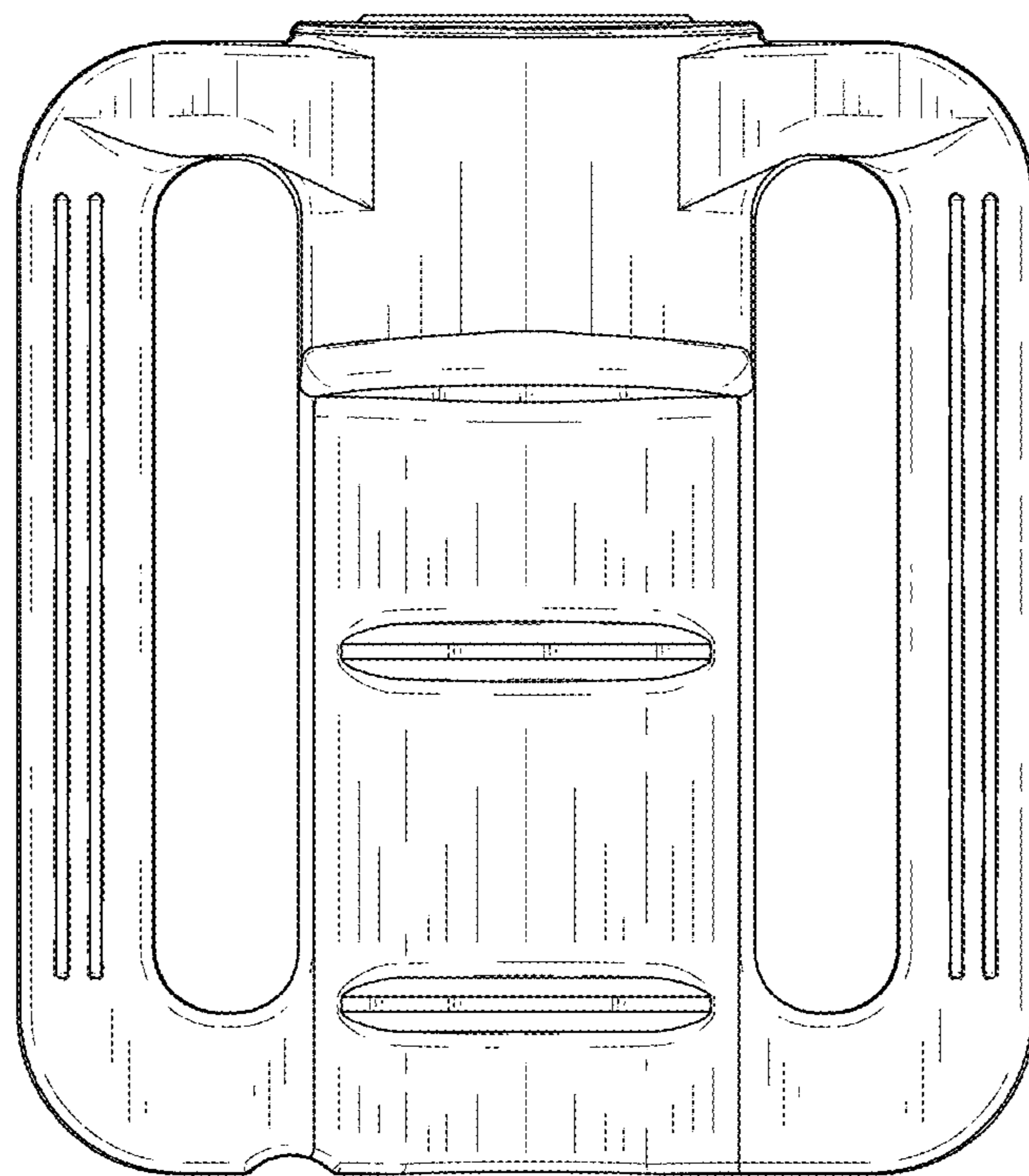


FIG. 8