



US00D771765S

(12) **United States Design Patent**
Ewer

(10) **Patent No.:** **US D771,765 S**

(45) **Date of Patent:** **** Nov. 15, 2016**

(54) **PISTOL STABILIZER**

(71) Applicant: **Martin T. Ewer**, Salt Lake City, UT
(US)

(72) Inventor: **Martin T. Ewer**, Salt Lake City, UT
(US)

(**) Term: **14 Years**

(21) Appl. No.: **29/524,564**

(22) Filed: **Apr. 21, 2015**

(51) **LOC (10) Cl.** **22-01**

(52) **U.S. Cl.**
USPC **D22/108**

(58) **Field of Classification Search**
USPC D22/103, 104, 108
CPC F41C 23/04; F41C 23/14; F41C 23/06;
F41C 23/22; F41C 33/007
See application file for complete search history.

(56) **References Cited**

U.S. PATENT DOCUMENTS

D636,833 S * 4/2011 Mayberry D22/108
D640,342 S * 6/2011 Fitzpatrick D22/108

D731,023 S * 6/2015 Hirt D22/108
D738,981 S * 9/2015 Zusman D22/108
D745,622 S * 12/2015 Zusman D22/108
D747,427 S * 1/2016 Zusman D22/108
D748,216 S * 1/2016 Zusman D22/108

* cited by examiner

Primary Examiner — Michael A Pratt

(74) *Attorney, Agent, or Firm* — Dobbin IP Law;
Geoffrey E. Dobbin

(57) **CLAIM**

The ornamental design for a pistol stabilizer, as shown and described.

DESCRIPTION

FIG. 1 is a rear perspective view of the pistol stabilizer.
FIG. 2 is a front perspective view of the pistol stabilizer.
FIG. 3 is a front elevation of the pistol stabilizer.
FIG. 4 is a rear elevation of the pistol stabilizer.
FIG. 5 is a right elevation of the pistol stabilizer.
FIG. 6 is a left elevation of the pistol stabilizer.
FIG. 7 is a top plan view of the pistol stabilizer; and,
FIG. 8 is a bottom plan view of the pistol stabilizer.

1 Claim, 8 Drawing Sheets

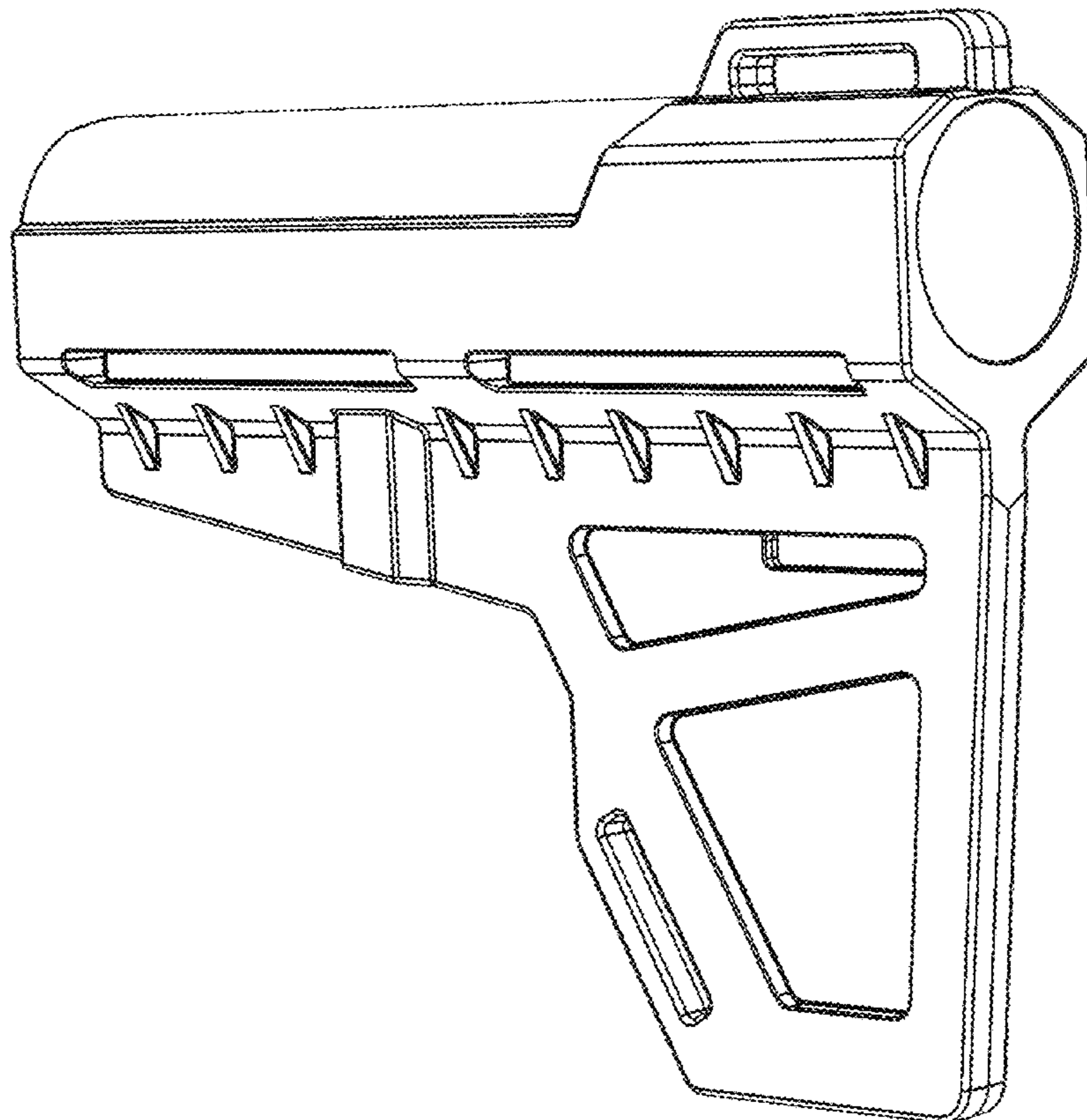


FIG. 1

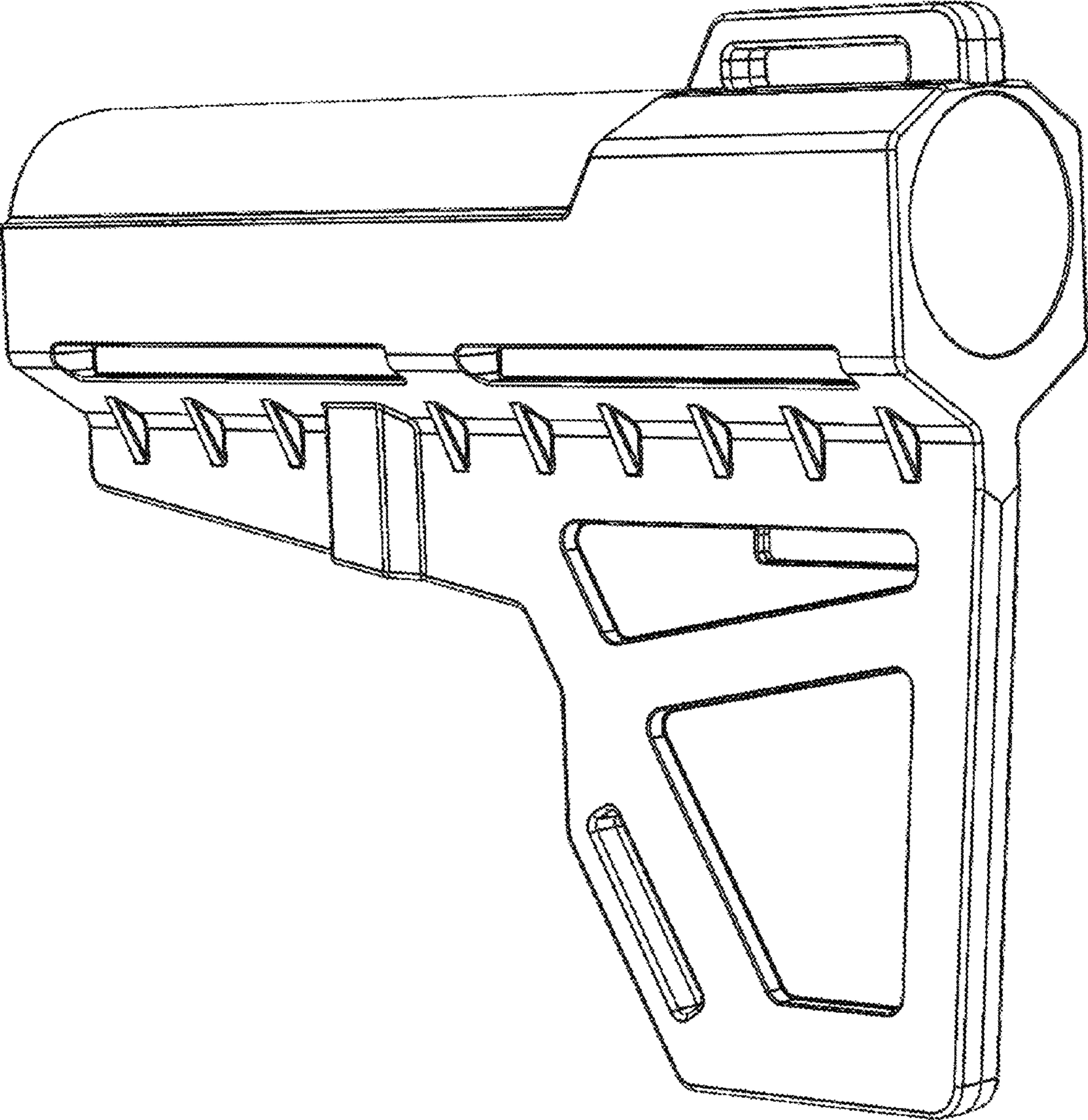


FIG. 2

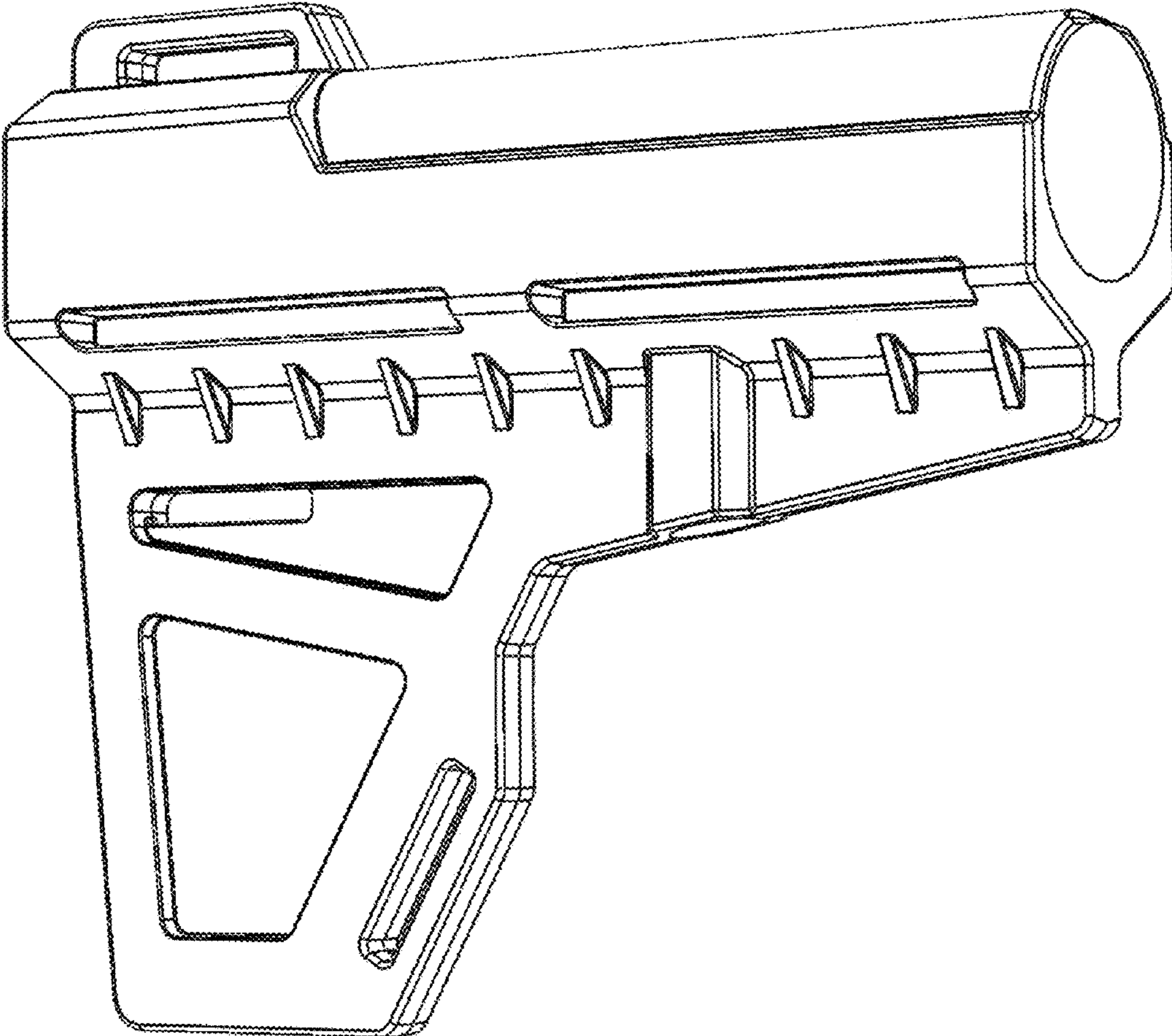


FIG. 3

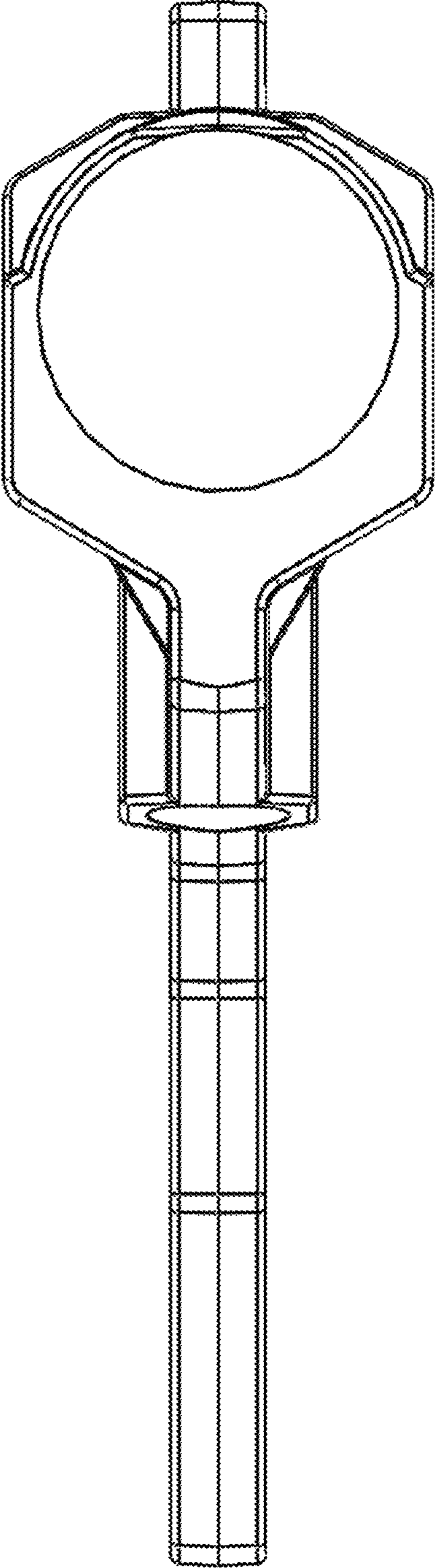


FIG. 4

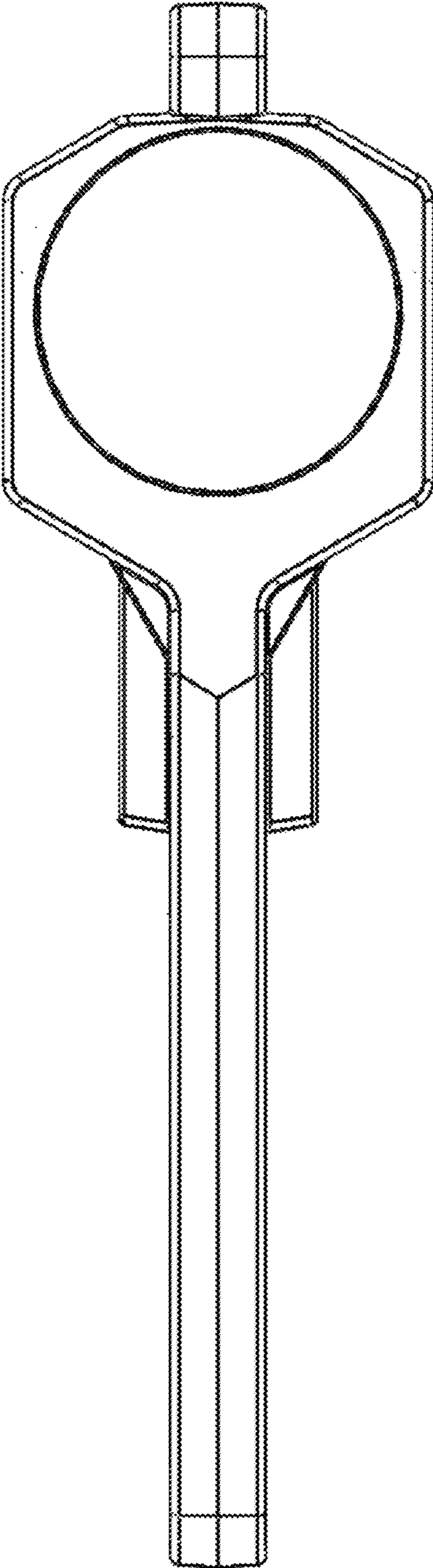


FIG. 5

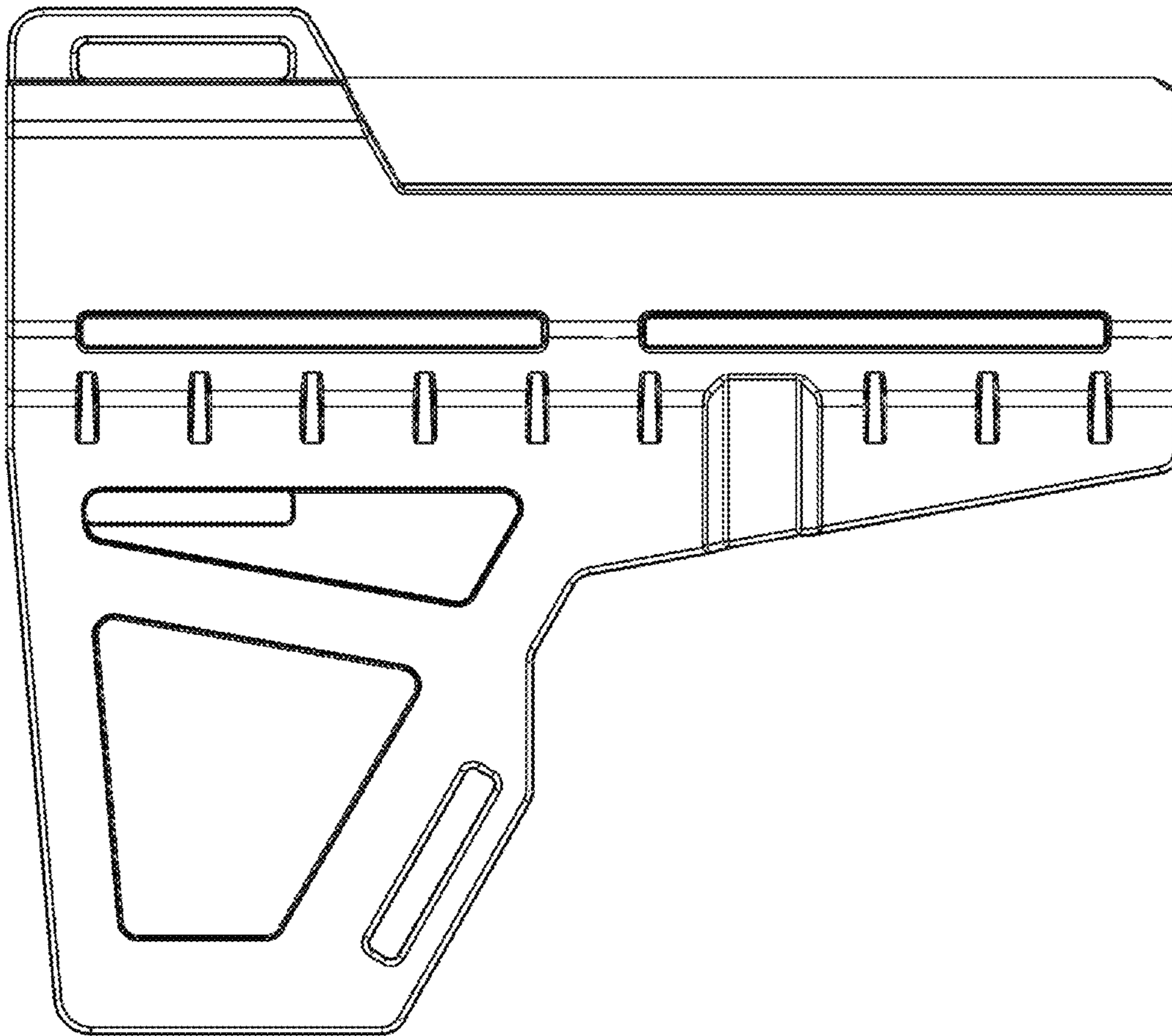


FIG. 6

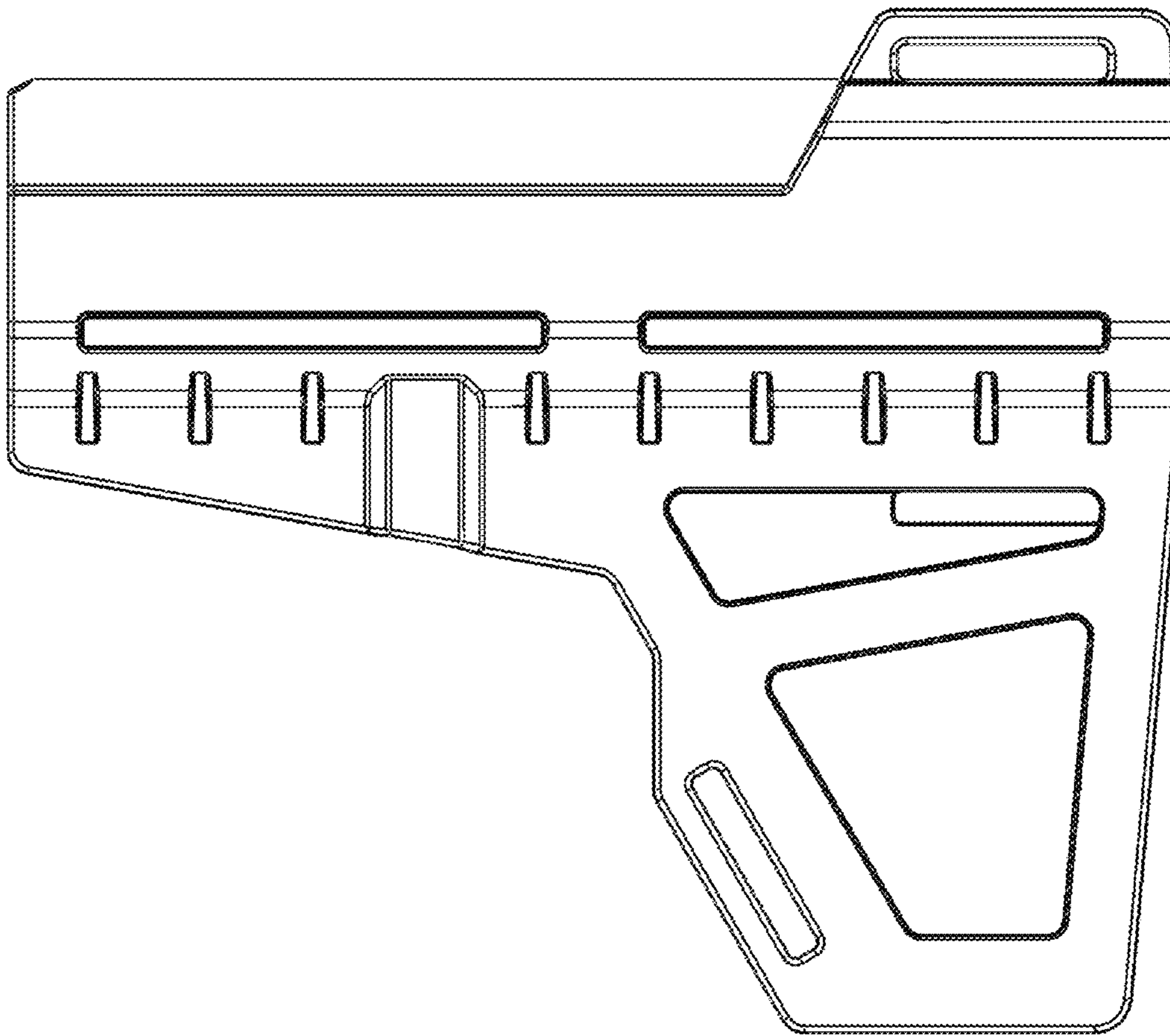


FIG. 7

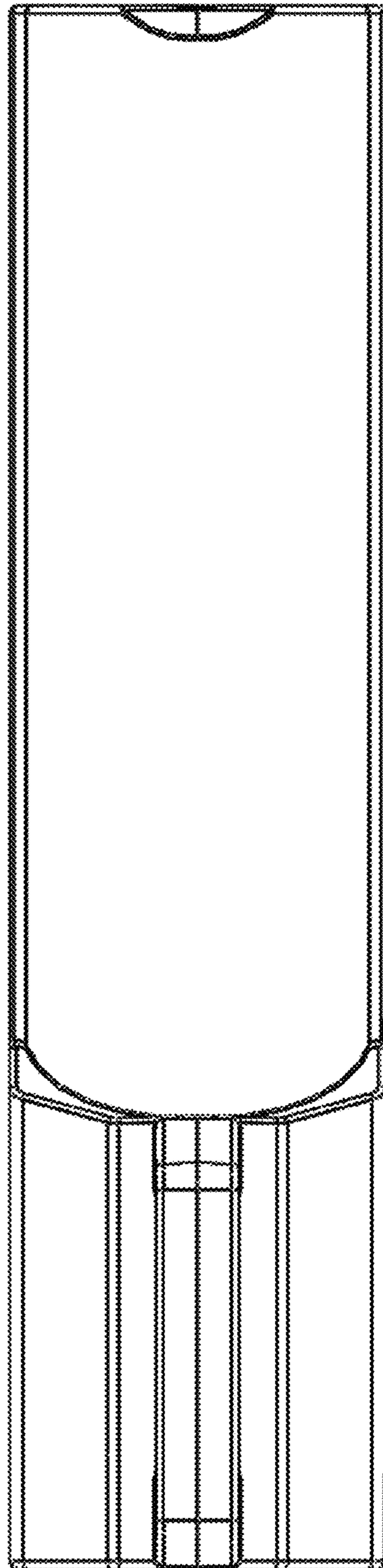


FIG. 8

