



US00D771764S

(12) **United States Design Patent**
Stenzel

(10) **Patent No.:** **US D771,764 S**

(45) **Date of Patent:** **** Nov. 15, 2016**

(54) **CLIMBING STRUCTURE**

(71) Applicant: **Alexander Stenzel**, Pacific Palisades,
CA (US)

(72) Inventor: **Alexander Stenzel**, Pacific Palisades,
CA (US)

(**) Term: **15 Years**

(21) Appl. No.: **29/528,694**

(22) Filed: **May 29, 2015**

(51) **LOC (10) Cl.** **21-03**

(52) **U.S. Cl.**
USPC **D21/826**

(58) **Field of Classification Search**
USPC D21/811, 814, 818-827
CPC A63B 9/00; A63B 2009/006
See application file for complete search history.

(56) **References Cited**

U.S. PATENT DOCUMENTS

1,765,361 A *	6/1930	Berman	A63B 9/00
				482/36
2,720,430 A *	10/1955	Meng	E04G 1/34
				482/36
D180,902 S *	9/1957	Goundle et al.	D21/826
D224,243 S *	7/1972	Hock et al.	D21/818
D259,804 S *	7/1981	Dieter	D21/826
D259,805 S *	7/1981	Persson	D21/826
D268,693 S *	4/1983	Works	D21/822
D268,858 S *	5/1983	Works	D21/822

D269,363 S *	6/1983	Dieter	D21/826
D271,037 S *	10/1983	Gordon	D21/822
D274,450 S *	6/1984	Gordon	D21/822
D277,222 S *	1/1985	Mower	D21/822
D281,992 S *	12/1985	Saxman	D21/826
D288,833 S *	3/1987	Skalka	D21/826
D302,198 S *	7/1989	Mercer	D21/826
D303,280 S *	9/1989	Mercer	D21/826
D370,045 S *	5/1996	Derbecker	D21/826
D468,387 S *	1/2003	Ezell	D21/826
D534,984 S *	1/2007	Nye	D21/818
D536,052 S *	1/2007	Han	D21/822
D690,382 S *	9/2013	Kopp	D21/822

* cited by examiner

Primary Examiner — Mitchell Siegel

(74) *Attorney, Agent, or Firm* — Blakely Sokoloff Taylor
& Zafman LLP

(57) **CLAIM**

The ornamental design for climbing structure, as shown and described.

DESCRIPTION

FIG. 1 is a left side perspective view illustrating my new design.

FIG. 2 is a right side perspective view thereof.

FIG. 3 is a front elevation view thereof.

FIG. 4 is a rear elevation view thereof.

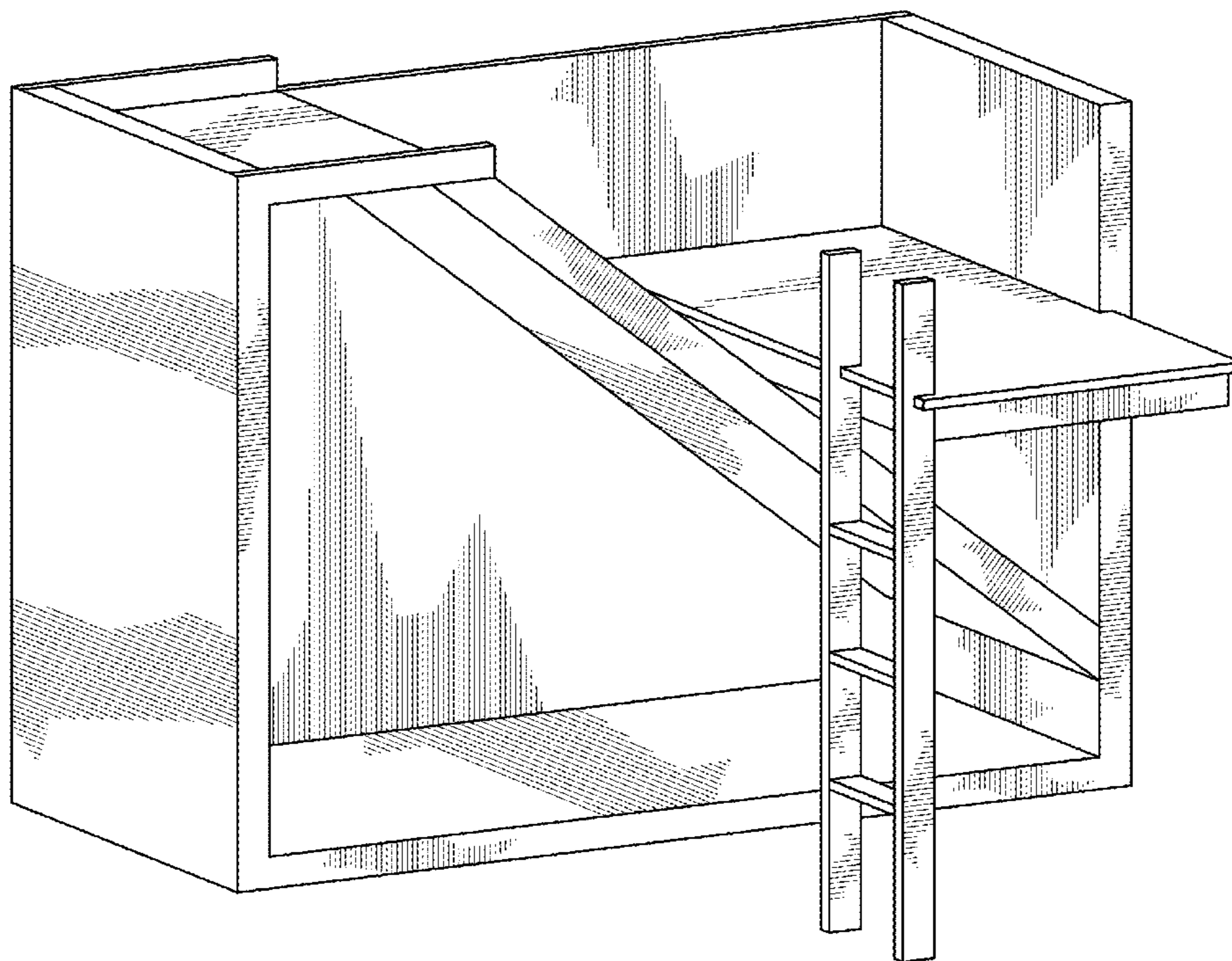
FIG. 5 is a right side elevation view thereof.

FIG. 6 is a left side elevation view thereof.

FIG. 7 is a top plan view thereof; and,

FIG. 8 is a bottom plan view thereof.

1 Claim, 6 Drawing Sheets



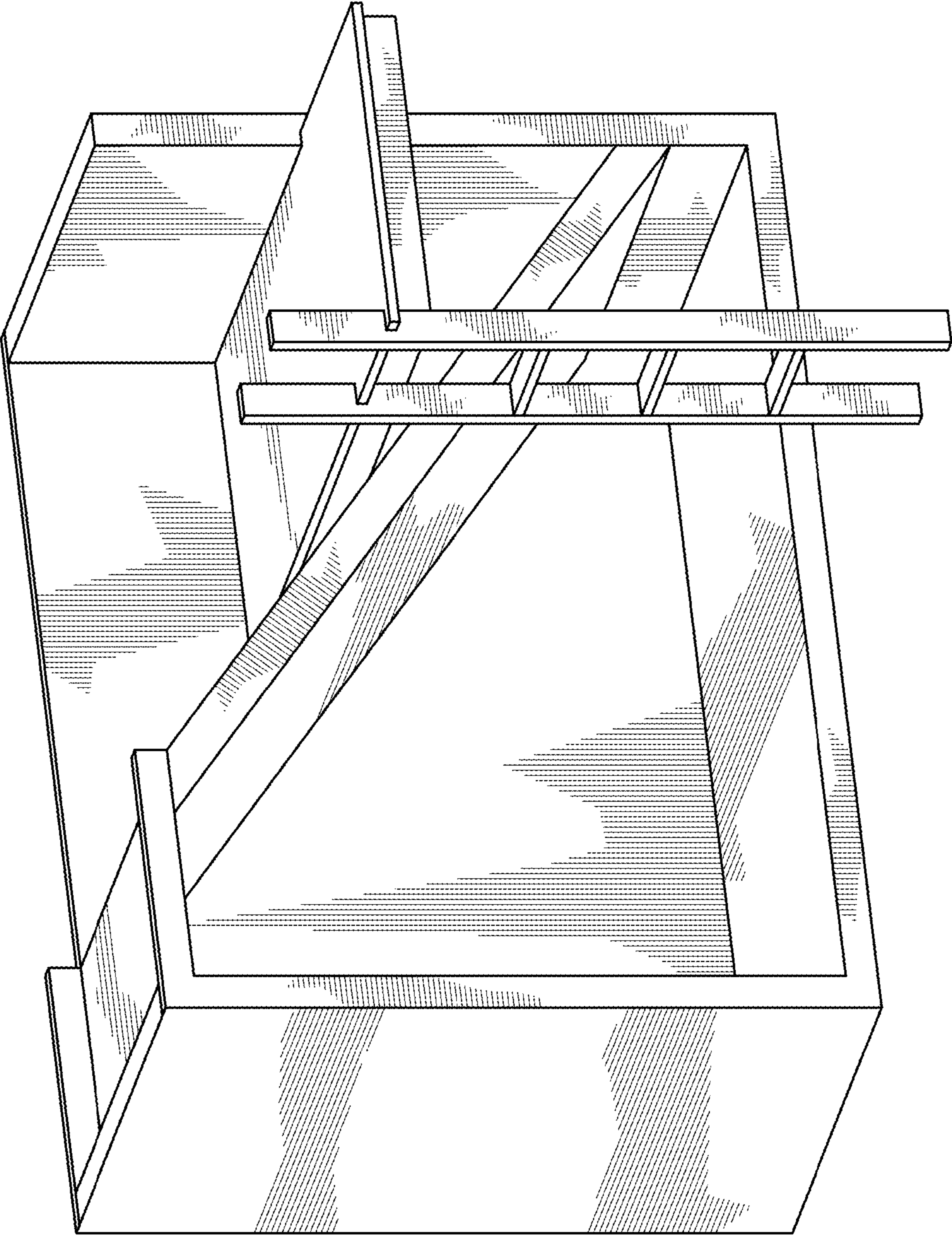


FIG. 1

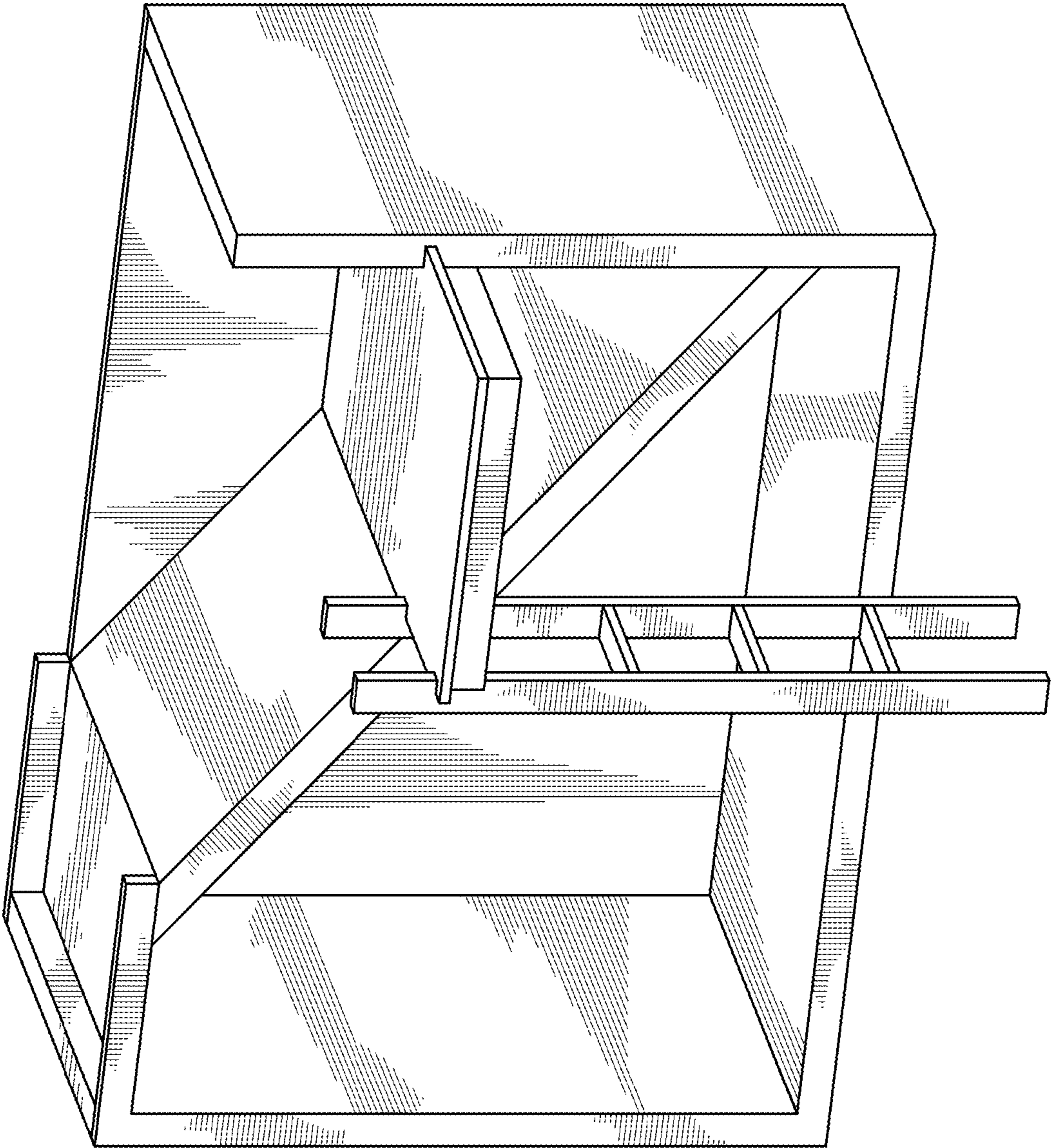


FIG. 2

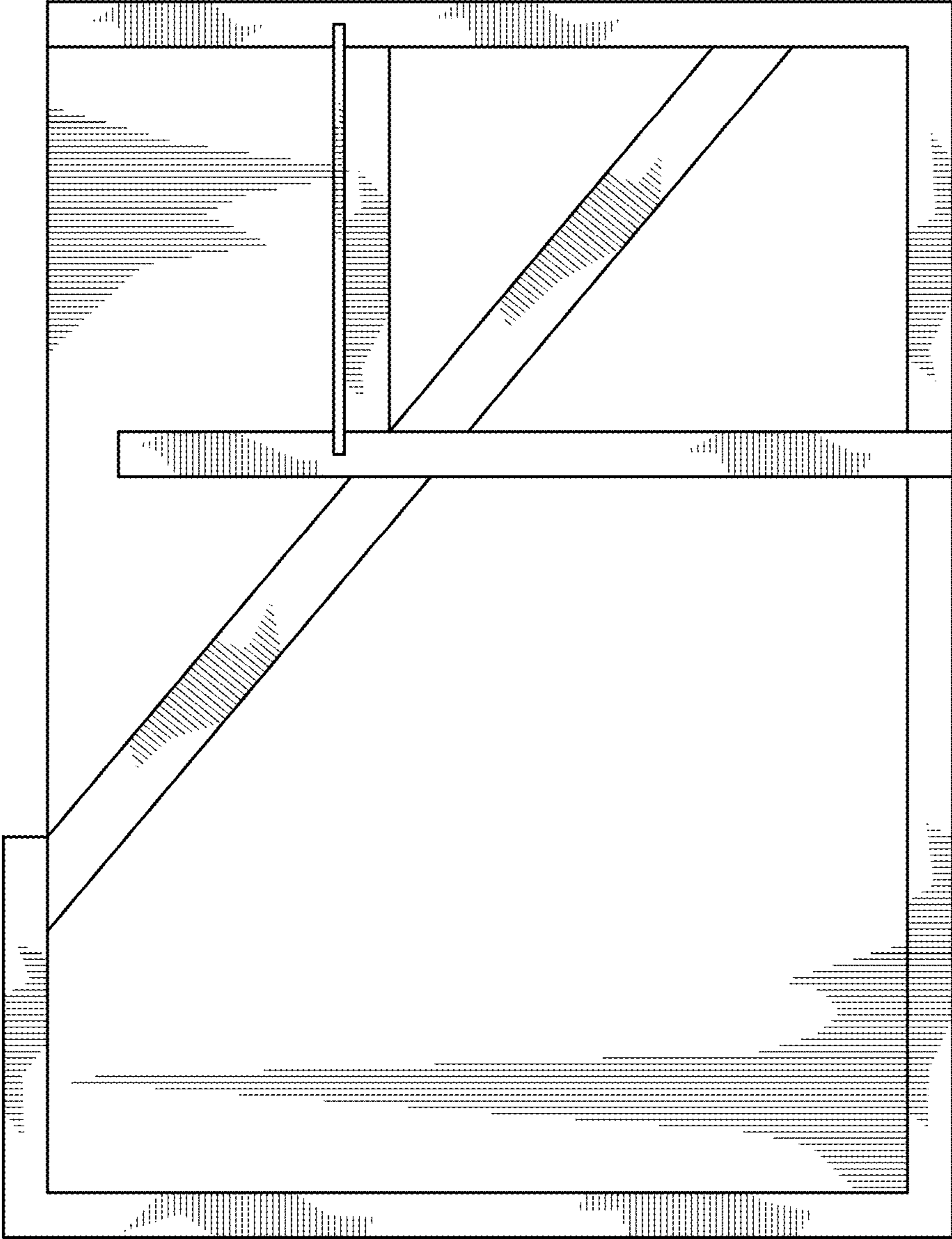


FIG. 3

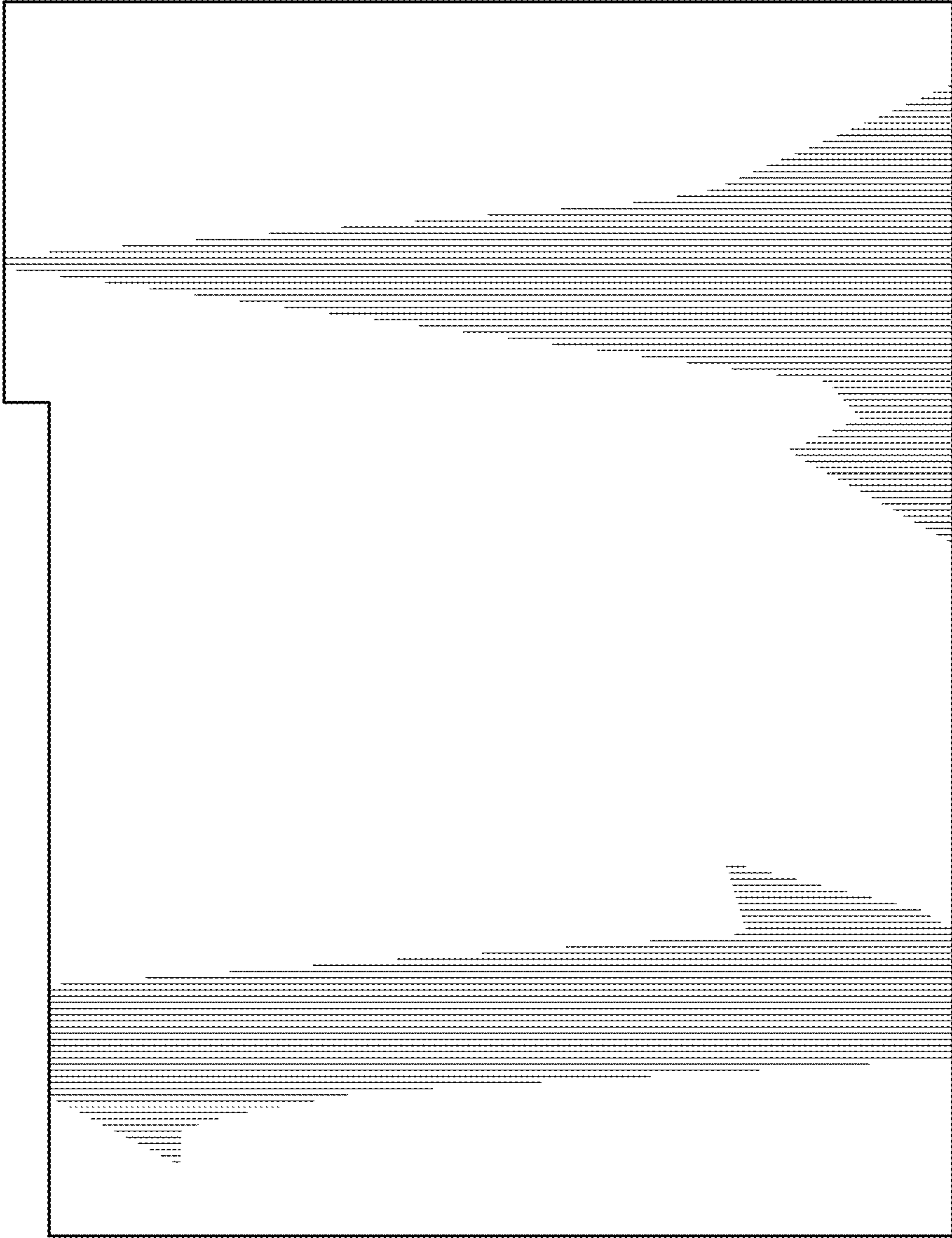


FIG. 4

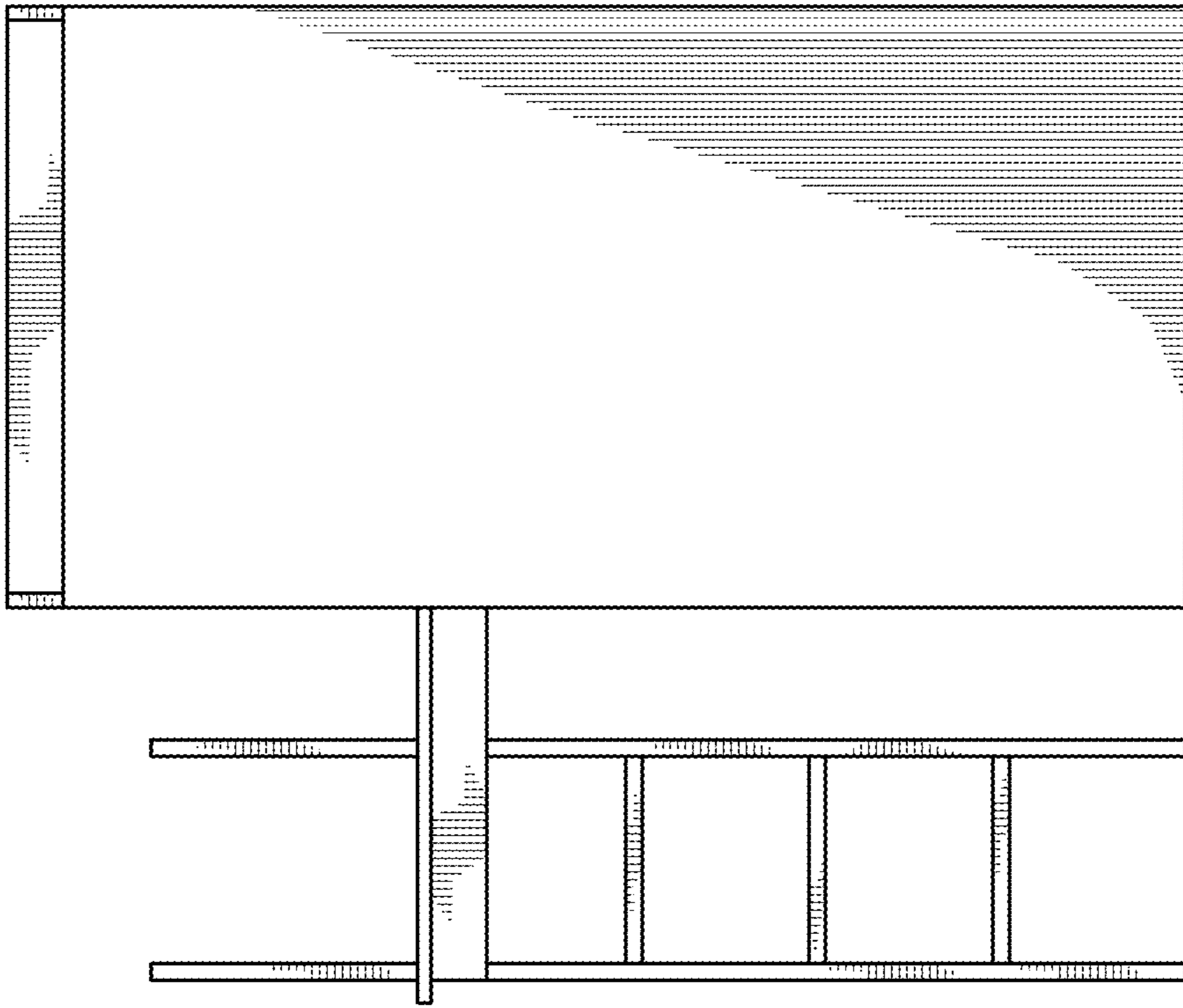


FIG. 6

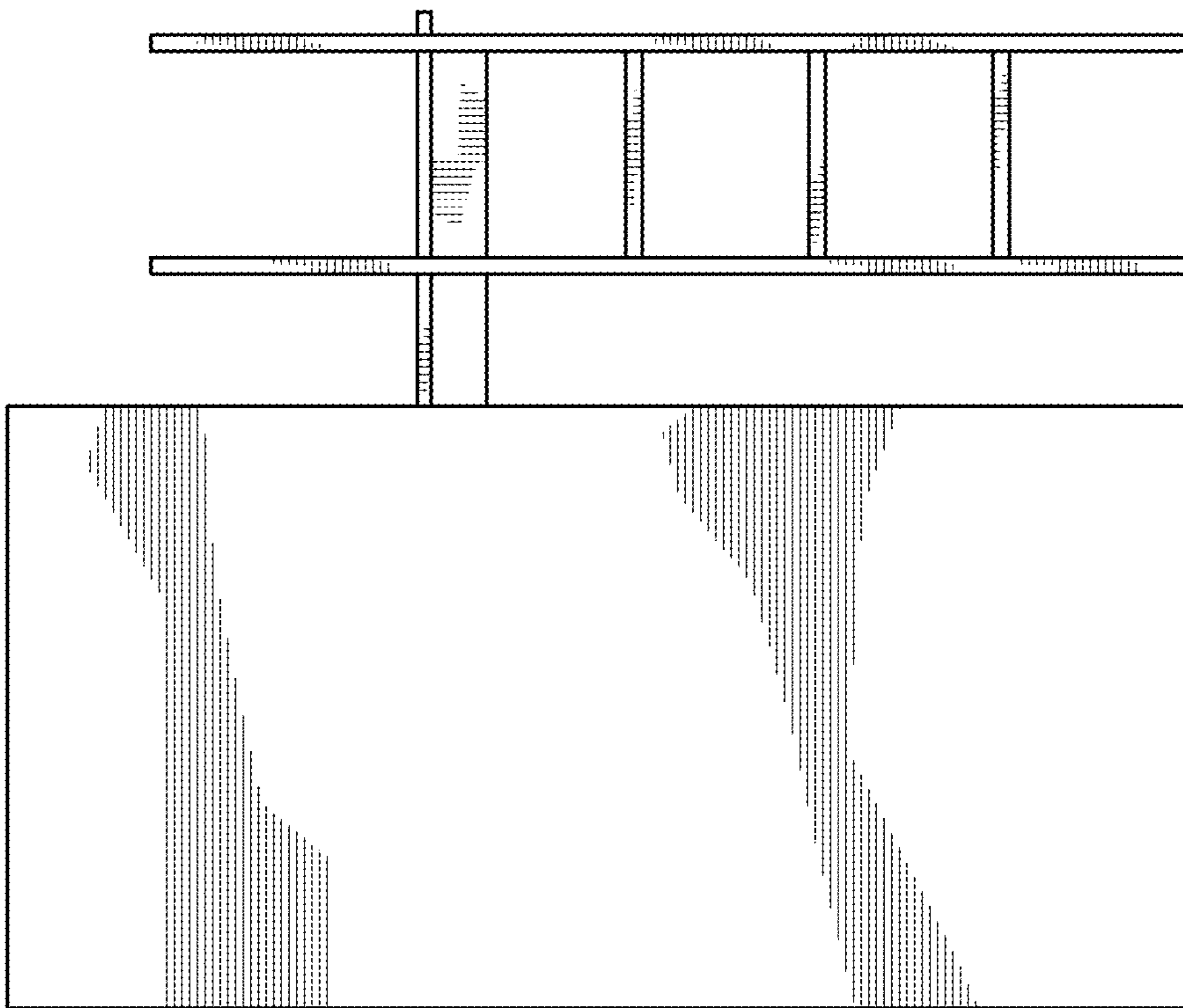


FIG. 5

