



US00D771763S

(12) **United States Design Patent** (10) **Patent No.:** **US D771,763 S**
Hamons et al. (45) **Date of Patent:** **** Nov. 15, 2016**

(54) **PLAYGROUND SLIDE**
(71) Applicant: **MIRACLE RECREATION EQUIPMENT COMPANY**, Monett, MO (US)
(72) Inventors: **Scott Christopher Hamons**, Charlotte, NC (US); **Lloyd Wayne Reese**, Farmington, MO (US)
(73) Assignee: **Miracle Recreation Equipment Company**, Monett, MO (US)
(**) Term: **14 Years**
(21) Appl. No.: **29/523,988**
(22) Filed: **Apr. 15, 2015**
(51) **LOC (10) Cl.** **21-03**
(52) **U.S. Cl.**
USPC **D21/818**
(58) **Field of Classification Search**
USPC D21/811, 814, 818-822
CPC A63G 21/00-21/22
See application file for complete search history.

D400,948 S * 11/1998 Fish, Jr. D21/818
5,842,927 A * 12/1998 Rieber A63G 21/02
104/69
D410,060 S * 5/1999 Zeilinger D21/818
D427,272 S * 6/2000 Sutton D21/818
6,342,015 B1 * 1/2002 Robertson A63G 21/02
472/116
D460,511 S * 7/2002 Van Deusen D21/818
D483,089 S * 12/2003 Johnson D21/818
D513,779 S * 1/2006 Zeilinger D21/818
D514,652 S * 2/2006 Auberger D21/818
D520,590 S * 5/2006 Zeilinger D21/818
D522,604 S * 6/2006 Rieber D21/818
D575,840 S * 8/2008 Sammann D21/818
D601,220 S * 9/2009 Sammann D21/818
7,662,045 B2 * 2/2010 Sammann A63G 21/04
472/116
D690,382 S * 9/2013 Kopp D21/822
D693,419 S * 11/2013 Tukker D21/818

* cited by examiner
Primary Examiner — Mitchell Siegel
(74) *Attorney, Agent, or Firm* — Polster, Lieder, Woodruff & Lucchesi, LC

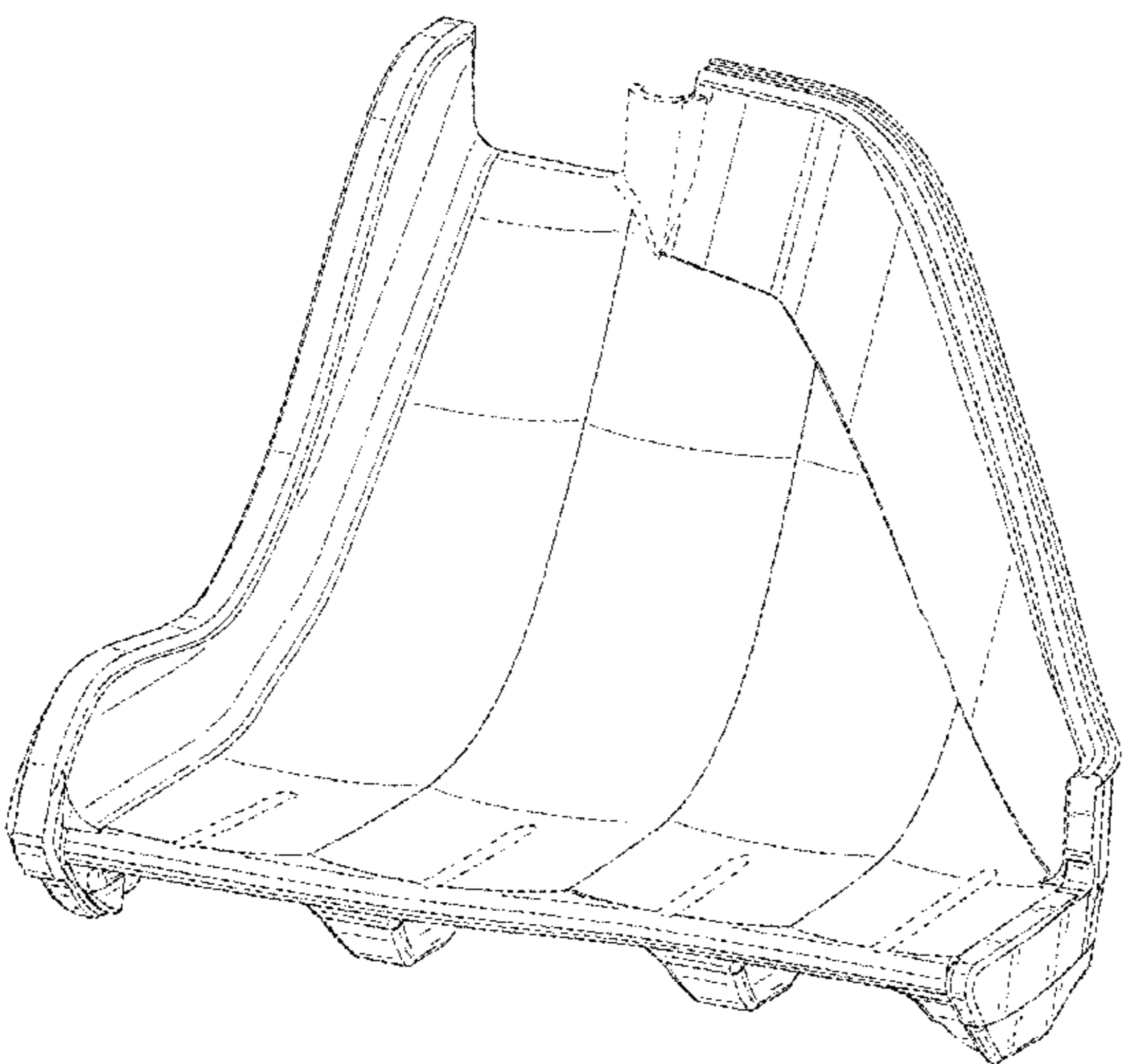
(57) **CLAIM**
The ornamental design for playground slide, as shown and described.

(56) **References Cited**
U.S. PATENT DOCUMENTS
D224,247 S * 7/1972 Jamison D21/818
D271,037 S * 10/1983 Gordon D21/822
D273,503 S * 4/1984 Mariol D21/818
D274,450 S * 6/1984 Gordon D21/822
D277,222 S * 1/1985 Mower D21/822
D281,447 S * 11/1985 Gordon D21/822
D281,985 S * 12/1985 Spirk, Jr. D21/818
D285,224 S * 8/1986 Olsen D21/493
D330,743 S * 11/1992 Mercer D21/818
D336,674 S * 6/1993 Baer D21/818
D343,438 S * 1/1994 Fish, Jr. D21/818
D368,759 S * 4/1996 Fuligni D21/818
D377,075 S * 12/1996 Temple D21/818
D377,203 S * 1/1997 Jaeb D21/820
D384,722 S * 10/1997 Siragusa, Jr. D21/818
D388,148 S * 12/1997 Sutton D21/818

DESCRIPTION

FIG. 1 is a first perspective view of the playground slide; FIG. 2 is a second perspective view of the playground slide; FIG. 3 is a right side elevational view of the playground slide; FIG. 4 is a front elevational view of the playground slide; FIG. 5 is a left side elevational view of the playground slide; FIG. 6 is a top plan view of the playground slide; FIG. 7 is a rear elevational view of the playground slide; and, FIG. 8 is a bottom plan view of the playground slide. The broken line showing is included for the purpose of illustrating and forms no part of the claimed design.

1 Claim, 8 Drawing Sheets



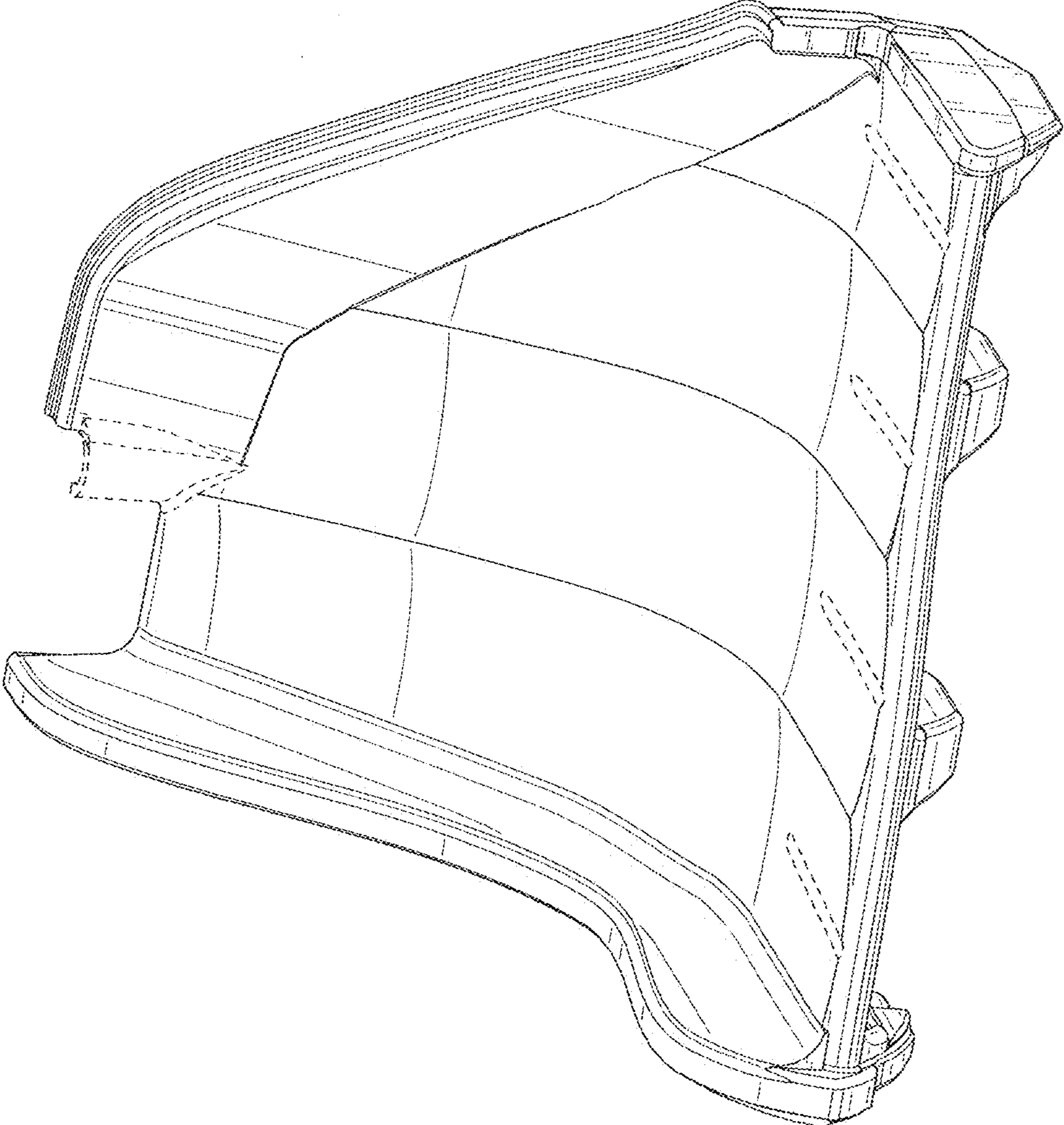


FIG. 1

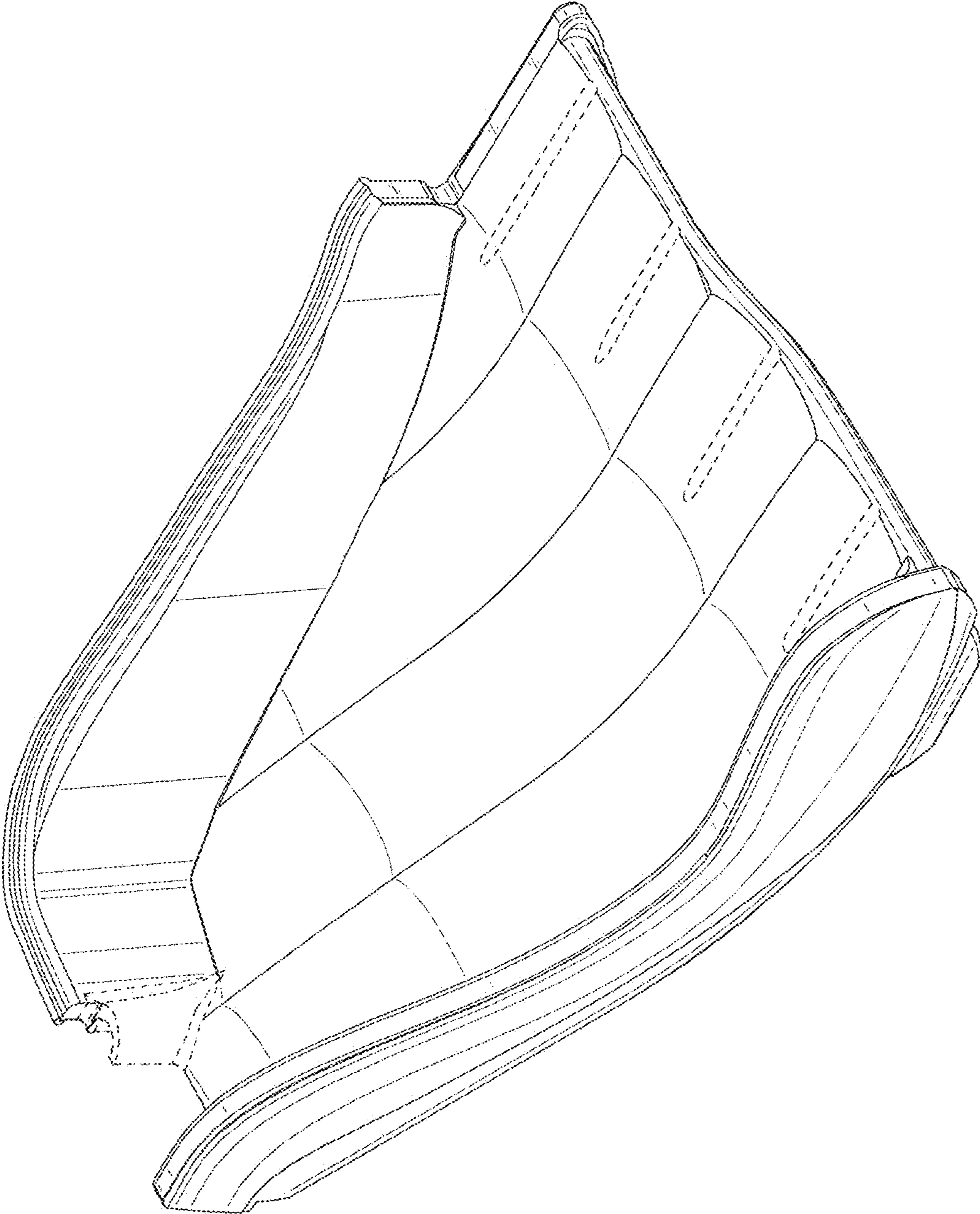


FIG. 2



FIG. 3

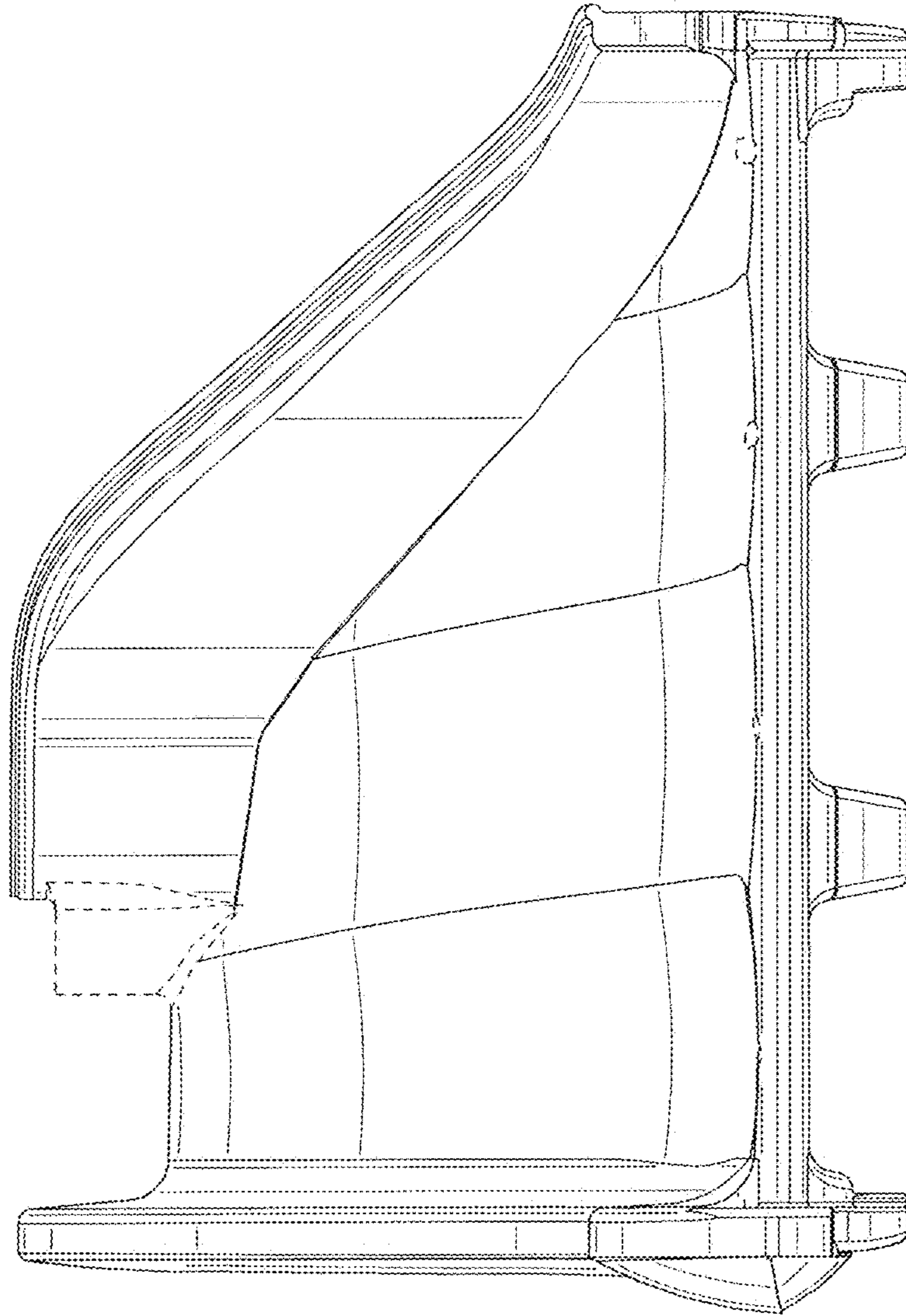


FIG. 4

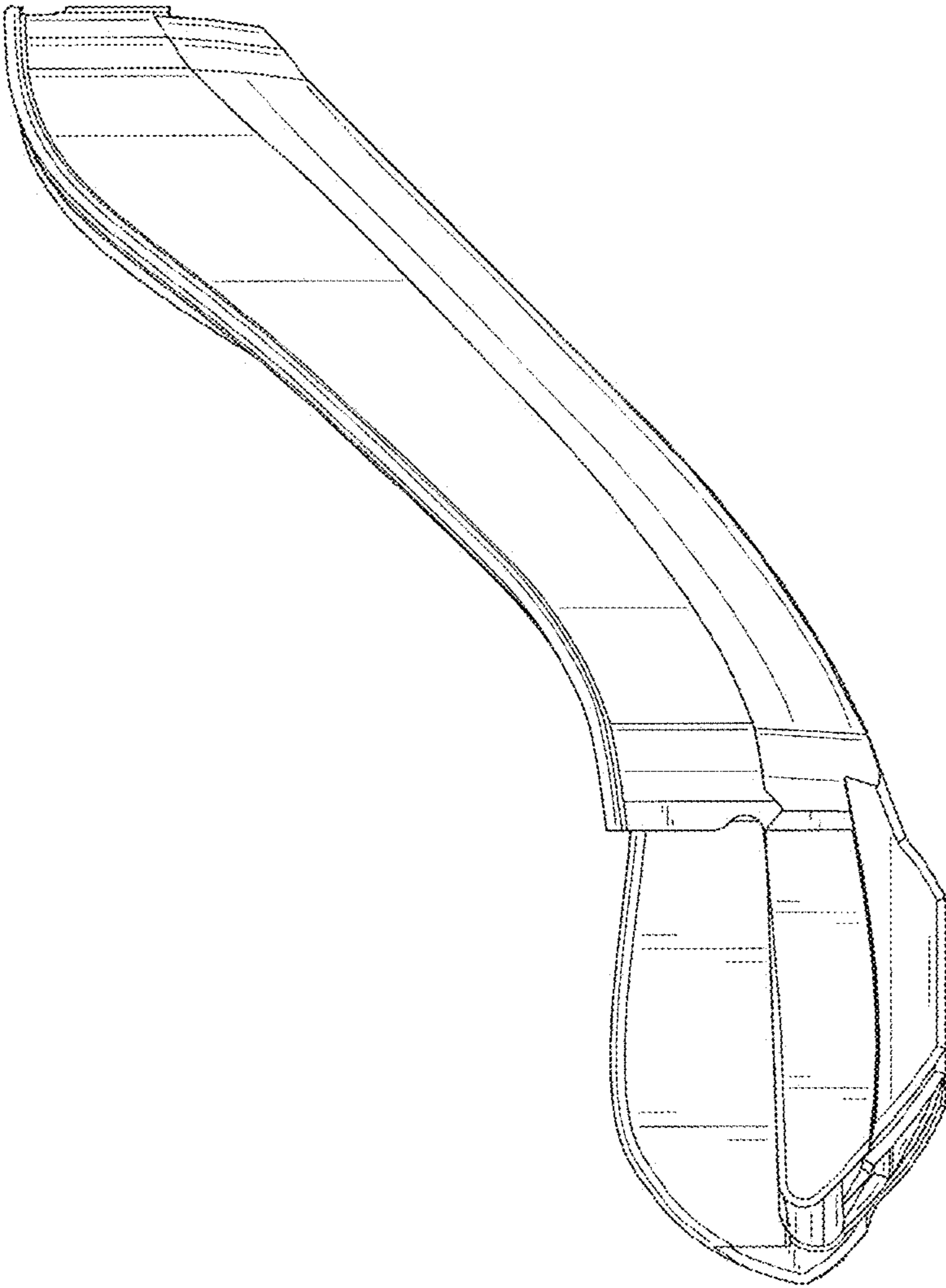


FIG. 5

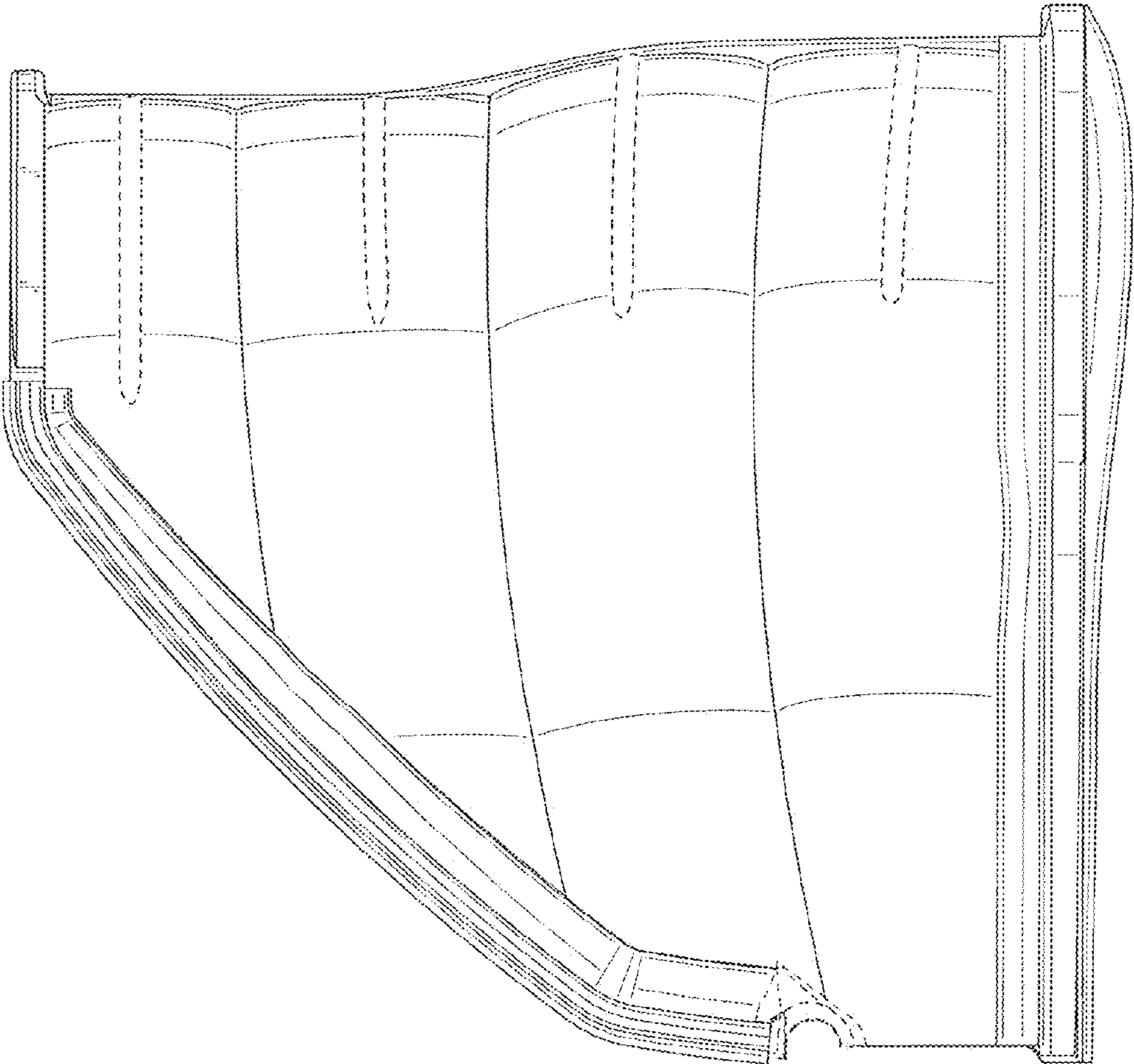


FIG. 6

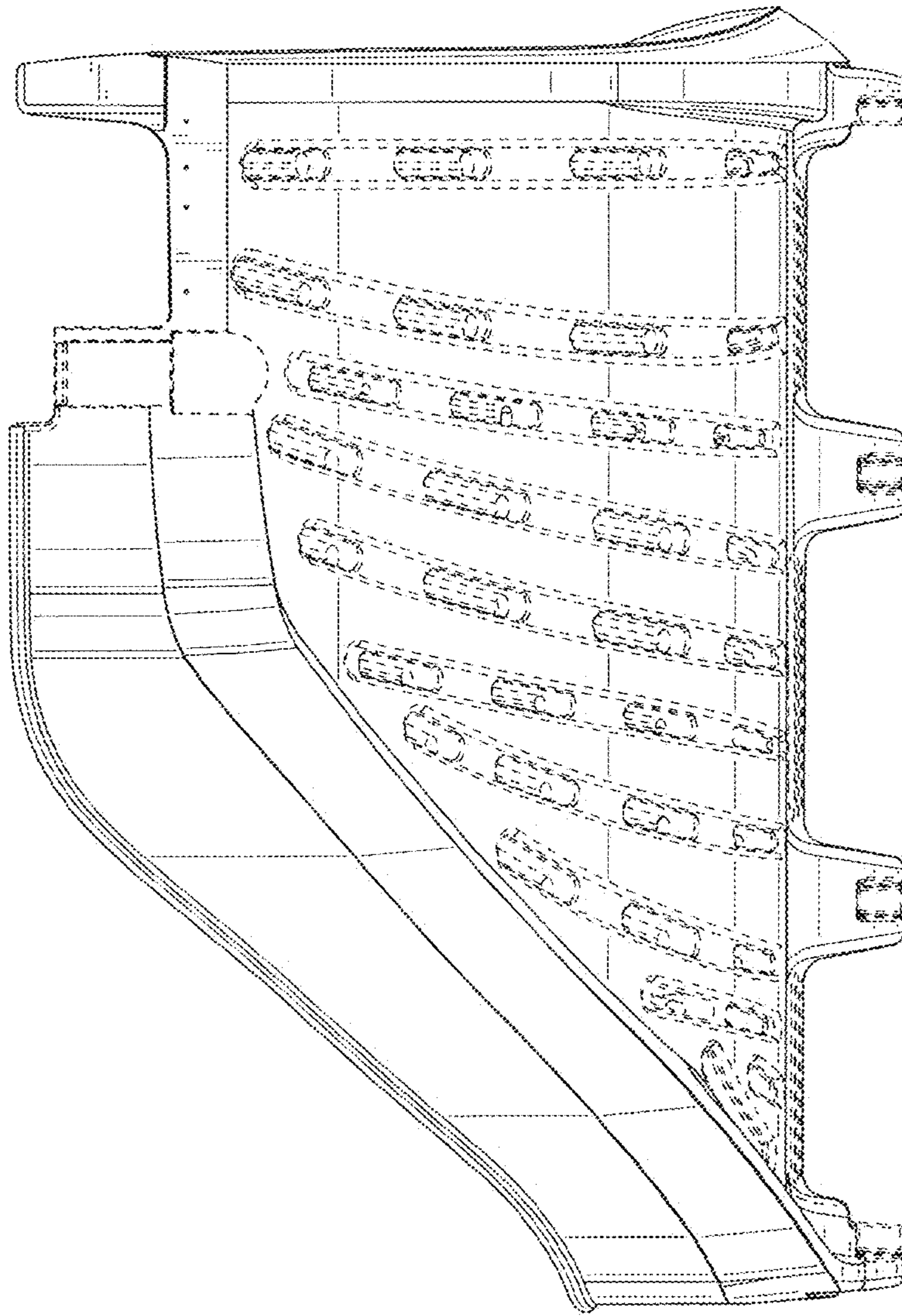


FIG. 7

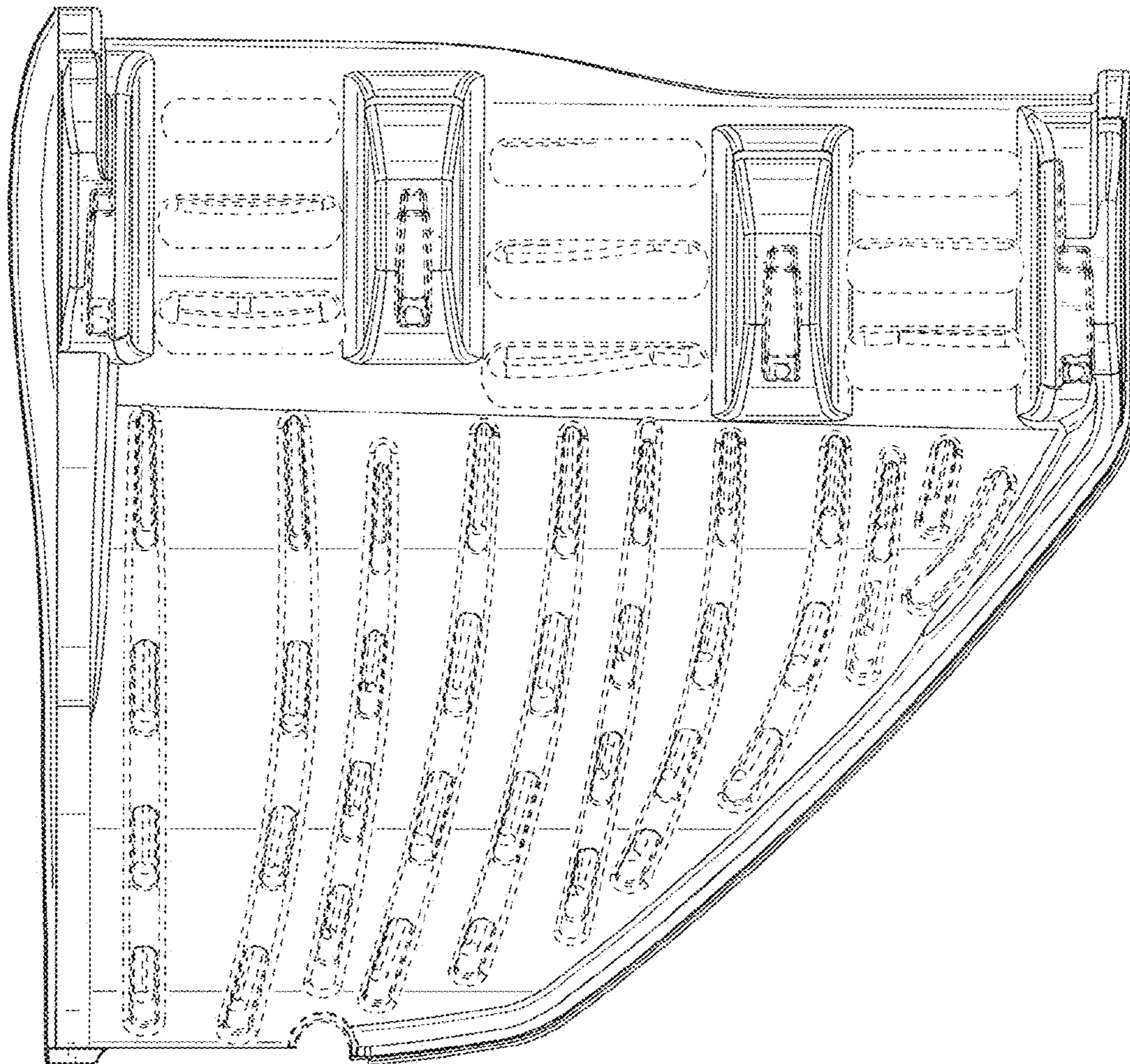


FIG. 8