



US00D771761S

(12) **United States Design Patent** (10) **Patent No.:** **US D771,761 S**  
**McKinney et al.** (45) **Date of Patent:** **\*\* Nov. 15, 2016**

- (54) **HOCKEY PASSING TRAINING DEVICE**
- (71) Applicant: **Fan-tastic Sports, LLC**, Lakeville, MN (US)
- (72) Inventors: **Brian M. McKinney**, Lakeville, MN (US); **Bryce Salvador**, Westfield, NJ (US); **Peter A. Ing**, Ontario (CA)
- (73) Assignee: **Fan-tastic Sports, LLC**, Lakeville, MN (US)
- (\*\*) Term: **15 Years**
- (21) Appl. No.: **29/540,187**
- (22) Filed: **Sep. 22, 2015**
- (51) **LOC (10) Cl.** ..... **21-02**
- (52) **U.S. Cl.**  
USPC ..... **D21/722**
- (58) **Field of Classification Search**  
USPC ..... D21/722, 710, 727, 753, 698  
CPC ..... A63B 69/00; A63B 69/0024; A63B 69/0026; A63B 69/0097  
See application file for complete search history.

(56) **References Cited**

**U.S. PATENT DOCUMENTS**

D301,906 S *	6/1989	Coolen .....	D21/710
5,362,045 A	11/1994	Hammett et al.	
5,580,048 A	12/1996	Mullen et al.	
D444,520 S	7/2001	O'Malley	
6,328,664 B1 *	12/2001	Hammett .....	A63B 69/0026 473/422
D628,253 S *	11/2010	McKinney .....	D21/722

D637,669 S *	5/2011	McKinney .....	D21/722
8,469,841 B1 *	6/2013	Giauque .....	A63B 69/0026 473/164
2006/0063615 A1 *	3/2006	Richardson .....	A63B 69/0026 473/446

**OTHER PUBLICATIONS**

Hockey Training with the Ultimate Passer, Ultimate Passer, obtained from the Internet, [http://www.snipersedge.com/The\\_Ultimate\\_Passer\\_s/25.htm](http://www.snipersedge.com/The_Ultimate_Passer_s/25.htm), date unknown, 2 pages.  
 Sweet Hockey, Passmaster\_passing\_trainer, obtained from Internet, <http://www.sweethockey.com/page/show/58618-passmaster-passing-trainer>, date unknown, 3 pages.  
 Tape 2 Tape Passer, Obtained from Internet, [http://www.hockeyshot.com/Tape\\_2\\_Tape\\_Passer\\_p/passing-aid-004.htm](http://www.hockeyshot.com/Tape_2_Tape_Passer_p/passing-aid-004.htm), date unknown, 3 pages.

\* cited by examiner

*Primary Examiner* — Mitchell Siegel

(74) *Attorney, Agent, or Firm* — Thompson Coburn LLP

(57) **CLAIM**

The ornamental design for a hockey passing training device, as shown and described.

**DESCRIPTION**

FIG. 1 is a perspective view of a hockey passing device showing our new design.

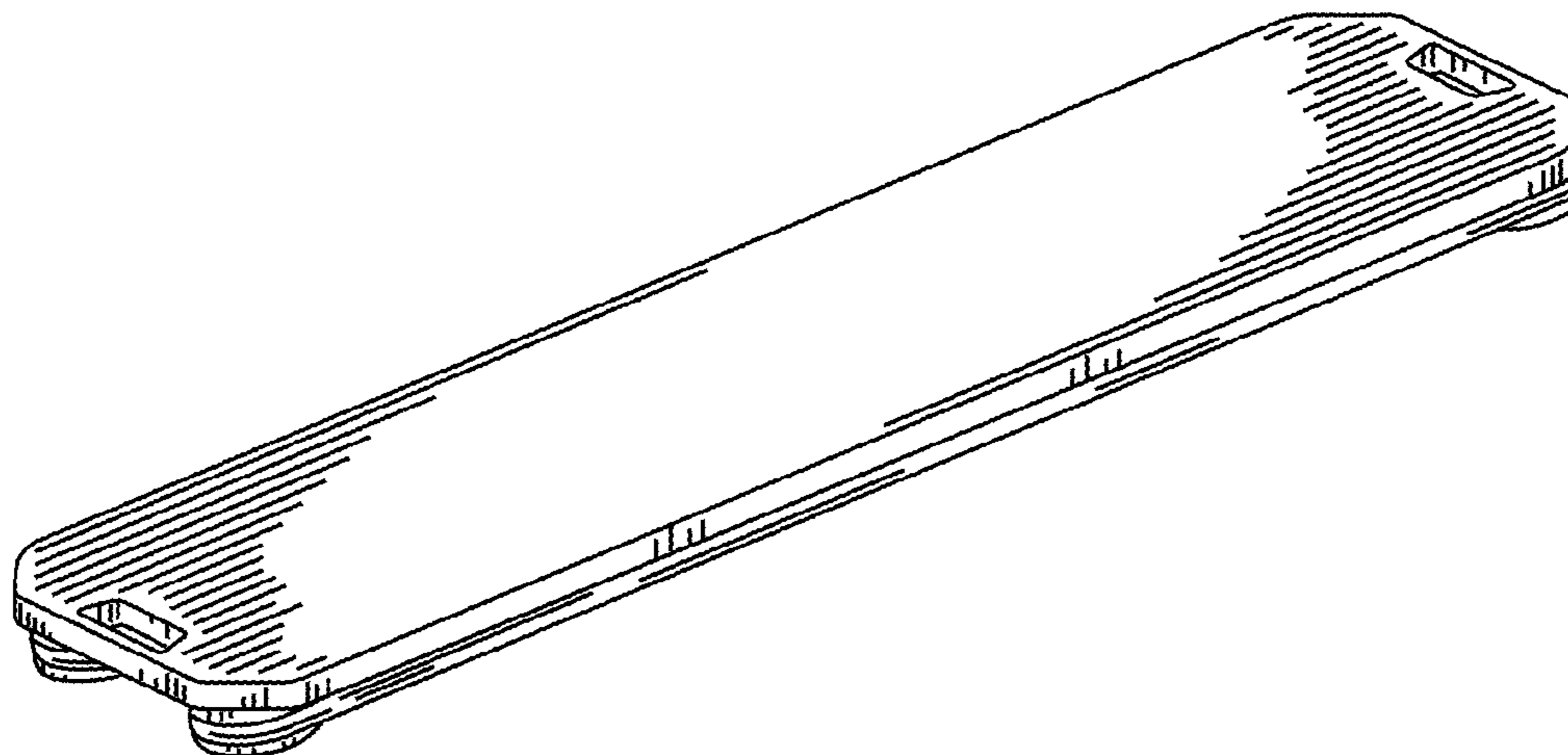
FIG. 2 is a top view of thereof.

FIG. 3 is a bottom view thereof.

FIG. 4 is a side view thereof, the opposite side view being identical; and,

FIG. 5 is an end view thereof, the opposite end view being identical.

**1 Claim, 2 Drawing Sheets**



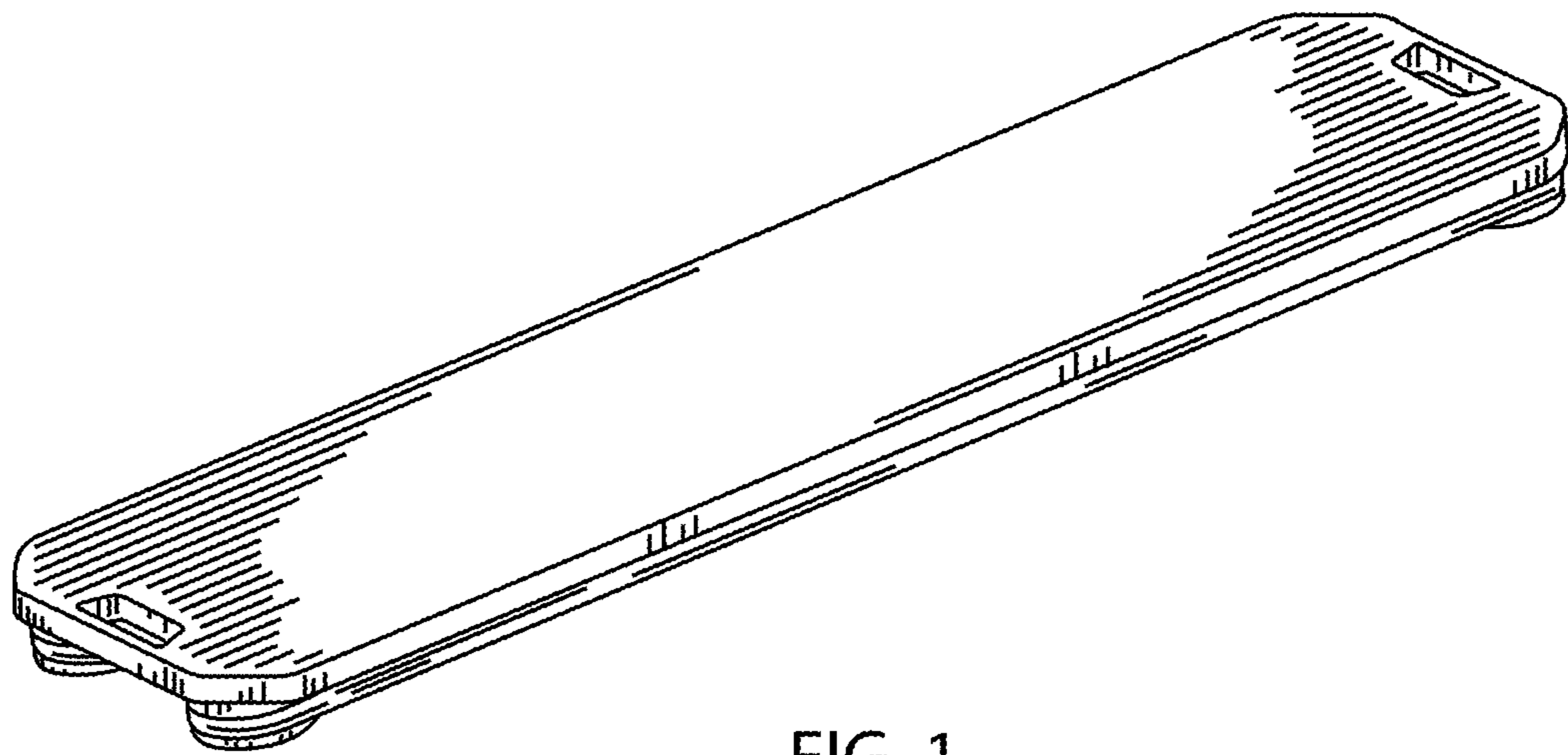


FIG. 1



FIG. 2

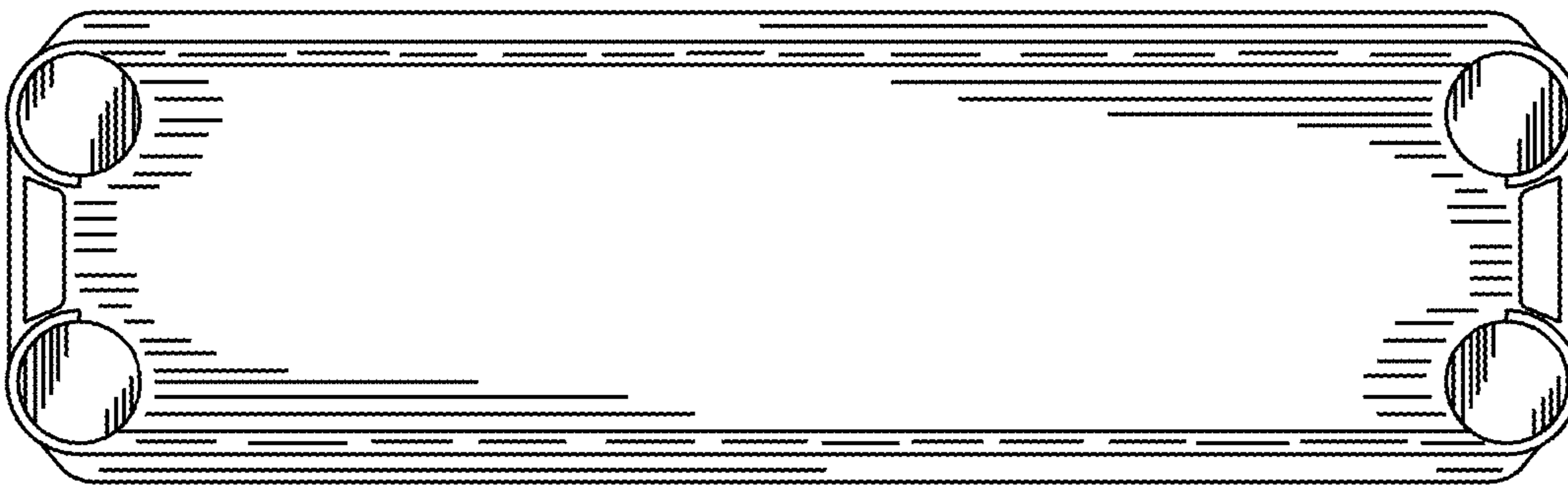


FIG. 3

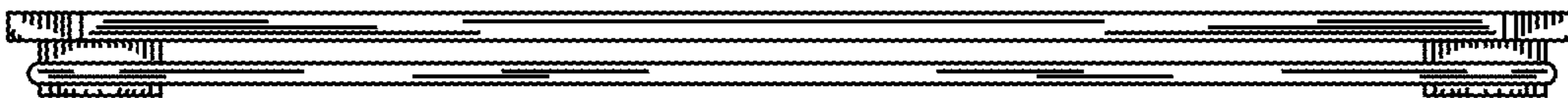


FIG. 4

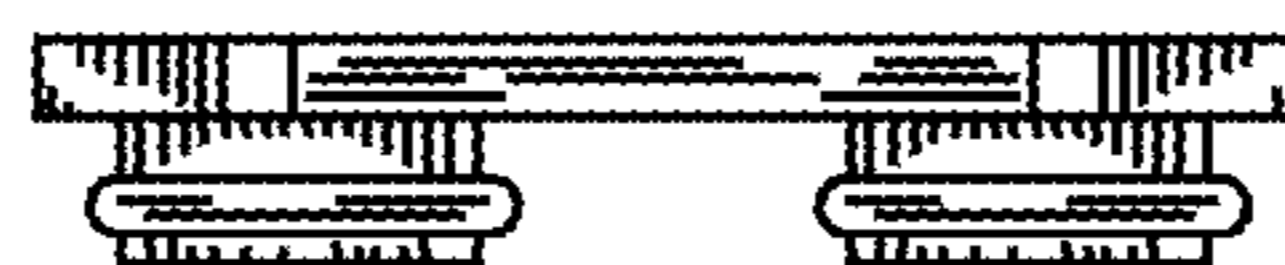


FIG. 5