



US00D771752S

(12) **United States Design Patent**
Henkin et al.

(10) **Patent No.:** **US D771,752 S**

(45) **Date of Patent:** **** Nov. 15, 2016**

(54) **MAGNETIC TOY**

(71) Applicant: **RUX International Co., LTD**, Hong Kong (HK)

(72) Inventors: **Roger Henry Henkin**, West Bloomfield, MI (US); **Sho Ubukata**, Nagoya (JP)

(73) Assignee: **Roger Henry Henkin**, West Bloomfield, MI (US)

(**) Term: **14 Years**

(21) Appl. No.: **29/503,986**

(22) Filed: **Oct. 1, 2014**

(51) **LOC (10) Cl.** **21-01**

(52) **U.S. Cl.**
USPC **D21/404**; D21/491

(58) **Field of Classification Search**
USPC D21/311–323, 398, 404, 478, 484–505;
D9/418; D6/314; D13/183; 446/92,
446/129–139
CPC A63H 33/04; A63H 33/046
See application file for complete search history.

(56) **References Cited**

U.S. PATENT DOCUMENTS

| | | | | |
|----------------|---------|-----------|-------|------------------------|
| D141,391 S * | 5/1945 | Wilson | | D21/478 |
| 3,585,735 A * | 6/1971 | Miller | | B43L 1/008 434/409 |
| 4,925,338 A * | 5/1990 | Kapusta | | A63H 33/04 220/4.24 |
| 5,021,021 A * | 6/1991 | Ballard | | A63H 33/046 335/285 |
| D384,995 S * | 10/1997 | Munir | | D21/491 |
| 6,431,936 B1 * | 8/2002 | Kiribuchi | | A63H 33/046 446/129 |

| | | | | |
|-------------------|---------|-------------|-------|-----------------------|
| D503,954 S * | 4/2005 | Balanchi | | D21/484 |
| D513,628 S * | 1/2006 | Andersen | | D21/404 |
| 7,154,363 B2 * | 12/2006 | Hunts | | H01F 7/0242 24/303 |
| D614,250 S * | 4/2010 | Frederiksen | | D21/501 |
| D631,104 S * | 1/2011 | With | | D21/485 |
| D632,346 S * | 2/2011 | Hardstaff | | D21/501 |
| D693,320 S * | 11/2013 | Zelazowski | | D13/183 |
| 9,314,707 B2 * | 4/2016 | Ornstein | | A63H 33/046 |
| 2013/0267145 A1 * | 10/2013 | Rosen | | A63H 33/046 446/92 |
| 2014/0179194 A1 * | 6/2014 | Fein | | A63H 33/046 446/92 |
| 2014/0227934 A1 * | 8/2014 | Rudisill | | A63H 33/046 446/92 |

* cited by examiner

Primary Examiner — Catherine Tuttle

(74) *Attorney, Agent, or Firm* — Marshall & Melhorn, LLC

(57) **CLAIM**

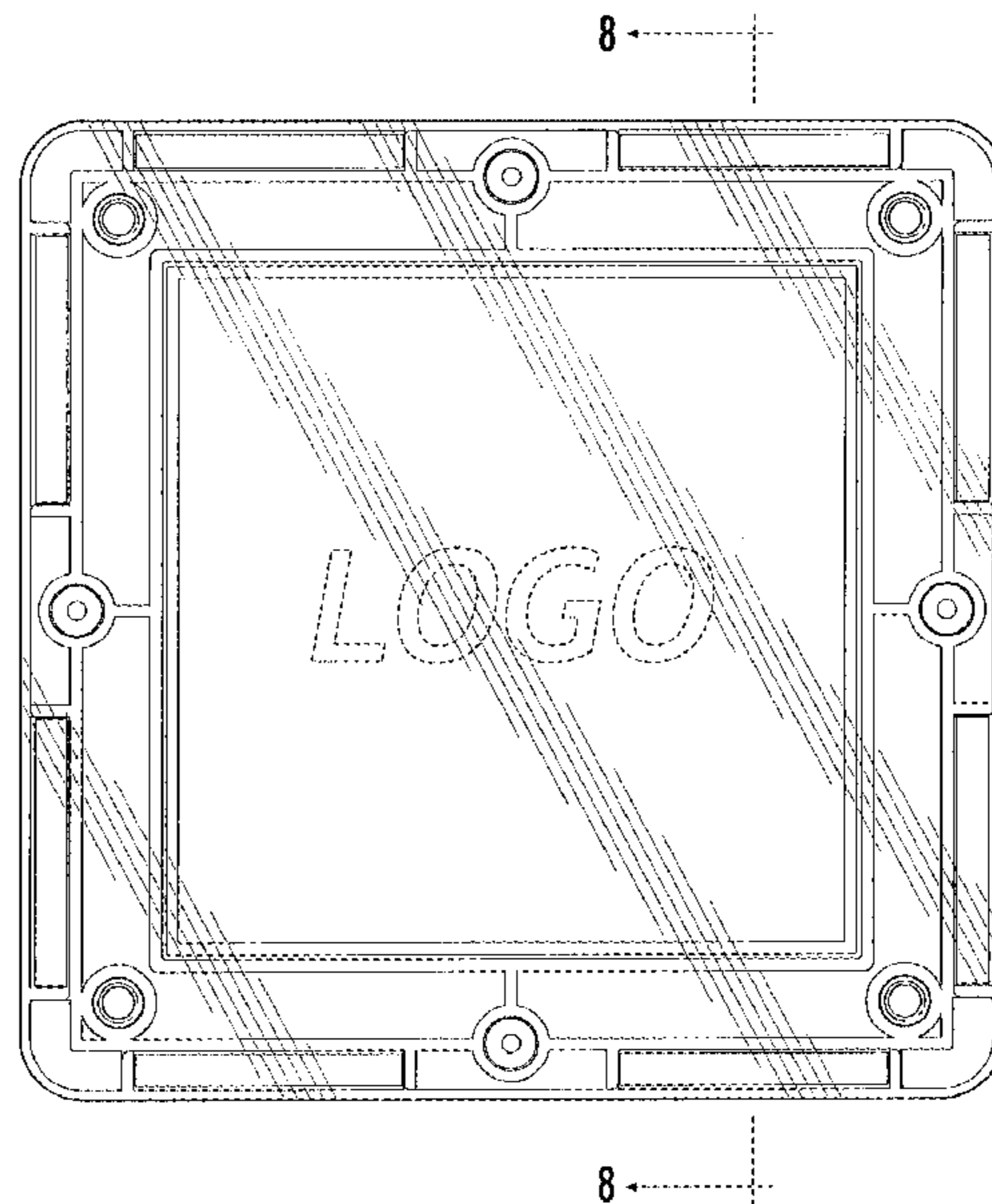
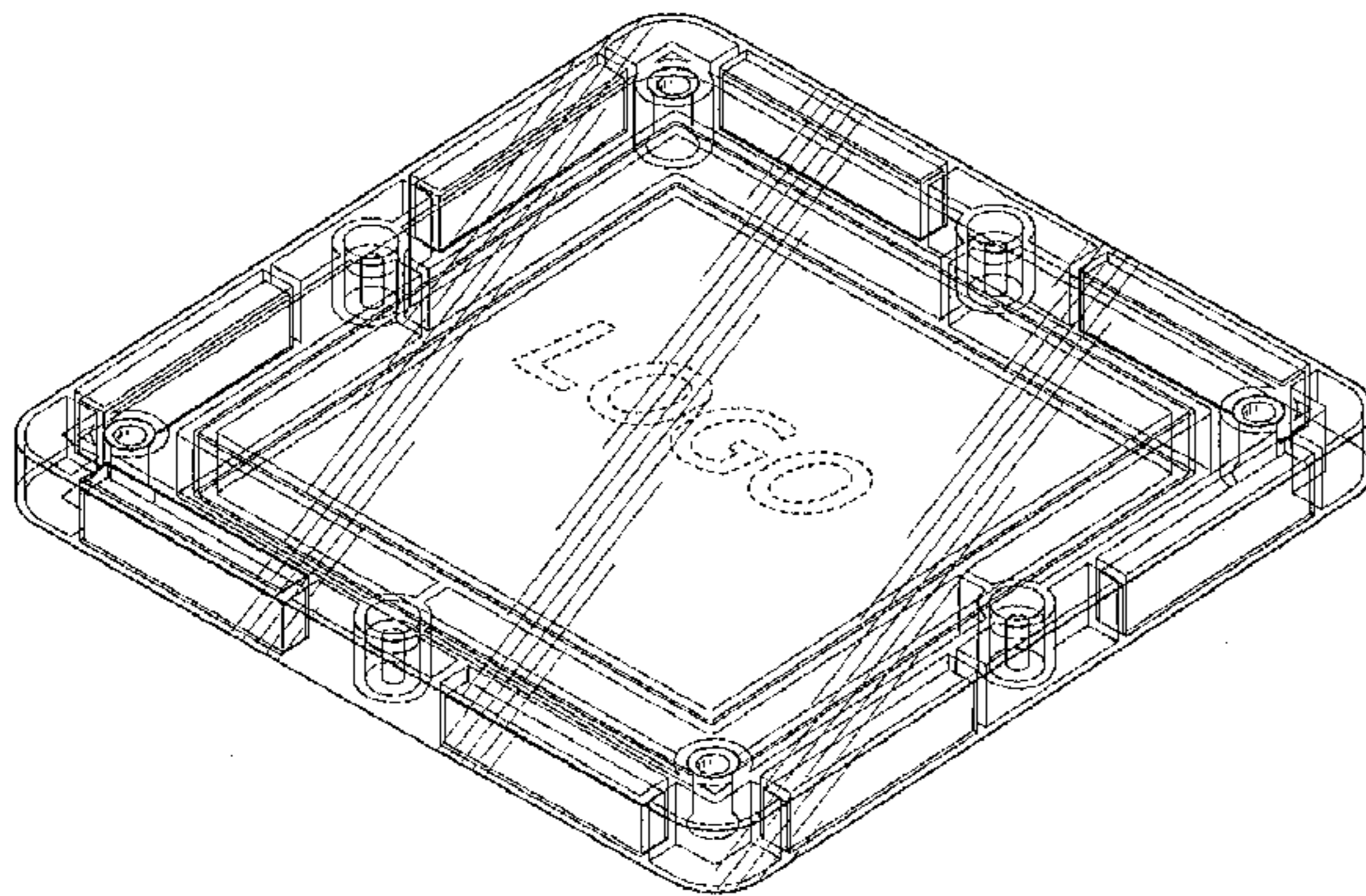
The ornamental design for the magnetic toy, as shown and described.

DESCRIPTION

FIG. 1 is a front perspective view of a magnetic toy showing our new design;
FIG. 2 is a front view of the magnetic toy shown in FIG. 1;
FIG. 3 is a rear view thereof;
FIGS. 4-7 are side views thereof; and,
FIG. 8 is a cross sectional view taken along line 8-8 of FIG. 2.

The broken lines showing the indicia “LOGO” are for illustrative purposes only and form no part of the claimed design.

1 Claim, 4 Drawing Sheets



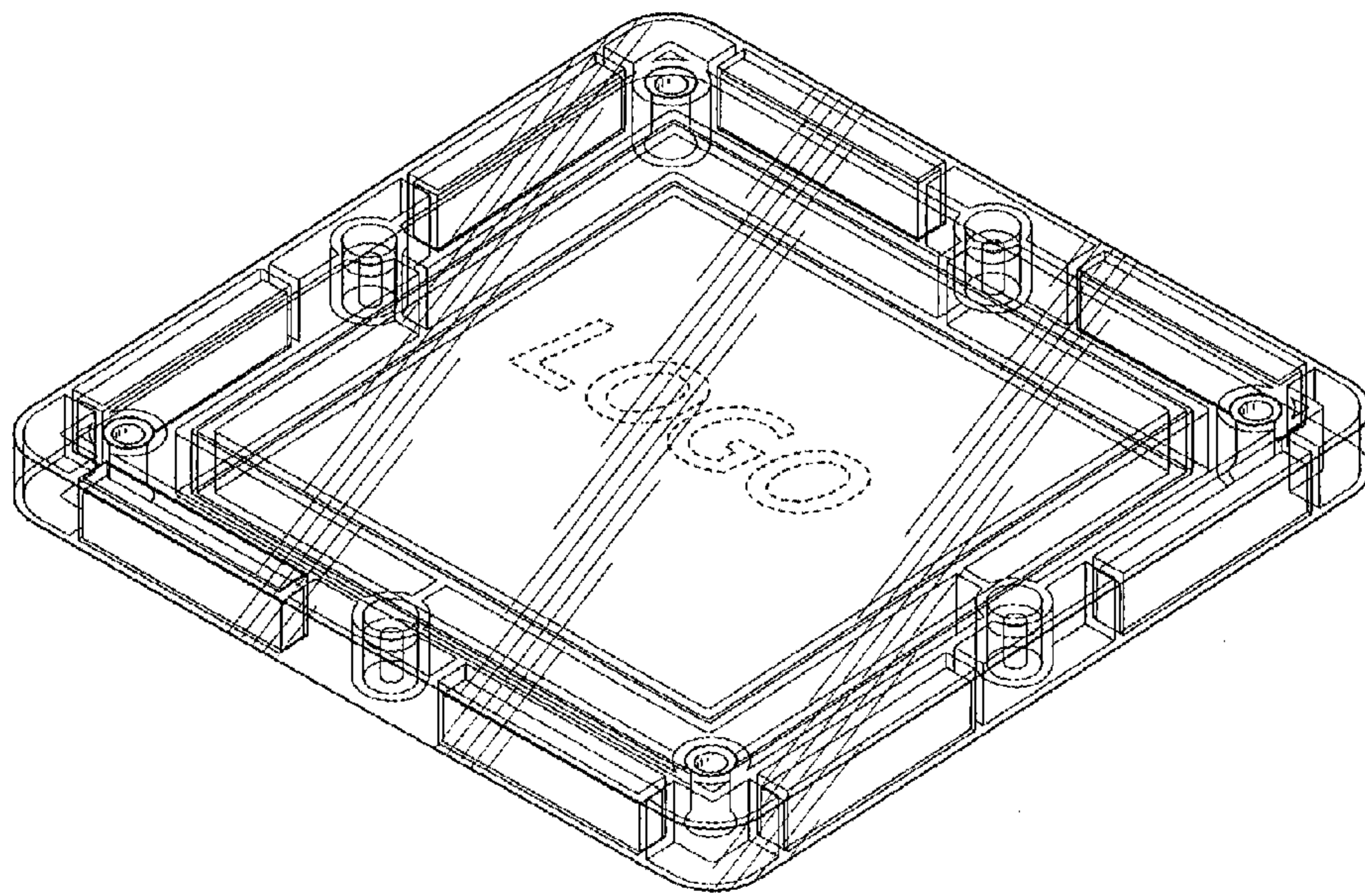


FIG. 1

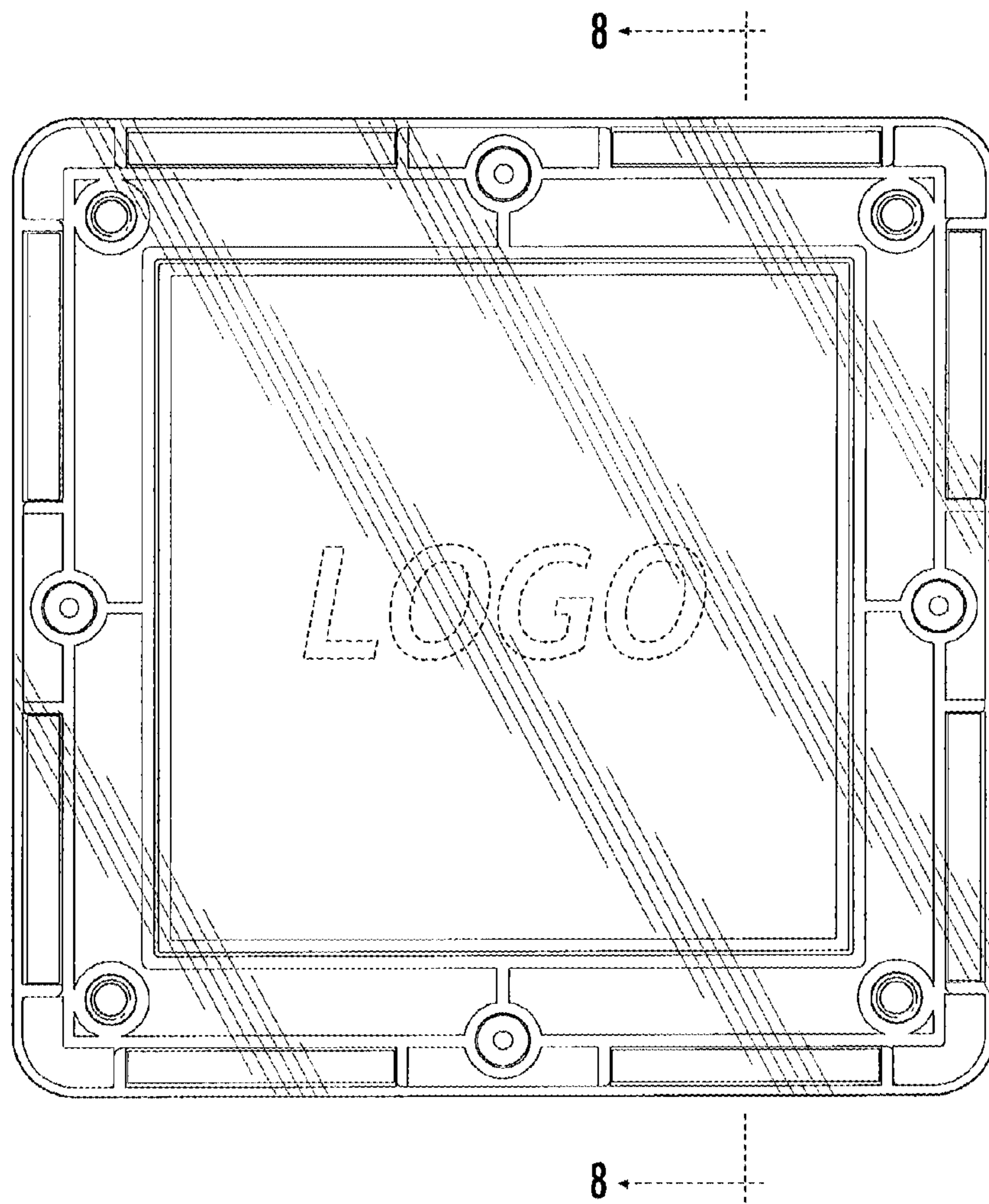


FIG. 2

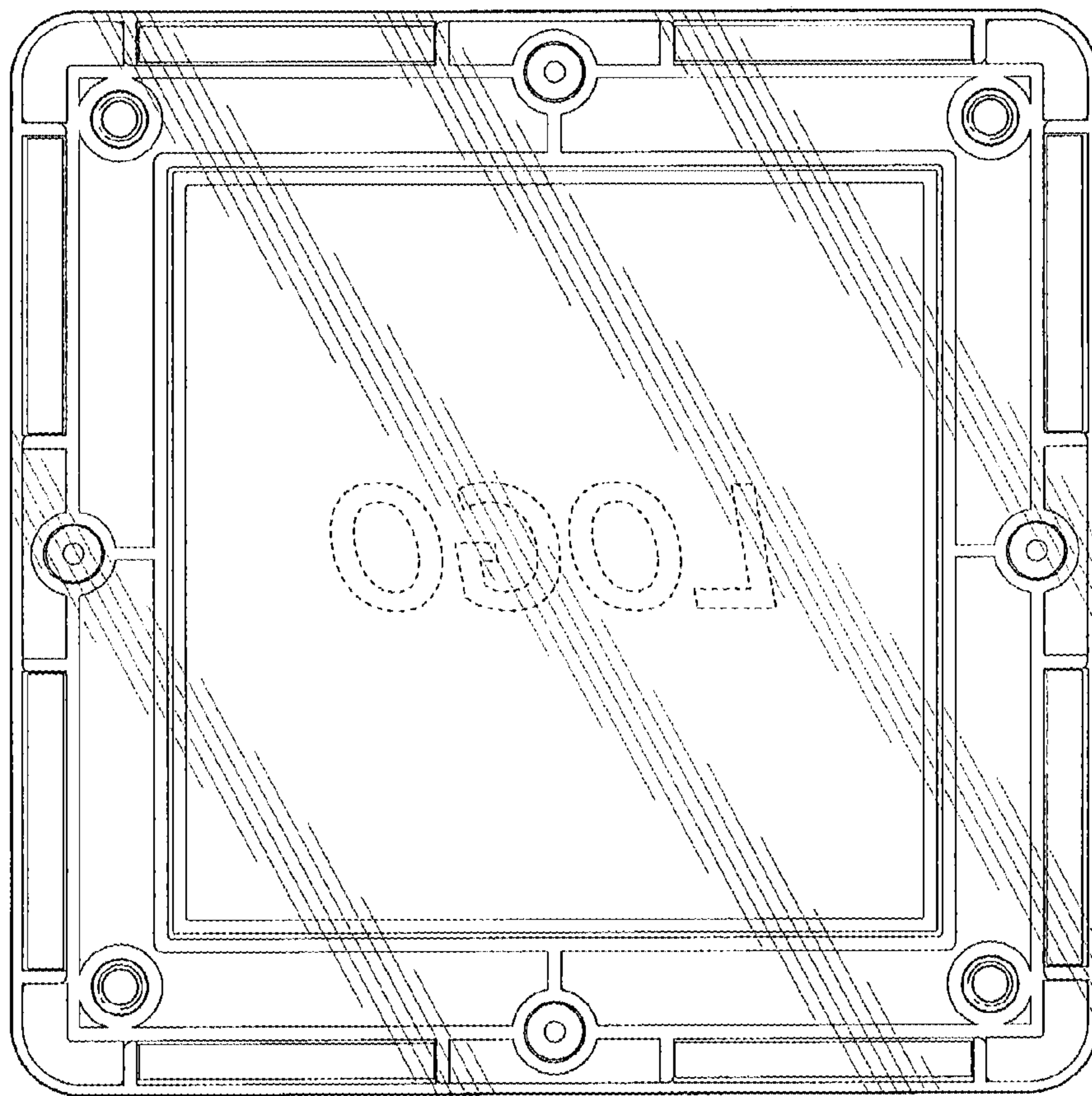


FIG. 3

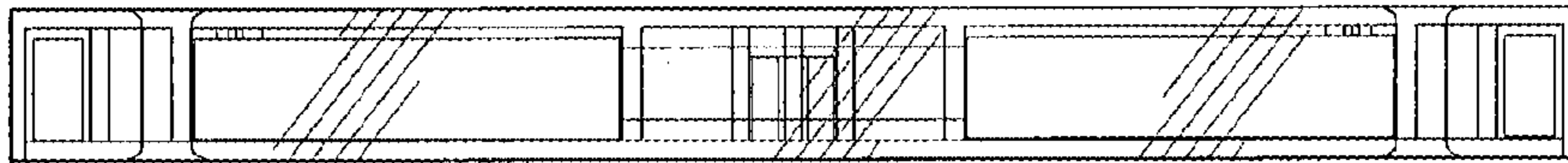


FIG. 4

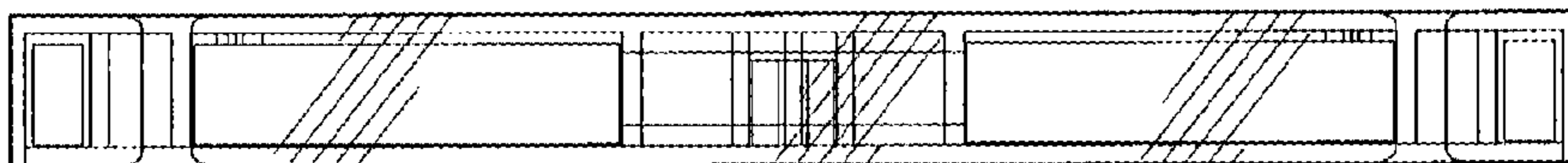


FIG. 5



FIG. 6

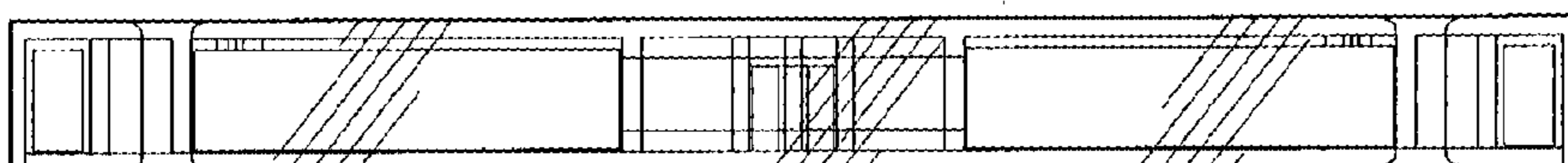


FIG. 7

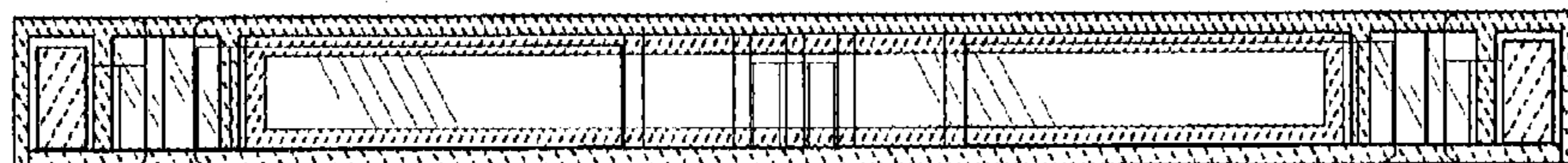


FIG. 8