



US00D771751S

(12) **United States Design Patent** (10) **Patent No.:** **US D771,751 S**
Moscatelli et al. (45) **Date of Patent:** **** Nov. 15, 2016**

(54) **GAME TILE** 7,832,732 B1 * 11/2010 Torres A63F 1/02
 273/153 R
 (71) Applicant: **Play Works Studio, Inc.**, Normandy
 Park, WA (US) D667,267 S * 9/2012 Kushner D21/480
 D673,797 S * 1/2013 McShane D21/397
 D686,672 S * 7/2013 Davis D21/392
 (72) Inventors: **Adriana Moscatelli**, Normandy Park,
 WA (US); **Adam McMullen**, The Hills,
 TX (US); **Nick Robbins**, Houston, TX
 (US) D721,859 S * 1/2015 Mhlbauer D21/479
 D749,797 S * 2/2016 Mhlbauer D21/478
 D754,801 S * 4/2016 Fox D21/480
 D759,166 S * 6/2016 Fox D21/480
 2005/0098948 A1 * 5/2005 Hronek A63F 9/10
 273/157 R
 2005/0200076 A1 * 9/2005 Wu A63F 9/10
 273/157 R
 2007/0164513 A1 * 7/2007 Gelman A63F 9/10
 273/157 R

(**) Term: **14 Years**

* cited by examiner

(21) Appl. No.: **29/518,766**

Primary Examiner — Darlington Ly

(22) Filed: **Feb. 26, 2015**

Assistant Examiner — Daniel J Domino

(51) **LOC (10) Cl.** **21-01**

(74) *Attorney, Agent, or Firm* — Christensen O'Connor
 Johnson Kindness PLLC

(52) **U.S. Cl.**

USPC **D21/386**; D21/478; D21/479; D21/480

(58) **Field of Classification Search**

USPC D21/386, 478–480

CPC A63F 9/10; A63F 9/12; A63F 9/20;

A63F 9/1044; A63F 9/1204; A63F 1/02;

A63F 1/04

See application file for complete search history.

(57) **CLAIM**

The ornamental design for a game tile, as shown and described.

DESCRIPTION

This invention was made with Government support under Award No. 1346821 awarded by the Small Business Innovation Research (SBIR) program of the National Science Foundation (NSF). The Government has certain rights in the invention.

FIG. 1 is a top right perspective view of a game tile showing our new design;

FIG. 2 is a front view thereof;

FIG. 3 is a top view thereof;

FIG. 4 is a bottom view thereof;

FIG. 5 is a left side view thereof; and,

FIG. 6 is a right side view thereof.

The broken lines show portions of the game tile which form no part of the claimed design.

(56) **References Cited**

U.S. PATENT DOCUMENTS

D267,895 S * 2/1983 Petrie 273/157 R

4,469,331 A * 9/1984 Rinker A63F 9/12

273/157 R

D341,630 S * 11/1993 Buflo D21/480

D350,772 S * 9/1994 King D19/64

D383,804 S * 9/1997 Parein D21/480

D406,284 S * 3/1999 Owen D21/478

D427,247 S * 6/2000 Mangeret D21/478

6,082,008 A * 7/2000 Lariviere, Jr. B26B 1/00

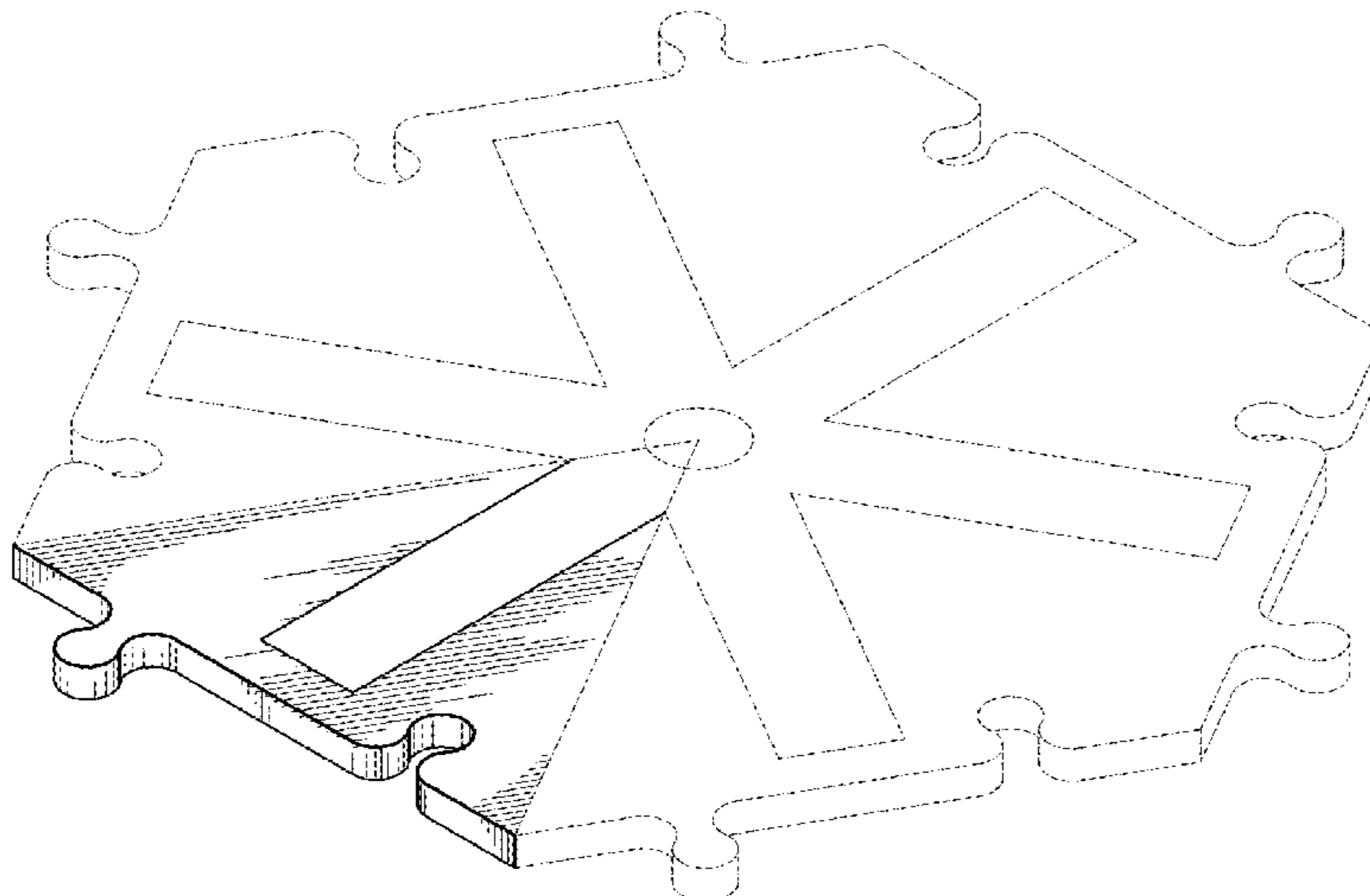
30/289

D518,114 S * 3/2006 Chuang D21/479

D541,549 S * 5/2007 Ng D21/480

D621,883 S * 8/2010 Jou D21/385

1 Claim, 4 Drawing Sheets



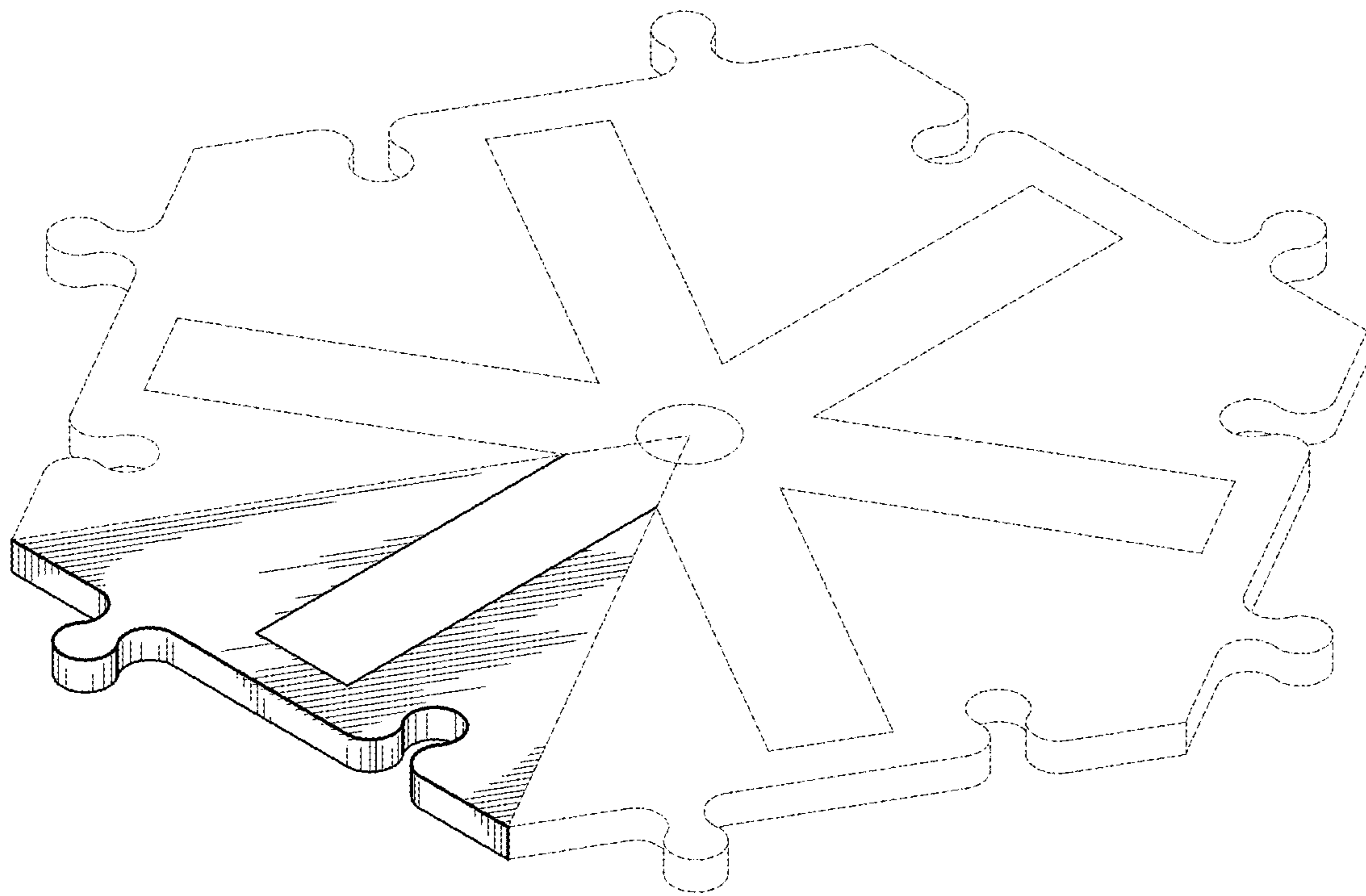


Fig. 1.

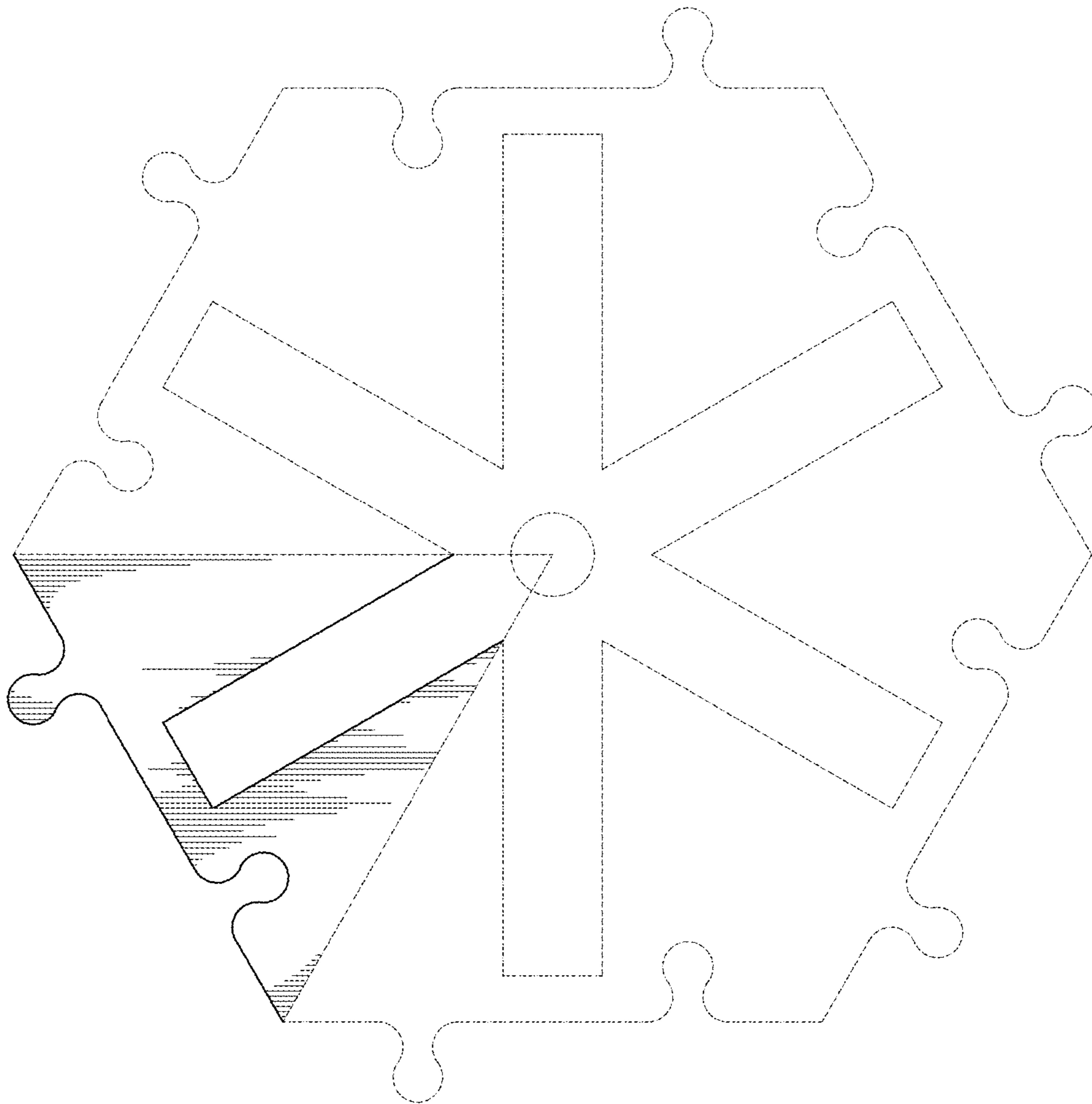


Fig. 2.



Fig.3.

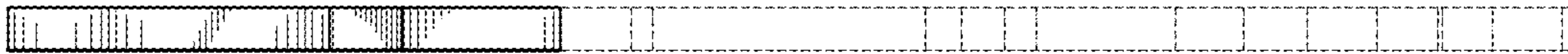


Fig.4.



Fig. 5.

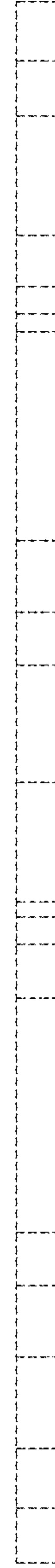


Fig. 6.