



US00D771748S

(12) **United States Design Patent**
Knotts et al.

(10) **Patent No.:** **US D771,748 S**
(45) **Date of Patent:** **** Nov. 15, 2016**

(54) **DISPLAY DEVICE FOR CABINETY DOORS**

(71) Applicant: **PFI Displays**, Rittman, OH (US)

(72) Inventors: **Dennis Robert Knotts**, Medina, OH (US); **James Tricomi**, Brecksville, OH (US)

(73) Assignee: **PFI Displays, Inc.**, Rittmann, OH (US)

(**) Term: **15 Years**

(21) Appl. No.: **29/543,375**

(22) Filed: **Oct. 23, 2015**

(51) **LOC (10) Cl.** **19-02**

(52) **U.S. Cl.**
USPC **D19/90**

(58) **Field of Classification Search**
USPC D3/304; D6/300, 310, 567, 682.3;
D7/601; D19/78, 84, 90; 248/441 R;
206/387, 387.1
CPC A47B 63/06; A47B 63/065; A47B
2063/005; G11B 33/0416; G11B 33/0483
See application file for complete search history.

(56) **References Cited**

U.S. PATENT DOCUMENTS

4,131,197	A *	12/1978	Blankenmeister .	G11B 23/0233 206/387.1
D264,786	S *	6/1982	Faas	D19/90
D299,037	S *	12/1988	Klodt	D19/90
5,184,722	A *	2/1993	Shin	G11B 33/0483 206/387.1
D335,611	S *	5/1993	Petrallia	D7/601
D343,339	S *	1/1994	Merwin	D7/601
D349,427	S *	8/1994	Merwin	D7/601
D349,925	S *	8/1994	Charron	D19/90
D354,171	S *	1/1995	Schmidt	D6/300
D355,993	S *	3/1995	Pijzel	D6/682.3

5,624,027	A *	4/1997	Ayers	G11B 33/0416 206/307
D391,990	S *	3/1998	Wolff	D19/78
D426,041	S *	5/2000	Boghossian	D34/6
D432,795	S *	10/2000	Block	D6/300
D444,816	S *	7/2001	Stravitz	D19/86
D494,813	S *	8/2004	Nguyen	D19/90
D637,649	S *	5/2011	Beukema	D19/90
D645,088	S *	9/2011	Perkins	D19/90
D646,722	S *	10/2011	Chuang	D19/90
D648,800	S *	11/2011	Dambricourt	D19/90
D665,846	S *	8/2012	Chuang	D19/90
D708,258	S *	7/2014	Lee	D19/90
D751,304	S *	3/2016	Hickman	D3/304

* cited by examiner

Primary Examiner — Manpreet Matharu

Assistant Examiner — Keith Wilson

(74) *Attorney, Agent, or Firm* — Fay Sharpe LLP

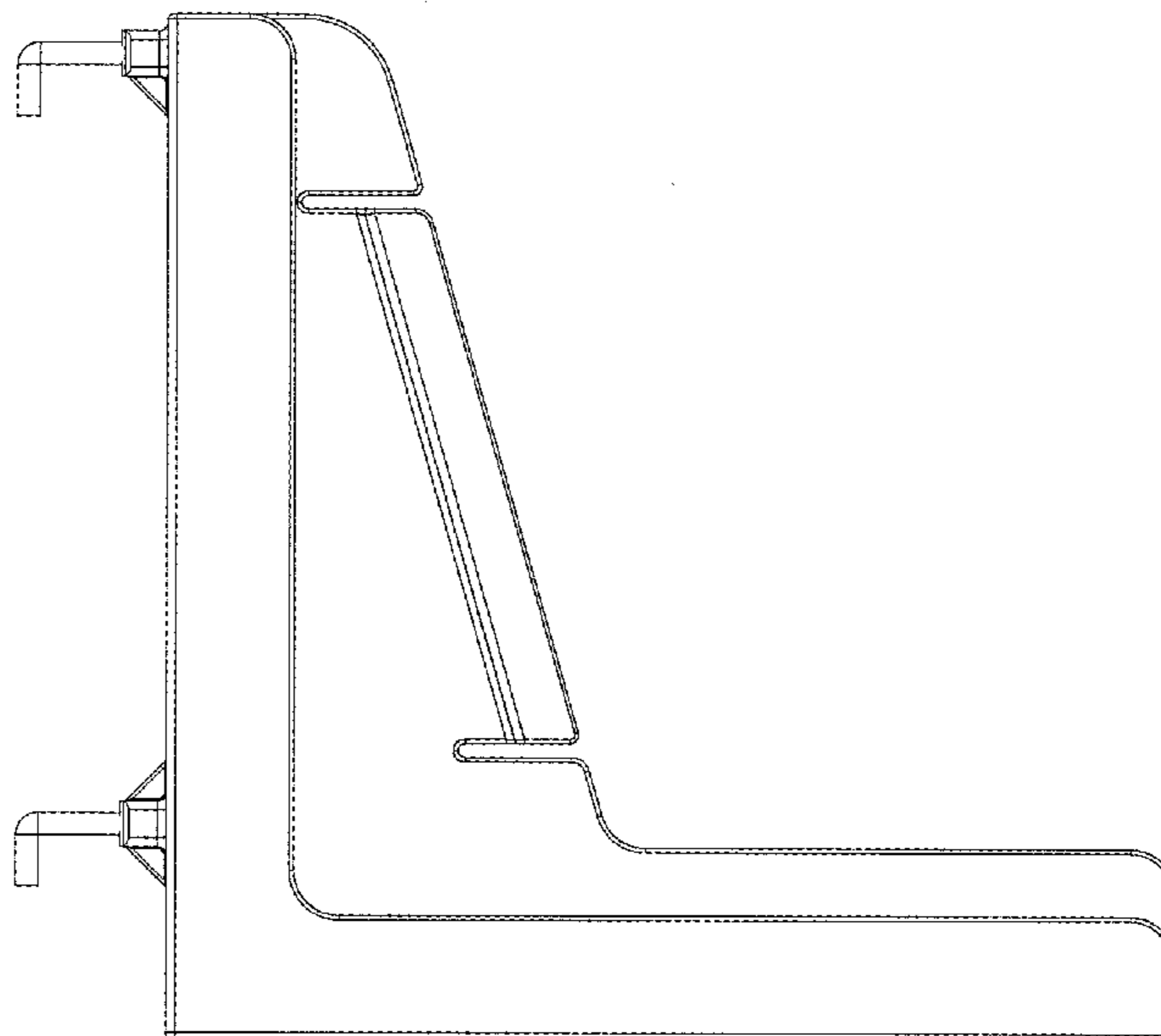
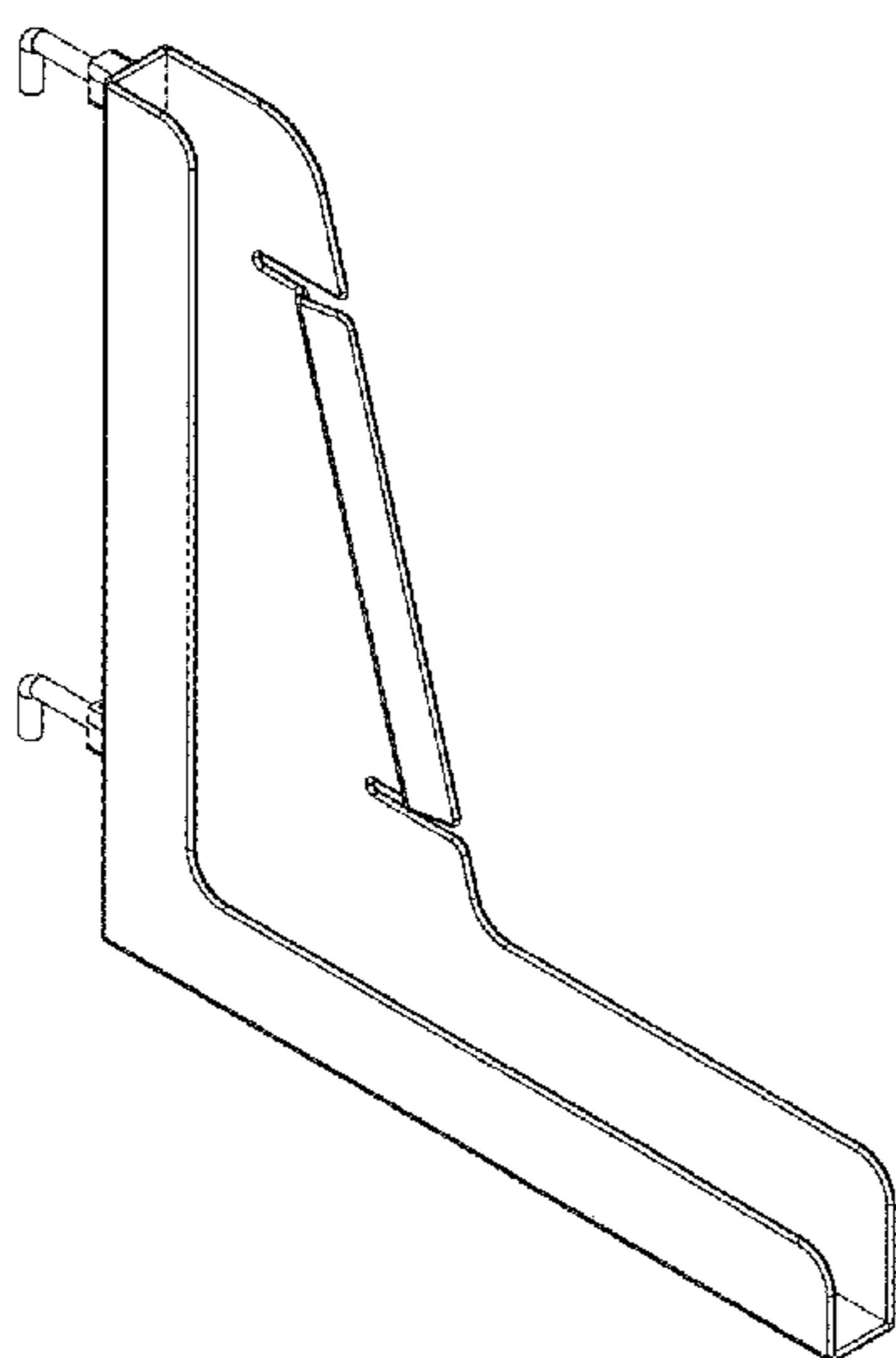
(57) **CLAIM**

The ornamental design for a display device for cabinetry doors, as shown and described.

DESCRIPTION

FIG. 1 is a front elevation view of a display device for cabinetry doors showing my new design;
FIG. 2 is a side plan view of the display device for cabinetry doors of FIG. 1;
FIG. 3 is an opposite side plan view of the display device for cabinetry doors of FIG. 1;
FIG. 4 is a front plan view thereof of the display device for cabinetry doors of FIG. 1;
FIG. 5 a back plan view thereof of the display device for cabinetry doors of FIG. 1;
FIG. 6 is a top plan view of the display device for cabinetry doors of FIG. 1; and,
FIG. 7 is a bottom plan view of the display device for cabinetry doors of FIG. 1.

1 Claim, 7 Drawing Sheets



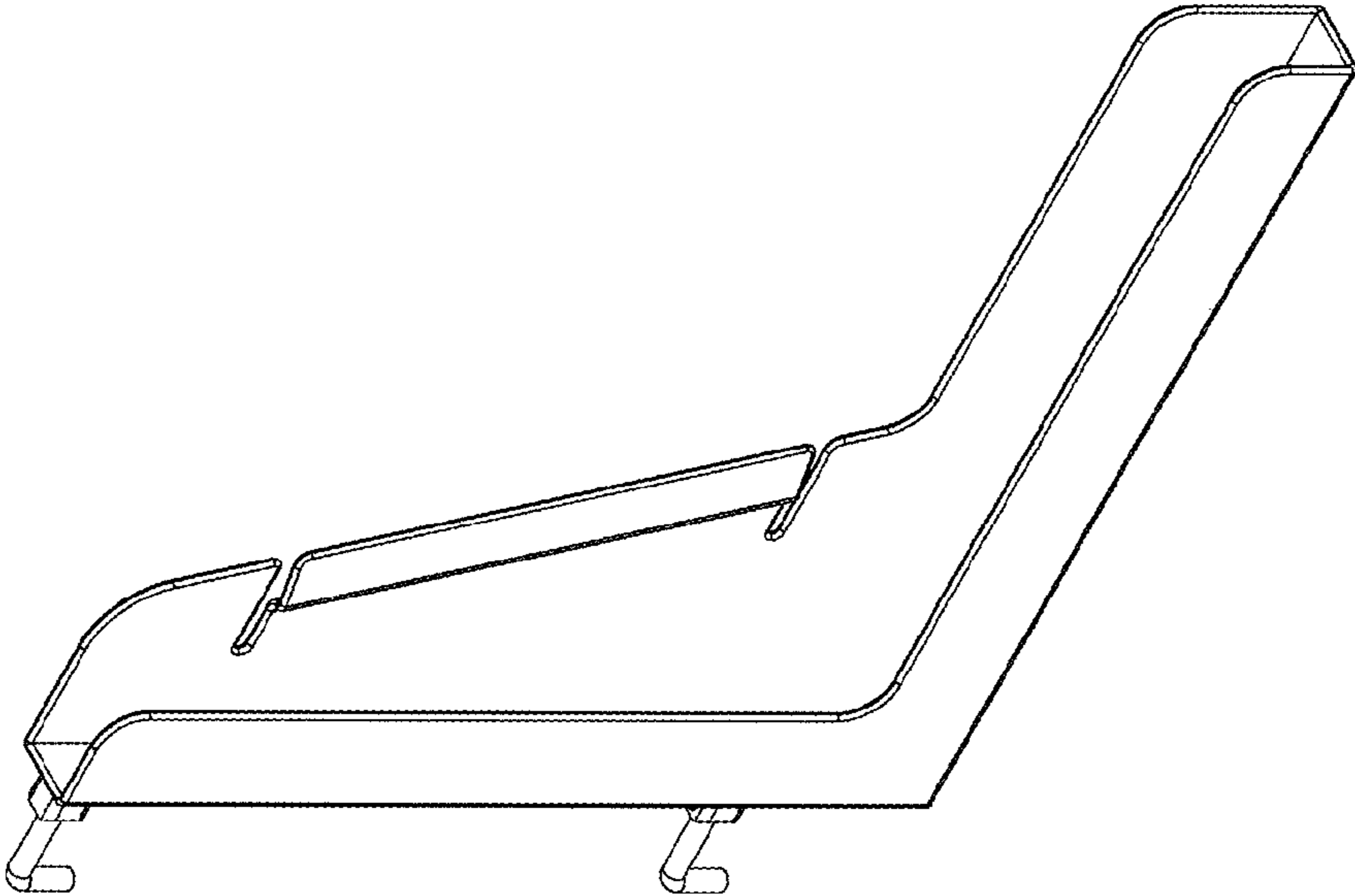


Figure 1

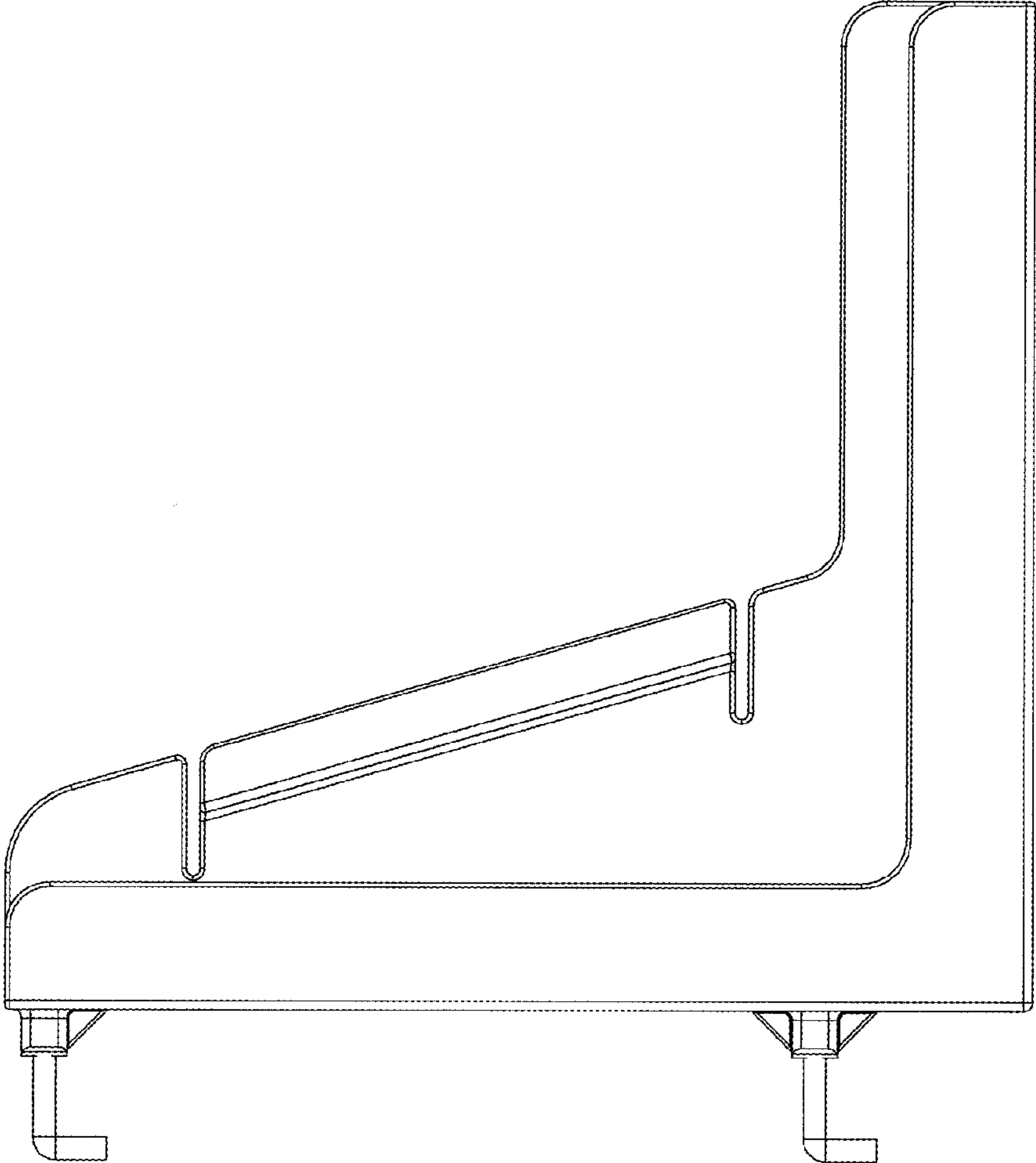


Figure 2

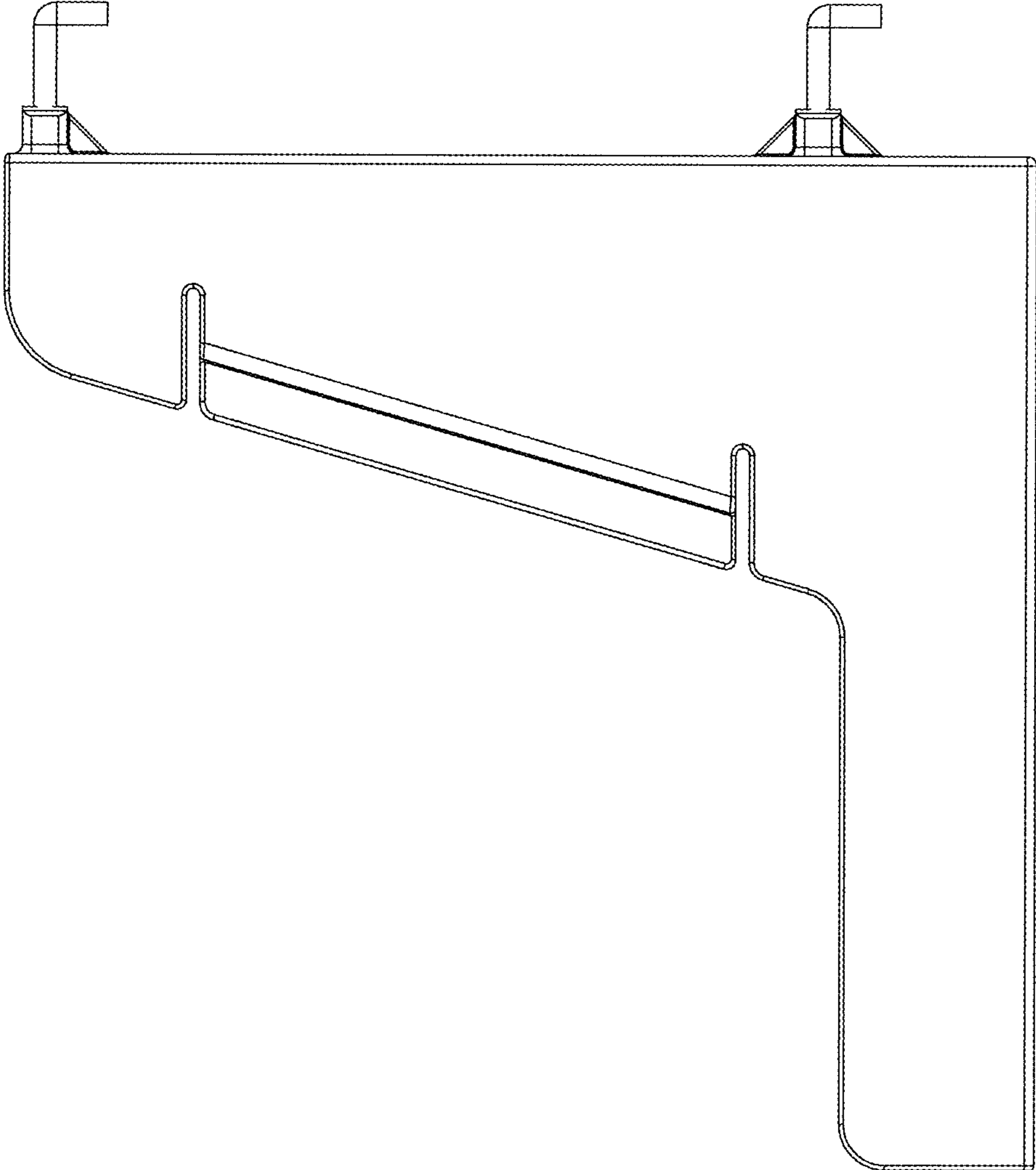


Figure 3



Figure 4

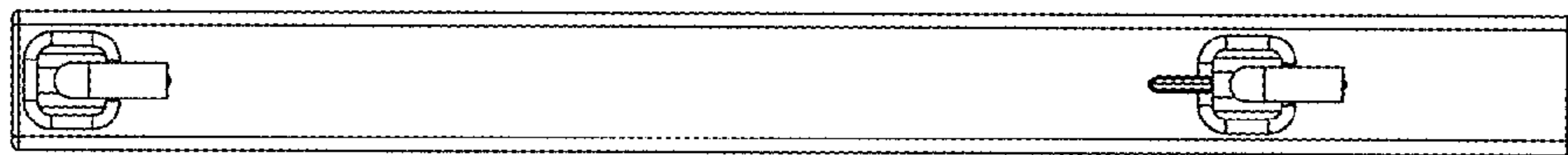


Figure 5

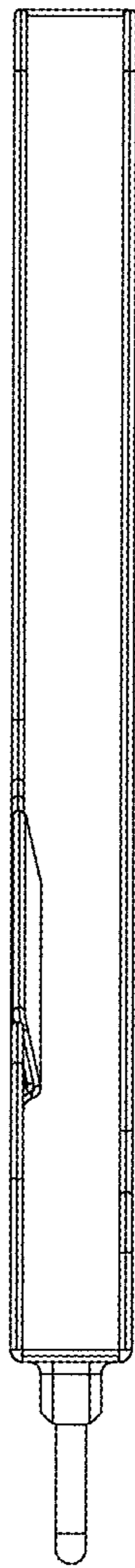


Figure 6



Figure 7