



US00D771747S

(12) **United States Design Patent**
Klosky

(10) **Patent No.:** **US D771,747 S**
(45) **Date of Patent:** **** Nov. 15, 2016**

- (54) **FOLDER**
- (71) Applicant: **Ideastream Consumer Products, LLC**,
Cleveland, OH (US)
- (72) Inventor: **Eric Fitzgerald Klosky**, Chagrin Falls,
OH (US)
- (73) Assignee: **IdeaStream Consumer Products LLC**,
Cleveland, OH (US)
- (**) Term: **14 Years**
- (21) Appl. No.: **29/510,697**
- (22) Filed: **Dec. 2, 2014**

- 2,329,201 A * 9/1943 Jonas B42F 17/00
312/184
- 2,330,402 A * 9/1943 Maurice B42F 7/06
229/67.3
- 2,460,909 A * 2/1949 Shaffer B42F 7/00
229/117.05
- 2,633,848 A * 4/1953 Voss B42F 7/06
229/67.1
- 2,664,089 A * 12/1953 Meltzer B42F 21/08
40/341
- 2,800,907 A * 7/1957 Jonas B42F 15/0094
211/162
- 2,852,028 A * 9/1958 Patterson B42F 15/0094
16/96 R
- 2,874,699 A * 2/1959 Dunleavy B42F 15/0035
211/126.13
- D201,935 S * 8/1965 Kelley D19/86

(Continued)

Related U.S. Application Data

- (60) Division of application No. 29/462,107, filed on Jul.
31, 2013, now Pat. No. Des. 719,214, which is a
continuation of application No. 29/388,222, filed on
Mar. 25, 2011, now Pat. No. Des. 689,548.

(51) **LOC (10) Cl.** **19-02**

(52) **U.S. Cl.**
USPC **D19/90**

(58) **Field of Classification Search**
USPC D19/26-33, 86, 90, 91
CPC B42F 7/00; B42F 7/02; B42F 7/06;
B42F 7/08; B42F 15/0035; B42F 15/0052;
B42F 15/0064; B42F 21/02; B42P 2241/06
See application file for complete search history.

(56) **References Cited**

U.S. PATENT DOCUMENTS

- 2,257,052 A * 9/1941 Hanna B42F 15/0035
211/46
- 2,289,577 A * 7/1942 Jonas B42F 21/065
211/126.13
- 2,291,675 A * 8/1942 Arelt B42F 21/065
108/60
- 2,312,717 A * 3/1943 Jonas B42F 15/023
211/126.13
- 2,318,077 A * 5/1943 Jonas B42F 15/0035
211/46

Primary Examiner — Elizabeth Albert

(74) *Attorney, Agent, or Firm* — Calfee, Halter &
Griswold LLP

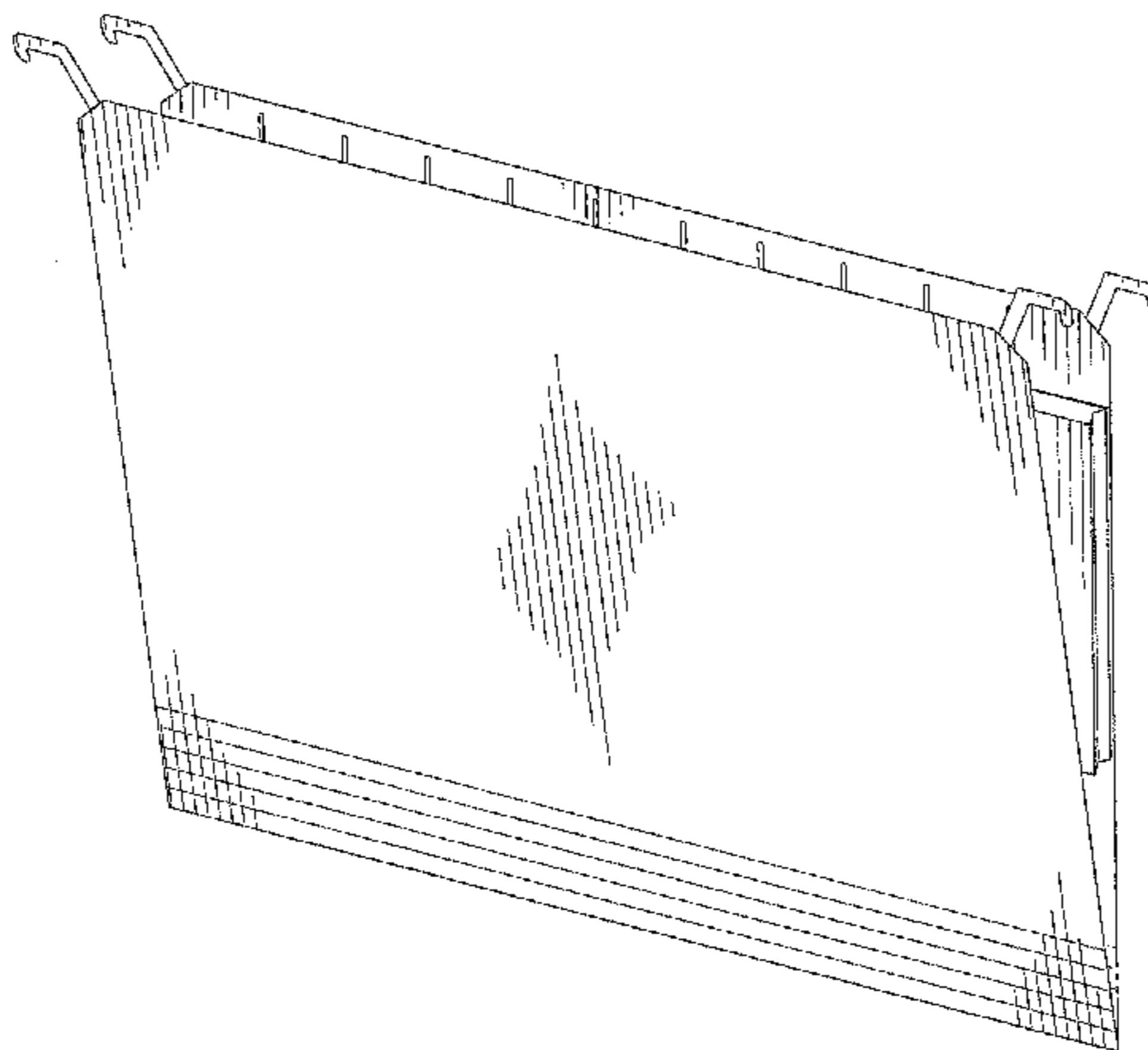
(57) **CLAIM**

I claim the ornamental design for a folder, as shown and
described.

DESCRIPTION

FIG. 1 is a front/right/top perspective view of a first embodi-
ment of the folder for which a front/left/top perspective view
would be a mirror image thereof;
FIG. 2 is a front elevational view for which a rear elevational
view thereof would be identical;
FIG. 3 is a top plan view thereof;
FIG. 4 is a bottom plan view thereof;
FIG. 5 is a right side elevational view thereof;
FIG. 6 is a left side elevational view thereof; and
FIG. 7 is a front elevational view thereof.
FIG. 8 is a front/right/top perspective view of a second
embodiment of the folder for which a front/left/top perspec-
tive view would be a mirror image thereof;
FIG. 9 is a front elevational view for which a rear elevational
view thereof would be identical;
FIG. 10 is a top plan view thereof;
FIG. 11 is a bottom plan view thereof;
FIG. 12 is a right side elevational view thereof;
FIG. 13 is a left side elevational view thereof; and,
FIG. 14 is a front elevational view thereof.

1 Claim, 8 Drawing Sheets



US D771,747 S

(56)

References Cited

U.S. PATENT DOCUMENTS

3,216,581	A *	11/1965	Church	B41L 29/00 211/45	5,515,980	A *	5/1996	Fotioo	B42F 15/0094 211/189
3,249,111	A *	5/1966	Vincens	A47B 63/00 211/162	5,570,833	A *	11/1996	Dusek	B42F 15/04 229/67.2
3,288,144	A *	11/1966	Hyams	B42F 15/023 211/46	5,692,673	A *	12/1997	De Safey	B42F 15/023 229/67.2
3,667,854	A *	6/1972	Jonas	B42F 15/0064 229/67.2	5,707,001	A *	1/1998	Mark	B42F 15/0035 229/67.2
3,860,119	A *	1/1975	Irvine	B42F 15/0094 211/175	5,720,427	A *	2/1998	Kachel	B42F 7/08 229/67.3
4,031,646	A *	6/1977	de Nouel	B42F 15/023 40/359	5,721,531	A *	2/1998	Garver	B42F 15/0094 235/385
4,053,057	A *	10/1977	Snowden	B42F 21/06 211/126.13	5,779,331	A *	7/1998	Fox	B42F 17/12 211/55
4,091,933	A *	5/1978	Alexander	B42F 15/0094 211/204	5,788,073	A *	8/1998	Suryk	B42D 15/0053 206/425
4,114,963	A *	9/1978	Menahem	B42F 15/0035 229/67.2	5,833,271	A *	11/1998	Foster	B42C 7/001 281/31
4,186,504	A *	2/1980	Avery	B42F 15/0035 40/359	D405,832	S *	2/1999	Bolden	D19/75
4,238,273	A *	12/1980	Mommel, Jr.	B42C 7/001 156/475	5,873,642	A *	2/1999	Domenig	B42F 15/0094 16/93 R
4,255,888	A *	3/1981	Bastogne	B42F 21/08 40/359	D407,441	S *	3/1999	Greenberg	D19/27
4,262,810	A *	4/1981	Ilich	B42F 15/0094 211/206	5,941,450	A *	8/1999	De Safey	B42F 15/0035 229/67.2
4,294,028	A *	10/1981	Reymond	B42F 15/02 312/184	5,971,166	A *	10/1999	Ong	B42F 15/04 211/184
4,400,107	A *	8/1983	Pitts	B42F 15/0058 229/67.2	5,993,099	A *	11/1999	Greenberg	B42F 15/0064 211/42
4,526,277	A *	7/1985	Snowden	B42F 15/0094 211/46	D419,358	S *	1/2000	Marcon	D6/407
D282,758	S *	2/1986	Hirsch	402/4	6,039,473	A *	3/2000	Bond	B42F 15/04 190/120
4,575,273	A *	3/1986	Gerriet	B42F 13/12 402/29	6,063,226	A *	5/2000	Foster	B42C 7/001 156/250
4,722,626	A *	2/1988	Abildgaard	B42F 13/02 312/184	D434,075	S *	11/2000	Henrikson	D19/86
D298,265	S *	10/1988	Snider	D19/90	D438,904	S *	3/2001	Reynolds	D19/75
4,830,268	A *	5/1989	Pitts	B42F 15/04 229/67.1	6,508,376	B1 *	1/2003	Chiang	B42F 15/0094 211/46
4,867,319	A *	9/1989	Arner	B42F 15/0094 211/46	6,619,773	B2 *	9/2003	Amsterdam	B42F 15/007 229/67.2
5,025,979	A *	6/1991	Dellacroce	B42F 15/0035 229/67.2	6,883,460	B2 *	4/2005	Weisenfeld	B42F 21/065 116/234
D318,488	S *	7/1991	Truc	D19/33	6,976,449	B2 *	12/2005	Weisenfeld	B42F 21/065 116/234
5,052,646	A *	10/1991	Hawes, Jr.	B42F 15/0035 248/214	7,025,382	B2 *	4/2006	Wiggins	B42F 21/065 229/67.1
5,066,045	A *	11/1991	Hawes, Jr.	B42F 15/04 211/126.13	7,059,483	B2 *	6/2006	Scudder	B42F 15/0035 211/183
D322,284	S *	12/1991	Whaley	D19/26	7,383,652	B2 *	6/2008	Glasberg	B42F 21/08 40/359
D337,784	S *	7/1993	Wyant	D19/26	D622,320	S *	8/2010	DeCarlo	D19/90
5,226,734	A *	7/1993	Scott	B42F 21/065 229/67.2	7,841,114	B2 *	11/2010	McCarthy	B42F 21/065 40/359
5,248,290	A *	9/1993	Hawes, Jr.	B42F 15/0035 493/379	7,921,998	B2 *	4/2011	Schenker	B42F 15/00 206/425
5,255,798	A *	10/1993	Aaldenberg	A47B 45/00 211/46	7,954,694	B2 *	6/2011	DeCarlo	B42F 7/00 229/67.2
5,256,130	A *	10/1993	Kachel	B42F 15/0035 493/210	8,550,330	B2 *	10/2013	Black	B42F 7/02 229/67.2
5,261,636	A *	11/1993	Hawes, Jr.	B42F 15/0035 229/67.2	8,567,659	B2 *	10/2013	Chung	B42F 7/00 229/67.1
5,275,439	A *	1/1994	Hawes, Jr.	B42F 15/0035 229/67.2	8,650,784	B2 *	2/2014	Halfen	B42F 15/0035 229/67.2
5,287,414	A *	2/1994	Foster	G06K 7/10079 235/383	D705,351	S *	5/2014	DeCarlo	D19/26
5,328,259	A *	7/1994	Meriaux	B42F 15/0035 206/425	D733,798	S *	7/2015	Russell	D19/26
5,342,467	A *	8/1994	Corey	B31F 5/04 156/227	9,156,303	B2 *	10/2015	DeCarlo	B42F 21/025
5,358,126	A *	10/1994	Jones	B42F 15/0094 211/189	2006/0059755	A1 *	3/2006	Valade	G09F 23/10 40/641
5,487,617	A *	1/1996	Cole	B42F 15/00 206/806	2007/0251897	A1 *	11/2007	Chang	B42F 15/0094 211/46
5,492,585	A *	2/1996	Corey	B31F 5/04 156/227	2008/0030016	A1 *	2/2008	Black	B42F 7/02 281/45
					2008/0218044	A1 *	9/2008	Unda	B42F 15/0035 312/321
					2009/0045246	A1 *	2/2009	Dodson	B42F 15/0035 229/67.2
					2009/0101605	A1 *	4/2009	Goodfellow	B42F 15/0064 211/46

US D771,747 S

Page 3

(56)

References Cited

U.S. PATENT DOCUMENTS

2009/0101696 A1*	4/2009	Ong	B42F 7/04 229/67.1
2010/0038895 A1*	2/2010	Grassia	B42F 7/00 281/45
2010/0045021 A1*	2/2010	Groch	B42F 15/0035 281/45
2011/0017810 A1*	1/2011	Dodson	B42F 15/0035 229/67.2
2014/0151441 A1*	6/2014	Black	B42F 7/02 229/67.1
2014/0252074 A1*	9/2014	Christensen	B42F 7/06 229/67.1
2016/0023497 A1*	1/2016	Black	B42F 7/02 229/67.1

* cited by examiner

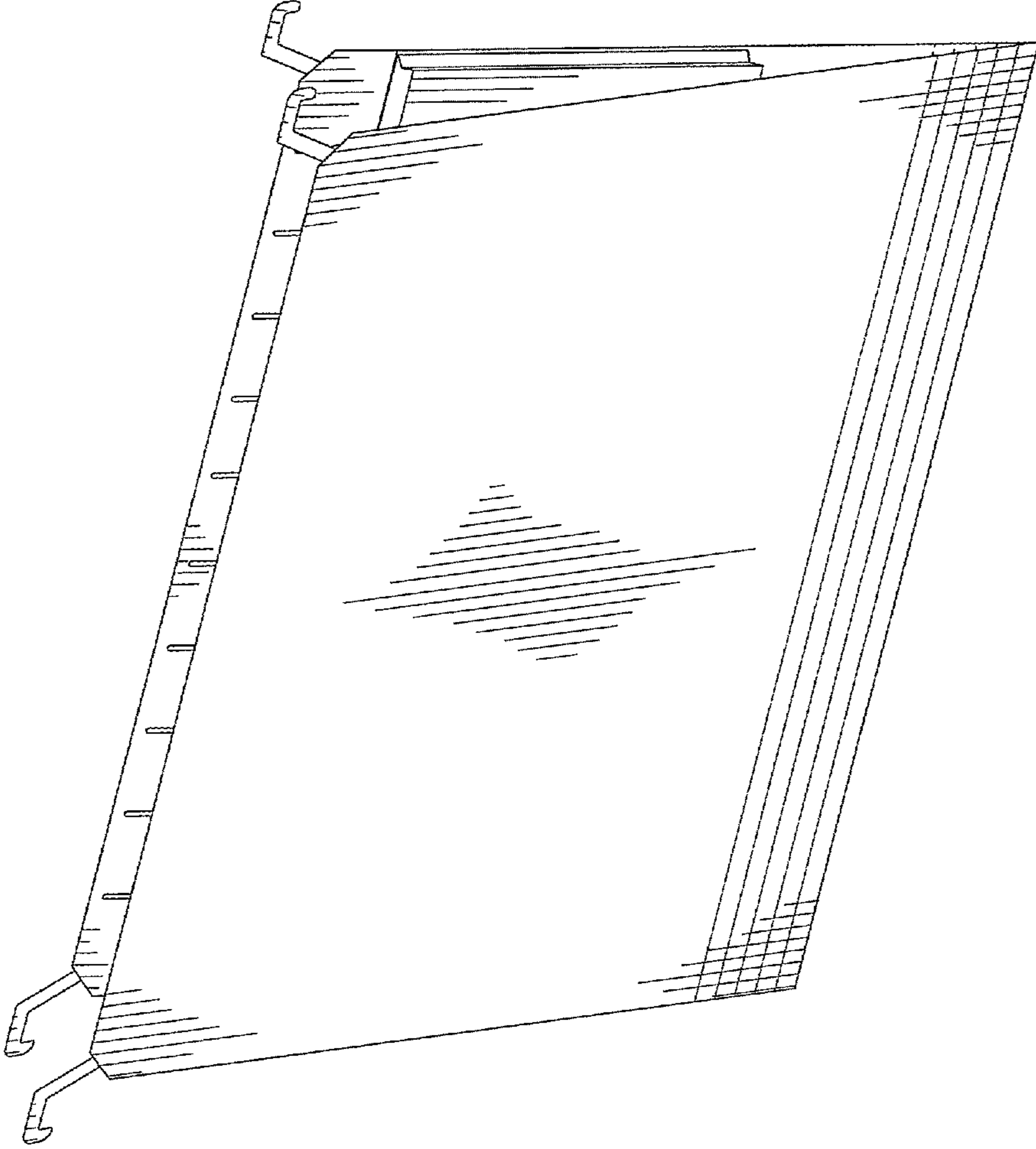


FIG. 1

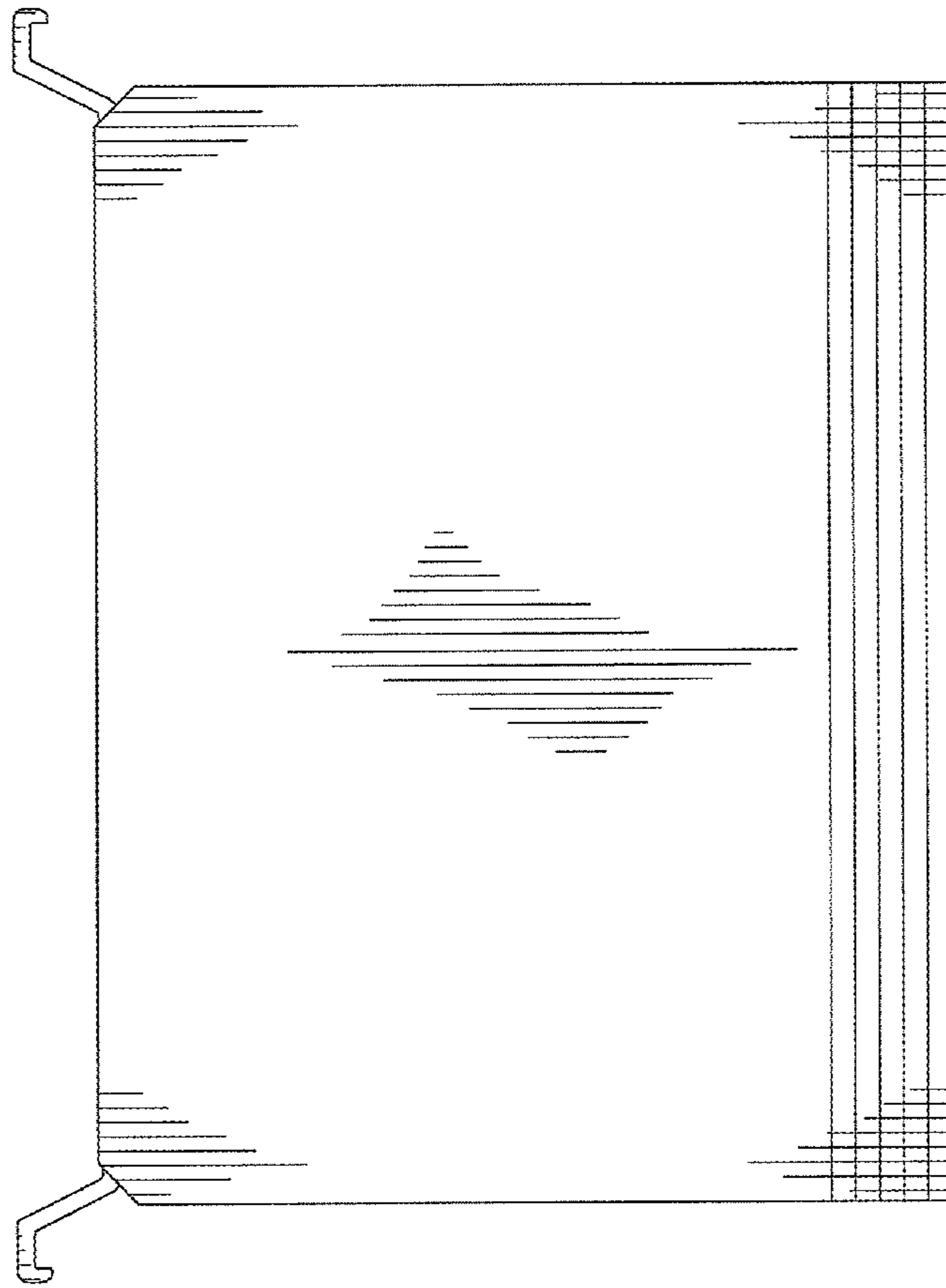


FIG. 2



FIG. 3



FIG. 4



FIG. 5



FIG. 6

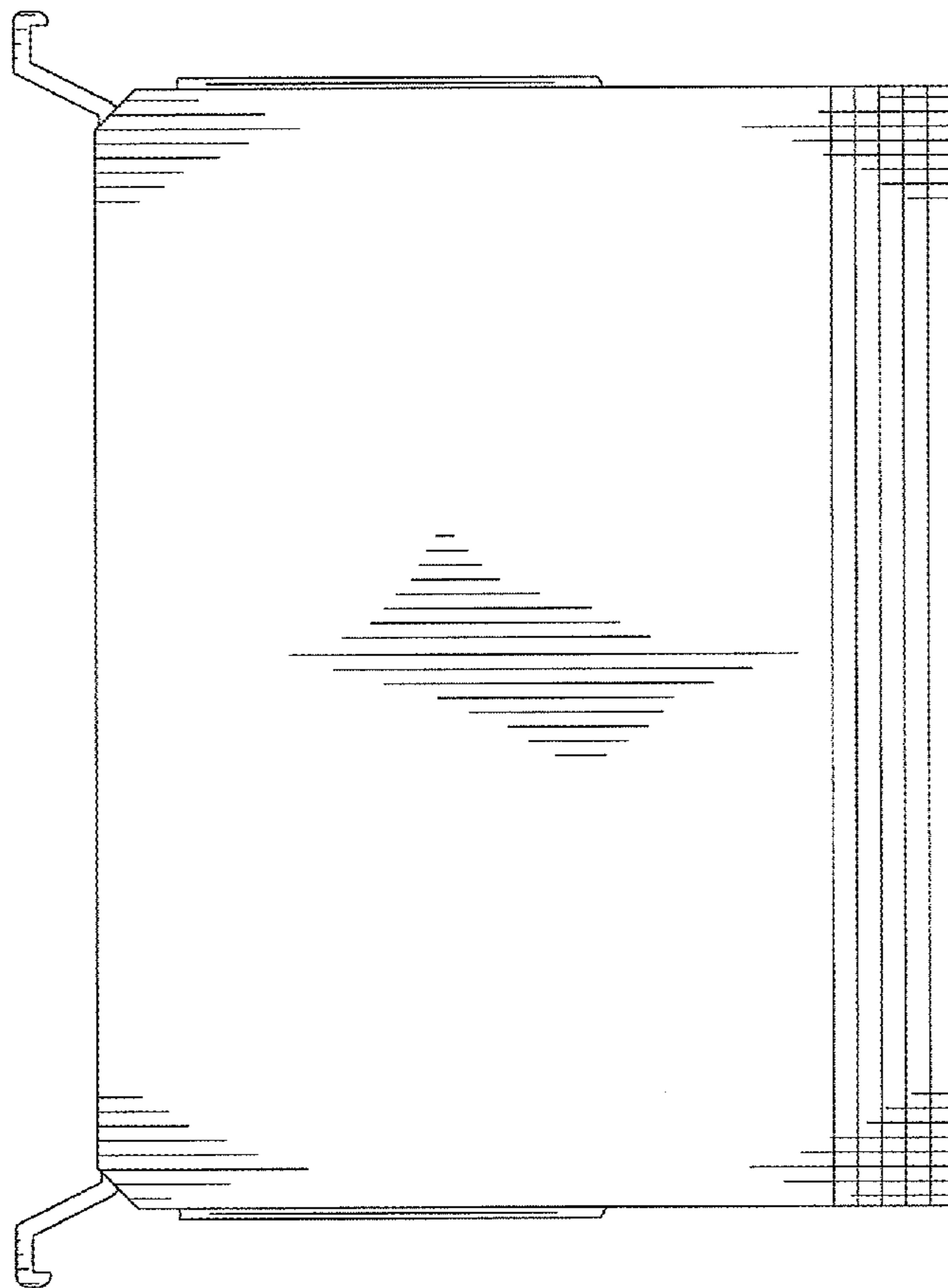


FIG. 7

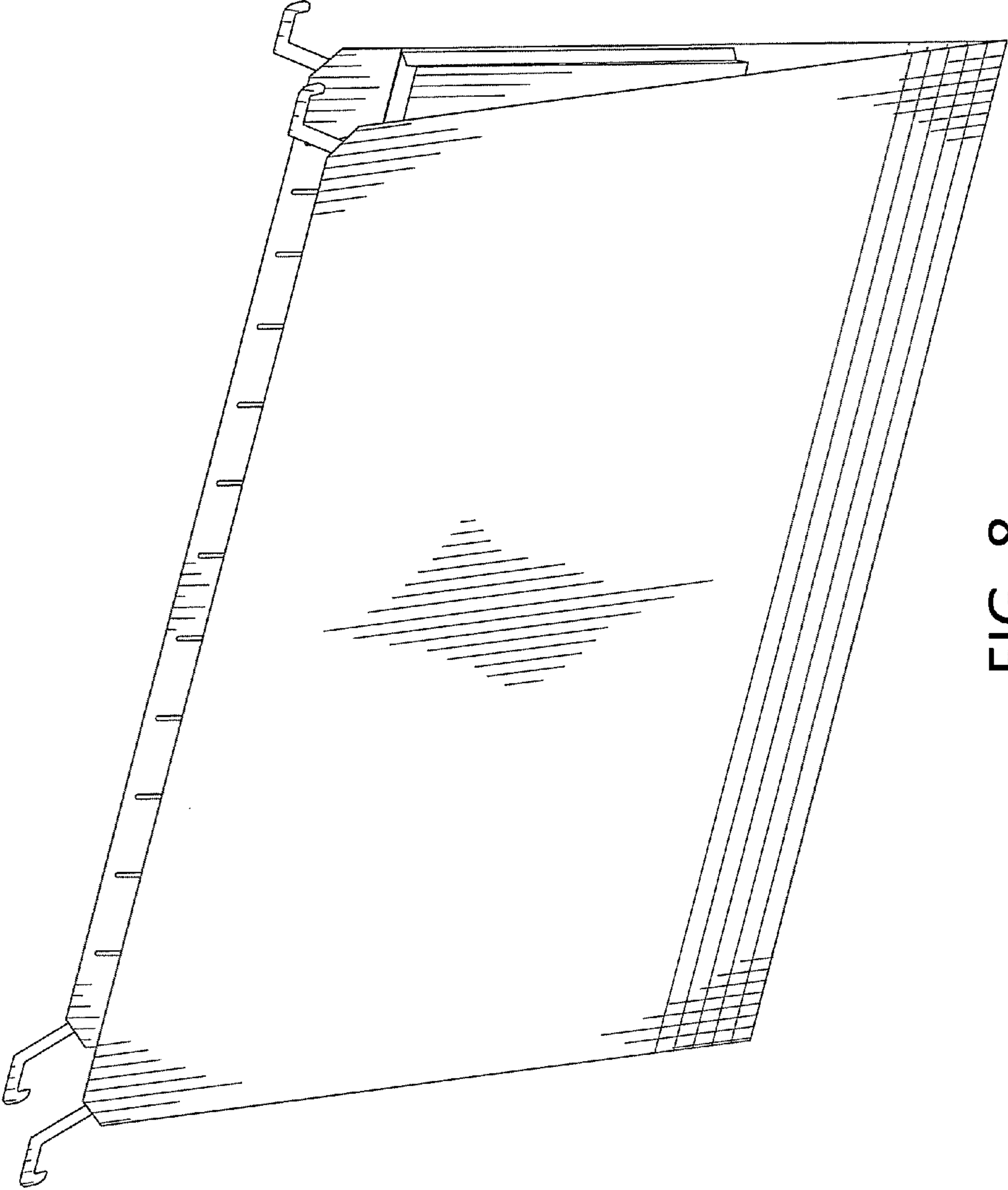


FIG. 8

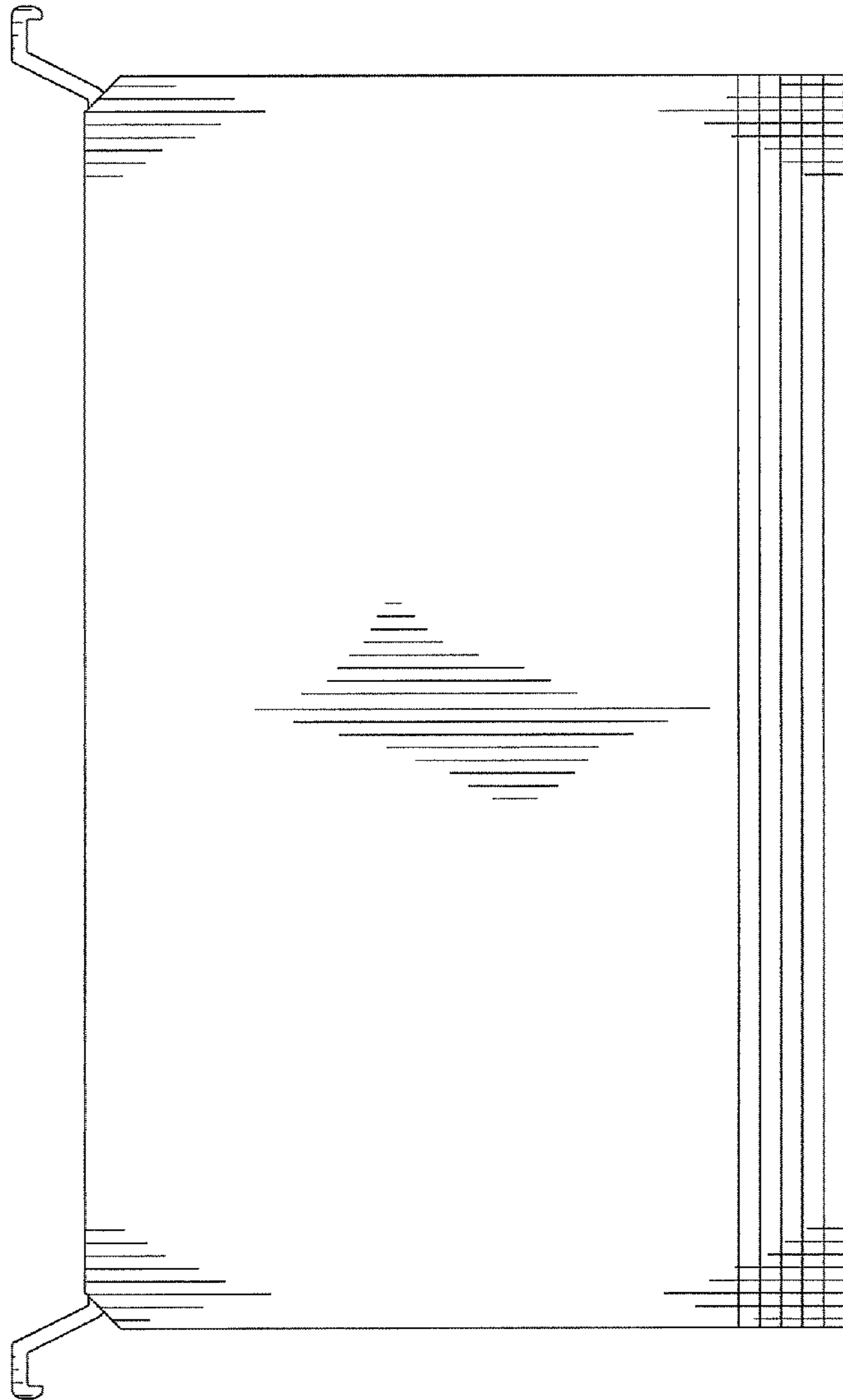


FIG. 9



FIG. 10

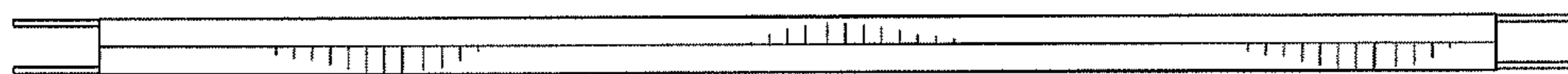


FIG. 11

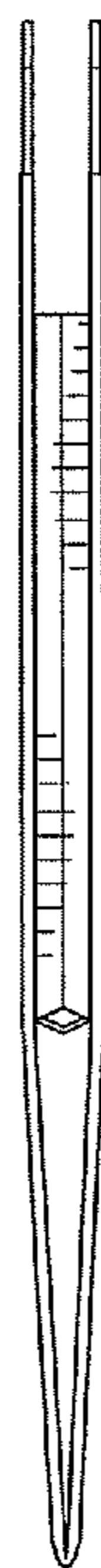


FIG. 12

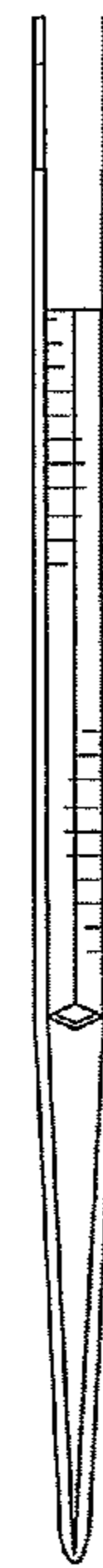


FIG. 13

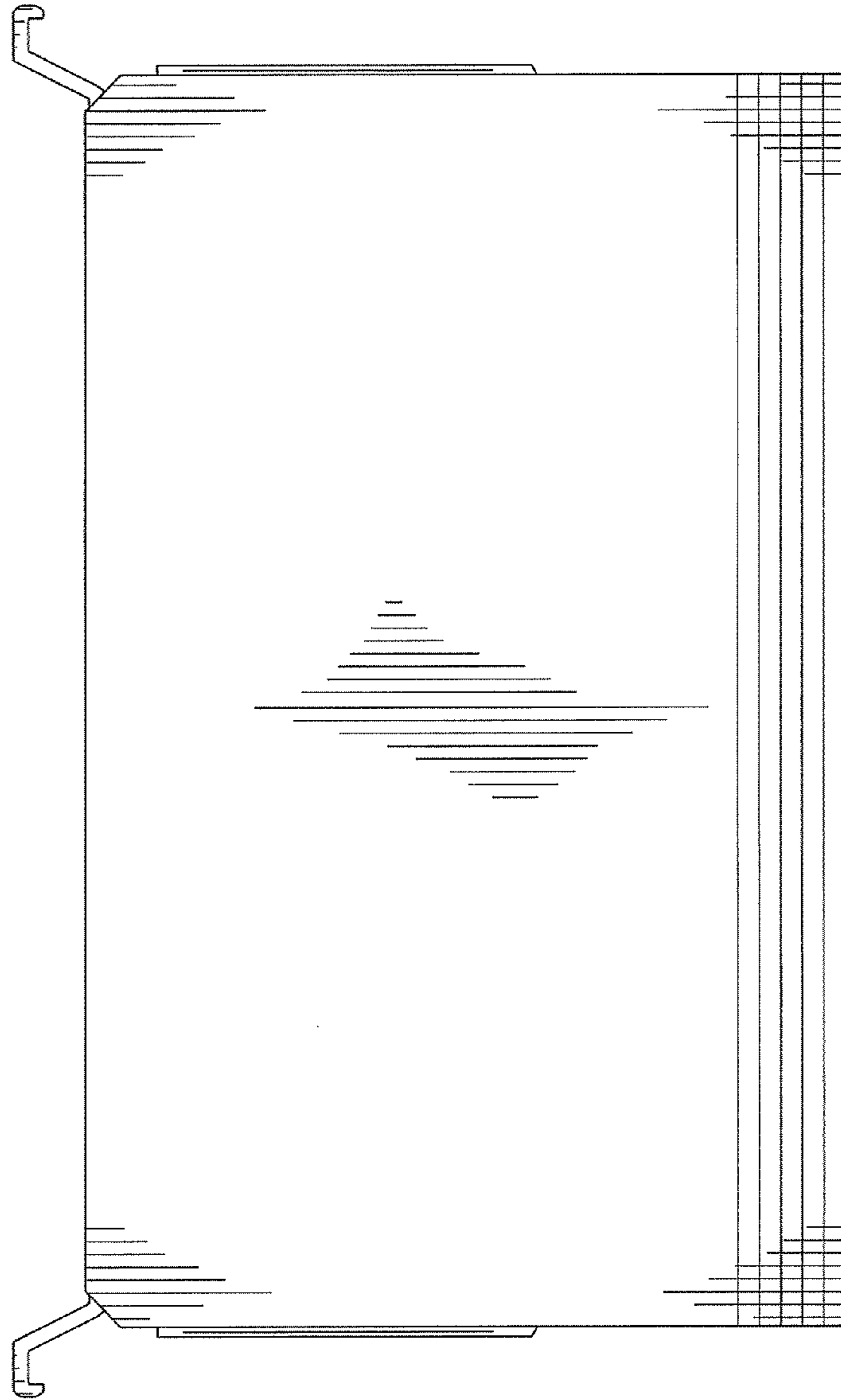


FIG. 14