



US00D771745S

(12) **United States Design Patent**
Glass et al.

(10) **Patent No.:** **US D771,745 S**

(45) **Date of Patent:** **** Nov. 15, 2016**

(54) **STORED VALUE CARD ENVELOPE**

(74) *Attorney, Agent, or Firm* — Polsinelli PC

(71) Applicant: **Gift Card Impressions, LLC**, Kansas City, MO (US)

(57) **CLAIM**

The ornamental design for a stored value card envelope, as shown and described.

(72) Inventors: **Brett R. Glass**, Kansas City, MO (US);
Nicole E. Glass, Kansas City, MO (US)

(73) Assignee: **Gift Card Impressions, LLC**, Kansas City, MO (US)

DESCRIPTION

(**) Term: **14 Years**

(21) Appl. No.: **29/525,754**

(22) Filed: **May 1, 2015**

FIG. 1 is a perspective view of the stored value card envelope of the present invention shown in the open position to reveal a stored value card configured for placement inside the stored value card envelope;

FIG. 2 is another perspective view of the stored value card envelope shown with top and bottom flaps in closed position around the stored value card;

FIG. 3 is another perspective view of the stored value card envelope shown with the top, bottom, and left flaps in a closed position around the stored value card;

FIG. 4 is another perspective view of the stored value card envelope shown with the top, bottom, left, and right flaps in a closed position around the stored value card;

FIG. 5 is a front view of the stored value card envelope shown with the top, bottom, left, and right flaps in a closed position around the stored value card;

FIG. 6 is a rear view of the stored value card envelope shown with the top, bottom, left, and right flaps in a closed position around the stored value card;

FIG. 7 is a left side view of the stored value card envelope shown with the top, bottom, left, and right flaps in a closed position around the stored value card;

FIG. 8 is a right side view of the stored value card envelope shown with the top, bottom, left, and right flaps in a closed position around the stored value card;

FIG. 9 is a top view of the stored value card envelope shown with the top, bottom, left, and right flaps in a closed position around the stored value card; and,

FIG. 10 is a bottom view of the stored value card envelope shown with the top, bottom, left, and right flaps in a closed position around the stored value card.

The dashed lines showing in FIGS. 1-5 are included for the purpose of illustrating portions of the stored value card envelope that form no part of the claimed design.

Related U.S. Application Data

(62) Division of application No. 29/480,015, filed on Jan. 22, 2014, now Pat. No. Des. 729,313.

(51) **LOC (10) Cl.** **19-01**

(52) **U.S. Cl.**
USPC **D19/3**

(58) **Field of Classification Search**

USPC D19/1-8, 75, 86, 100; 229/67.4, 928, 229/307, 92; 206/449, 424, 308.1, 308.3, 206/309, 313; 462/64-65; D20/27, 22, 40; 40/672, 124.01-124.15; D3/303, 227, D3/20; 383/61.1, 84; 283/72, 74-75, 103, 283/105-106, 116-117; D9/433
CPC .. B42D 15/00; B42D 15/022; B42D 15/042; B42D 15/027; B42D 15/045; B42D 25/00; B42D 25/20; B42D 25/30; B42D 25/23; B42D 25/26; B42D 25/29

See application file for complete search history.

(56) **References Cited**

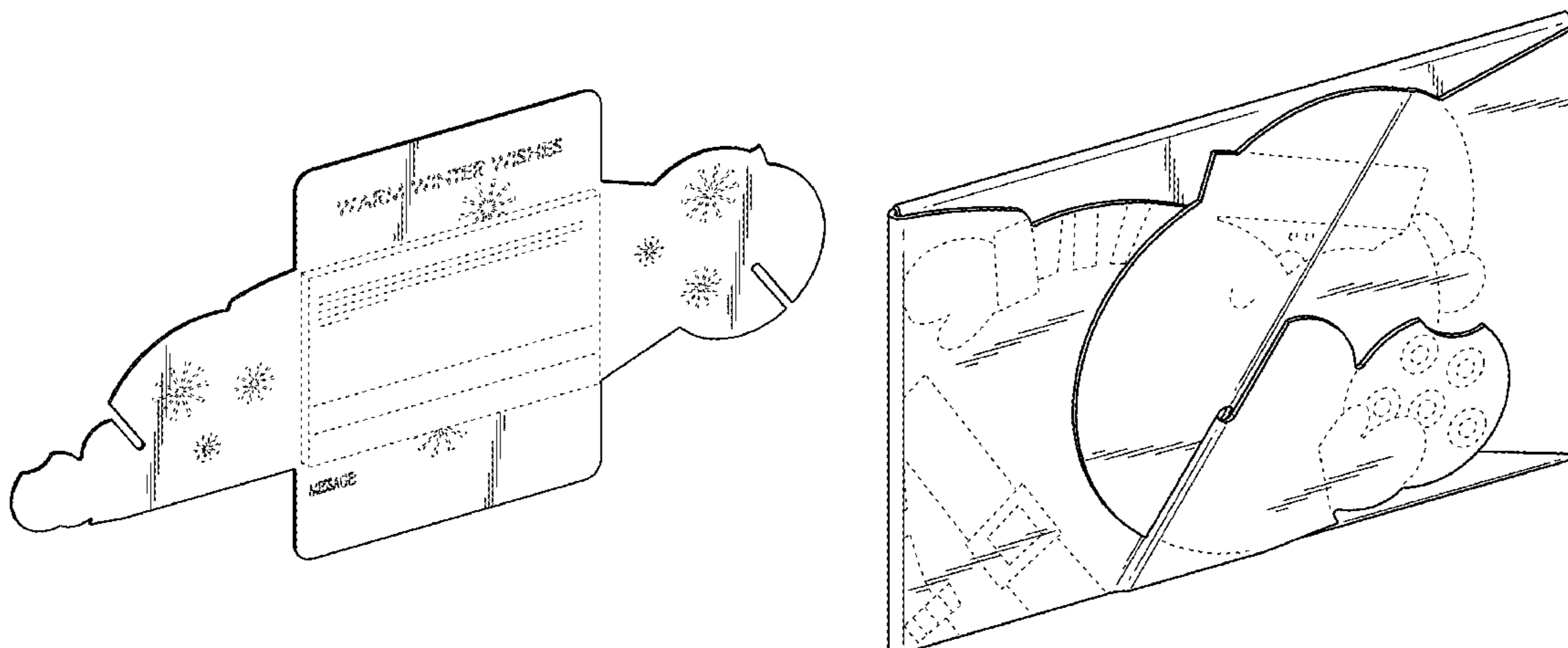
U.S. PATENT DOCUMENTS

D238,574 S * 1/1976 Watson D19/3
D285,454 S * 9/1986 Paulk D19/3

(Continued)

Primary Examiner — Abraham Bahta

1 Claim, 4 Drawing Sheets



US D771,745 S

Page 2

(56)

References Cited

U.S. PATENT DOCUMENTS

D404,759 S * 1/1999 Larragain D19/3
D421,457 S * 3/2000 Crofton D19/1
D548,781 S * 8/2007 Oberst D19/2
D570,909 S * 6/2008 Masters D19/3

D616,930 S * 6/2010 Engel D19/3
D661,349 S * 6/2012 Picard D19/3
D685,843 S * 7/2013 Glass D19/3
D728,683 S * 5/2015 Glass D19/3
D729,313 S * 5/2015 Glass D19/3

* cited by examiner

FIG. 1

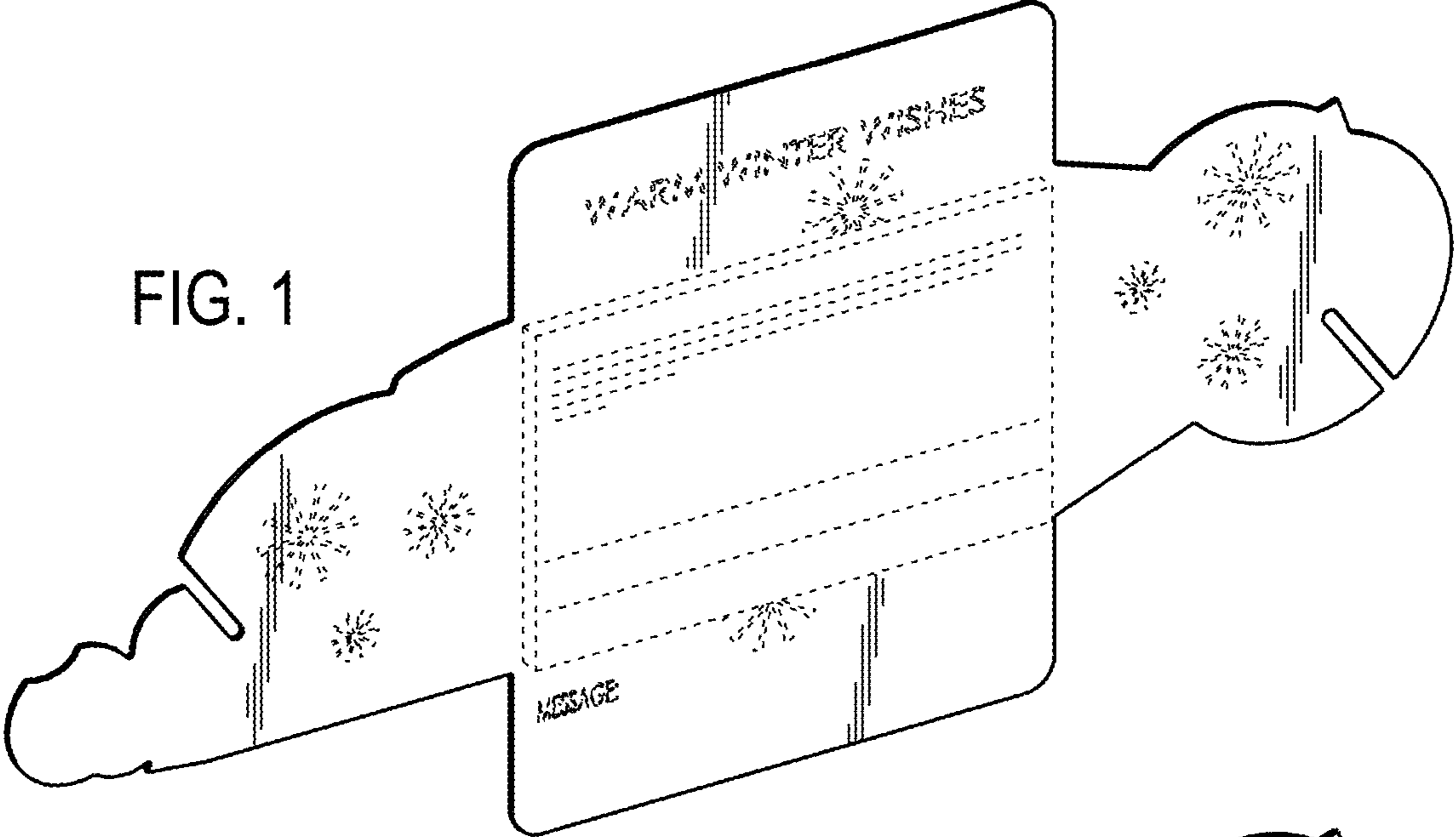


FIG. 2

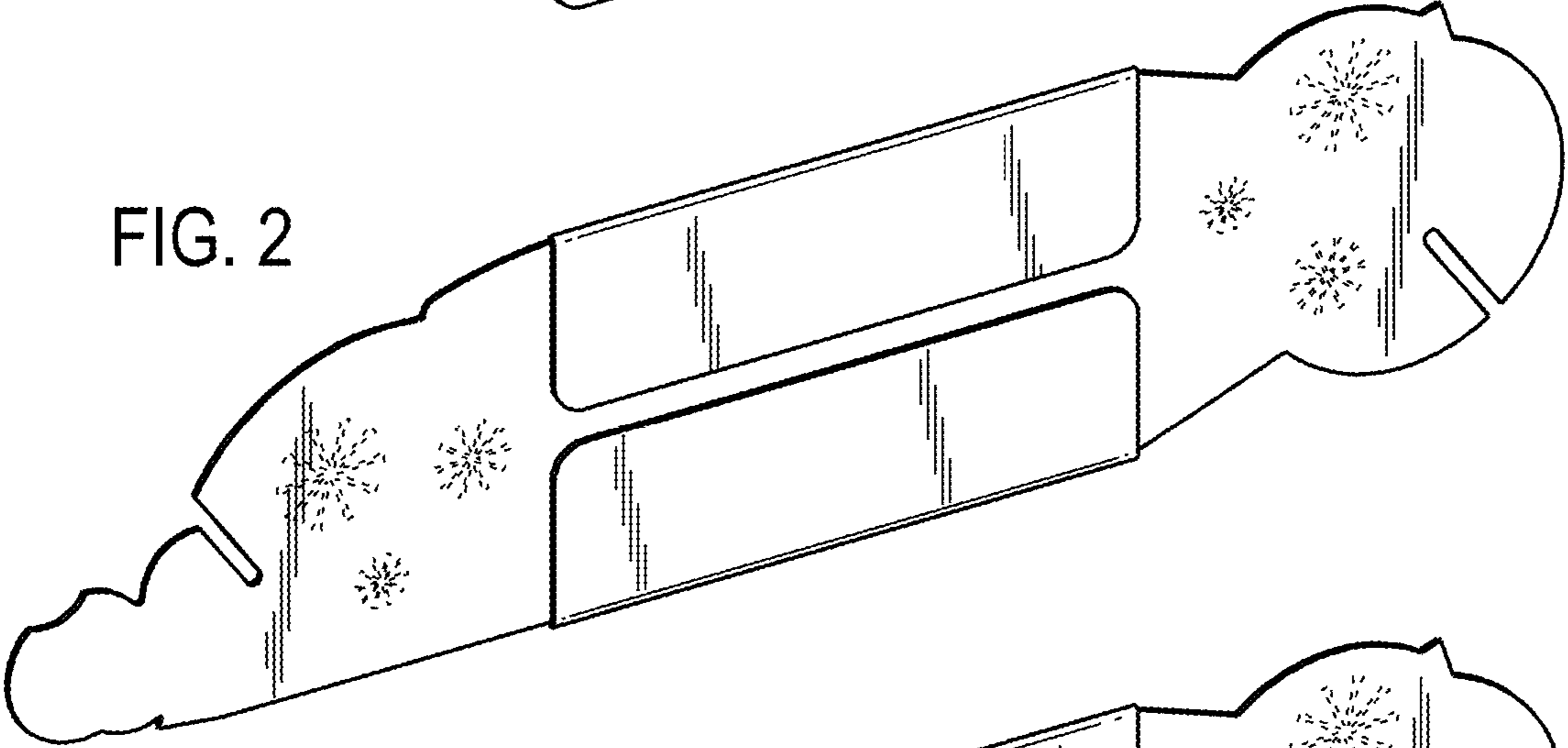
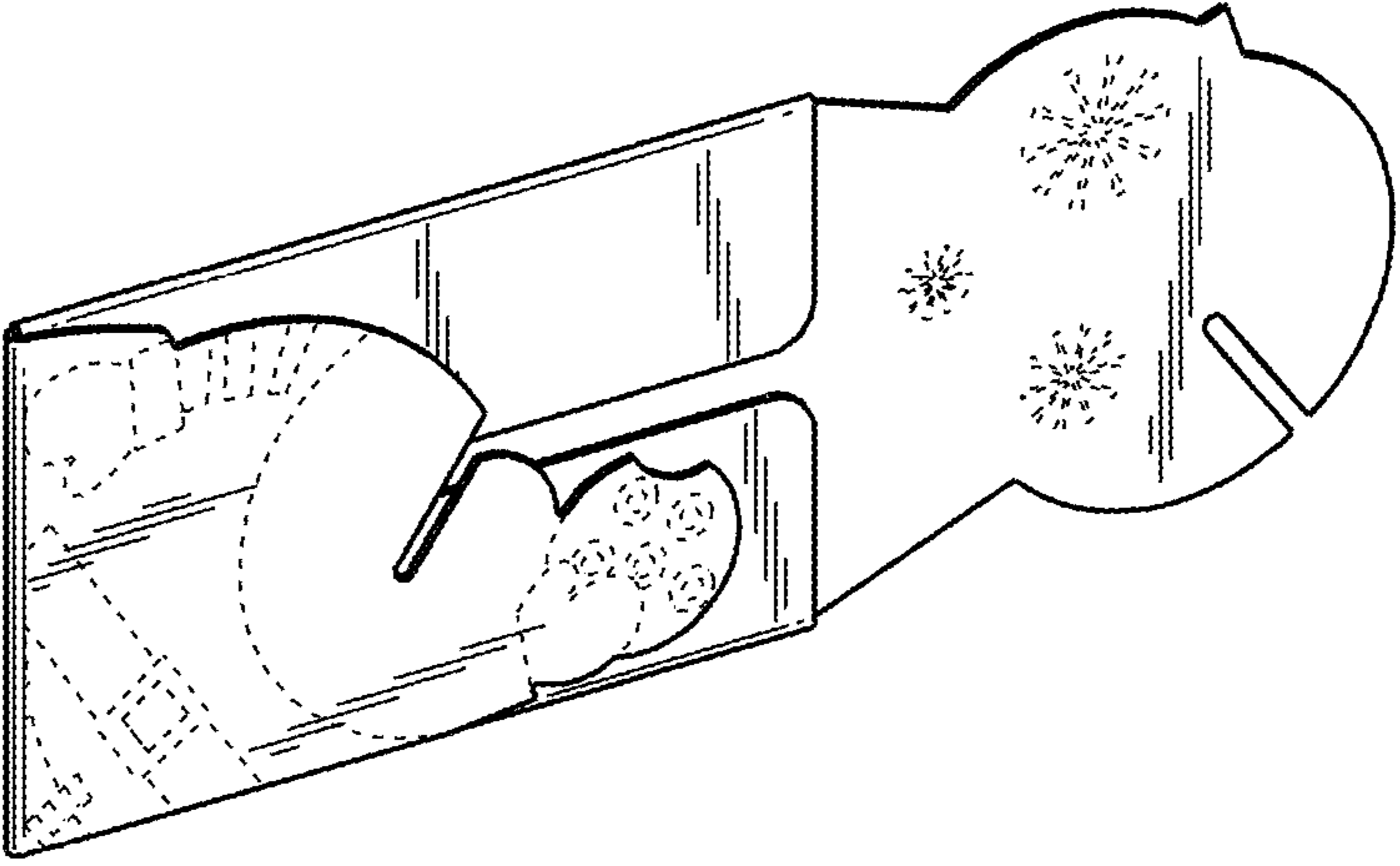


FIG. 3



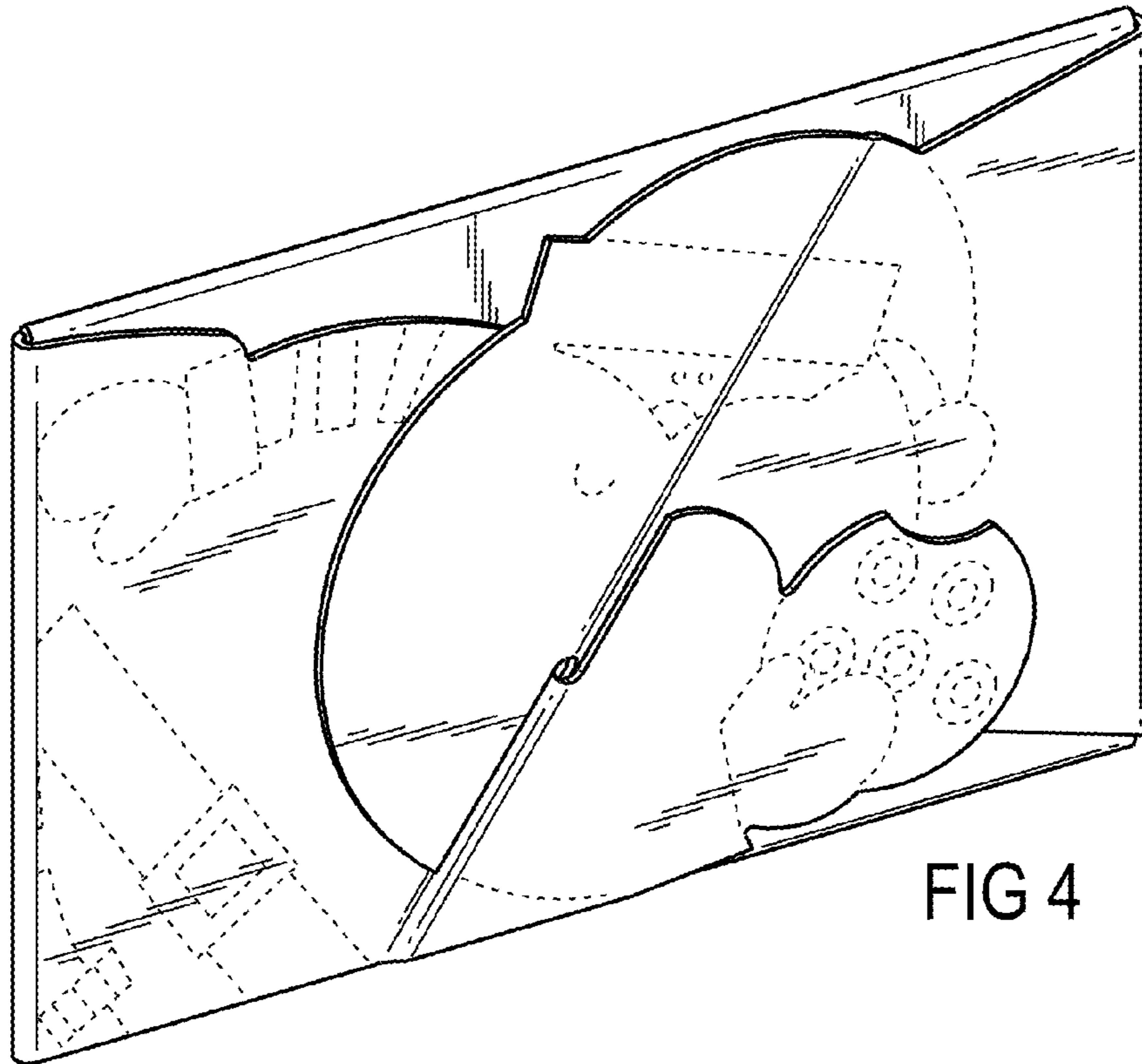


FIG 4

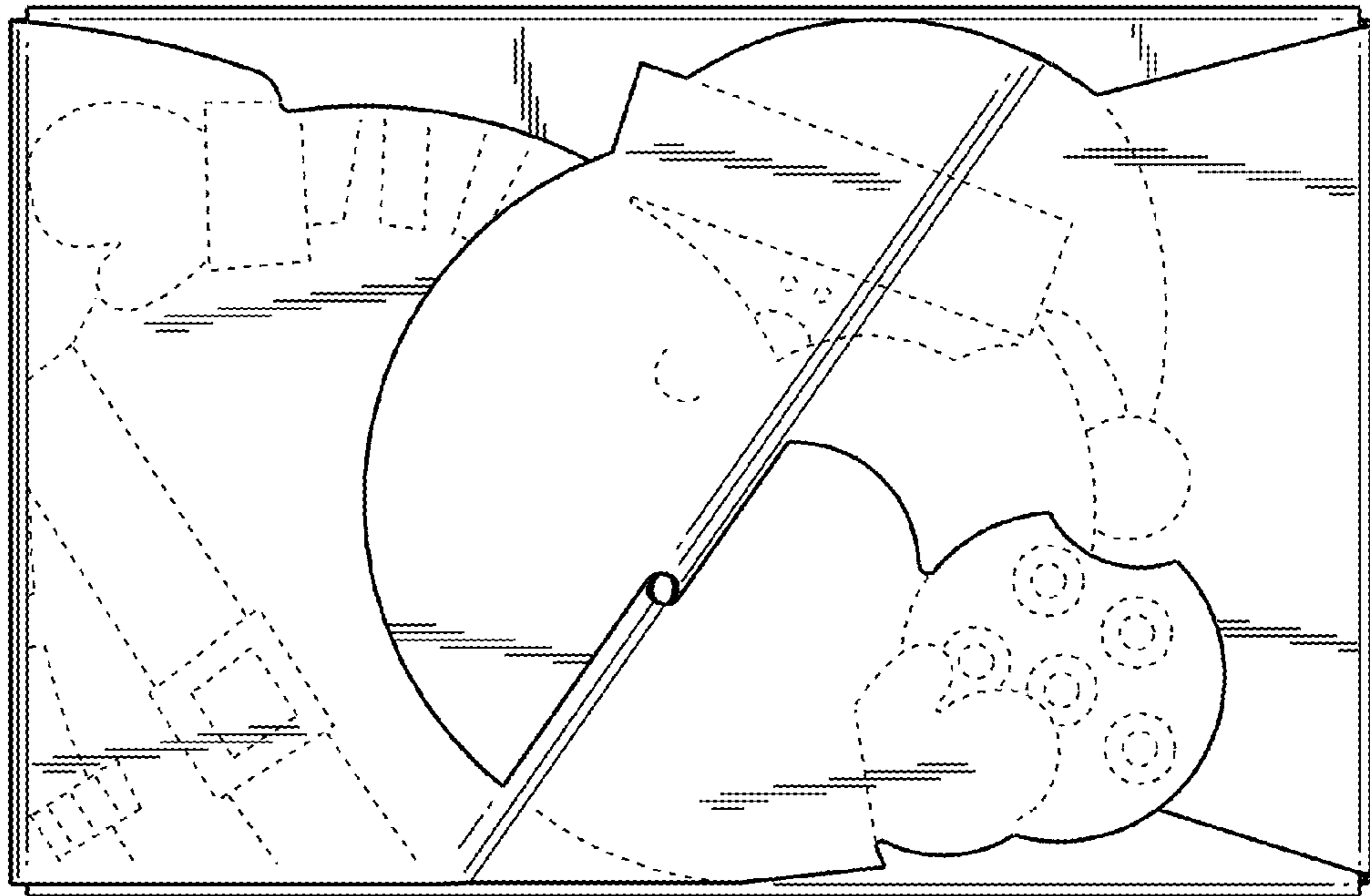


FIG. 5

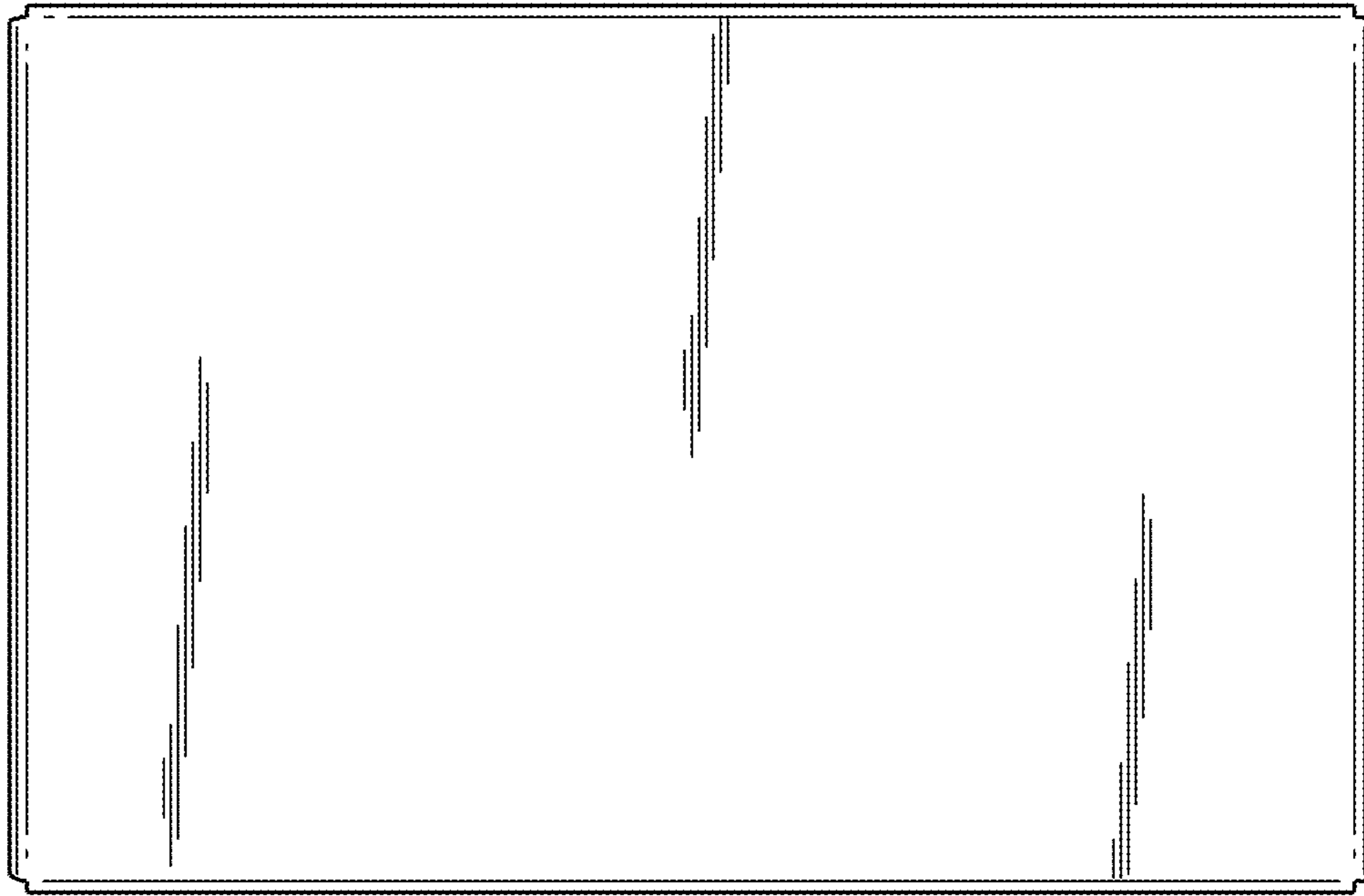


FIG. 6

FIG. 7



FIG. 8

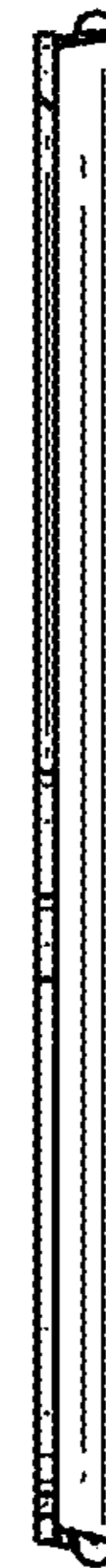




FIG. 9



FIG. 10