



US00D771744S

(12) **United States Design Patent**  
**Lyon et al.**

(10) **Patent No.:** **US D771,744 S**

(45) **Date of Patent:** **\*\* Nov. 15, 2016**

(54) **PROMOTIONAL OR GREETING CARD WITH COUNTDOWN TIMER**

(71) Applicants: **Kent David Lyon**, Houston, TX (US);  
**Jym Daniel**, Austin, TX (US)

(72) Inventors: **Kent David Lyon**, Houston, TX (US);  
**Jym Daniel**, Austin, TX (US)

(\*\*) Term: **15 Years**

(21) Appl. No.: **29/532,017**

(22) Filed: **Jul. 1, 2015**

(51) **LOC (10) Cl.** ..... **19-01**

(52) **U.S. Cl.**  
USPC ..... **D19/2**

(58) **Field of Classification Search**

USPC ..... D19/1-12; 40/124.01-124.15, 661,  
40/726, 776, 1.5, 672, 617, 360, 625, 1,  
40/728, 446, 584; 283/70, 72, 105, 56,  
283/80-82, 61, 79, 97-98, 62, 117;  
D20/22, 27, 40, 20; 281/2, 10, 12;  
428/42.1; 235/380, 435, 382, 436, 449,  
235/454, 462.1, 468-469; 229/92.8; D10/2,  
D10/40-41, 15  
CPC B42D 15/022; B42D 15/042; B42D 15/027;  
B42D 15/045; B42D 25/00; B42D 25/20;  
B42D 25/30; B42D 25/23; B42D 25/26;  
B42D 25/29

See application file for complete search history.

(56) **References Cited**

**U.S. PATENT DOCUMENTS**

D270,061 S \* 8/1983 Ackeret ..... 40/513  
D279,691 S \* 7/1985 Silver ..... D20/20

D304,960 S \* 12/1989 Denton ..... D20/20  
D627,823 S \* 11/2010 Ligouri ..... D19/113  
D632,734 S \* 2/2011 Qiao ..... D19/1  
D669,534 S \* 10/2012 Nakashima ..... D19/113  
8,312,651 B2 \* 11/2012 Mandelbaum ..... B42D 15/022  
40/124.03  
2005/0271354 A1 \* 12/2005 Yeh ..... H04N 5/2251  
386/219

\* cited by examiner

*Primary Examiner* — Abraham Bahta

(74) *Attorney, Agent, or Firm* — Karen B. Tripp

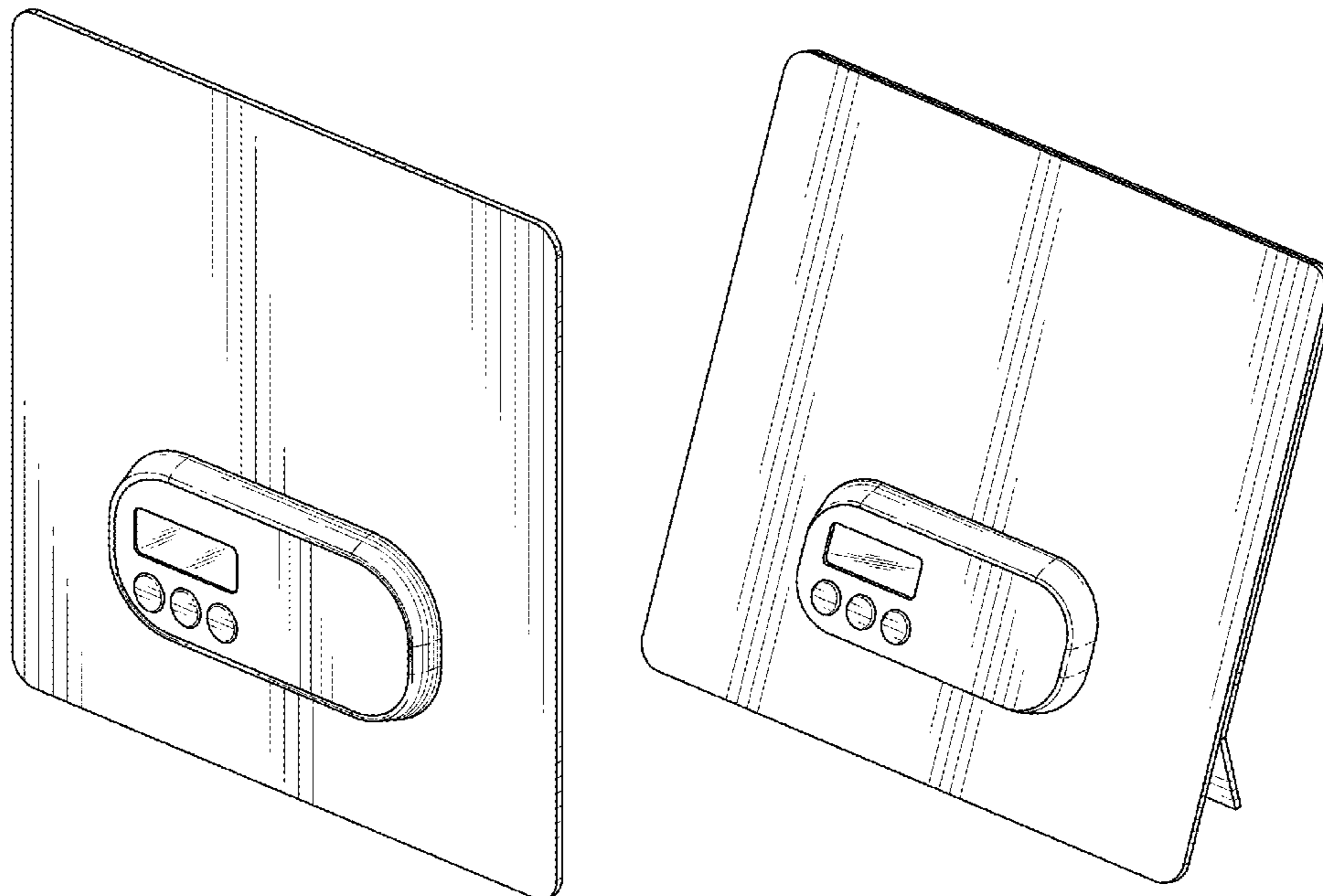
(57) **CLAIM**

The ornamental design for a promotional or greeting card with countdown timer, as shown and described.

**DESCRIPTION**

FIG. 1 is a perspective view of a first embodiment of the promotional or greeting card with countdown timer showing my new design;  
FIG. 2 is a front view thereof;  
FIG. 3 is a back view thereof;  
FIG. 4 is a side view thereof;  
FIG. 5 is another side view thereof;  
FIG. 6 is a top view thereof  
FIG. 7 is a bottom view thereof;  
FIG. 8 is a perspective view of a second embodiment of the promotional or greeting card with countdown timer;  
FIG. 9 is a front view thereof;  
FIG. 10 is a back view thereof  
FIG. 11 is side view thereof;  
FIG. 12 is another side view thereof;  
FIG. 13 is a top view thereof; and,  
FIG. 14 is a bottom view thereof.

**1 Claim, 6 Drawing Sheets**



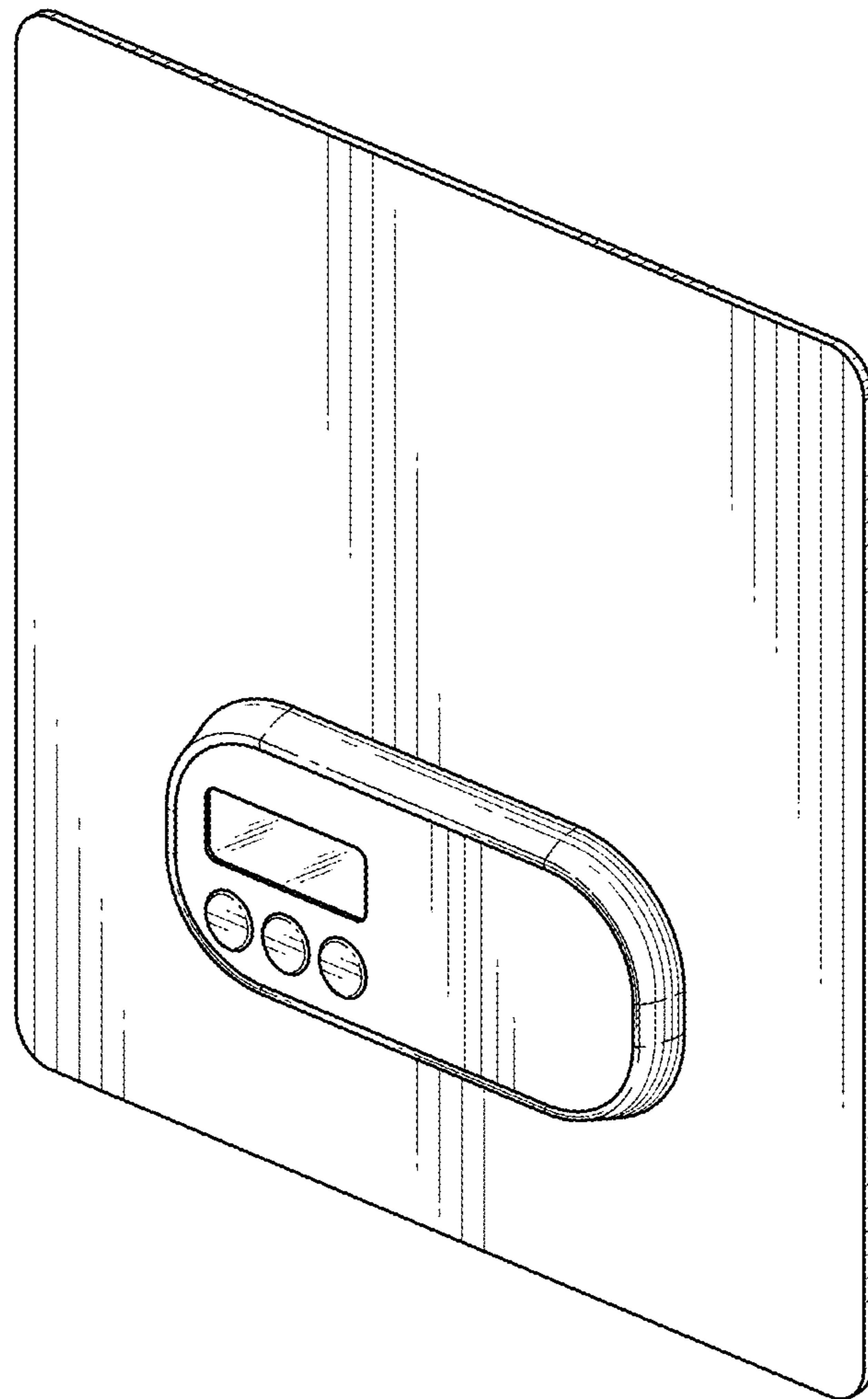


FIG. 1

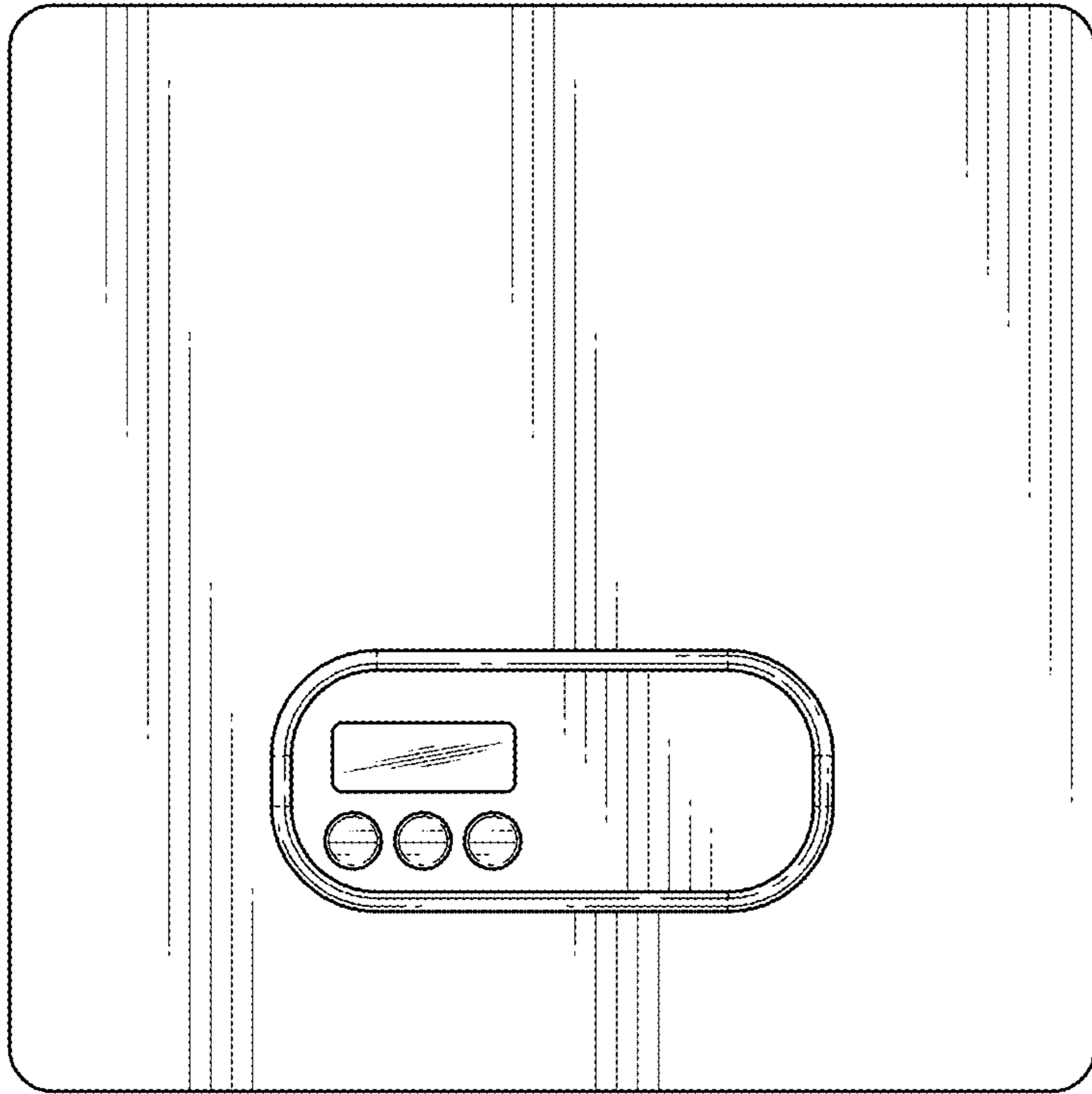


FIG. 2

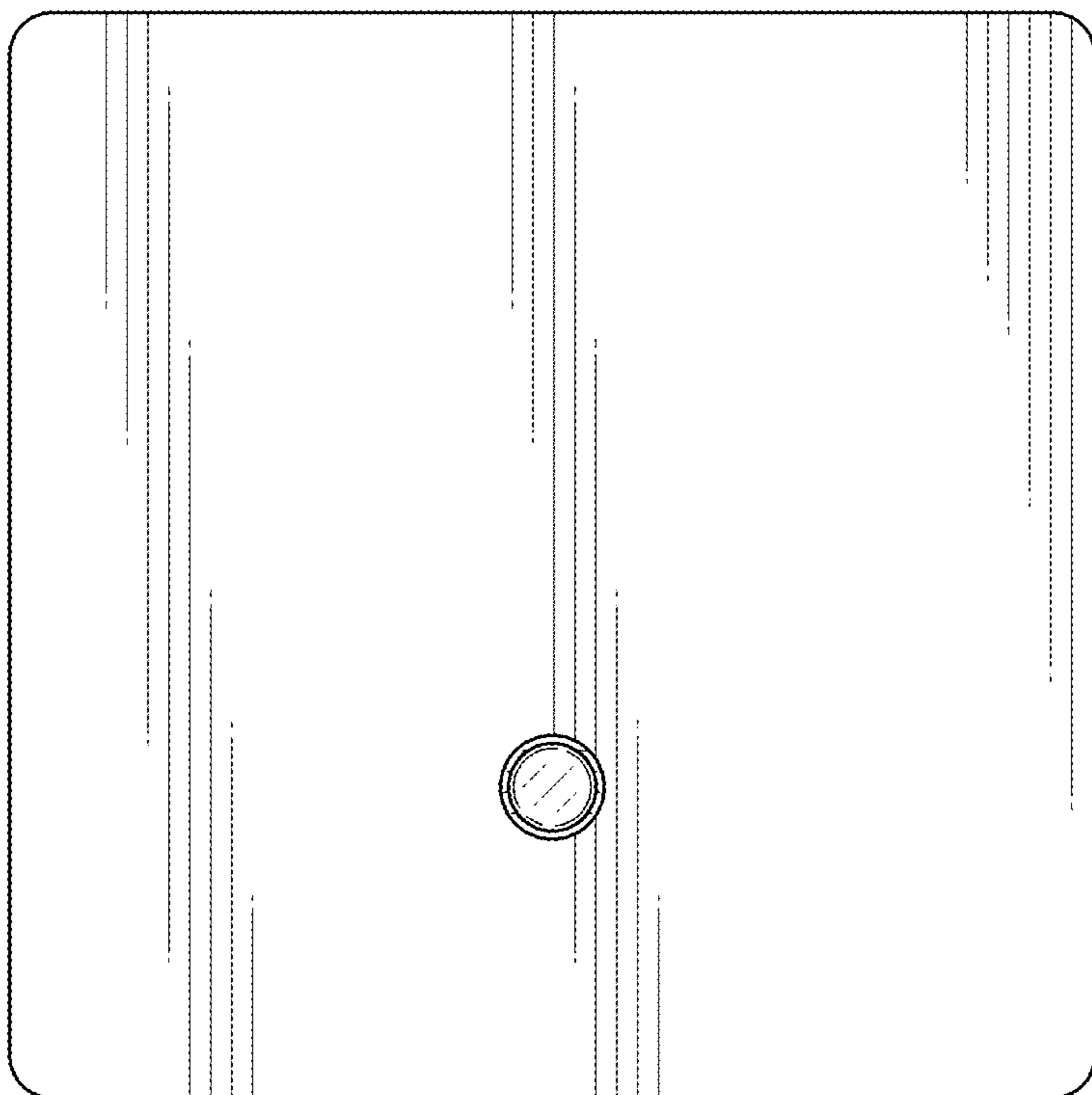


FIG. 3

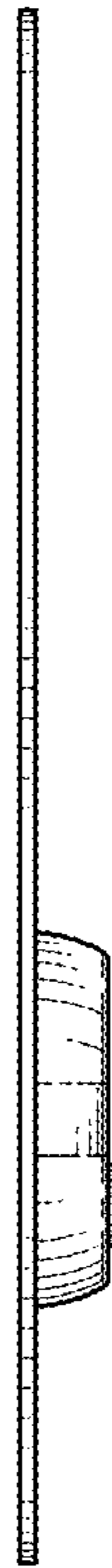


FIG. 4



FIG. 5



FIG. 6

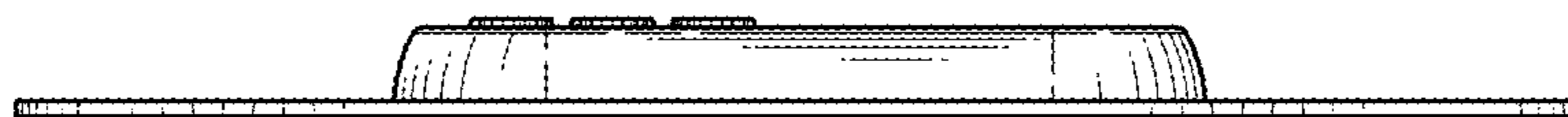


FIG. 7

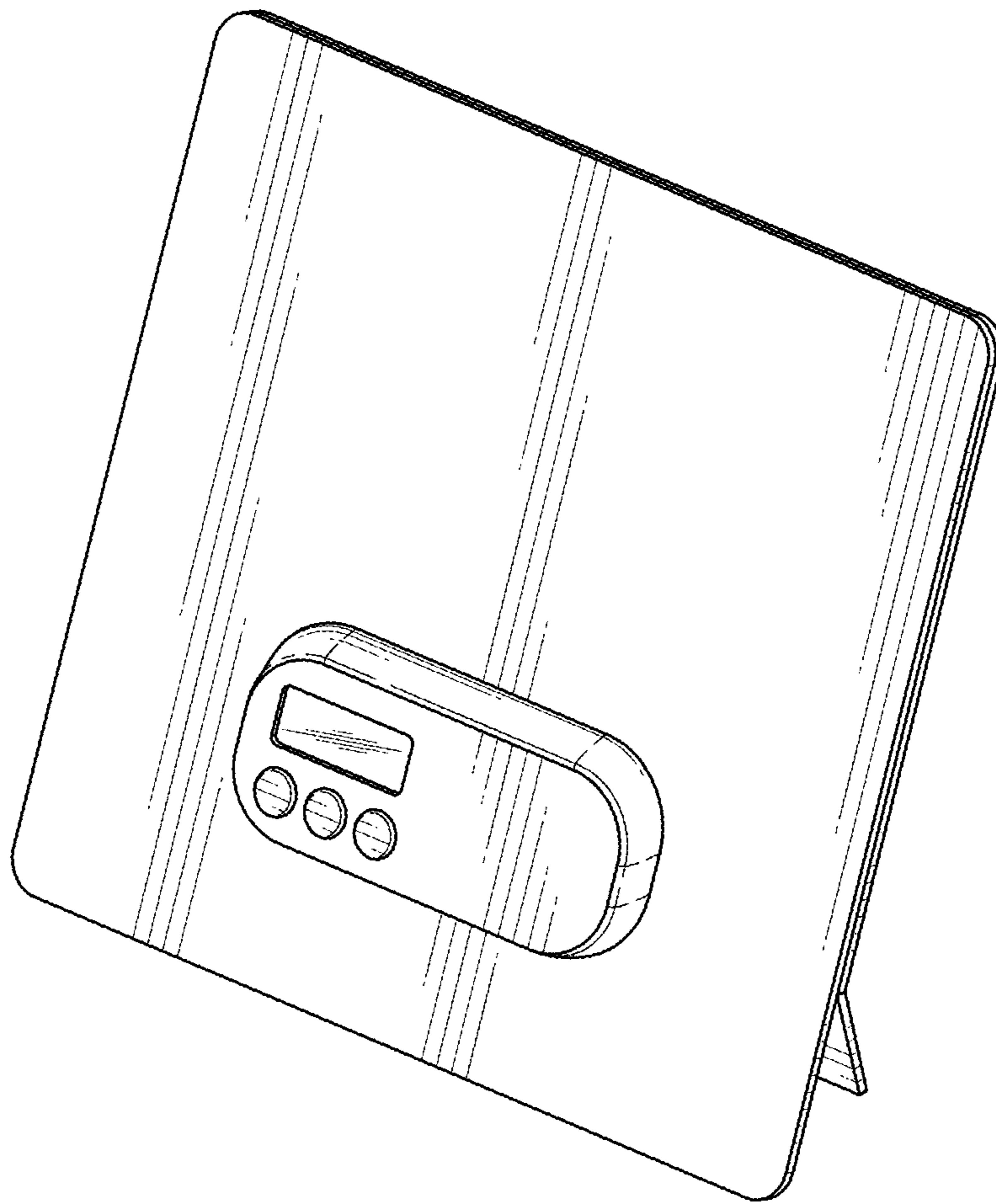


FIG. 8

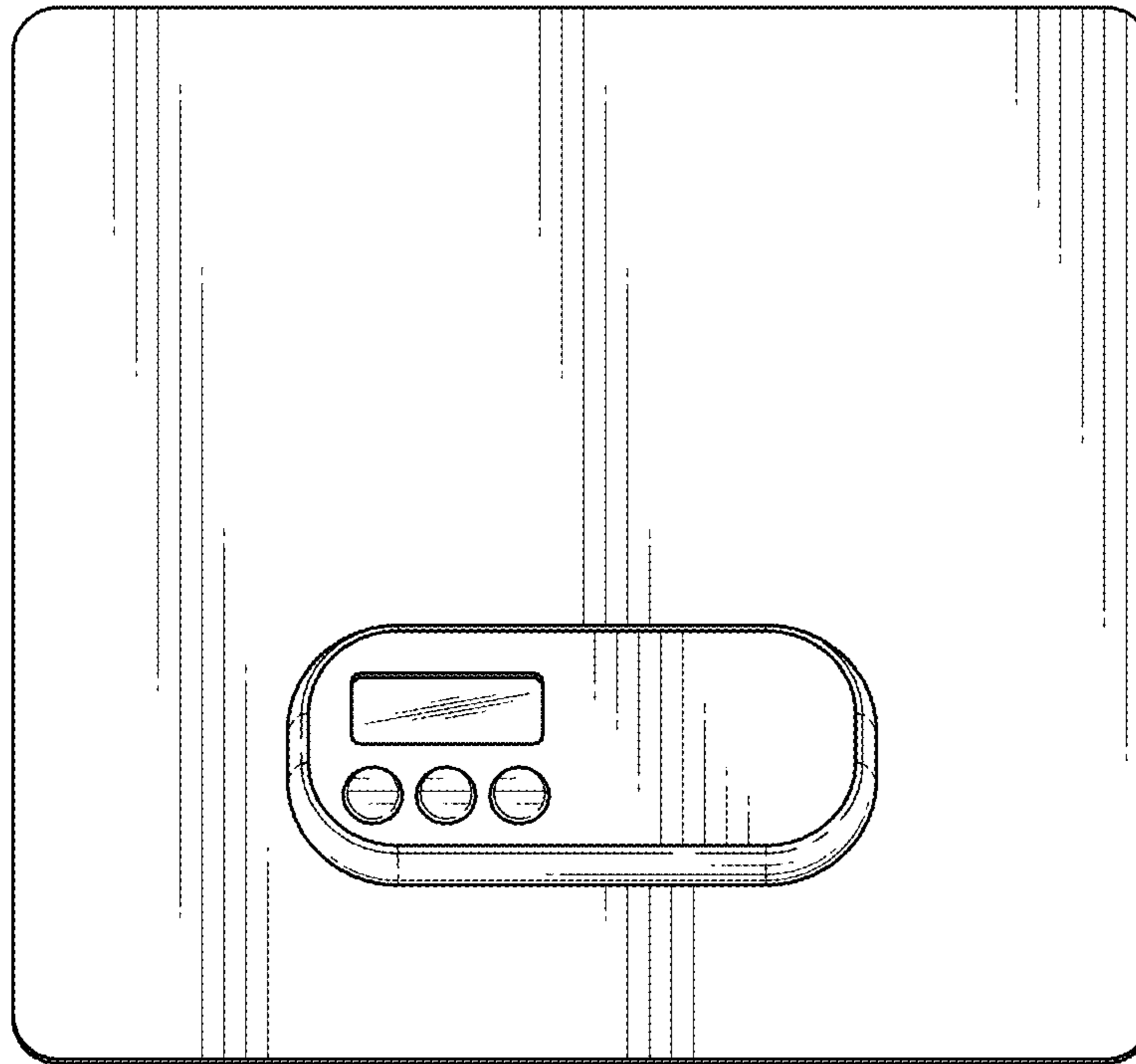


FIG. 9

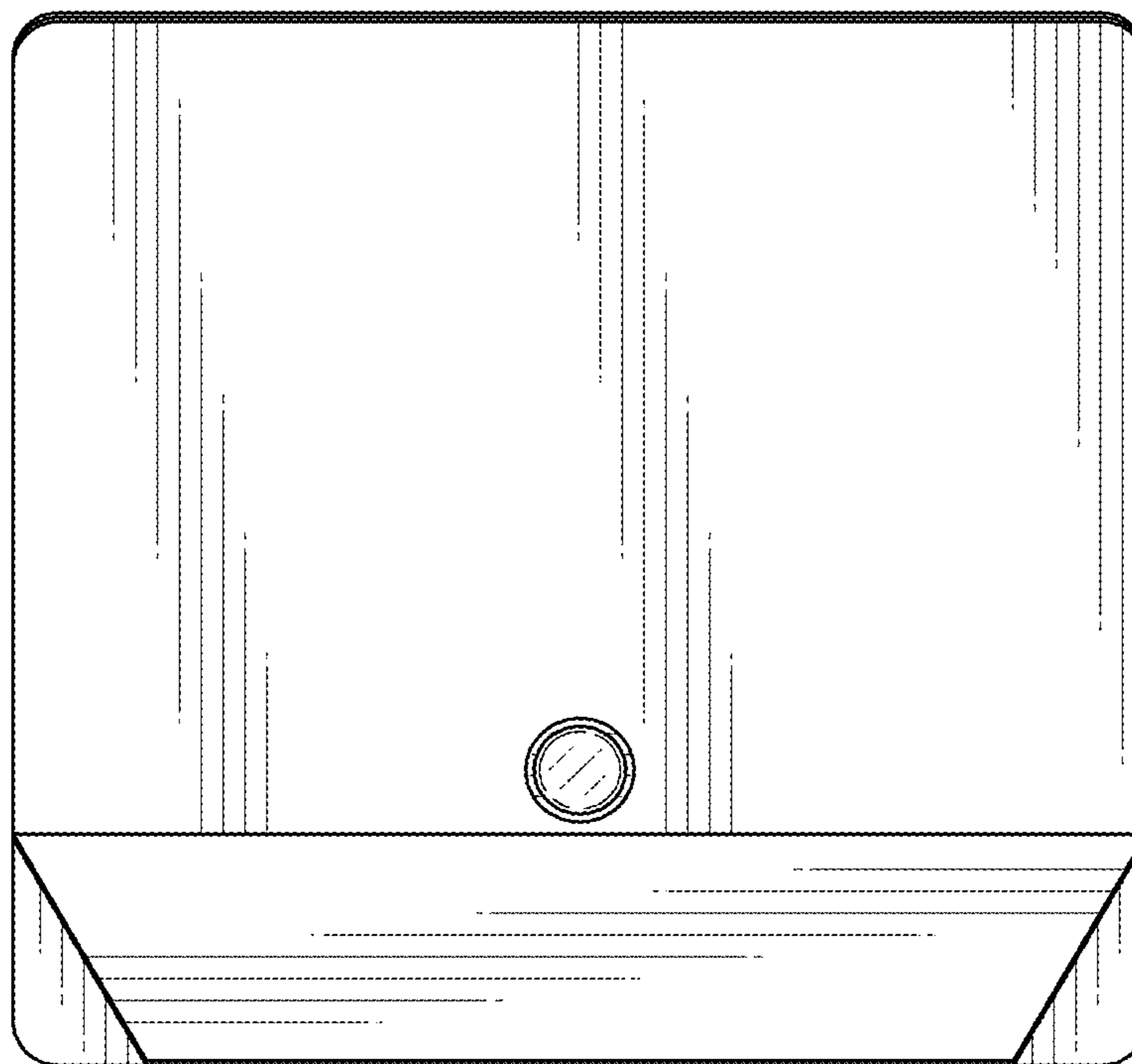


FIG. 10

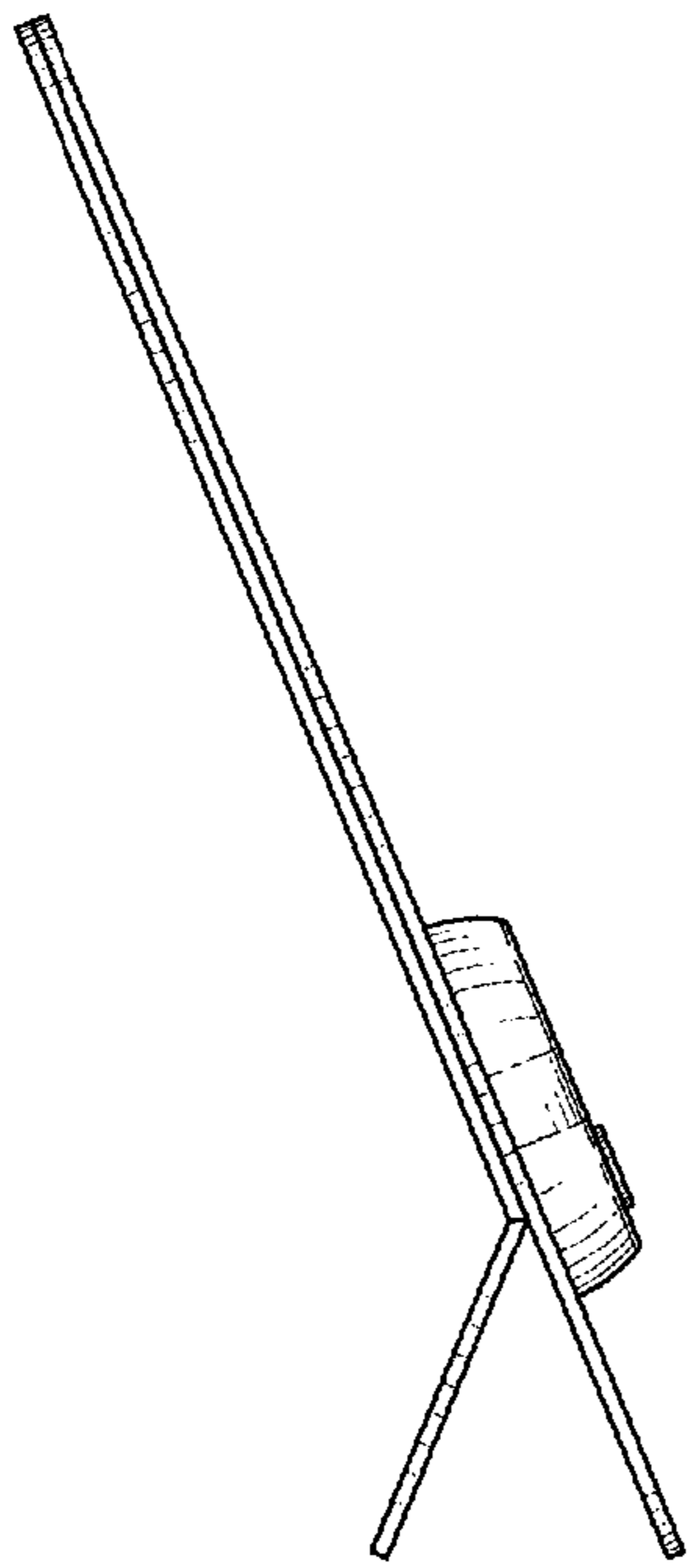


FIG. 11

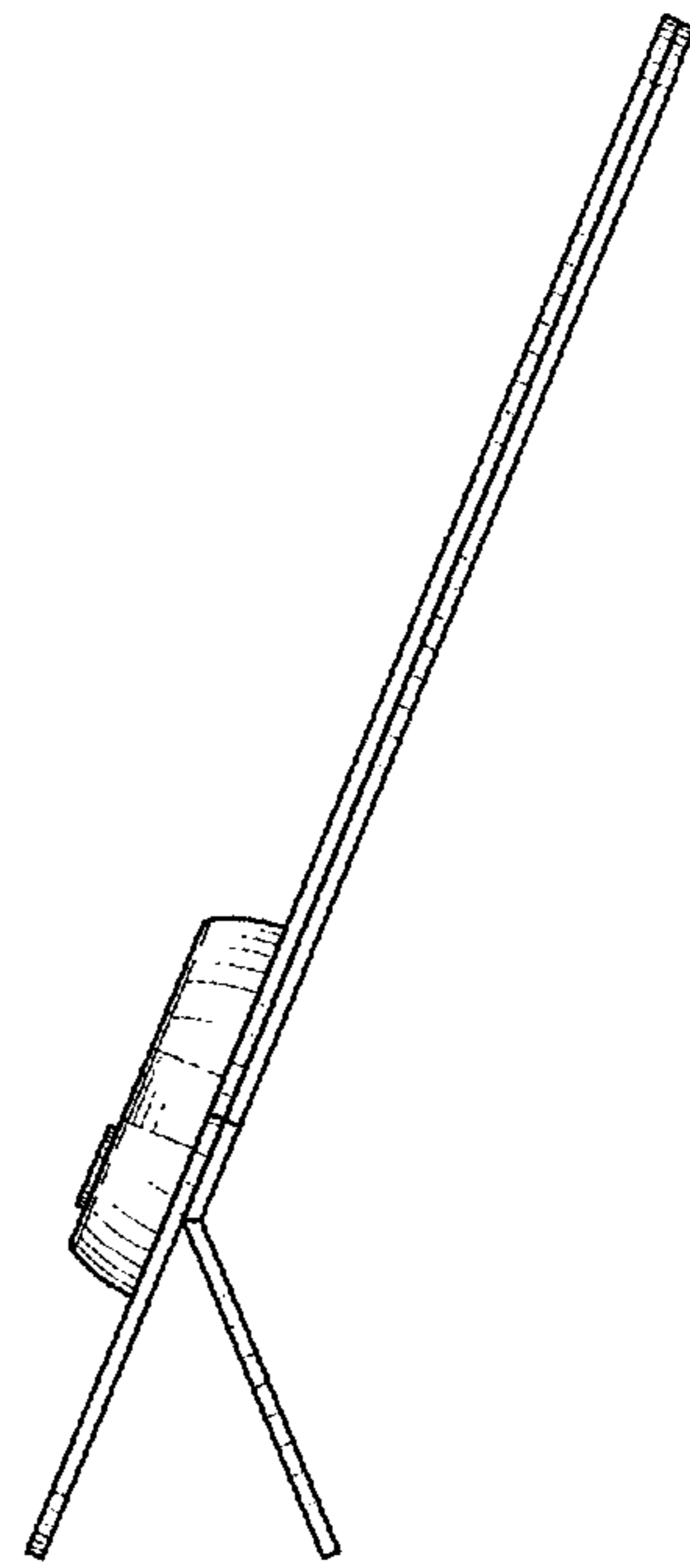


FIG. 12

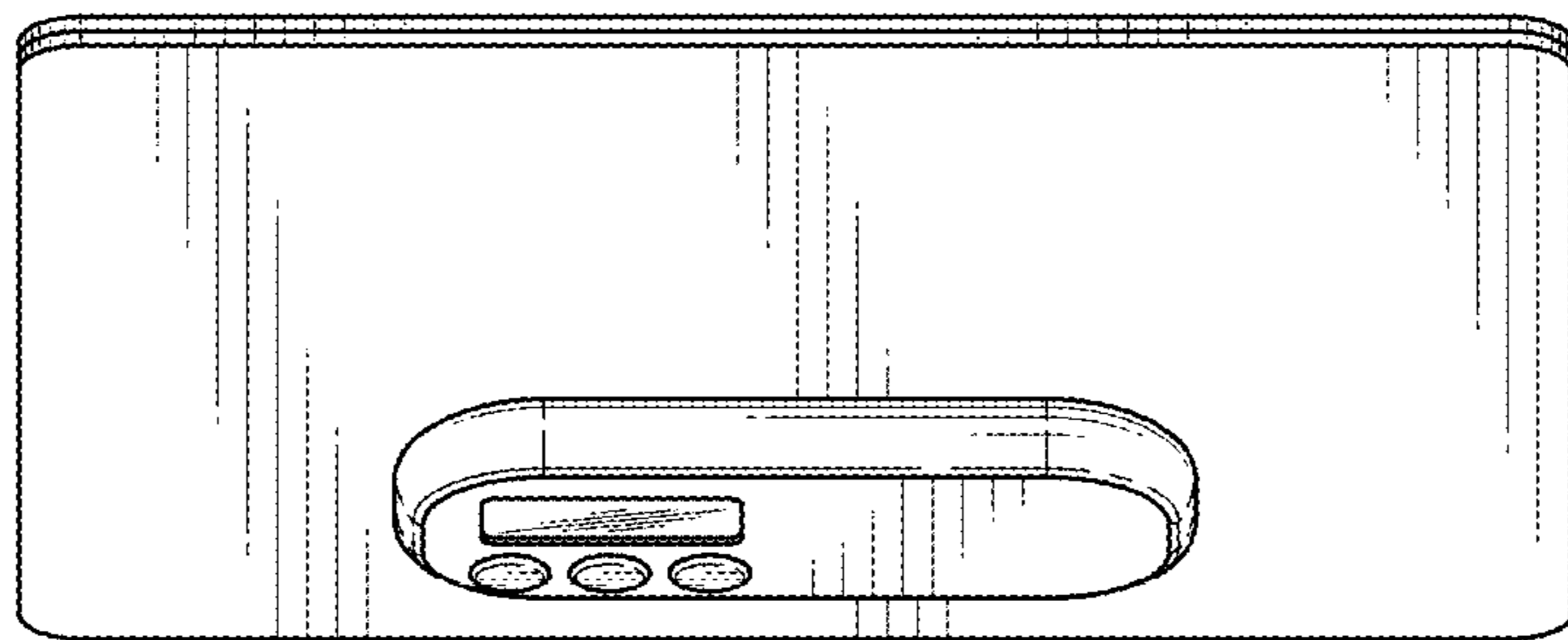


FIG. 13

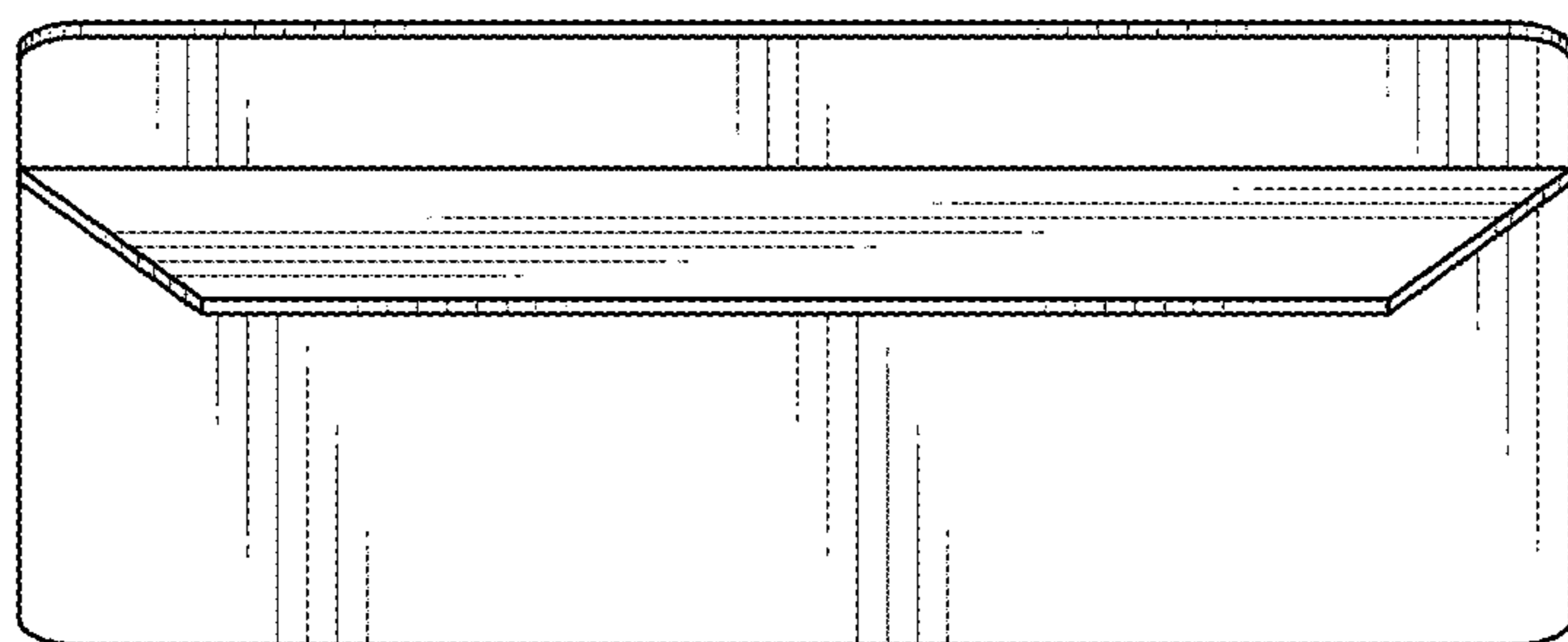


FIG. 14