



US00D771742S

(12) **United States Design Patent**
Harper

(10) **Patent No.:** **US D771,742 S**

(45) **Date of Patent:** **** Nov. 15, 2016**

- (54) **TRUMPET**
- (71) Applicant: **Warwick Music Limited**, Coventry (GB)
- (72) Inventor: **Karl Harper**, Derbyshire (GB)
- (73) Assignee: **WARWICK MUSIC LIMITED**, Coventry (GB)

2,790,345 A * 4/1957 Greenleaf G10D 7/10
84/388
D407,100 S * 3/1999 Marcinkiewicz D17/11
7,396,985 B1 * 7/2008 Roth G10D 7/10
84/385 A
7,667,117 B2 * 2/2010 Wasser G10D 9/04
84/144
2002/0007716 A1 * 1/2002 Shulman G10D 7/10
84/387 A
2006/0117932 A1 * 6/2006 Marosevic G10D 9/02
84/398

(**) Term: **14 Years**

FOREIGN PATENT DOCUMENTS

(21) Appl. No.: **29/508,194**

CN 302518834 * 7/2013

(22) Filed: **Nov. 4, 2014**

* cited by examiner

(30) **Foreign Application Priority Data**

May 16, 2014 (EM) 002465906-0001

(51) **LOC (10) Cl.** **17-02**

(52) **U.S. Cl.**
USPC **D17/11**

(58) **Field of Classification Search**
USPC D17/10, 11, 12, 13; D21/411, 586;
984/1, 10, 11

CPC G10B 1/04; G10D 3/06; G10D 7/10;
G10D 9/02; G10D 9/04

See application file for complete search history.

Primary Examiner — Susan E. Krakower
Assistant Examiner — Lisa A Grabenstetter
(74) *Attorney, Agent, or Firm* — Troutman Sanders LLP;
Ryan A. Schneider

(57) **CLAIM**

The ornamental design for a trumpet, as shown and described.

DESCRIPTION

FIG. 1 is a front view of a trumpet showing my new design.
FIG. 2 is a back view thereof;
FIG. 3 is a top plan view thereof;
FIG. 4 is a bottom plan view thereof;
FIG. 5 is a left side view thereof;
FIG. 6 is a right side view thereof; and,
FIG. 7 is a front left perspective view thereof.

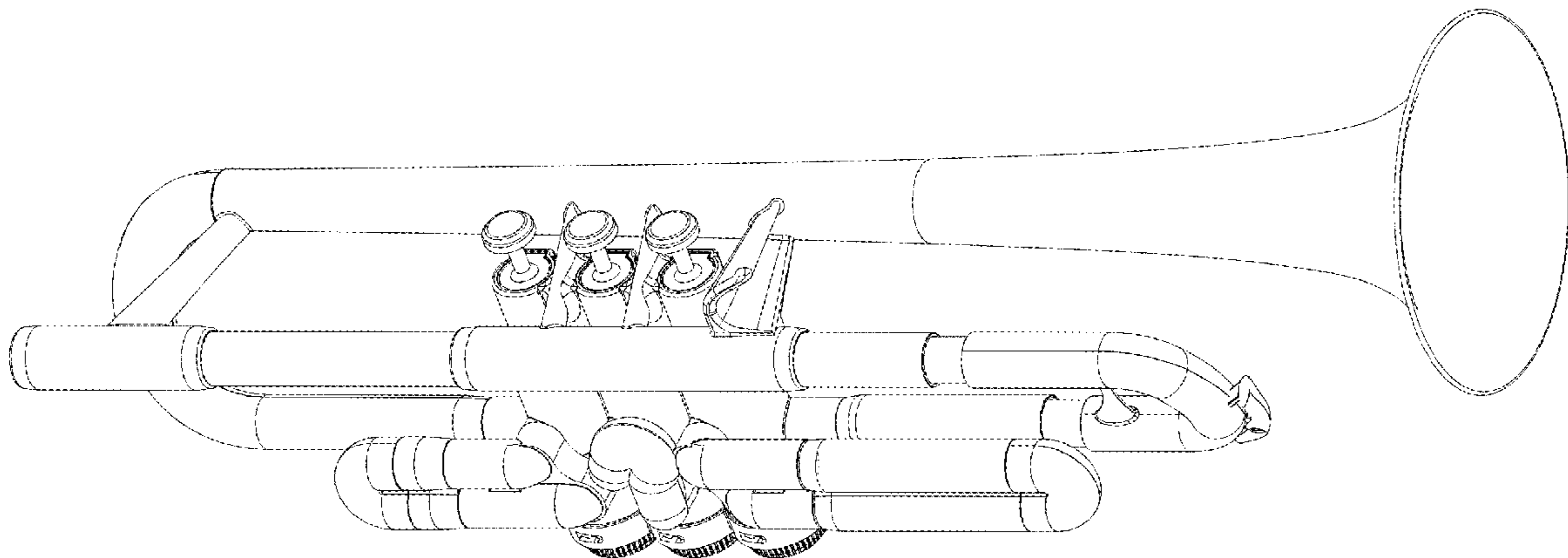
The broken line portions of FIGS. 5 and 6 are included to show unclaimed subject matter only and form no part of the claimed design.

(56) **References Cited**

U.S. PATENT DOCUMENTS

D46,501 S * 10/1914 Holton 84/387 R
D48,319 S * 12/1915 Higgins D17/11
D52,473 S * 9/1918 Couturier 84/394
1,724,632 A * 8/1929 Acheson G10D 7/10
84/388
D119,755 S * 4/1940 Johnson D17/11

1 Claim, 7 Drawing Sheets



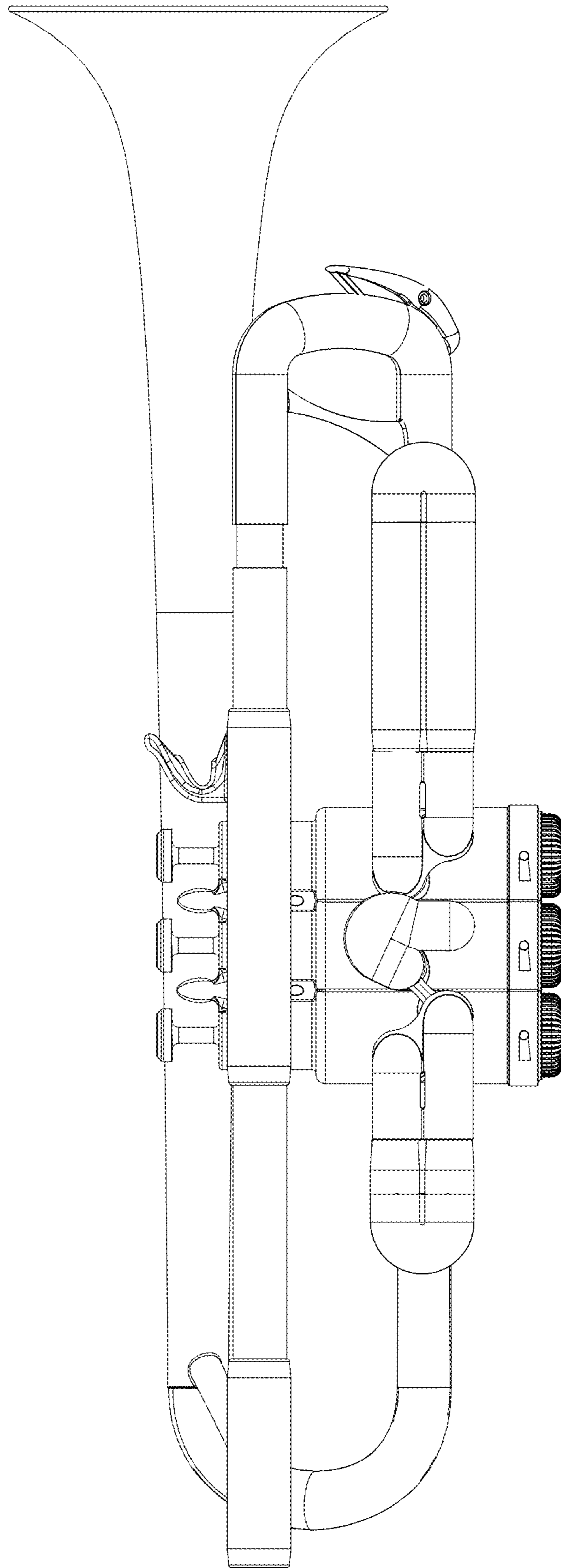


FIG. 1

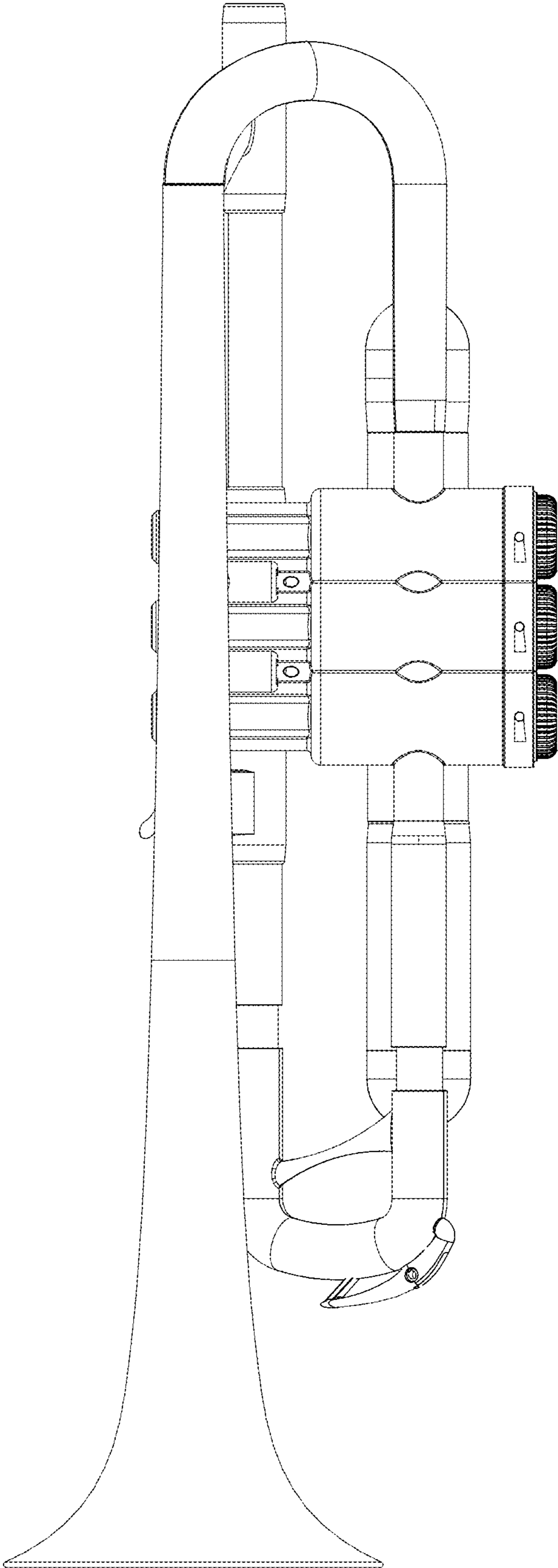


FIG. 2

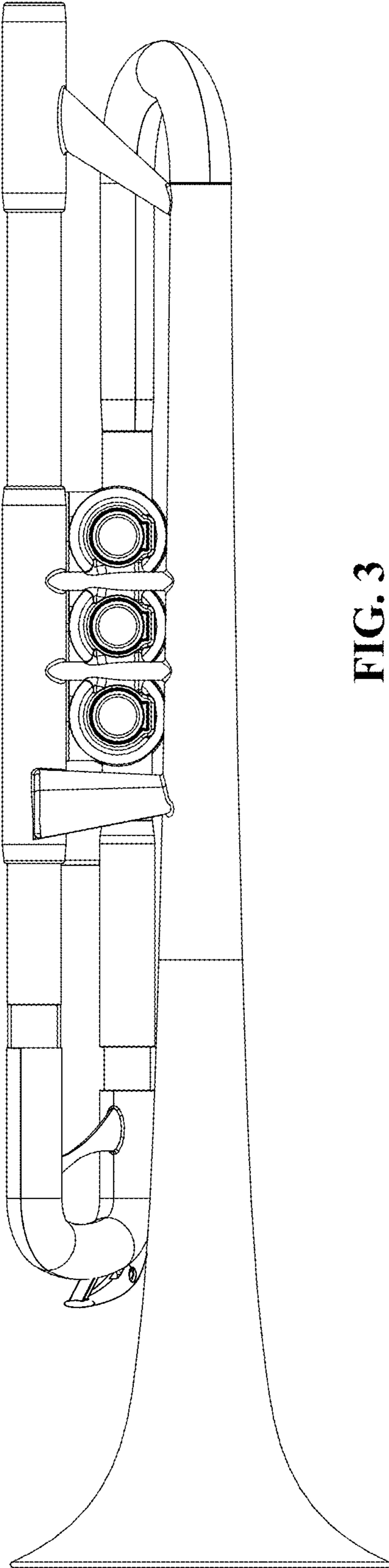


FIG. 3

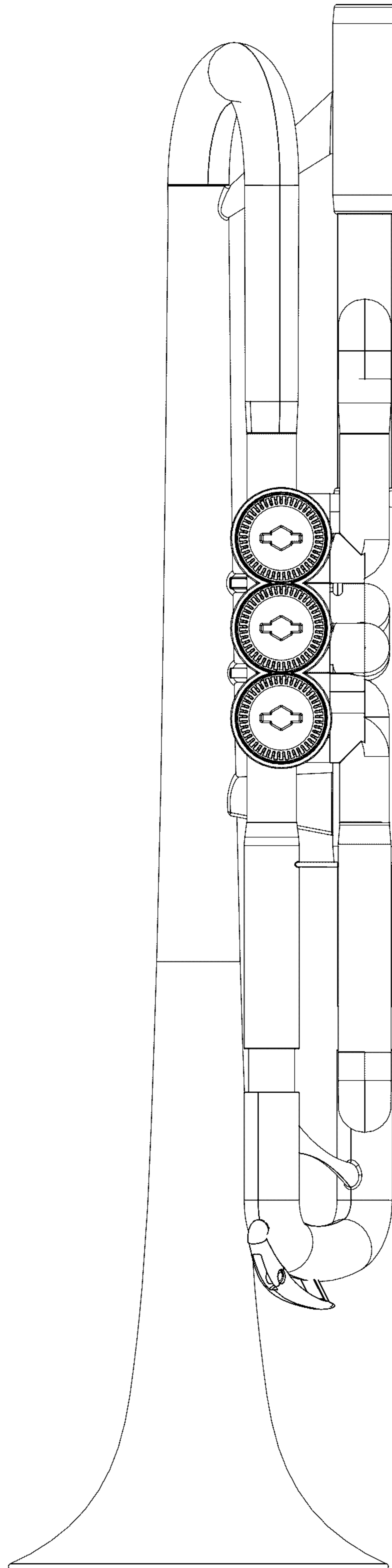


FIG. 4

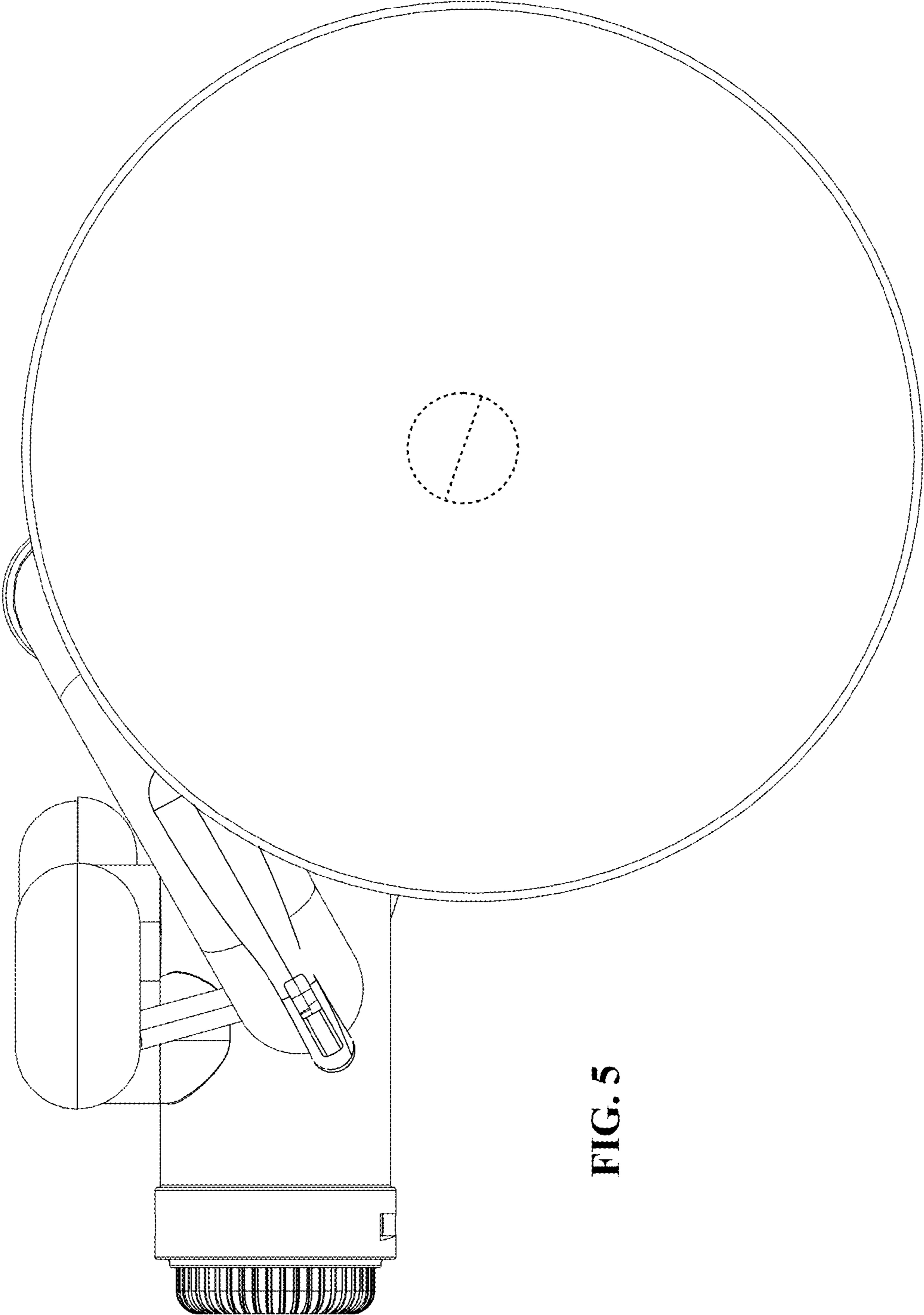


FIG. 5

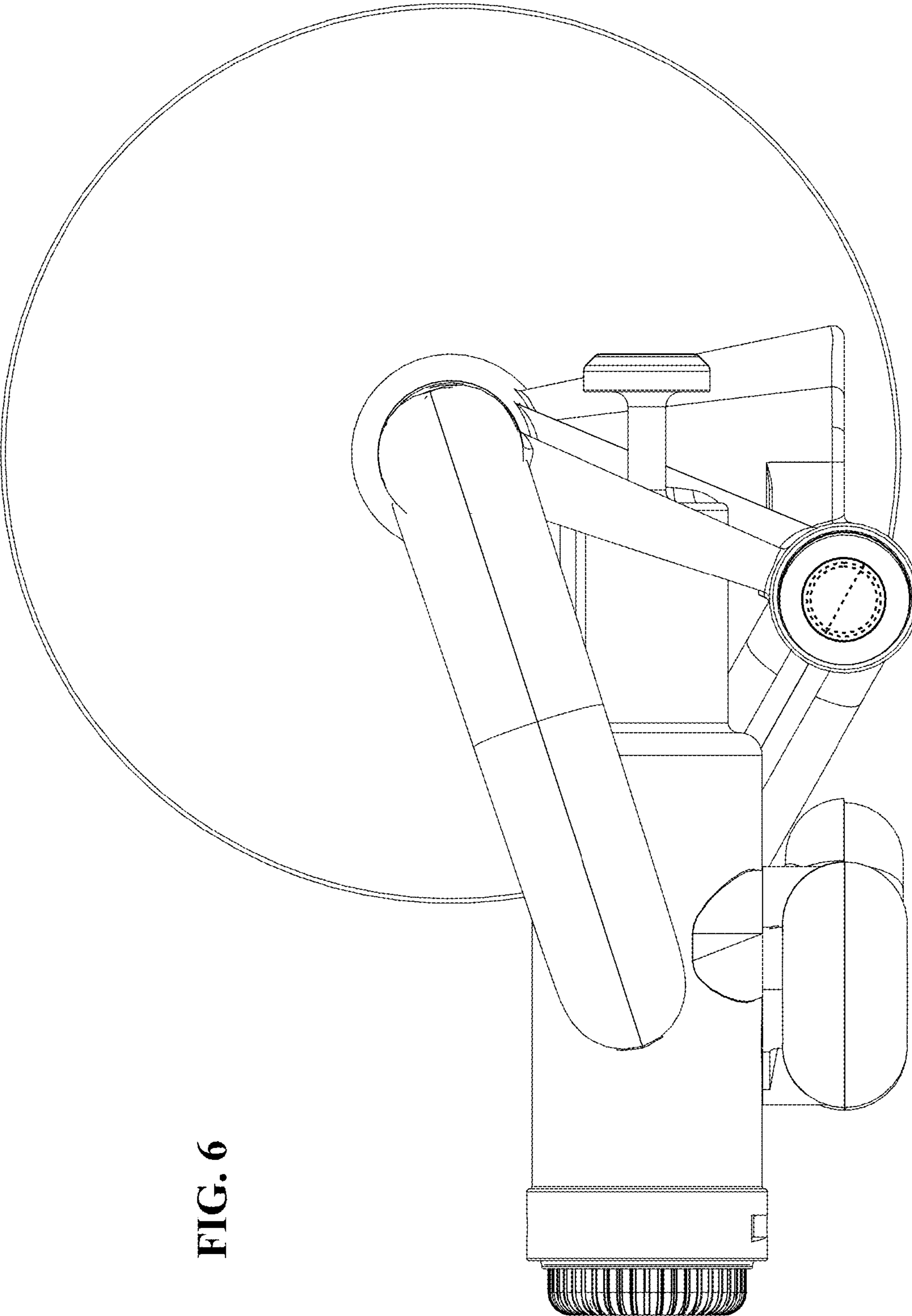


FIG. 6

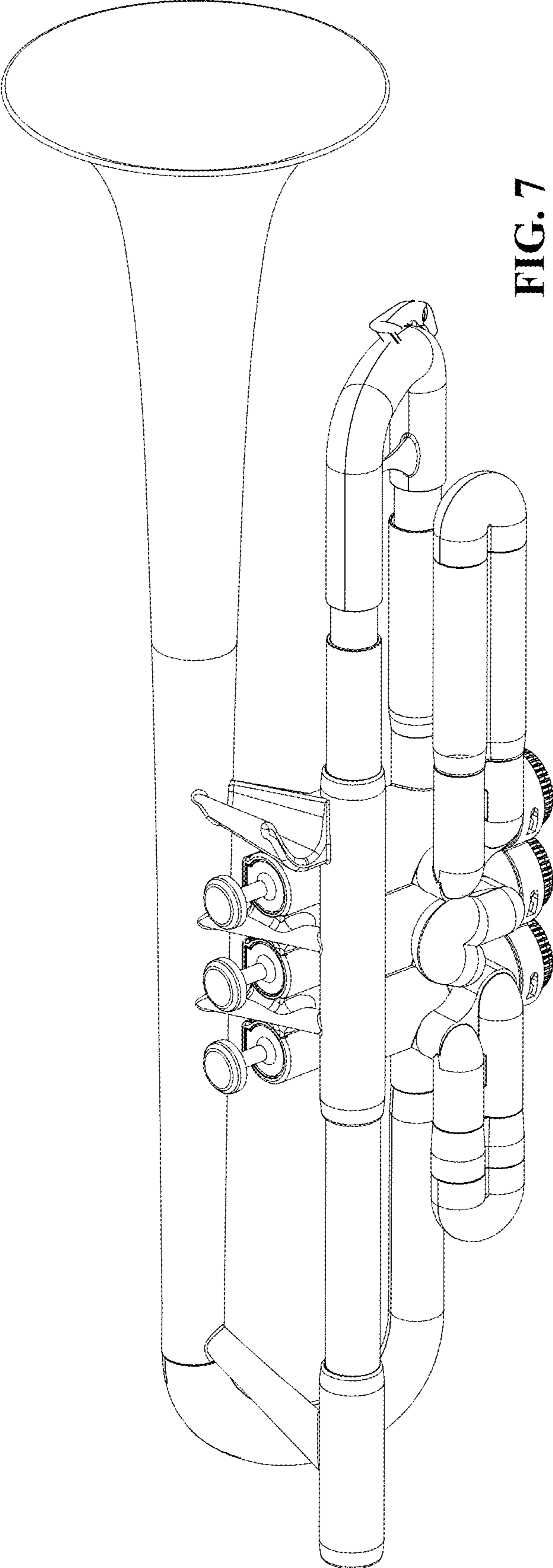


FIG. 7