



US00D771739S

(12) **United States Design Patent** (10) **Patent No.:** **US D771,739 S**
Shin (45) **Date of Patent:** **** Nov. 15, 2016**

(54) **EYEGLASS**
(71) Applicant: **Oakley, Inc.**, Foothill Ranch, CA (US)
(72) Inventor: **Jae Shin**, Irvine, CA (US)
(73) Assignee: **Oakley, Inc.**, Foothill Ranch, CA (US)
(**) Term: **15 Years**
(21) Appl. No.: **29/538,555**
(22) Filed: **Sep. 4, 2015**

D209,862 S 1/1968 McCracken
D210,418 S 3/1968 Bloch
D212,048 S * 8/1968 Parker D16/329
D264,094 S 4/1982 Morris
D372,726 S 8/1996 Simioni
D382,290 S 8/1997 Simioni
D404,055 S 1/1999 Davis
D411,224 S 6/1999 Chen
D423,548 S 4/2000 Yee et al.
D424,598 S 5/2000 Simioni

(Continued)

FOREIGN PATENT DOCUMENTS

JP 1509520 10/2014

OTHER PUBLICATIONS

U.S. Appl. No. 29/477,377, filed Dec. 20, 2013, Thixton.

(Continued)

Related U.S. Application Data

(63) Continuation of application No. 29/489,456, filed on Apr. 30, 2014, now Pat. No. Des. 746,367.
(51) **LOC (10) Cl.** **16-06**
(52) **U.S. Cl.**
USPC **D16/326**
(58) **Field of Classification Search**
USPC D16/101, 300-342, 900; D29/109-110;
351/41, 44, 51-52, 62, 158, 92,
351/103-123, 140-153, 63, 59, 45-48;
2/426-432, 447-449, 441, 434-437,
2/440, 442, 13, 15; D21/483, 659-661;
D14/372; D8/356
CPC G02C 2200/08; G02C 1/06; G02C 5/14;
G02C 11/02; G02C 11/04; G01C 5/16;
A61M 2021/0044; A63B 33/002
See application file for complete search history.

Primary Examiner — Raphael Barkai
(74) *Attorney, Agent, or Firm* — Knobbe Martens Olson & Bear, LLP

(57) **CLAIM**
The ornamental design for an eyeglass, as shown and described.

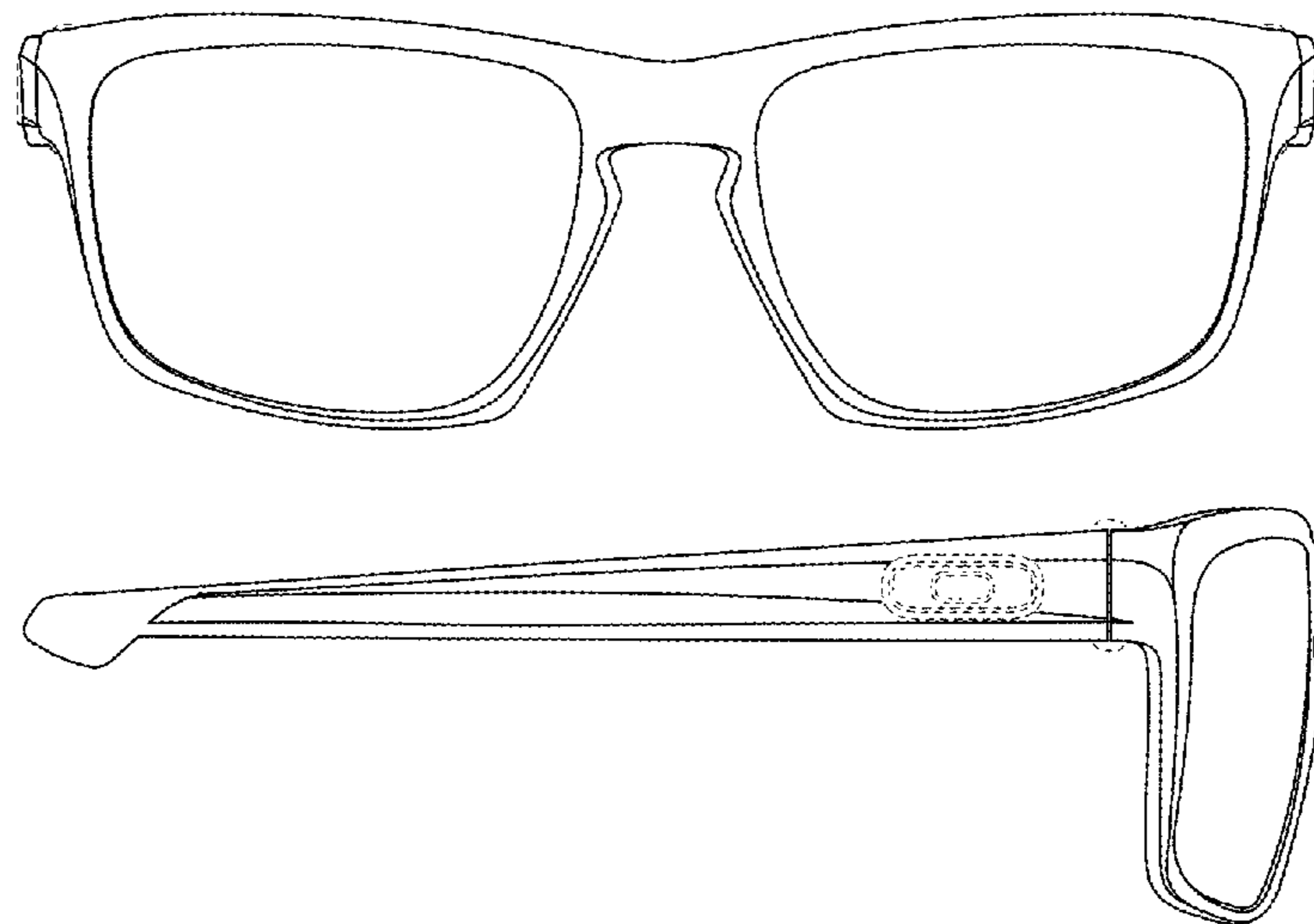
DESCRIPTION

FIG. 1 is a front perspective view of an eyeglass showing an embodiment of the new design;
FIG. 2 is a front elevational view thereof;
FIG. 3 is a rear elevational view thereof;
FIG. 4 is a left side elevational view thereof;
FIG. 5 is a right side elevational view thereof;
FIG. 6 is a top plan view thereof; and,
FIG. 7 is a bottom plan view thereof.
The broken lines in the Figures show portions of the eyeglass which form no part of the claimed design.

1 Claim, 5 Drawing Sheets

(56) **References Cited**
U.S. PATENT DOCUMENTS

D173,868 S * 1/1955 Belgard D16/326
D175,555 S * 9/1955 Kono D16/323
D187,299 S 2/1960 Bebr
D192,884 S 5/1962 Petitto
D196,000 S 8/1963 McNeill
D202,658 S 10/1965 Petitto
D205,419 S 8/1966 Griss



(56)

References Cited

U.S. PATENT DOCUMENTS

D427,622 S * 7/2000 Conway D16/326
 D500,781 S 1/2005 Mage
 D505,151 S 5/2005 Windham
 D513,275 S 12/2005 Yee
 D529,066 S 9/2006 Matera
 D534,572 S 1/2007 Teng
 D534,573 S 1/2007 Mage
 D537,467 S 2/2007 Teng
 D540,846 S 4/2007 Sheldon
 D542,330 S 5/2007 Elmore
 D543,572 S 5/2007 Yee et al.
 D547,793 S 7/2007 Baden et al.
 D547,794 S 7/2007 Jannard et al.
 D548,269 S 8/2007 Baden et al.
 D549,268 S 8/2007 Daems et al.
 D550,272 S 9/2007 Markovitz
 D550,755 S 9/2007 Fuchs
 D553,368 S 10/2007 Yee et al.
 D554,689 S 11/2007 Jannard et al.
 D555,187 S 11/2007 Yee
 D558,816 S 1/2008 Yee
 D561,810 S 2/2008 Fox et al.
 D561,811 S 2/2008 Fox et al.
 D561,812 S 2/2008 Fox et al.
 D561,813 S 2/2008 Baden et al.
 D565,090 S 3/2008 Yee
 D572,749 S 7/2008 Yee
 D575,813 S 8/2008 Li
 D577,759 S 9/2008 Yee
 D581,449 S 11/2008 Yee
 D581,450 S 11/2008 Moritz
 D582,967 S 12/2008 Serlenga
 D584,330 S 1/2009 Chen
 D590,869 S 4/2009 Yang

D591,787 S 5/2009 Yee
 D594,052 S 6/2009 Yang
 D599,836 S 9/2009 Rohrbach
 D599,838 S 9/2009 Rohrbach
 D599,839 S 9/2009 Rohrbach
 D601,613 S 10/2009 Yee
 D604,756 S 11/2009 Shin et al.
 D604,757 S 11/2009 Yee
 D604,758 S 11/2009 Rohrbach et al.
 D604,759 S 11/2009 Rohrbach
 D606,113 S 12/2009 Daems
 D607,040 S 12/2009 Rohrbach
 D610,604 S 2/2010 Thixton
 D616,485 S 5/2010 Thixton
 D616,919 S 6/2010 Thixton
 D620,970 S 8/2010 Thixton
 D622,303 S 8/2010 Thixton
 D622,755 S 8/2010 Yee
 D623,683 S 9/2010 Rohrbach
 D648,771 S 11/2011 Rohrbach
 D648,773 S 11/2011 Thixton
 D652,442 S 1/2012 Yee et al.
 D653,698 S 2/2012 Taylor et al.
 D659,179 S 5/2012 Thixton
 D675,667 S 2/2013 Shin
 D678,389 S 3/2013 Rohrbach
 D714,858 S 10/2014 Thixton
 D720,799 S 1/2015 Thixton
 D720,800 S 1/2015 Shin
 D735,797 S * 8/2015 Aquino D16/309
 D737,883 S * 9/2015 Hong D16/321

OTHER PUBLICATIONS

U.S. Appl. No. 29/489,456, filed Apr. 30, 2014, Shin.
 Oakley, Inc. website (HJ23008917), published in 2011.

* cited by examiner

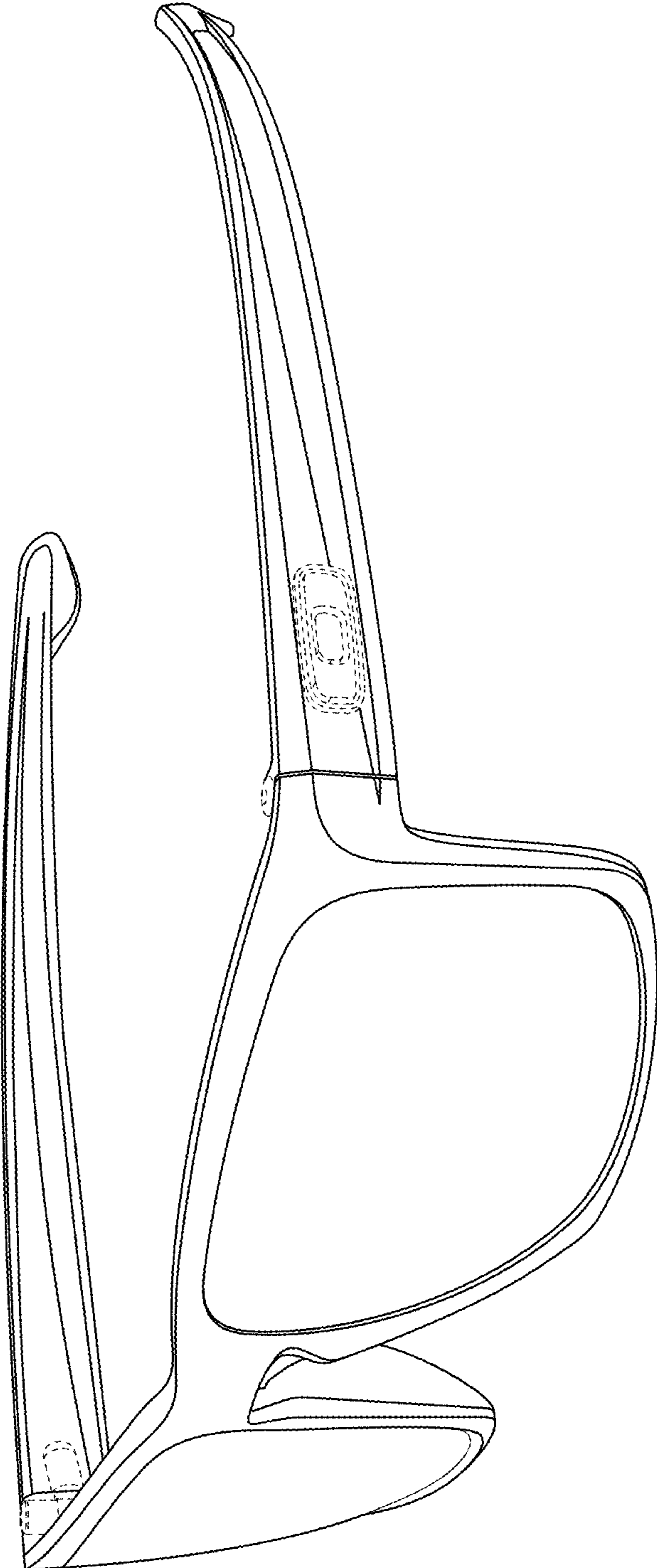


FIG. 1

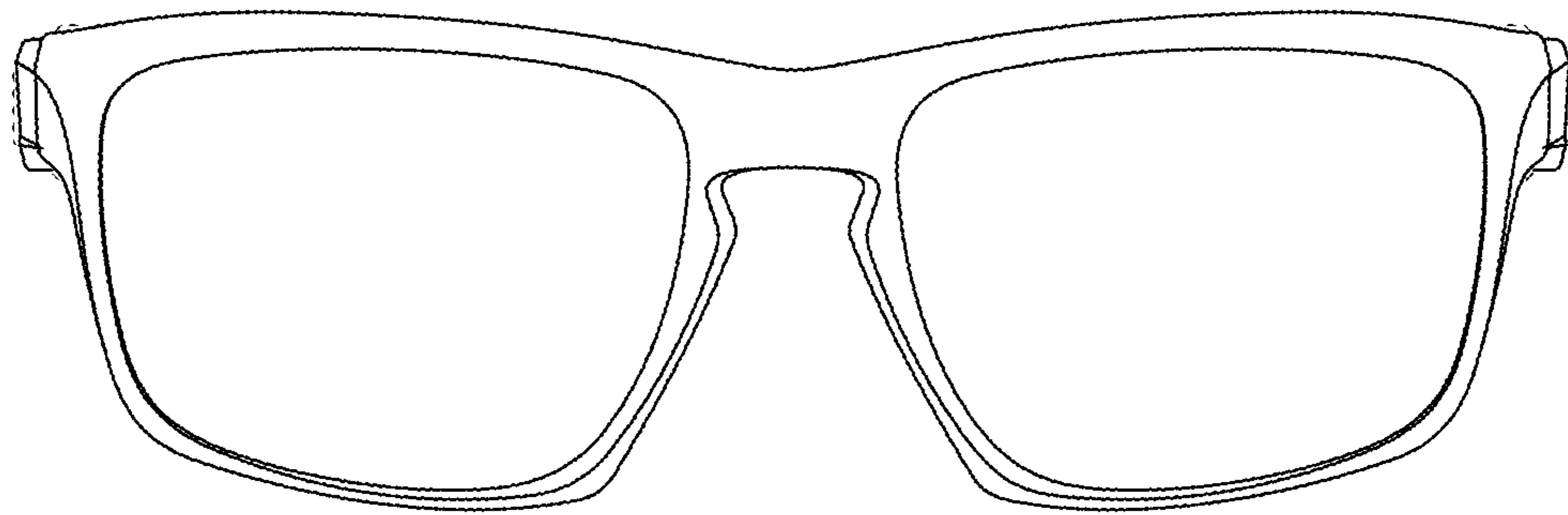


FIG. 2

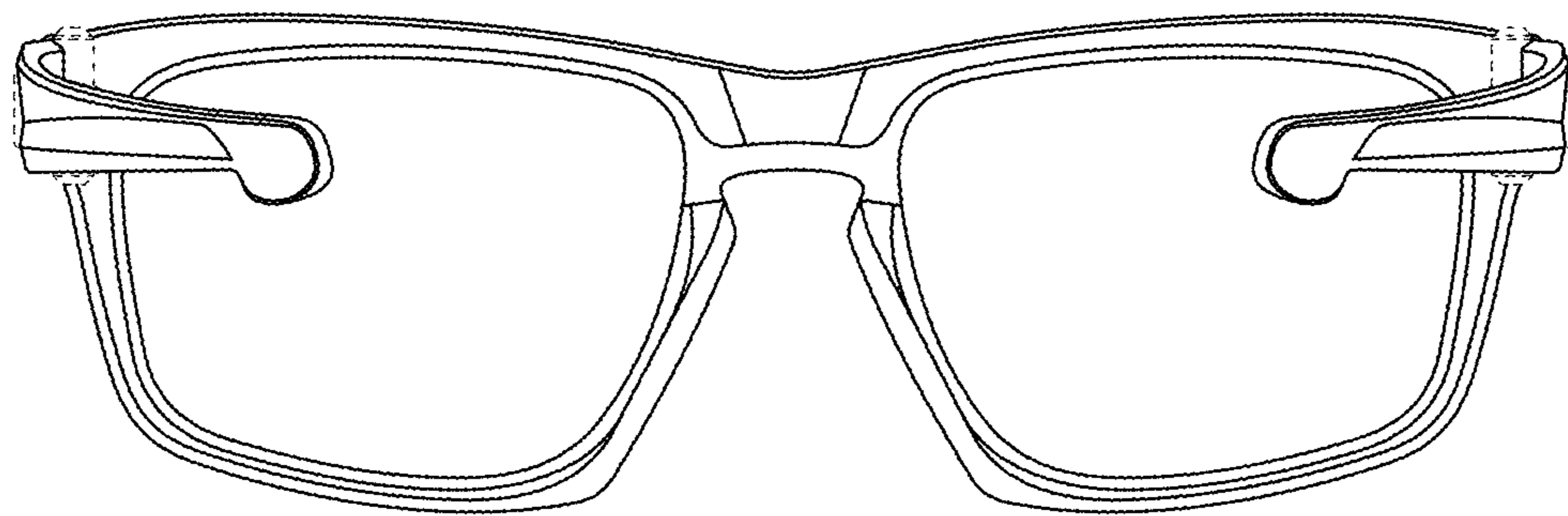


FIG. 3

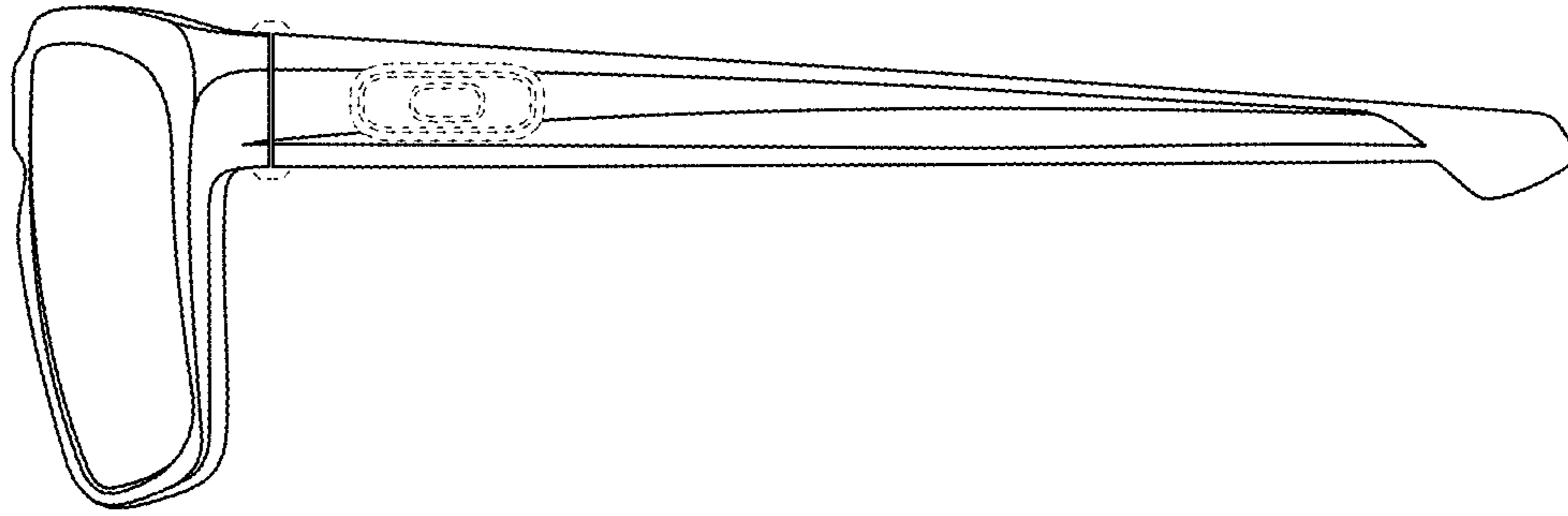


FIG. 4

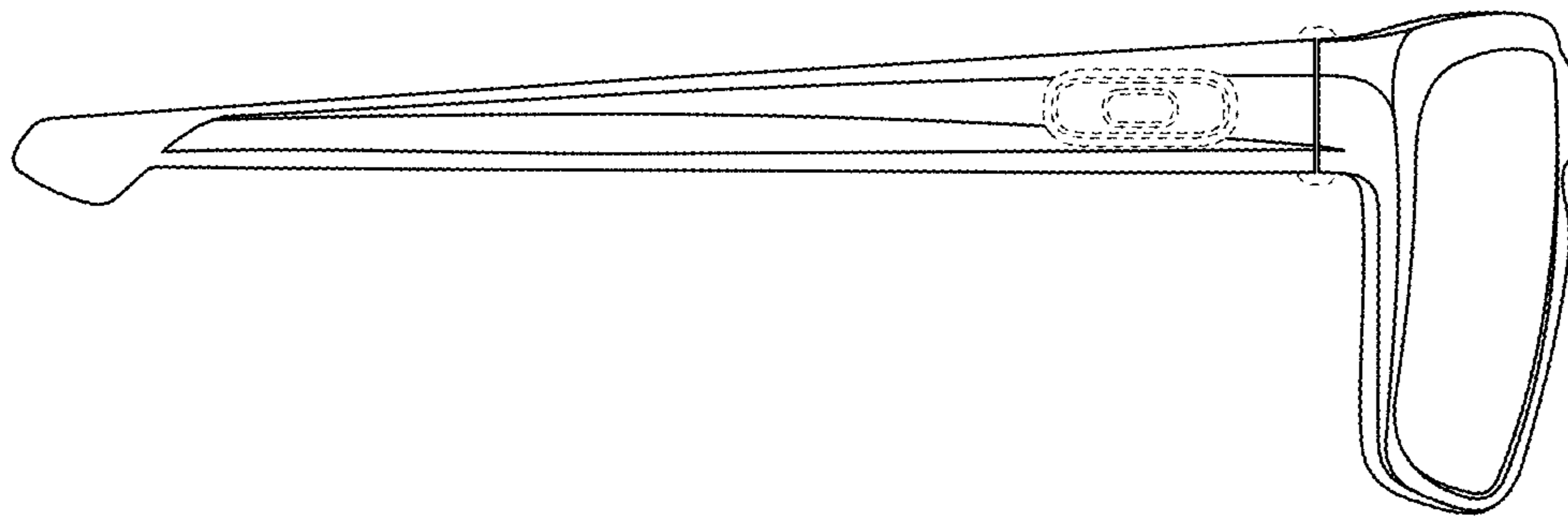


FIG. 5

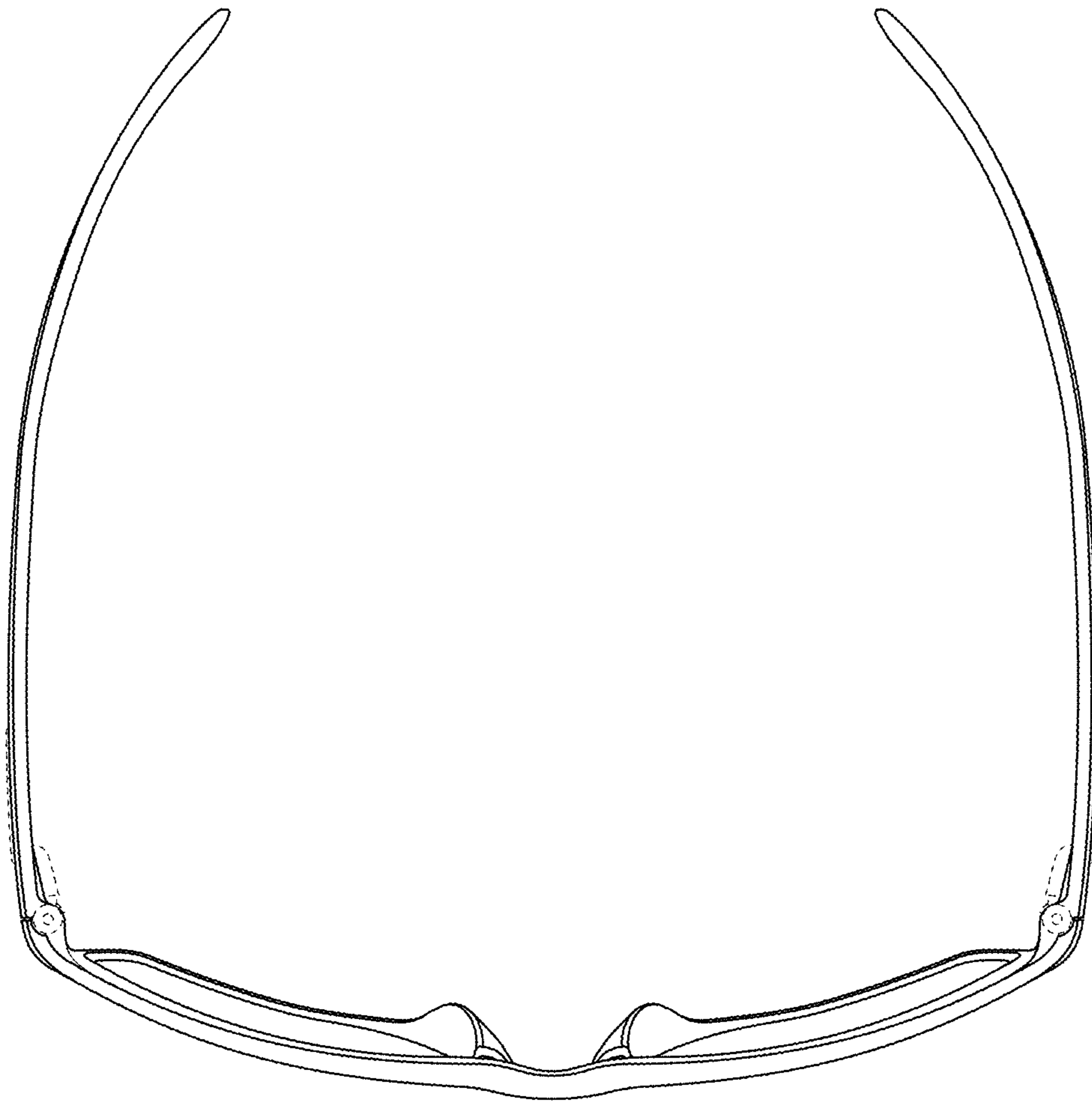


FIG. 6

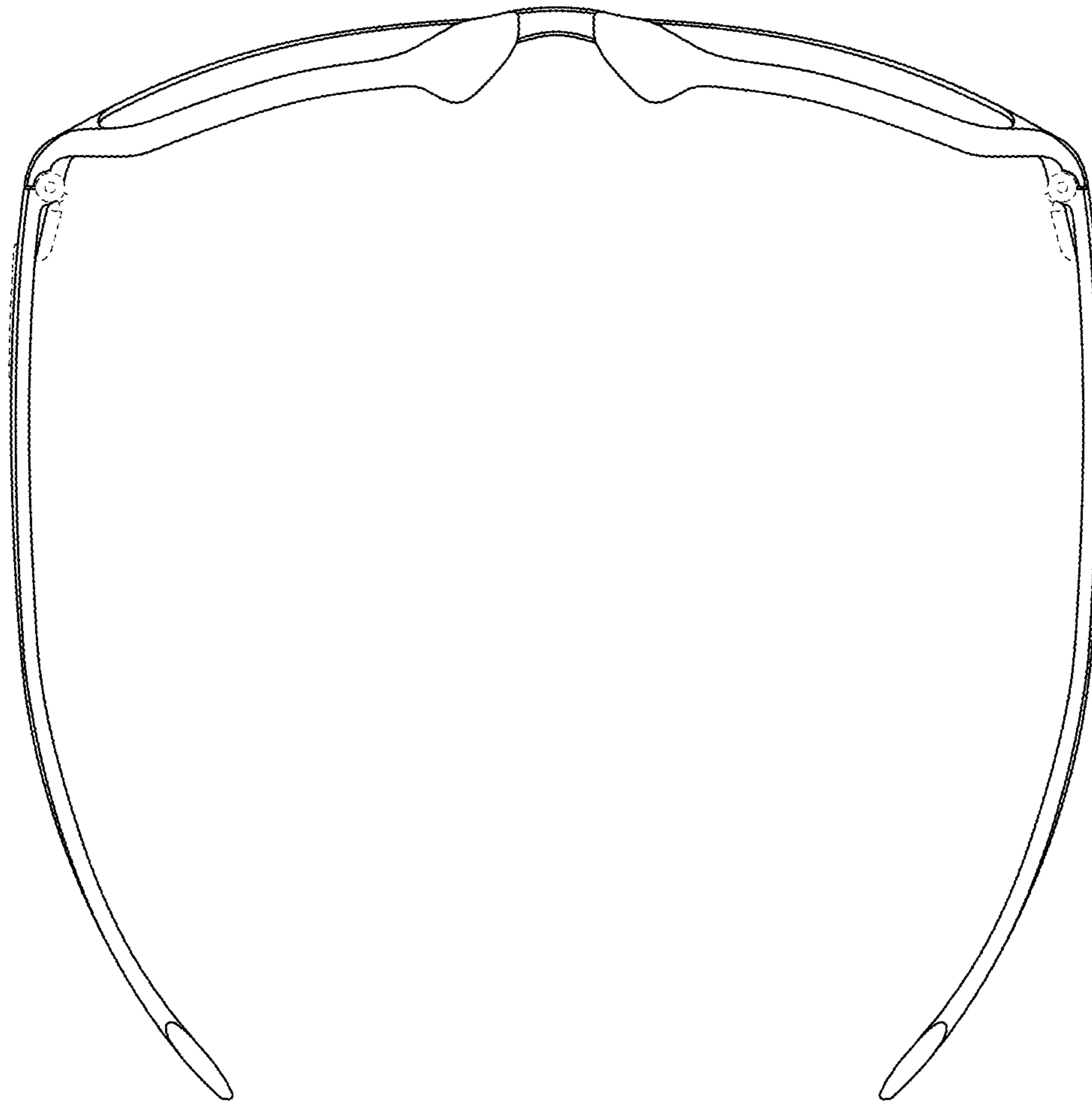


FIG. 7