



US00D771734S

(12) **United States Design Patent** (10) **Patent No.:** **US D771,734 S**  
**Samuels et al.** (45) **Date of Patent:** **\*\* Nov. 15, 2016**

(54) **SUCTION CUP MOUNT LOCKING MECHANISM**

(71) Applicant: **GoPro, Inc.**, San Mateo, CA (US)  
 (72) Inventors: **Rudy Lucas Samuels**, Mill Valley, CA (US); **Joshua Todd Druker**, Redwood City, CA (US); **Travis Eastman Pynn**, Moss Beach, CA (US); **Nicholas D. Woodman**, Sausalito, CA (US)

(73) Assignee: **GoPro, Inc.**, San Mateo, CA (US)

(\*\*) Term: **15 Years**  
 (21) Appl. No.: **29/527,029**  
 (22) Filed: **May 14, 2015**

**Related U.S. Application Data**

(63) Continuation of application No. 29/476,824, filed on Dec. 17, 2013, now Pat. No. Des. 730,428, which is a continuation of application No. 29/460,701, filed on Jul. 12, 2013, now Pat. No. Des. 698,851, which is a continuation of application No. 29/434,619, filed on Oct. 15, 2012, now Pat. No. Des. 688,726.  
 (51) **LOC (10) Cl.** ..... **16-05**  
 (52) **U.S. Cl.**  
 USPC ..... **D16/245**  
 (58) **Field of Classification Search**  
 USPC ..... D16/206, 219, 235, 237-245, 250; D14/251, 253; D8/107, 303, 349, 352, D8/354, 355, 356, 363, 367, 373, 380, 383, D8/387, 394, 396; D12/415  
 CPC ..... G03B 17/56; G03B 17/561-17/568; G02B 7/00-7/002; H04N 5/2253-5/2254; F16M 11/04-11/12  
 See application file for complete search history.

(56) **References Cited**

U.S. PATENT DOCUMENTS

D521,850 S	5/2006	Richter et al.	
D545,825 S	7/2007	Richter	
D554,136 S	10/2007	Richter	
D554,137 S	10/2007	Richter	
D556,205 S	11/2007	Wohlford	
D566,530 S	4/2008	Brassard	
D579,854 S *	11/2008	Mo	..... D12/415
D580,847 S	11/2008	Mo	

(Continued)

OTHER PUBLICATIONS

Shenzhen AEE Technology, Co., Ltd., "Professional car camcorder CD20," 4 pages, Archived on Webarchive.org on Sep. 24, 2012, [online] [Retrieved on Jan. 9, 2013] Retrieved from the internet <URL:http://web-beta.archive.org/web/20120924044527/http://aee.com/en/productshow.asp?Sendid=77>.

(Continued)

*Primary Examiner* — Vy Koenig

(74) *Attorney, Agent, or Firm* — Fenwick & West LLP

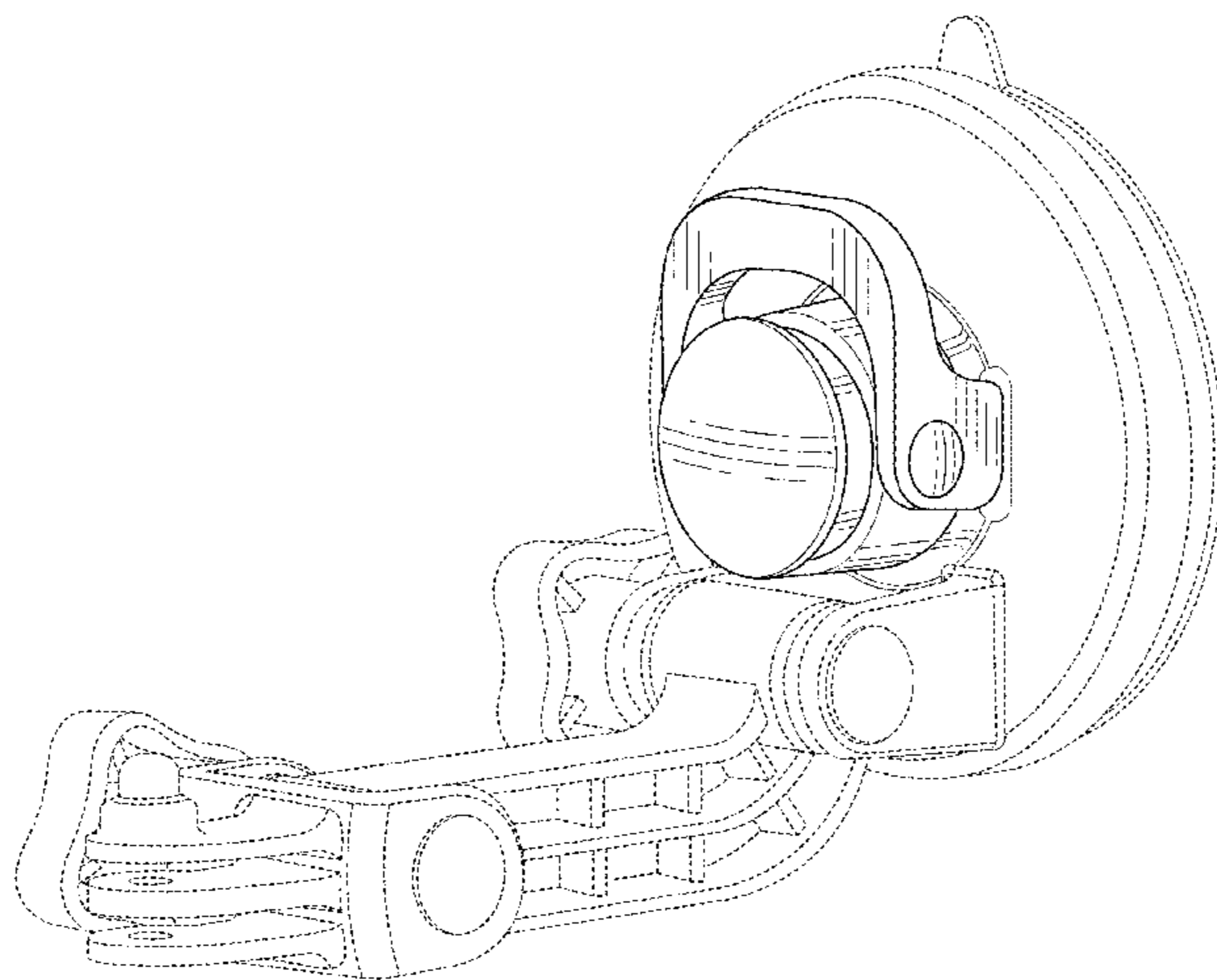
(57) **CLAIM**

The ornamental design for a suction cup mount locking mechanism, as shown and described.

**DESCRIPTION**

FIG. 1 is a top and left side perspective view of a suction cup mount locking mechanism in a locked configuration; FIG. 2 is top and right side perspective view thereof. FIG. 3 is a top plan view thereof. FIG. 4 is a front elevational view thereof. FIG. 5 is right side elevational view thereof. FIG. 6 is right side elevational view of a suction cup mount locking mechanism in an unlocked configuration; and, FIG. 7 is a top and right side perspective view thereof. The broken lines in the drawings showing portions of the suction cup mount locking mechanism are included for the purpose of illustrating environmental structure and form no part of the claimed design.

**1 Claim, 7 Drawing Sheets**



(56)

**References Cited**

U.S. PATENT DOCUMENTS

D587,188 S 2/2009 Mo  
 D592,205 S 5/2009 O'Brien  
 D602,024 S 10/2009 Richter  
 D602,025 S 10/2009 Richter  
 D602,342 S \* 10/2009 Brassard ..... D14/452  
 D603,322 S \* 11/2009 Nicieja ..... D12/415  
 D619,586 S 7/2010 Richter  
 D619,587 S 7/2010 Richter  
 7,766,288 B2 8/2010 Kim et al.  
 D627,624 S 11/2010 Brassard  
 D654,493 S 2/2012 Baumann et al.  
 D655,282 S \* 3/2012 Richter ..... D14/253  
 D655,283 S 3/2012 Richter  
 D655,284 S 3/2012 Richter  
 D664,952 S 8/2012 Richter  
 D670,157 S 11/2012 Mo  
 D681,028 S 4/2013 Richter  
 D681,029 S 4/2013 Richter  
 D688,726 S 8/2013 Samuels et al.  
 D698,851 S \* 2/2014 Samuels ..... D16/242

D700,175 S 2/2014 Ohm  
 D709,066 S 7/2014 Byun  
 D714,772 S 10/2014 Rozzo et al.  
 D718,298 S \* 11/2014 Aspinall ..... D14/253  
 D730,428 S \* 5/2015 Samuels ..... D16/242  
 D733,116 S \* 6/2015 Aspinall ..... D14/253  
 D748,098 S \* 1/2016 Khodapanah ..... D14/447  
 2007/0012825 A1 1/2007 Yeh  
 2010/0320341 A1 12/2010 Baumann et al.  
 2012/0049019 A1 3/2012 Chen

OTHER PUBLICATIONS

Woodman Labs, Inc., "GoPro—Suction Cup Mount," 2 pages, Archived on Webarchive.org on May 18, 2012, [online] [Retrieved on Jan. 9, 2013] Retrieved from the internet <URL:<http://web-beta.archive.org/web/20120518223156/http://gopro.com/camera-mounts/suction-cup-mount/>>.  
 GoPro Suction Cup Mount for Hero Camera. [online] First available Oct. 21, 2012, 2 pages, Retrieved on Apr. 3, 2013 from URL:<[www.amazon.com/GoPro-Suction-Mount-HERO-Cameras](http://www.amazon.com/GoPro-Suction-Mount-HERO-Cameras)>.

\* cited by examiner

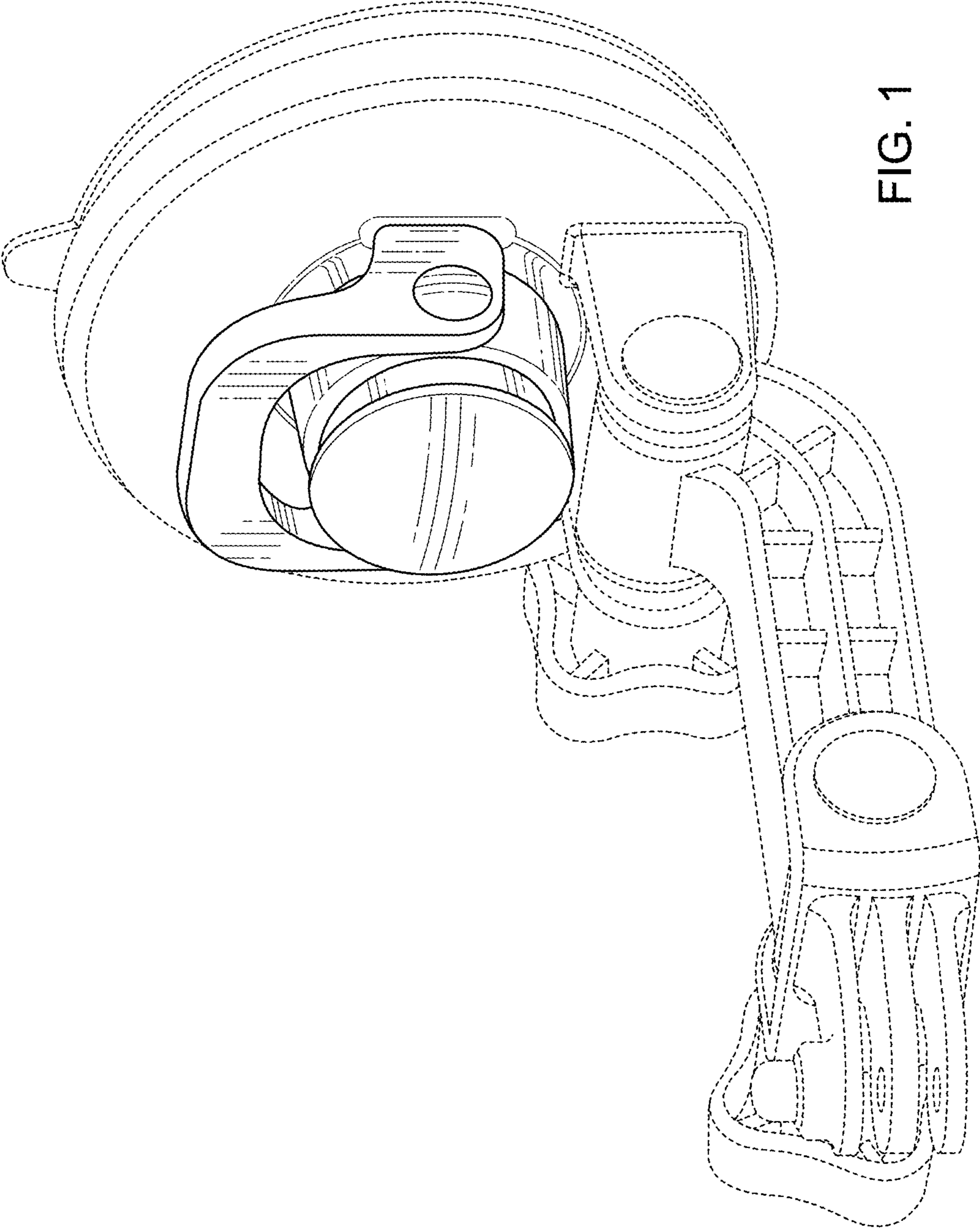


FIG. 1

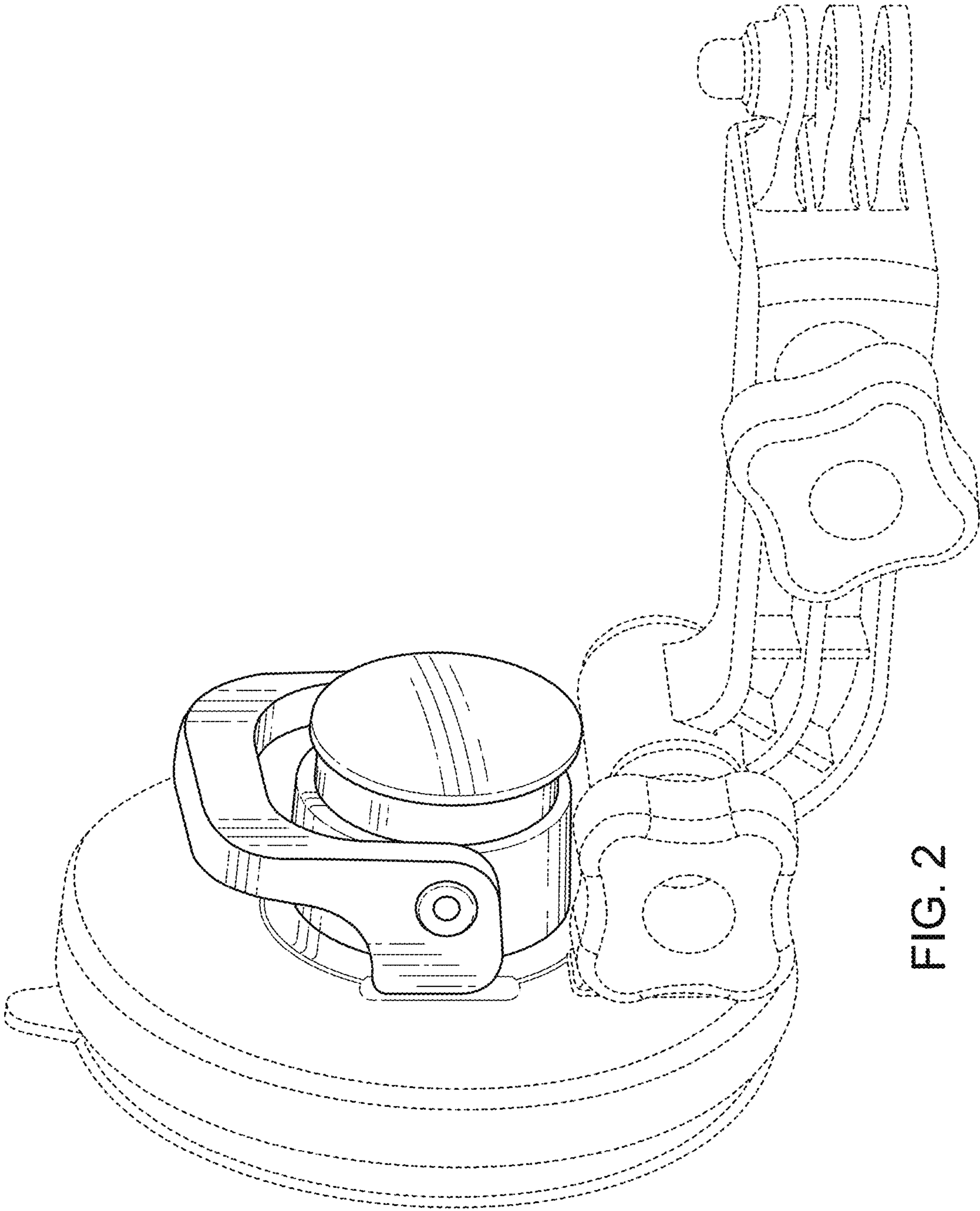


FIG. 2

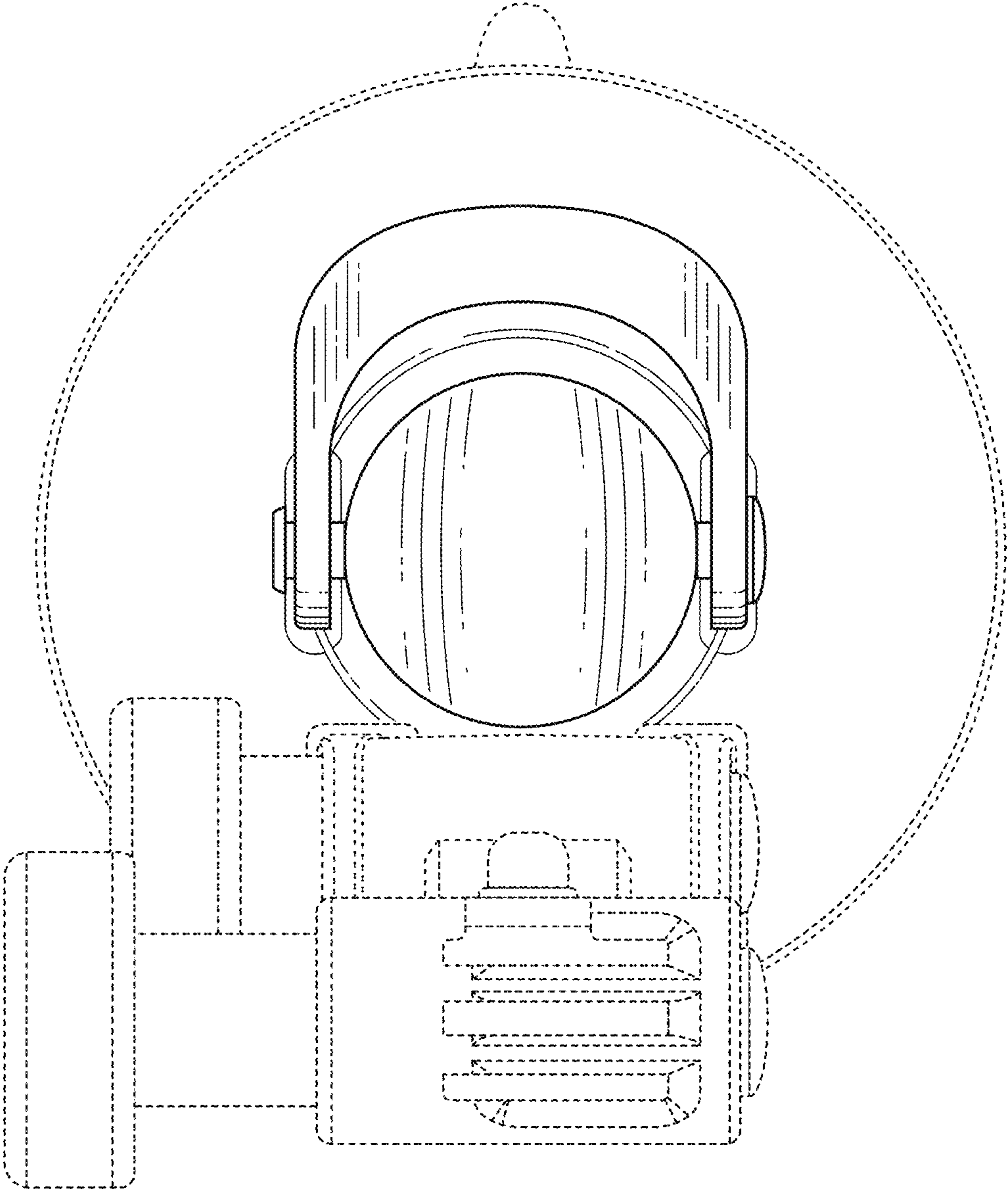


FIG. 3

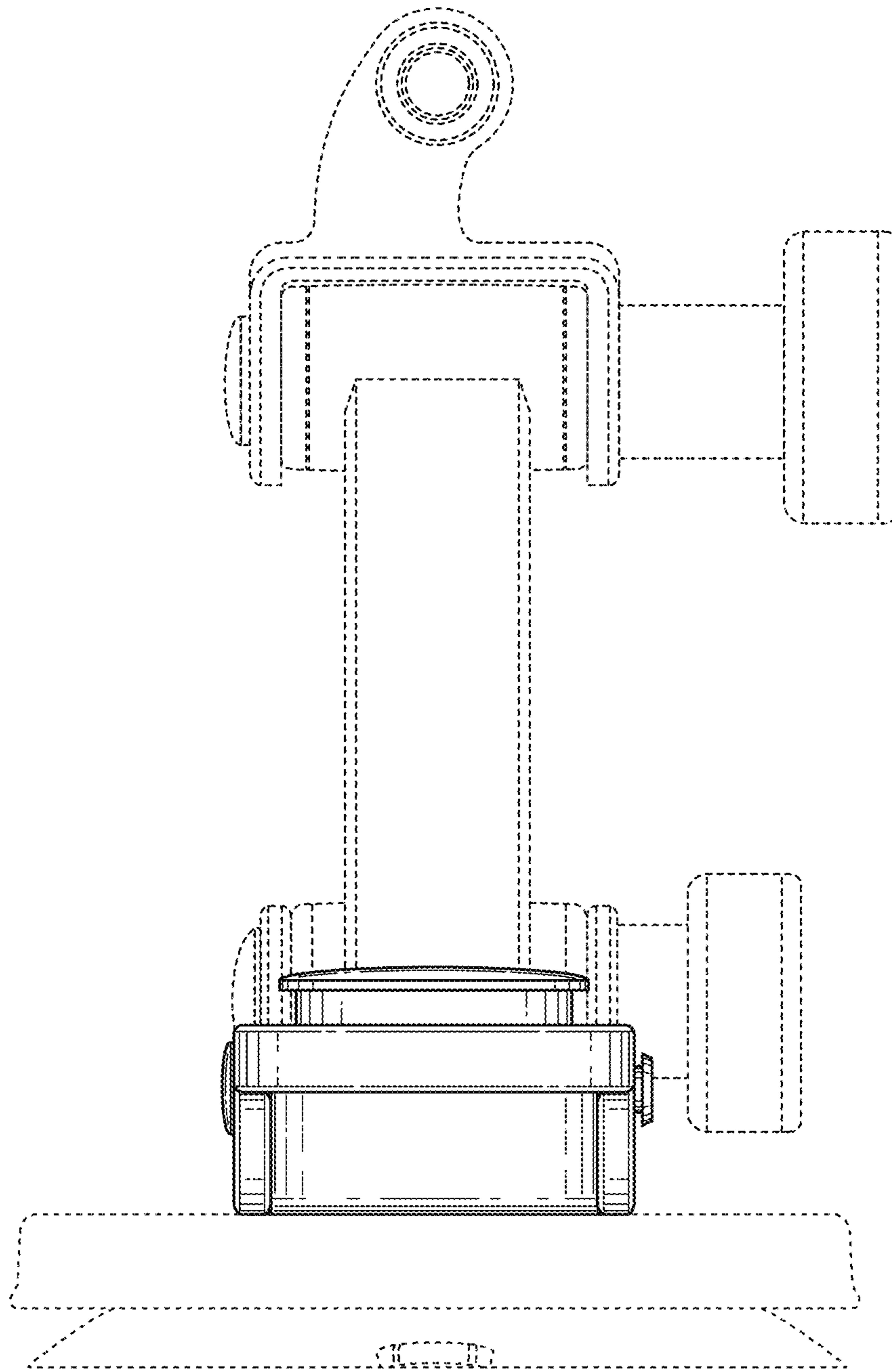


FIG. 4

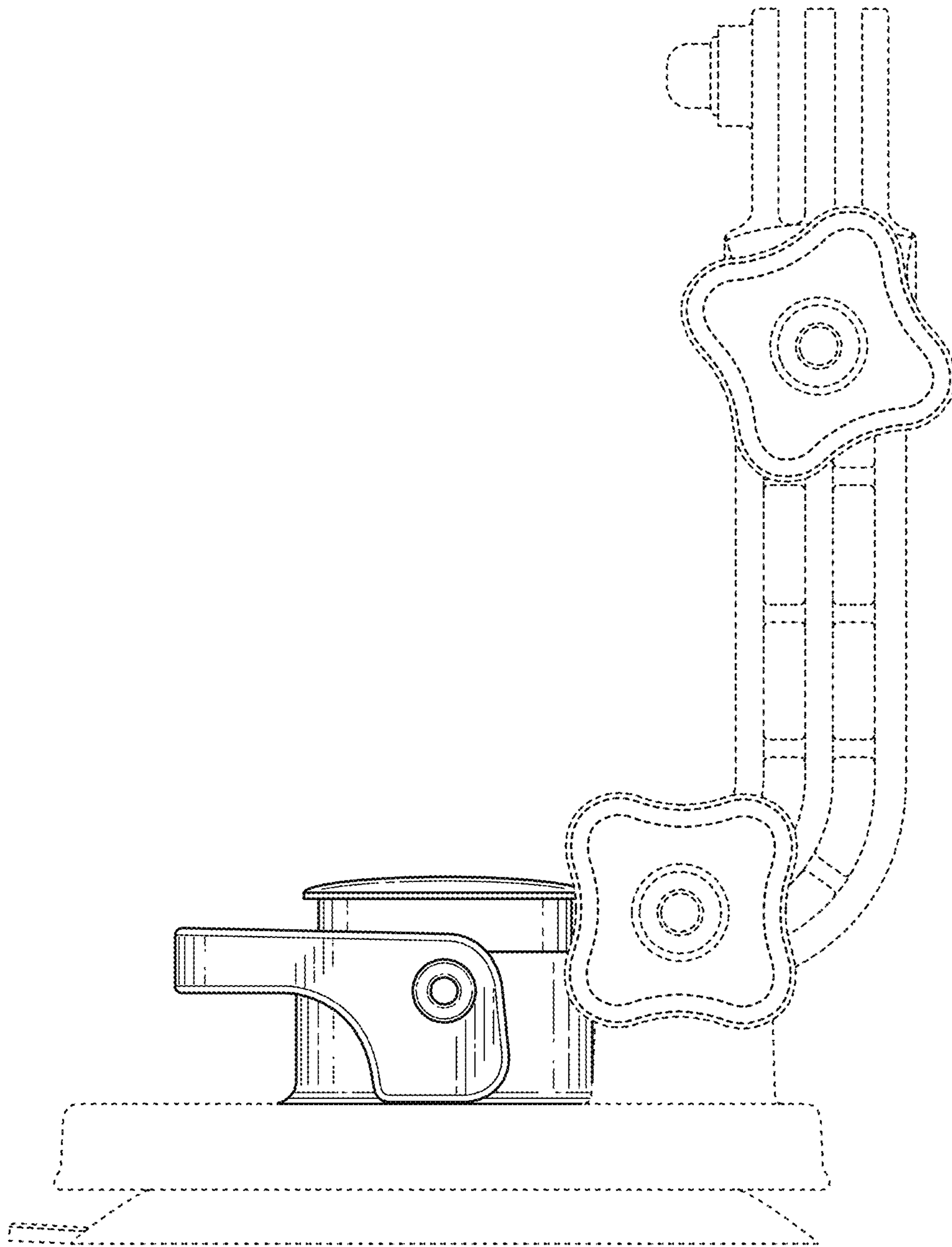


FIG. 5

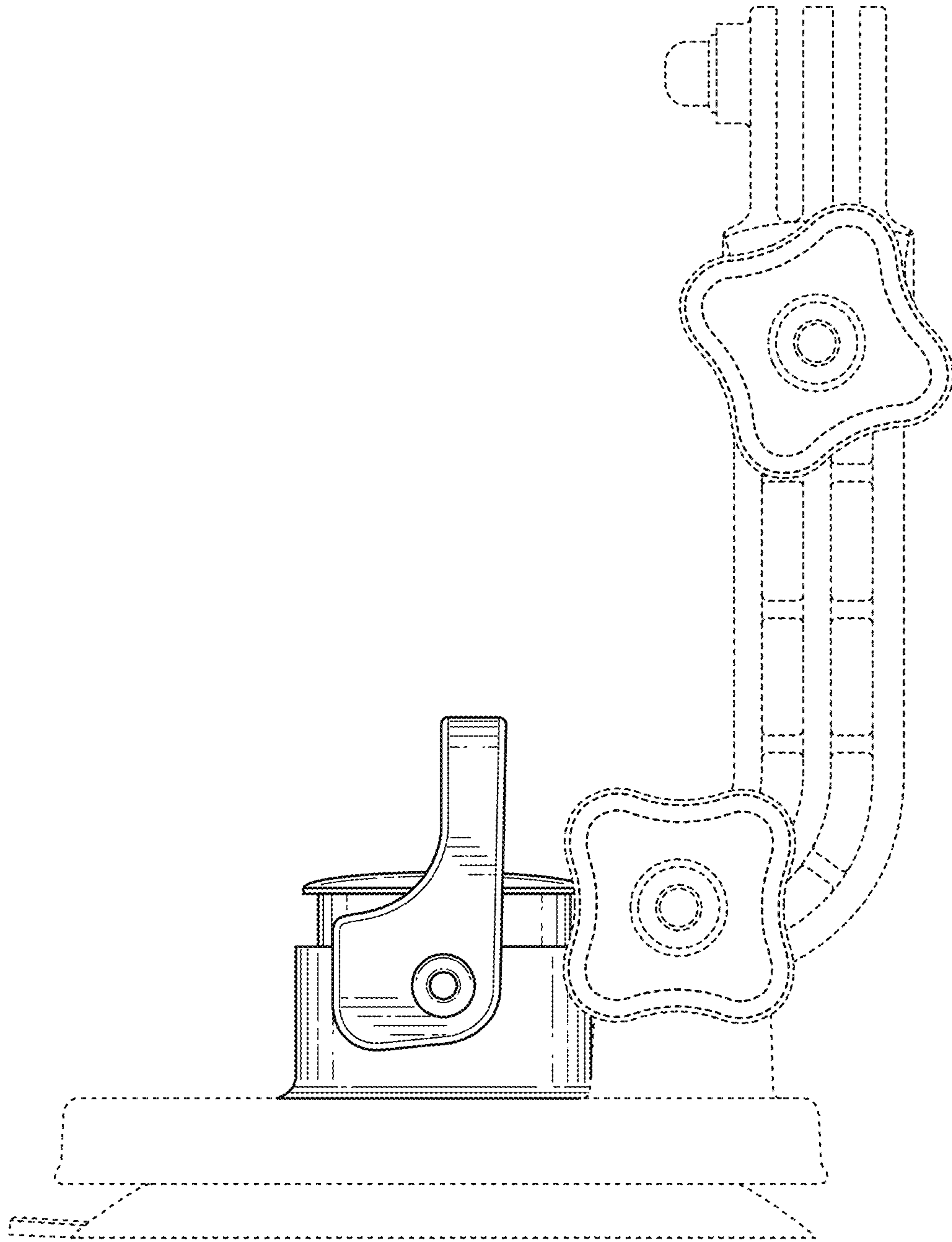


FIG. 6



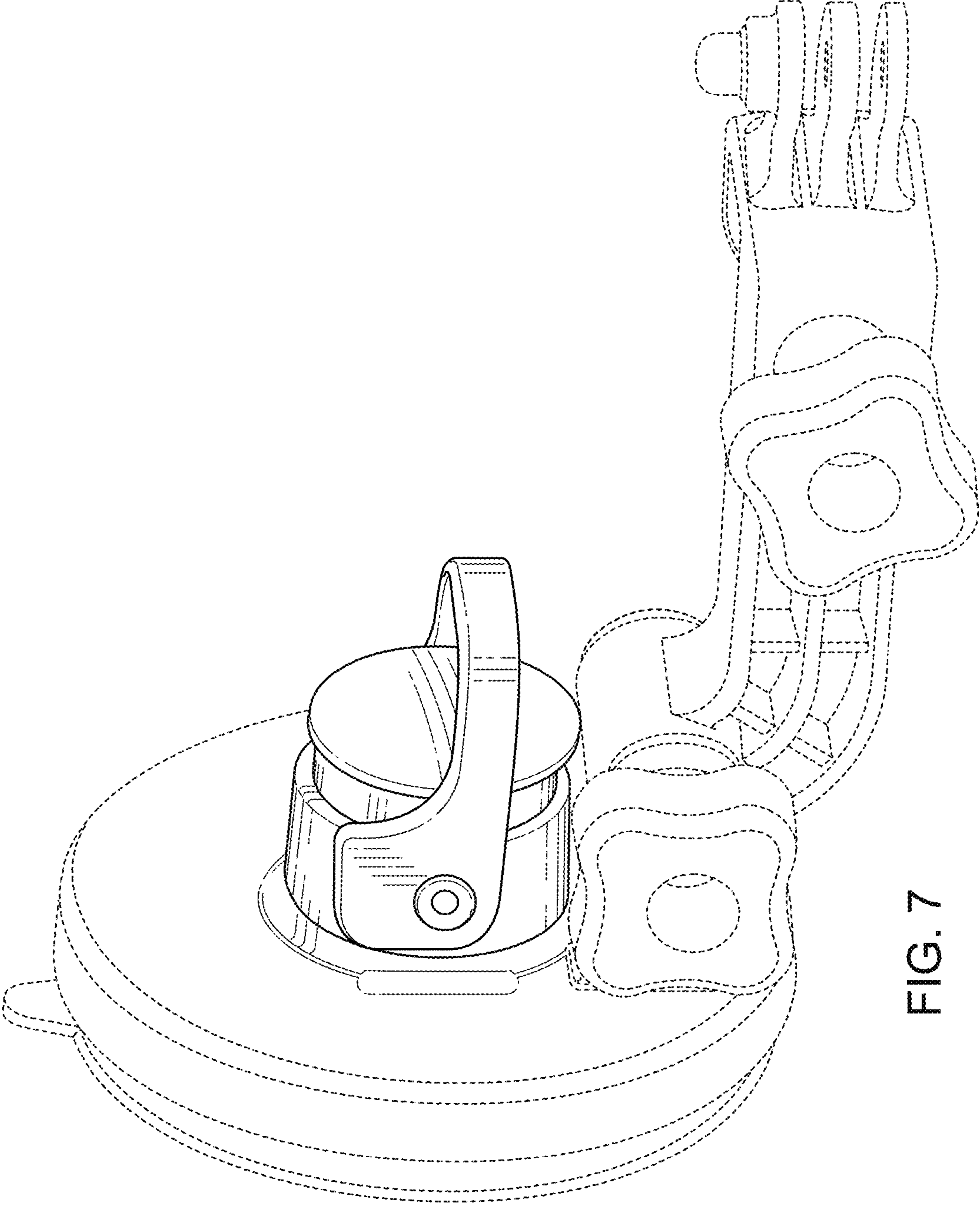


FIG. 7