



US00D771733S

(12) **United States Design Patent** (10) **Patent No.:** **US D771,733 S**
Wang et al. (45) **Date of Patent:** **** Nov. 15, 2016**

(54) **PLATFORM**

(71) Applicant: **SZ DJI TECHNOLOGY CO., LTD.**,
Shenzhen (CN)
(72) Inventors: **Zhen Wang**, Shenzhen (CN); **Kun Zeng**, Shenzhen (CN)
(73) Assignee: **SZ DJI Technology Co., Ltd.**,
Shenzhen (CN)

(**) Term: **15 Years**

(21) Appl. No.: **29/527,049**

(22) Filed: **May 15, 2015**

(51) **LOC (10) Cl.** **16-05**

(52) **U.S. Cl.**
USPC **D16/242**

(58) **Field of Classification Search**
USPC D16/237, 242–245, 202, 203, 241, 207;
D8/354, 355, 363; 396/419, 420, 428;
D12/114, 223
CPC F16M 11/14; F16M 11/041; F16M 11/04;
F16M 11/2078; F16M 11/28; F16M 11/2021;
F16M 11/12; F16M 11/10; F16M 2200/022;
F16M 2200/027; F16M 13/00; F16M 13/02;
F16M 13/022; G03B 17/561; G03B 17/566;
G03B 17/563; G03B 2215/056; B60R
2011/0059; B60R 2011/008; B60R 11/02
See application file for complete search history.

(56) **References Cited**

U.S. PATENT DOCUMENTS

7,241,060 B2 * 7/2007 Mootz F16M 11/04
248/187.1
D566,530 S * 4/2008 Brassard D8/363
D566,648 S * 4/2008 Lee D8/354
D585,926 S * 2/2009 Su D16/203
D588,903 S * 3/2009 Carnevali D8/355
D616,913 S * 6/2010 Lee D16/245
D634,346 S * 3/2011 Park D16/203
D688,726 S * 8/2013 Samuels D16/242

(Continued)

Primary Examiner — Susan Bennett Hattan
Assistant Examiner — Brett Miller
(74) *Attorney, Agent, or Firm* — Sterne, Kessler,
Goldstein & Fox P.L.L.C.

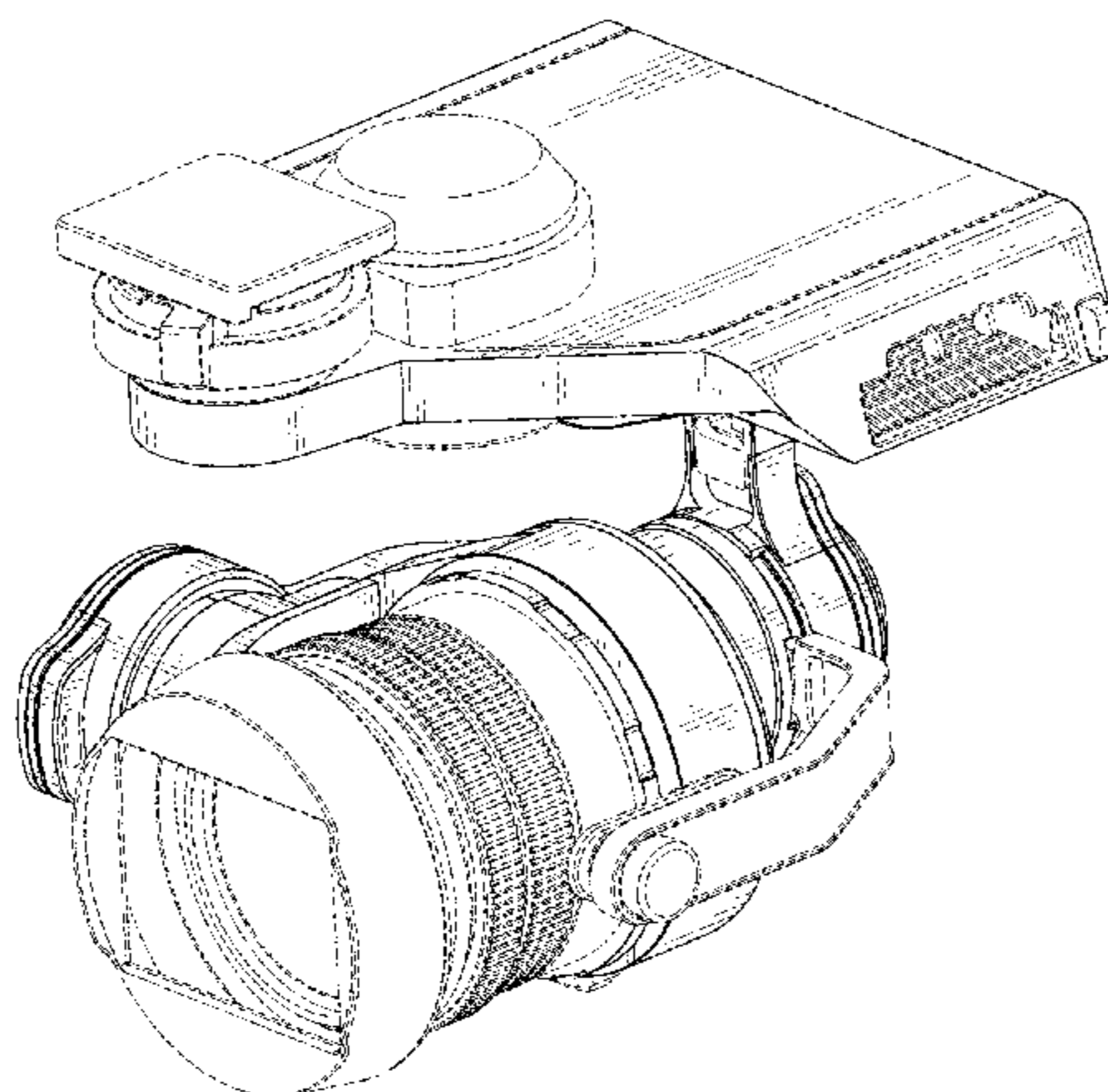
(57) **CLAIM**

The ornamental design of a platform, as shown and described.

DESCRIPTION

FIG. 1 is a perspective view of a first embodiment of a platform showing our design.
FIG. 2 is a front elevational view of the first embodiment of the platform of FIG. 1.
FIG. 3 is a rear elevational view of the first embodiment of the platform of FIG. 1.
FIG. 4 is a left-side elevational view of the first embodiment of the platform of FIG. 1.
FIG. 5 is a right-side elevational view of the first embodiment of the platform of FIG. 1.
FIG. 6 is a top plan view of the first embodiment of the platform of FIG. 1.
FIG. 7 is a bottom plan view of the first embodiment of the platform of FIG. 1.
FIG. 8 is a perspective view of a second embodiment of a platform showing our design, the platform employing a camera.
FIG. 9 is a front elevational view of the second embodiment of the platform of FIG. 8.
FIG. 10 is a rear elevational view of the second embodiment of the platform of FIG. 8.
FIG. 11 is a left-side elevational view of the second embodiment of the platform of FIG. 8.
FIG. 12 is a right-side elevational view of the second embodiment of the platform of FIG. 8.
FIG. 13 is a top plan view of the second embodiment of the platform of FIG. 8; and,
FIG. 14 is a bottom plan view of the second embodiment of the platform of FIG. 8.
The broken lines shown are included for the purpose of illustrating environmental structure that forms no part of the claimed design.

1 Claim, 14 Drawing Sheets



US D771,733 S

Page 2

(56)

References Cited

U.S. PATENT DOCUMENTS

8,602,277 B2 *	12/2013	Lee	F16M 13/022	224/282
D718,612 S *	12/2014	McSweyn	D8/363	
D732,601 S *	6/2015	Coyle	D16/237	
D736,068 S *	8/2015	Taylor	D8/355	
D738,951 S *	9/2015	Coyle	D16/237	
D754,242 S *	4/2016	Wang	D16/242	
2004/0223078 A1 *	11/2004	Zadok	F16M 13/00	348/375
2008/0210025 A1 *	9/2008	Goossen	F16M 11/04	74/5.34
2015/0370148 A1 *	12/2015	Battaglia	F16M 11/10	396/428

* cited by examiner

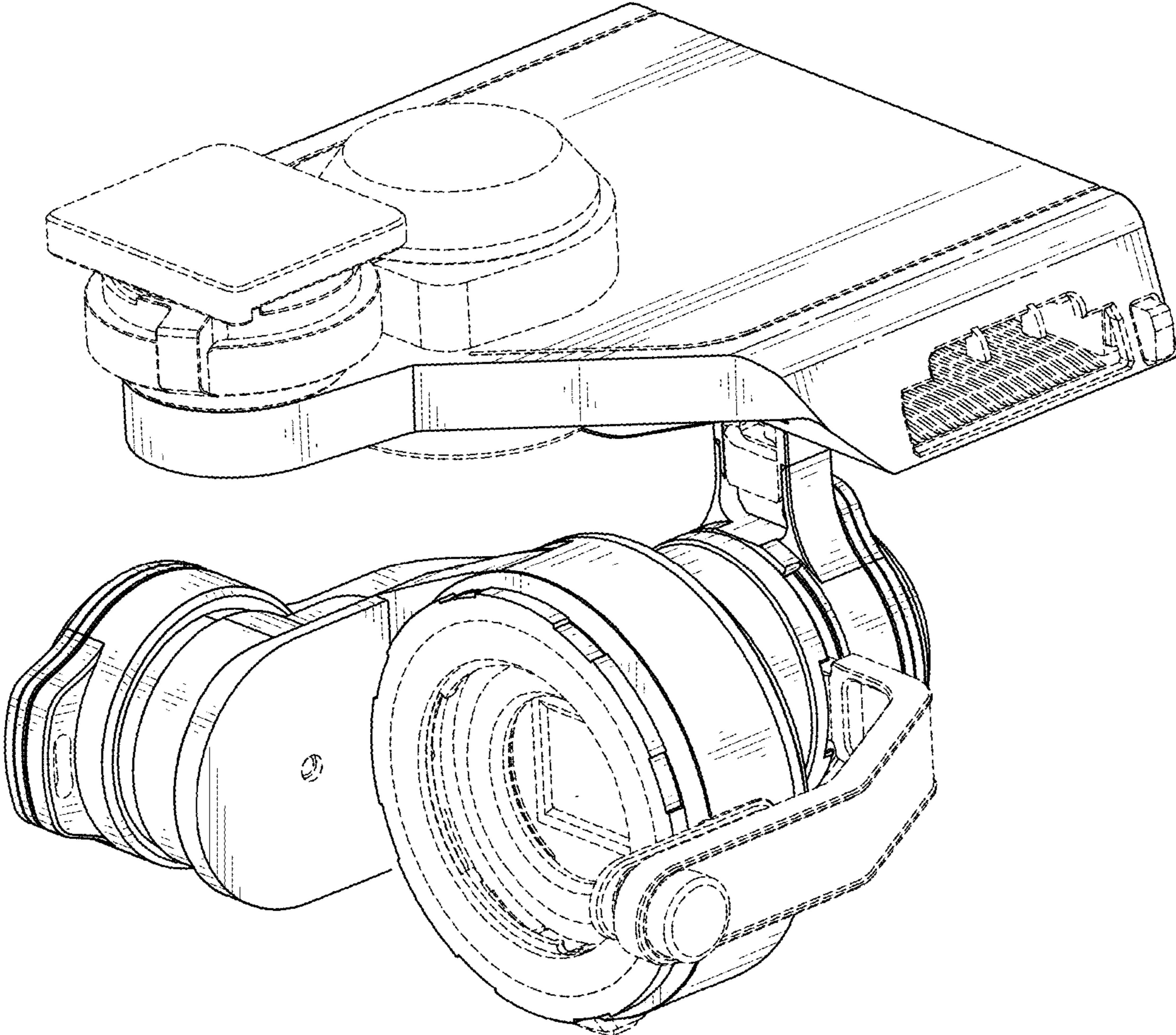


FIG. 1

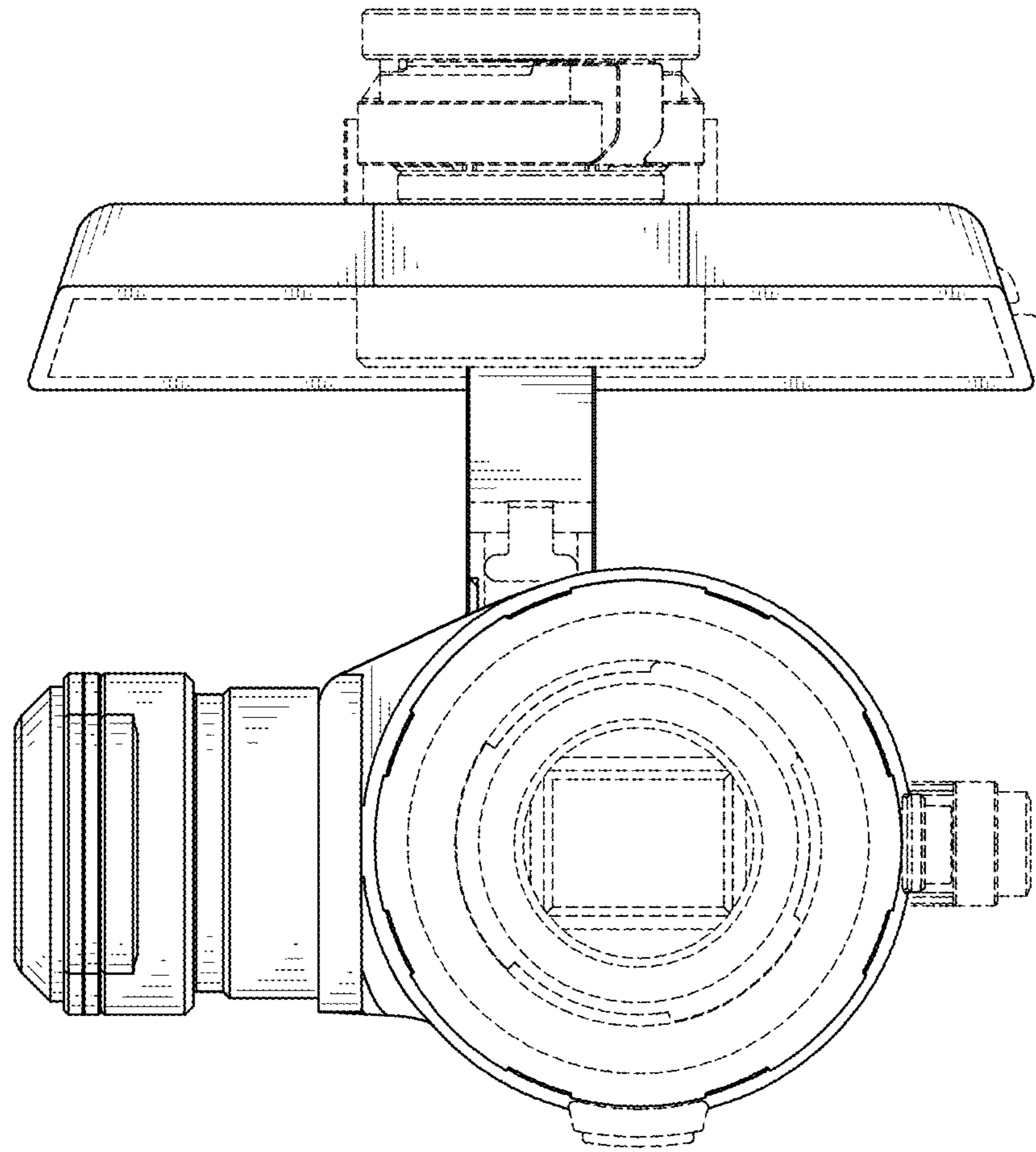


FIG. 2

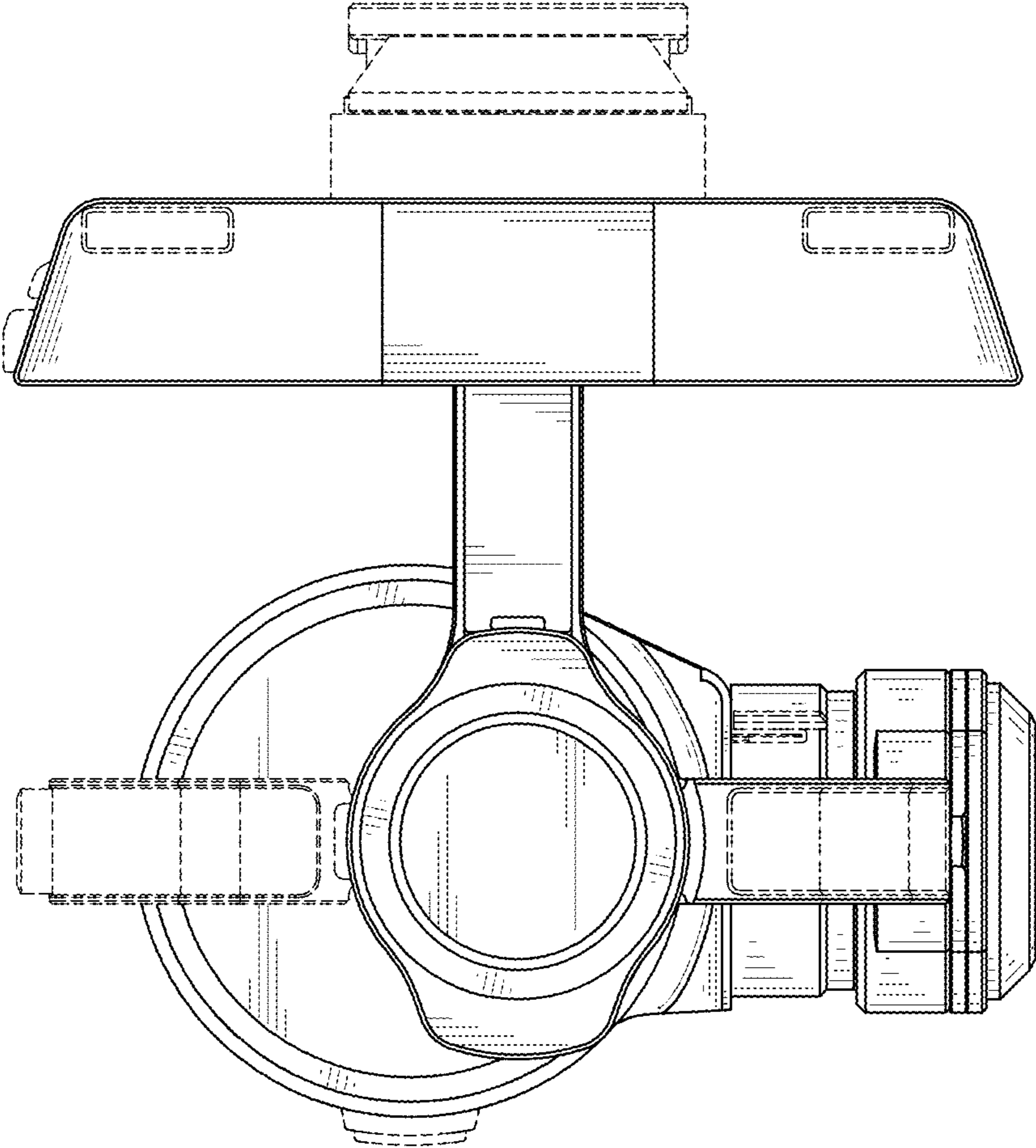


FIG. 3

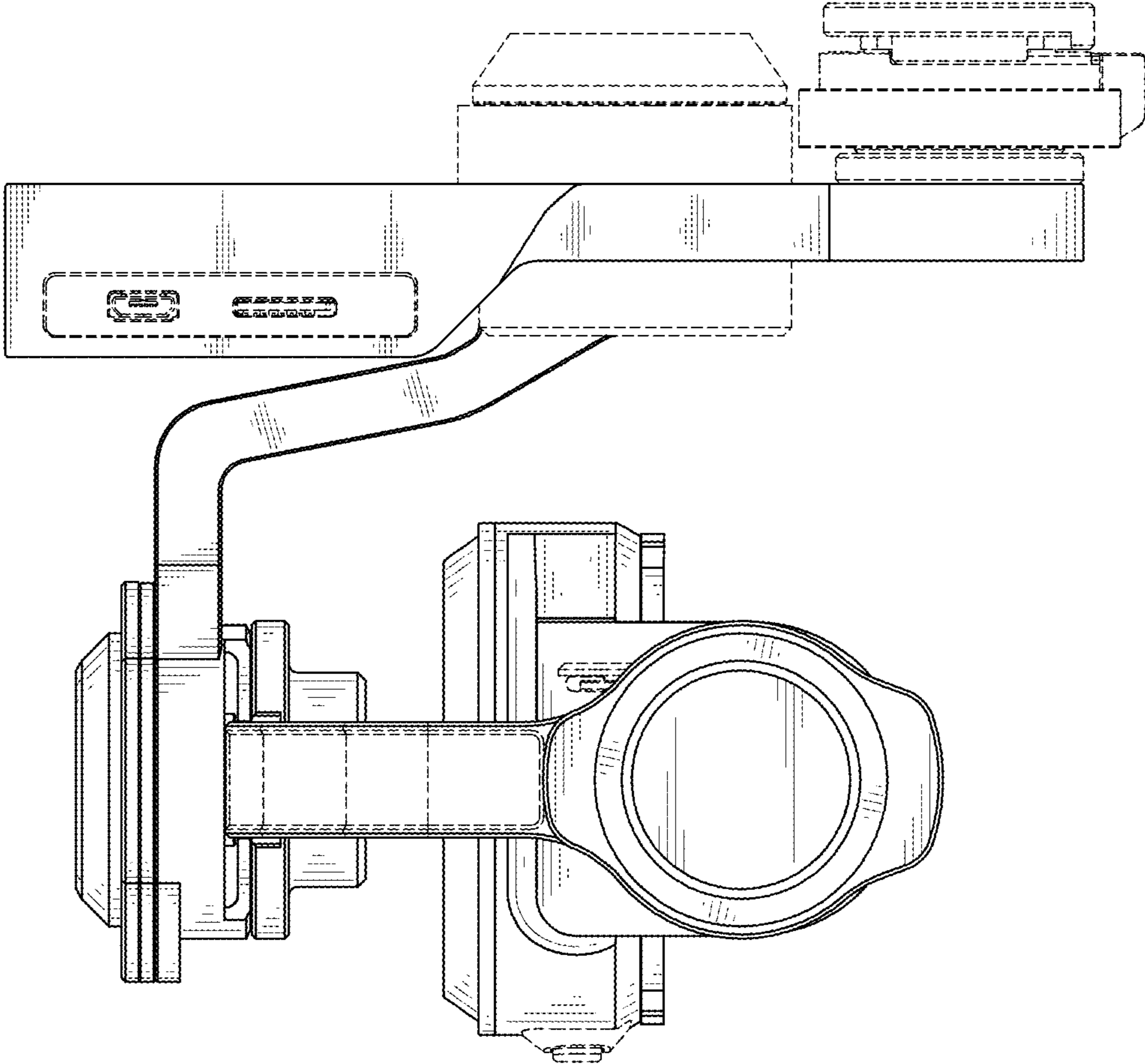


FIG. 4

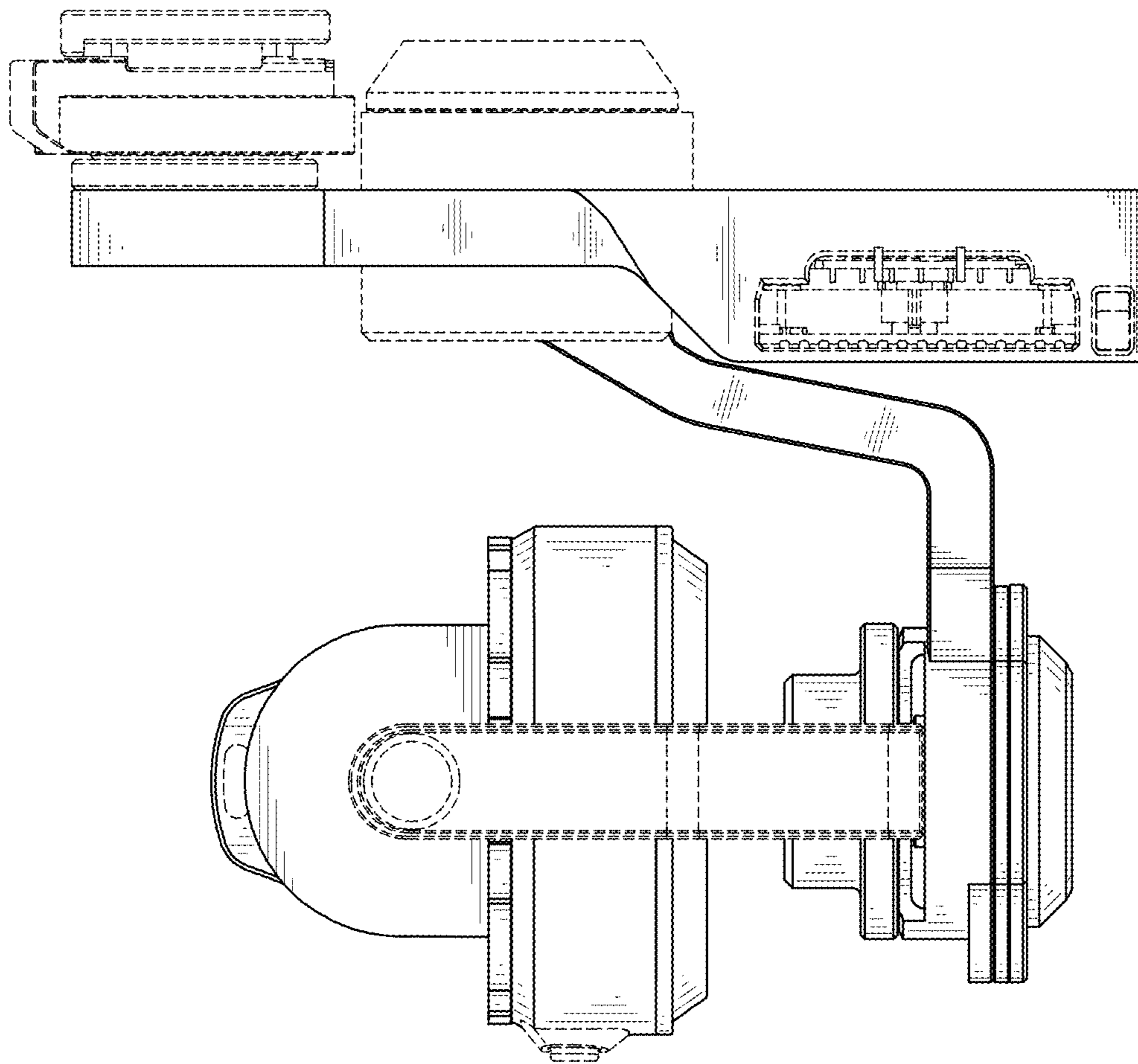


FIG. 5

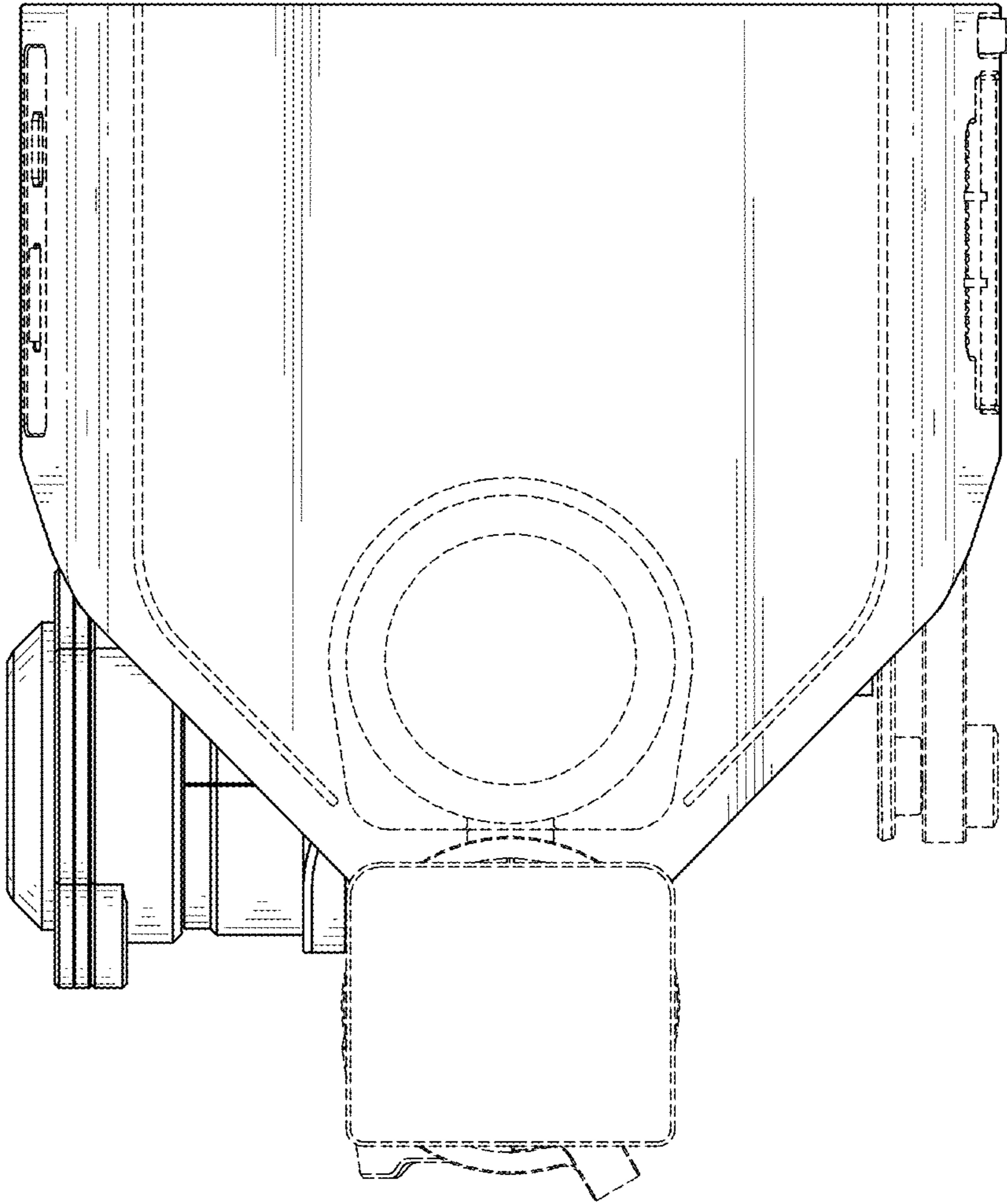


FIG. 6

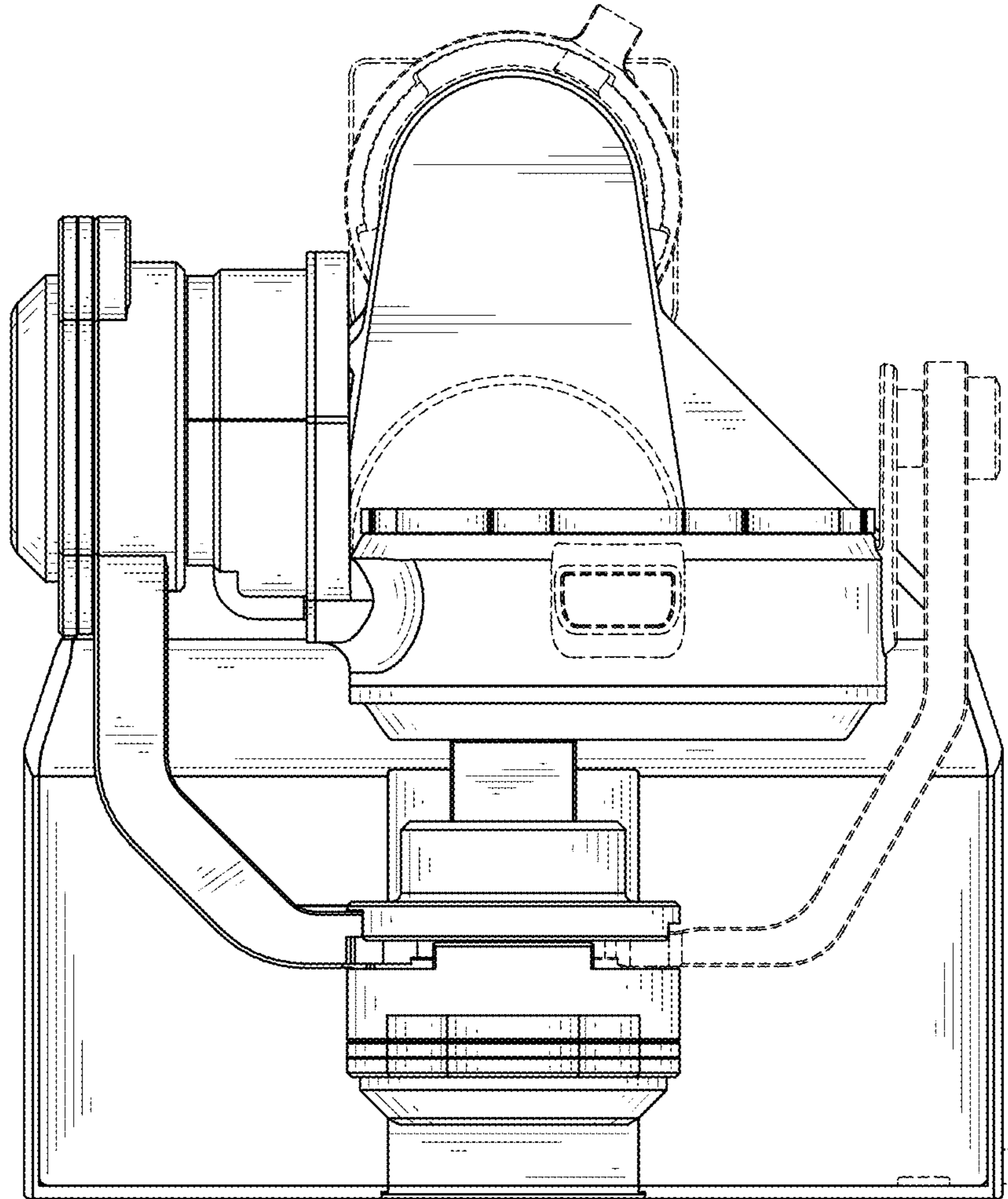


FIG. 7

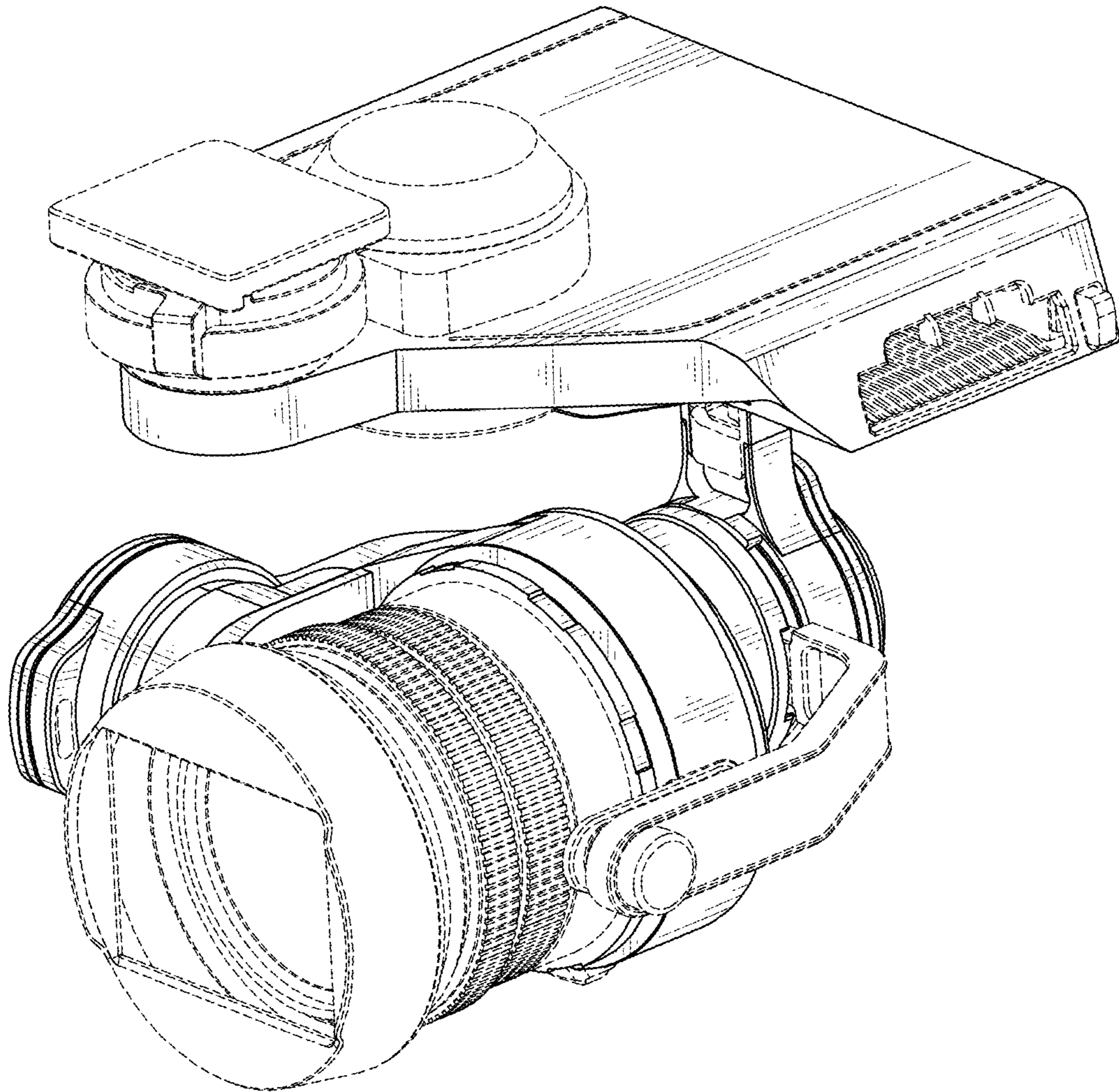


FIG. 8

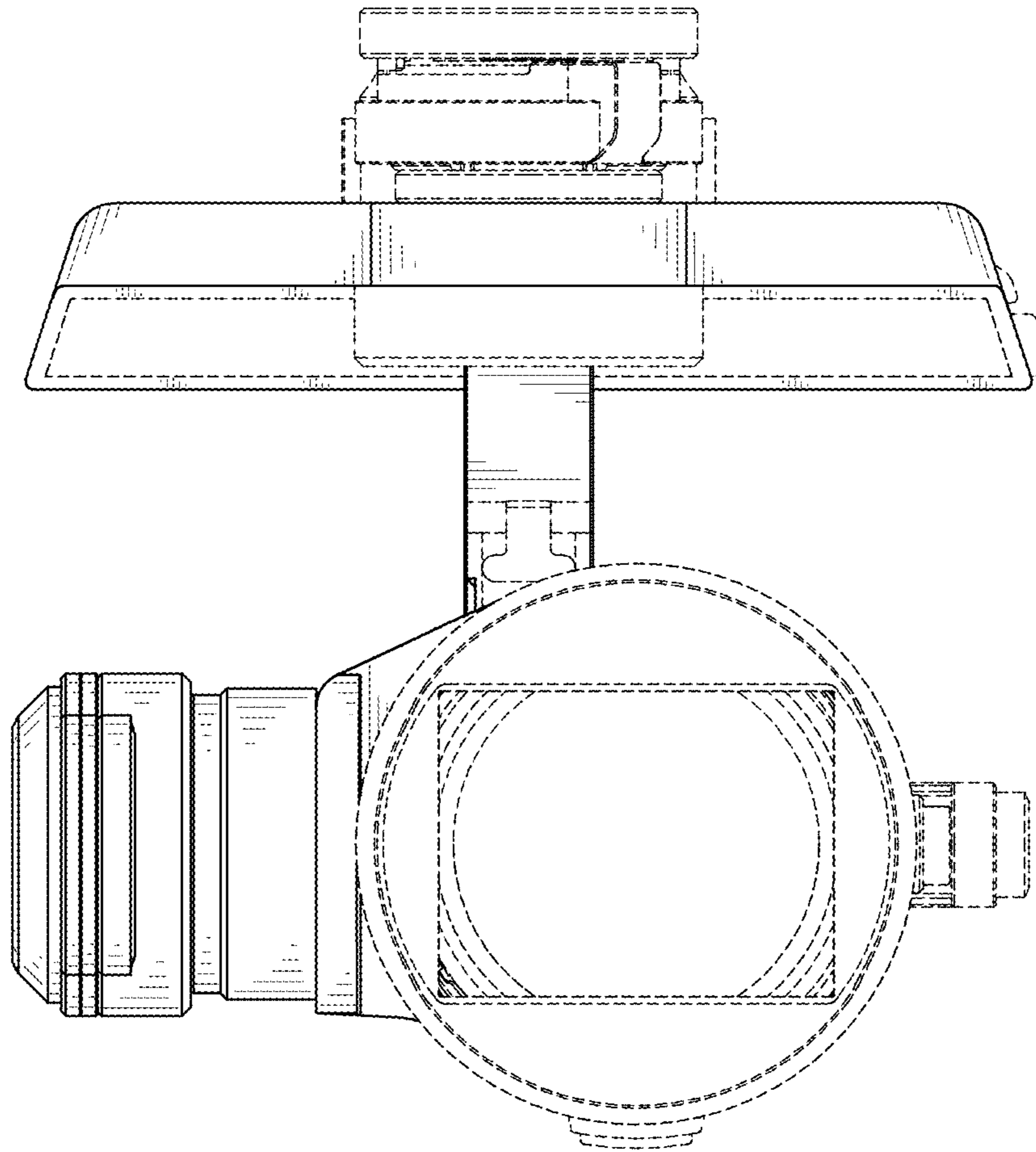


FIG. 9

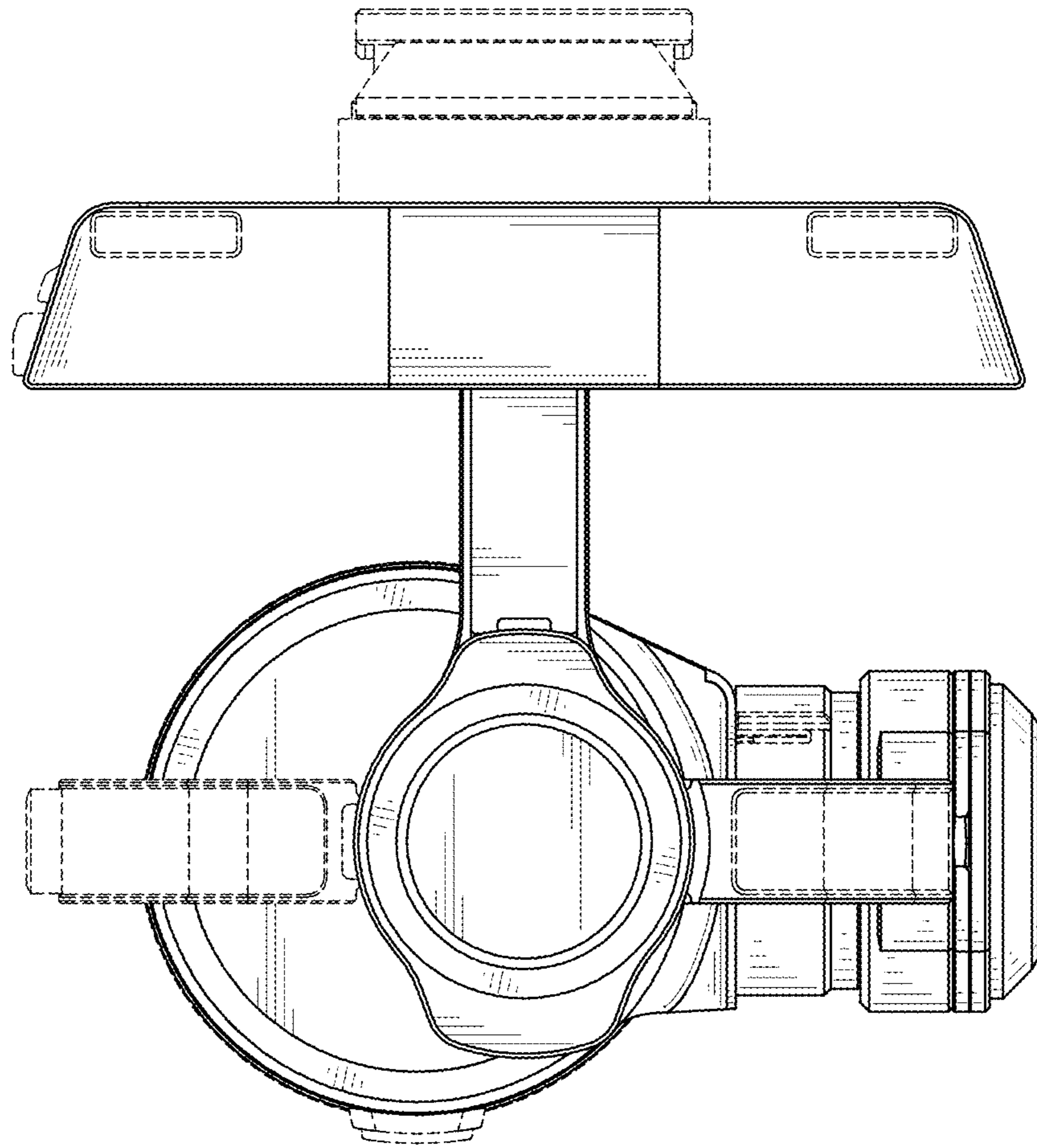


FIG. 10

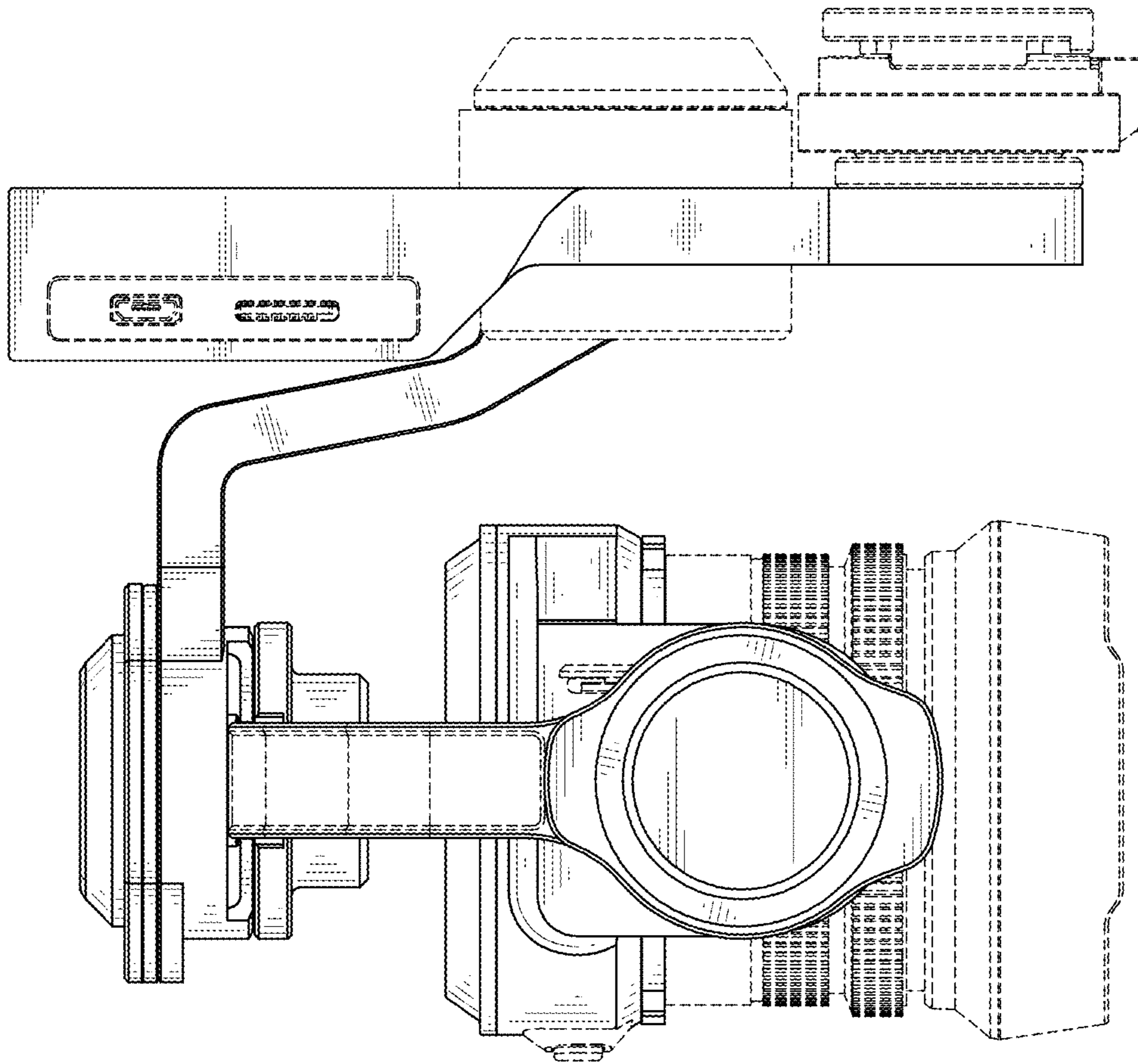


FIG. 11

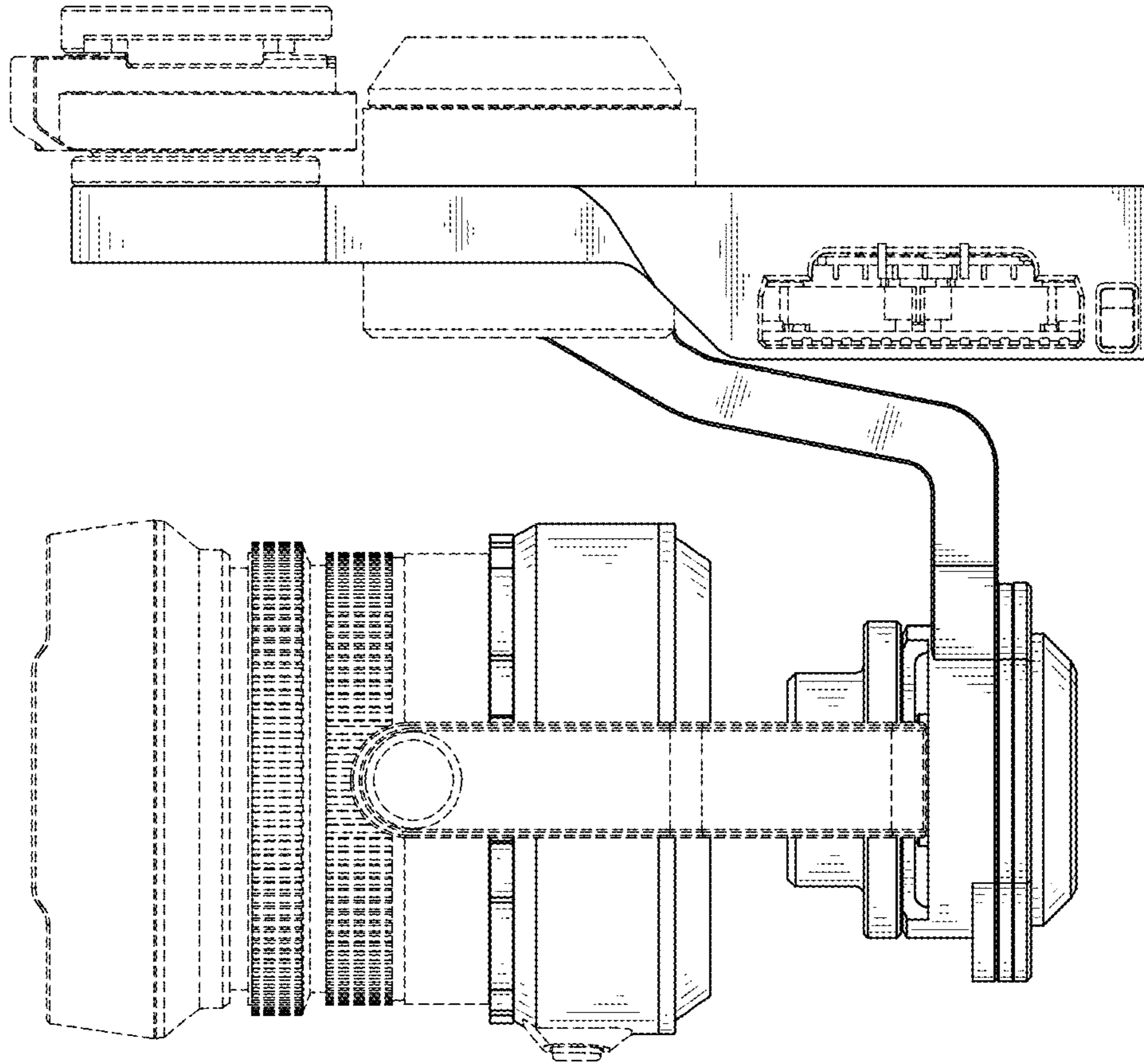


FIG. 12

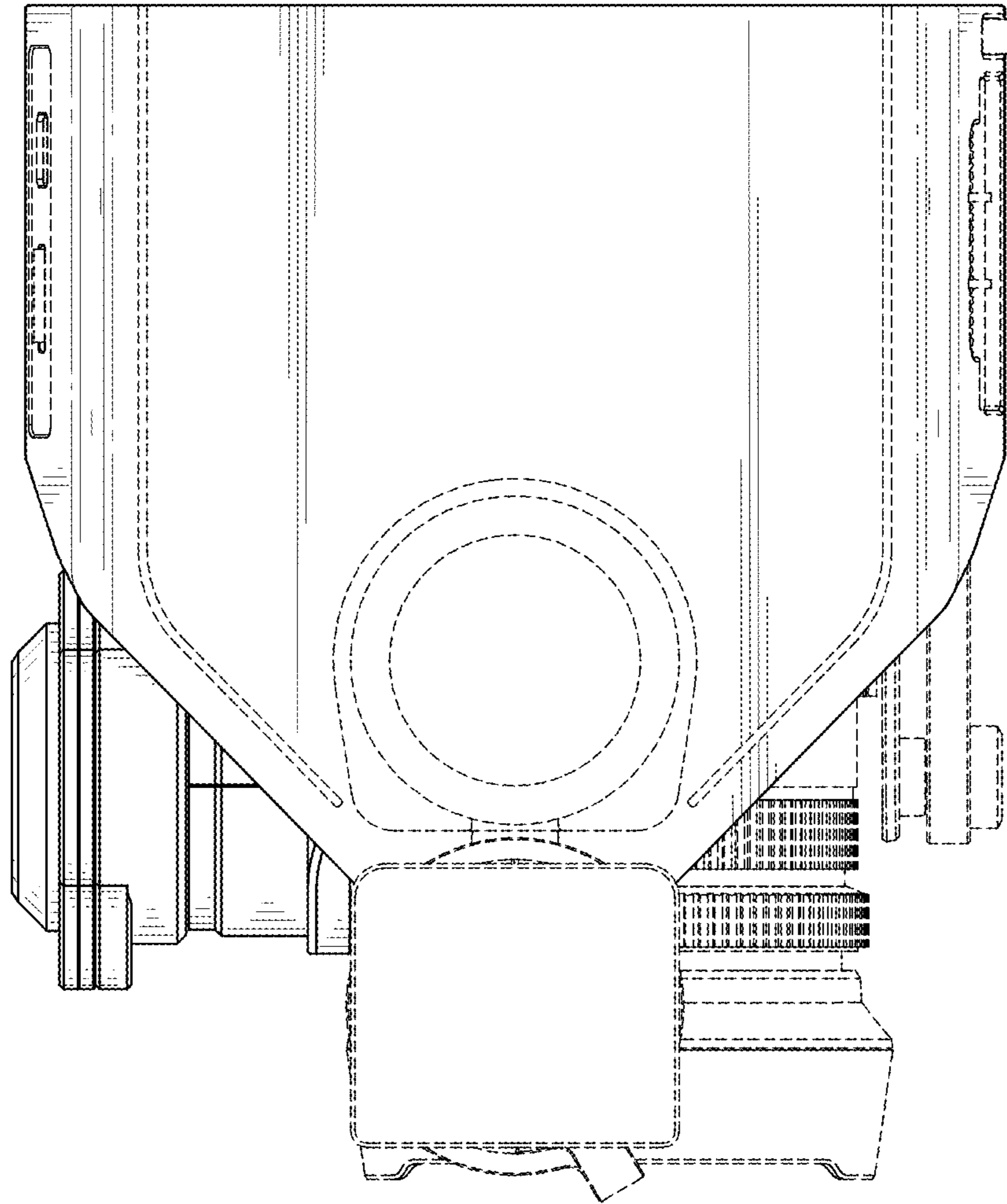


FIG. 13

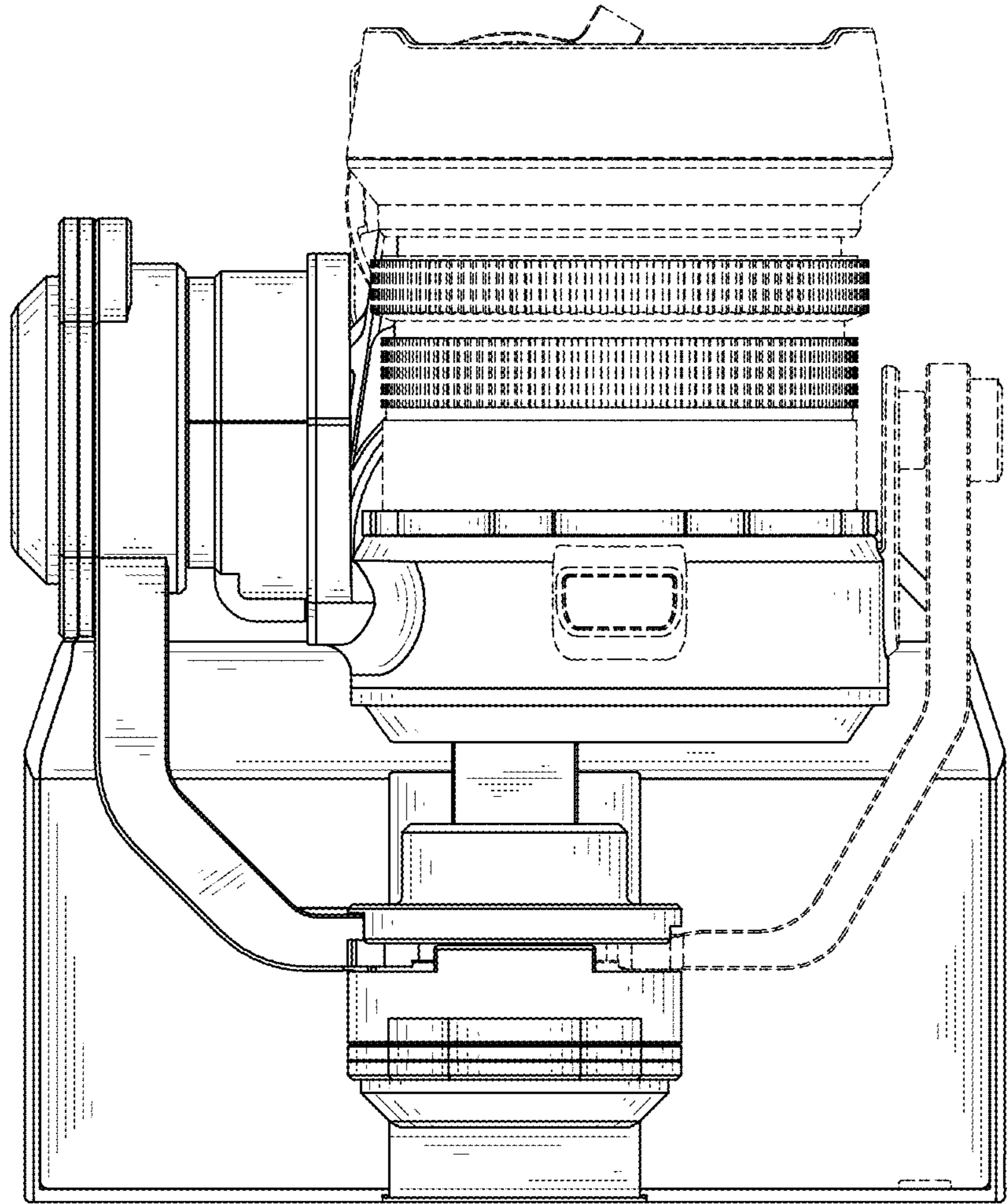


FIG. 14