



US00D771732S

(12) **United States Design Patent**
Russell

(10) **Patent No.:** **US D771,732 S**
(45) **Date of Patent:** **** Nov. 15, 2016**

(54) **OPTICAL PHONE MOUNT**

(71) Applicant: **Robert Russell**, Sikeston, MO (US)

(72) Inventor: **Robert Russell**, Sikeston, MO (US)

(**) Term: **14 Years**

(21) Appl. No.: **29/509,642**

(22) Filed: **Nov. 19, 2014**

(51) **LOC (10) Cl.** **16-05**

(52) **U.S. Cl.**

USPC **D16/242**; D14/253; D22/109

(58) **Field of Classification Search**

USPC D14/253, 251, 252, 447, 451, 452, 440,
D14/434, 458, 432, 439, 457, 460, 238.1,
D14/140, 142, 149, 217, 148, 140.8, 140.11,
D14/209.1, 151, 140.9, 250; D13/107, 108;
D12/415, 223, 114, 420, 417, 407,
D12/177; D3/218; D16/242-245, 250, 237,
D16/203, 214, 219; D6/675, 672, 673,
D6/675.4, 553, 676, 310, 406.3, 406.4,
D6/406.5, 406.6, 407; D22/109, 110
CPC B60R 2011/0008; B60R 11/02; B60R
11/0241; B60R 11/0258; B60R 11/0252;
B60R 2011/0294; F16M 11/00; F16M 11/04;
F16M 11/041; F16M 11/02; F16M 11/06;
F16M 13/00; H04M 1/02; H04M 1/04;
H04M 1/11; H04M 1/12; A47F 7/022;
B62J 11/00; H05K 7/00; G03B 17/56
See application file for complete search history.

(56) **References Cited**

U.S. PATENT DOCUMENTS

2,933,992 A 4/1960 Bushnell et al.
3,940,777 A 2/1976 Komine
4,013,339 A 3/1977 Ando et al.
4,078,864 A 3/1978 Howell
4,290,219 A 9/1981 Boller et al.
4,409,475 A 10/1983 Zehnpfennig
4,815,822 A 3/1989 Bramhall
D308,089 S * 5/1990 Sanders D16/130

5,026,158 A 6/1991 Golubic
D381,059 S * 7/1997 Simpson D22/109
6,019,326 A 2/2000 Baerwolf et al.
6,819,495 B2 11/2004 Shani et al.
7,121,036 B1 10/2006 Florence et al.
7,194,204 B2 3/2007 Gordon
7,333,270 B1 2/2008 Pochapsky et al.
7,369,302 B2 5/2008 Gaber
7,379,798 B2 * 5/2008 Takeda A63B 24/00
340/427
7,614,805 B2 11/2009 Showalter

(Continued)

Primary Examiner — Susan Bennett Hattan

Assistant Examiner — Janice Hallmark

(74) *Attorney, Agent, or Firm* — Haugen Law Firm PLLP

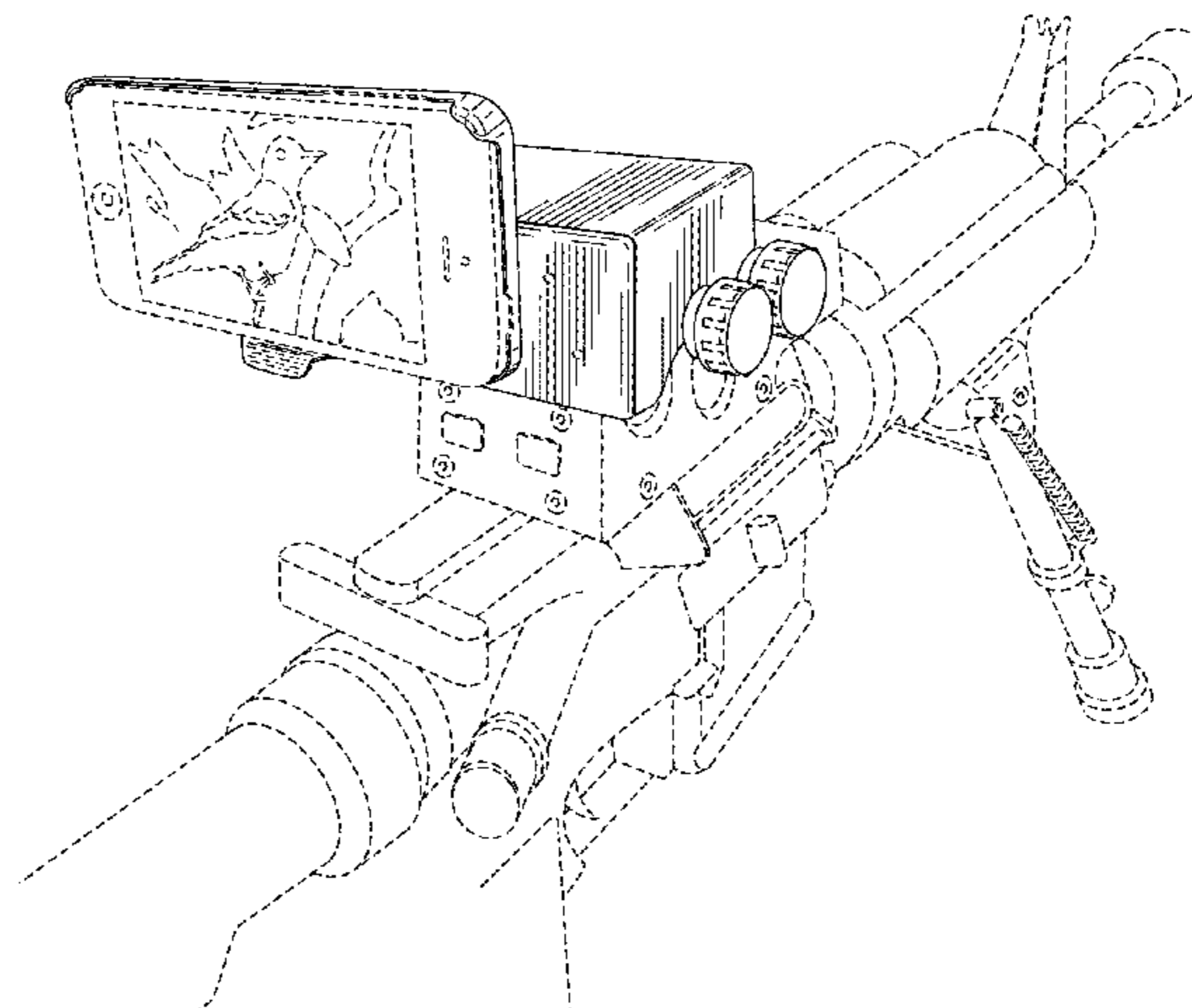
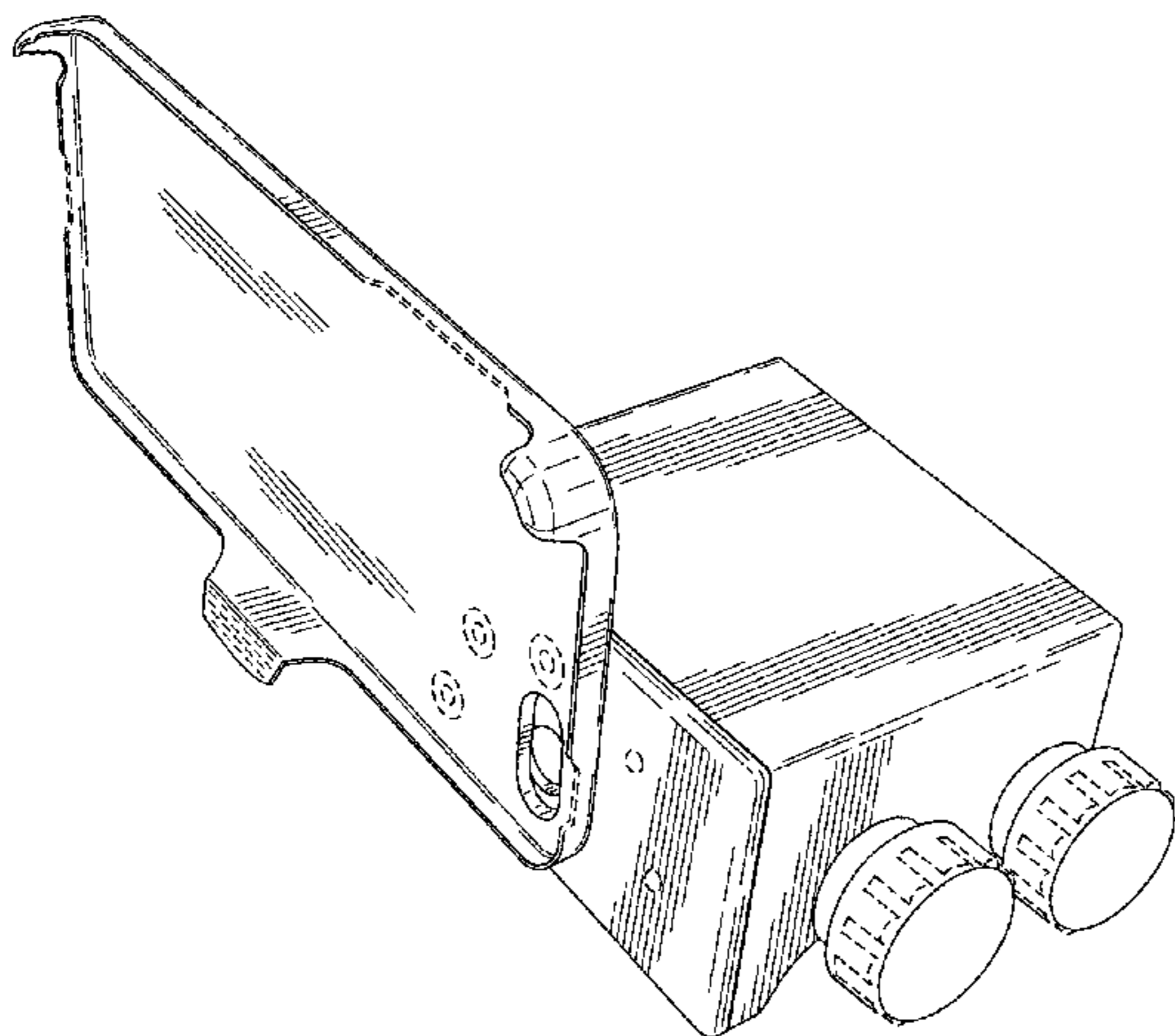
(57) **CLAIM**

The ornamental design for an optical phone mount, as shown and described.

DESCRIPTION

FIG. 1 is a back, left, perspective view of the optical phone mount of the present invention;
FIG. 2 is a top, front, plan view of the optical phone mount shown in FIG. 1;
FIG. 3 is a bottom, front, plan view of the optical phone mount shown in FIG. 1;
FIG. 4 is a right, side elevational view of the optical phone mount shown in FIG. 1;
FIG. 5 is a left, side elevational view of the optical phone mount shown in FIG. 1;
FIG. 6 is a back elevational view of the optical phone mount shown in FIG. 1;
FIG. 7 is a front elevational view of the optical phone mount shown in FIG. 1; and,
FIG. 8 is a back, left, perspective view of the optical phone mount of the present invention shown in FIG. 1 and showing the optical phone mount coupled to a rifle component and having a phone camera attached thereto.
The broken lines in the drawings depict environmental subject matter only and form no part of the claimed design.

1 Claim, 8 Drawing Sheets



(56)

References Cited

U.S. PATENT DOCUMENTS

7,739,822 B1 6/2010 Holmberg
7,891,131 B2 2/2011 Holmberg
D686,216 S * 7/2013 Hachadorian D14/447
8,643,722 B2 * 2/2014 Solida B62J 99/00
348/148
8,656,624 B2 2/2014 Holmberg
D706,274 S * 6/2014 Shubin, Sr. D14/447

D707,220 S * 6/2014 Belby D14/253
D713,140 S * 9/2014 Krupnick D3/218
D715,537 S * 10/2014 Soriano D3/218
D728,663 S * 5/2015 Russell D14/253
D737,363 S * 8/2015 Russell D16/208
9,151,571 B2 * 10/2015 Russell F41C 27/00
D757,147 S * 5/2016 Edwards D16/208
2015/0144754 A1 * 5/2015 Elharar B60R 11/0241
248/230.8

* cited by examiner

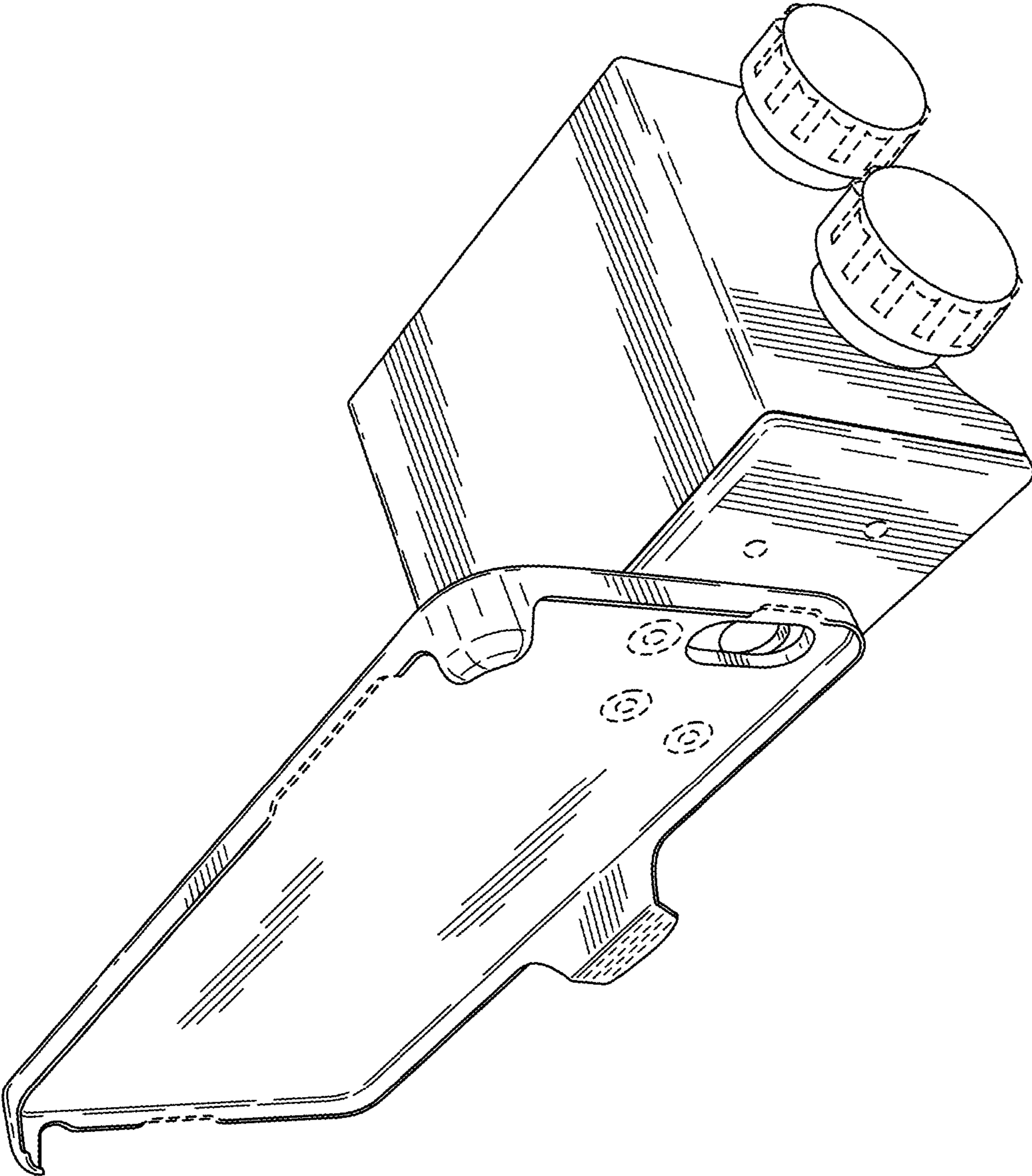


FIG. 1

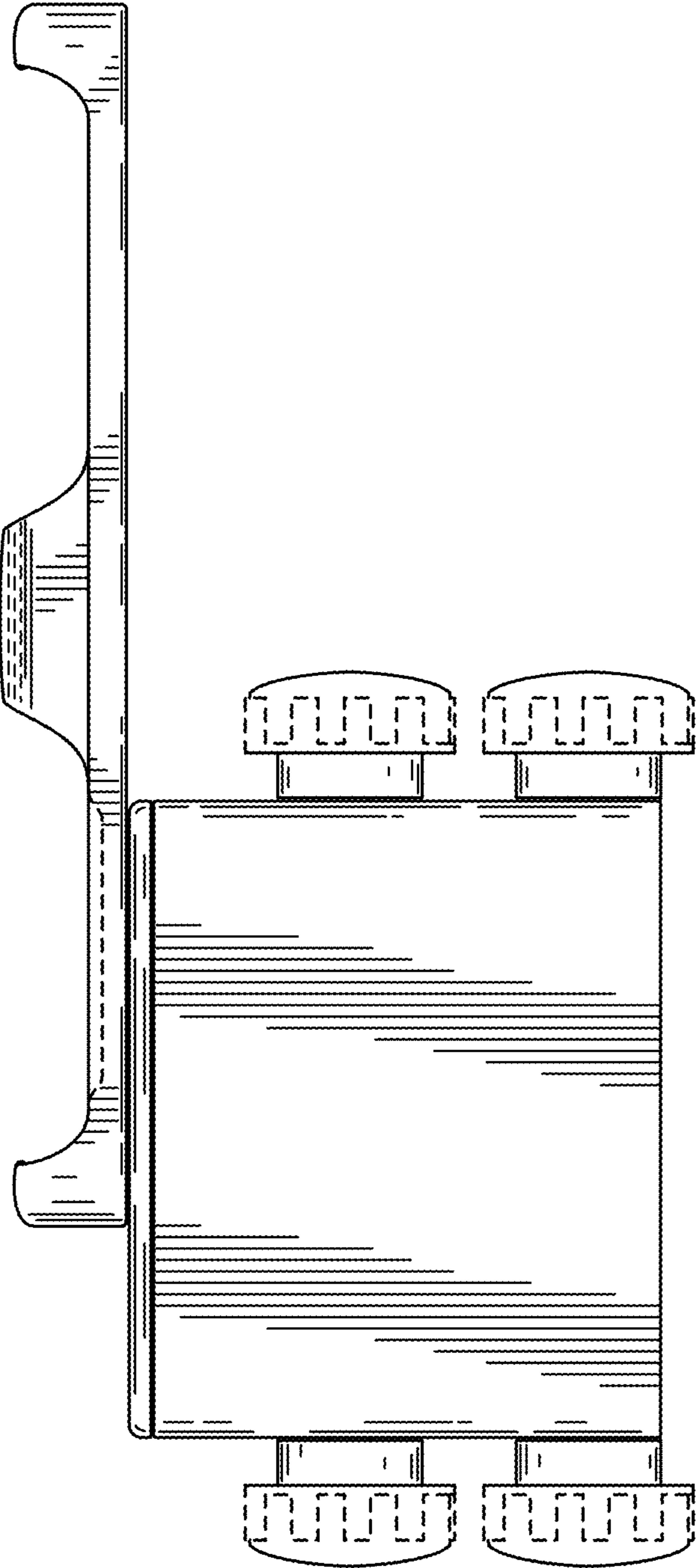


FIG. 2

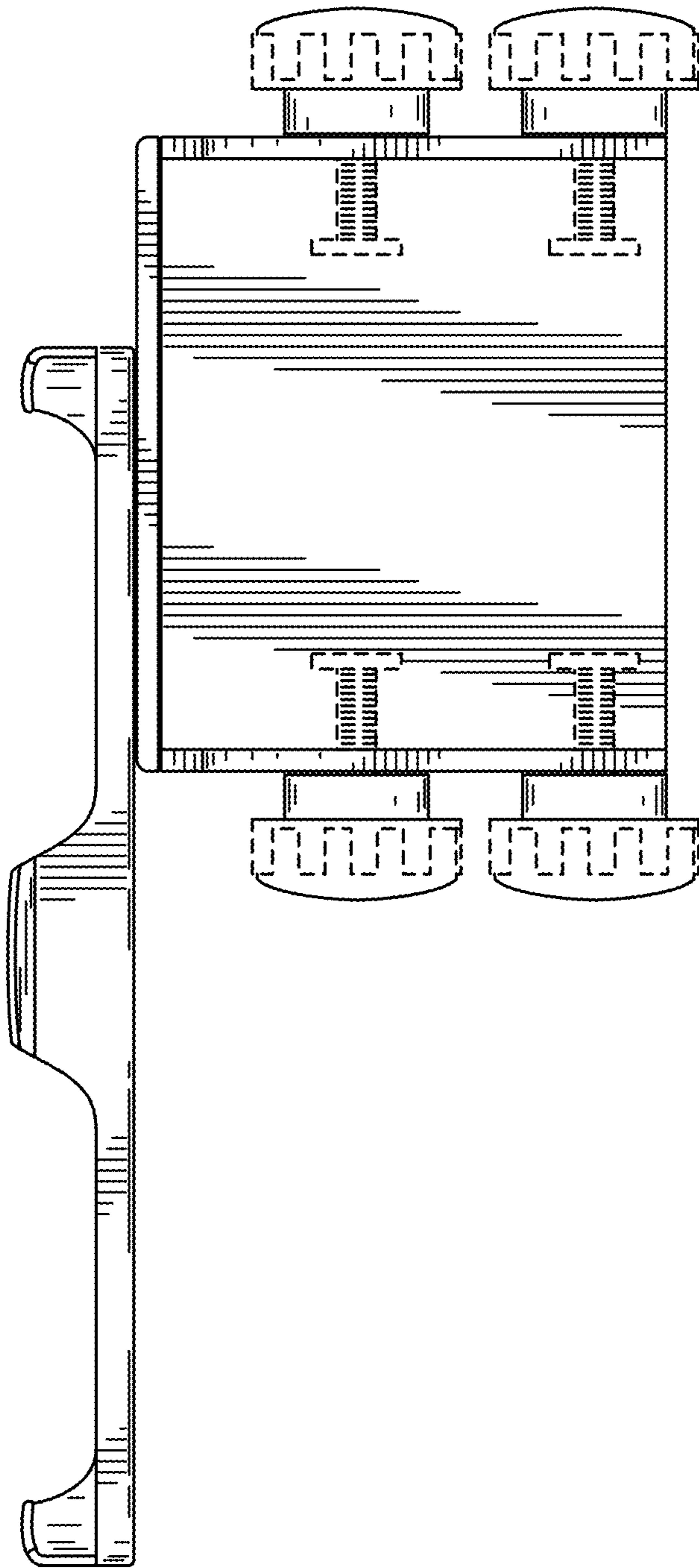


FIG. 3

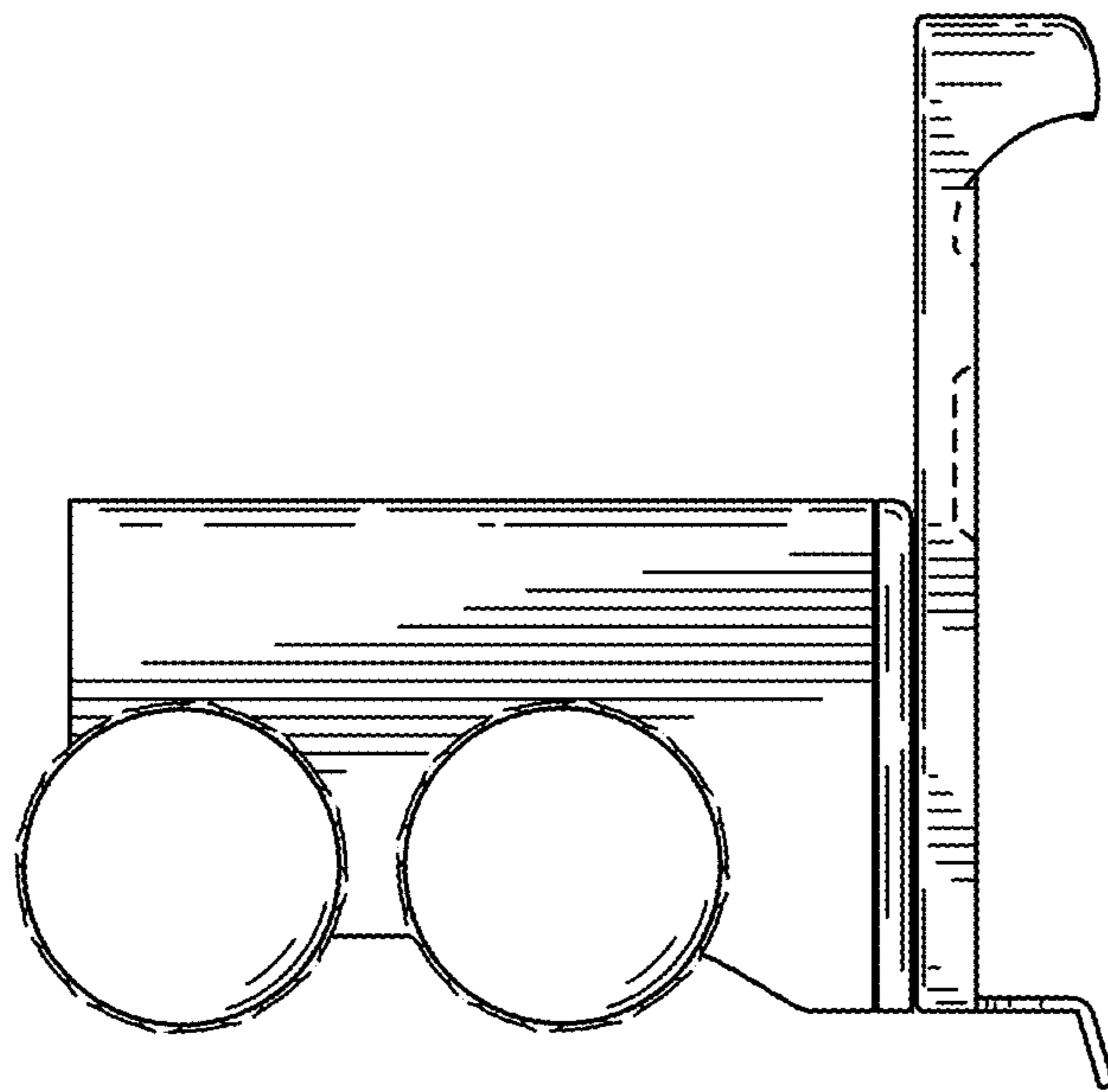


FIG. 4

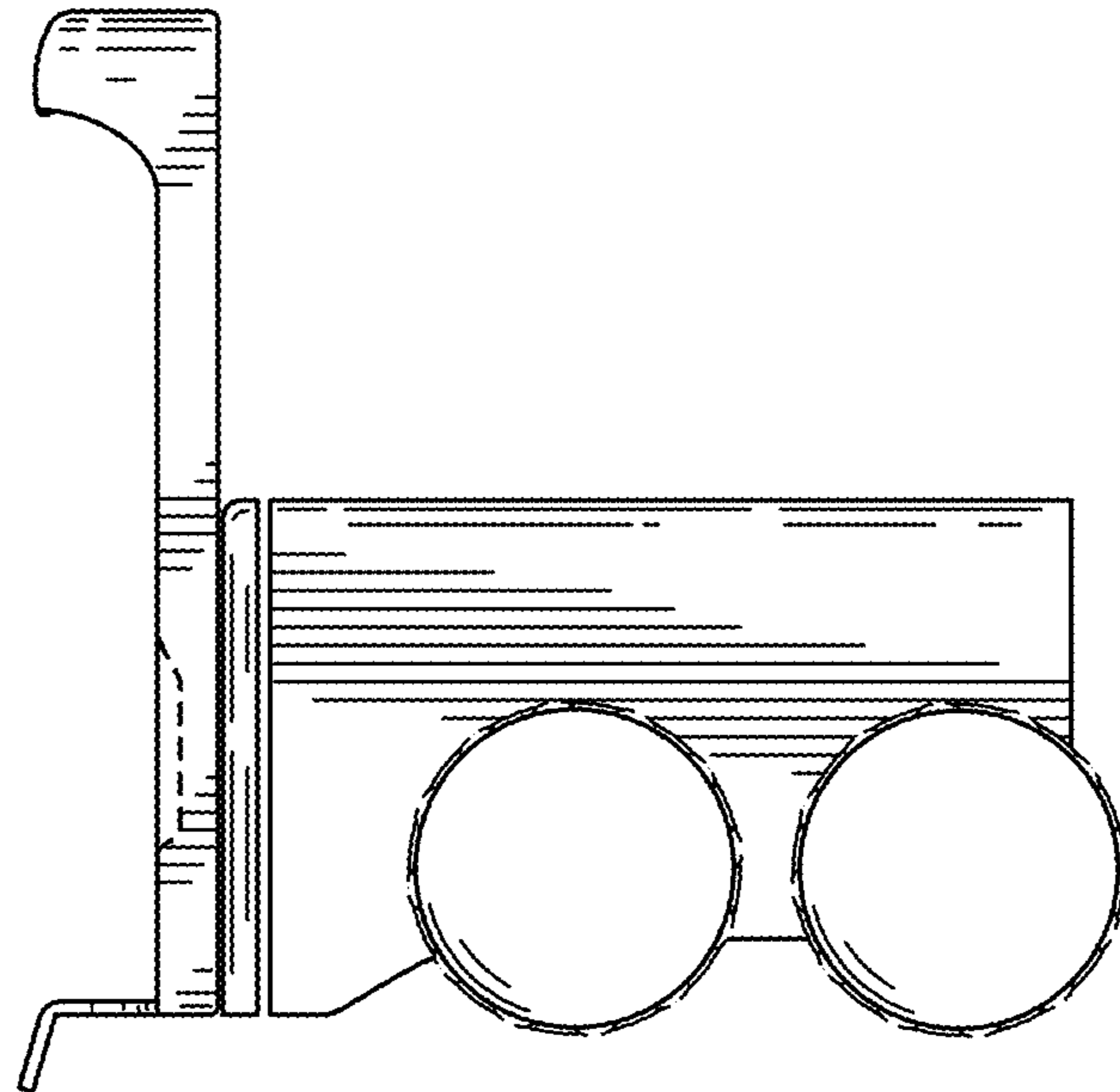


FIG. 5

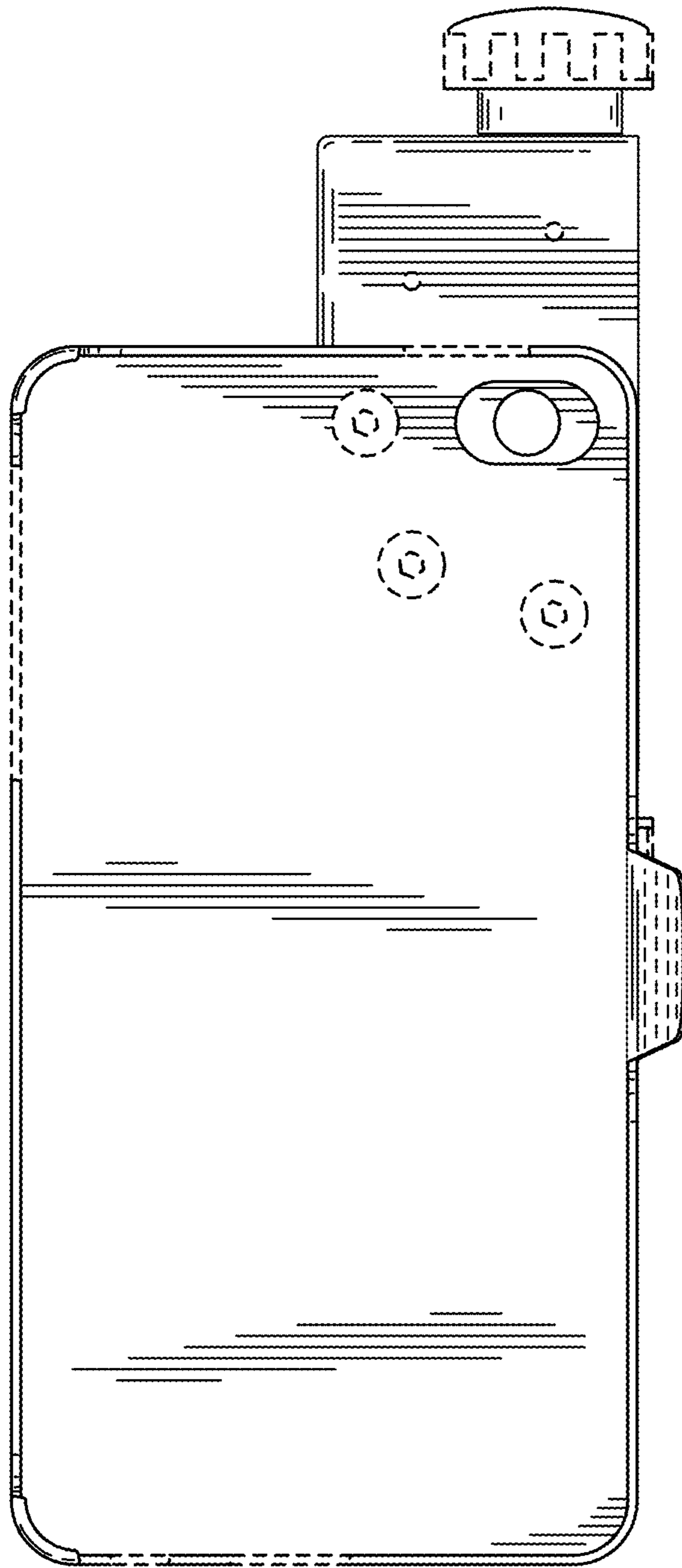


FIG. 6

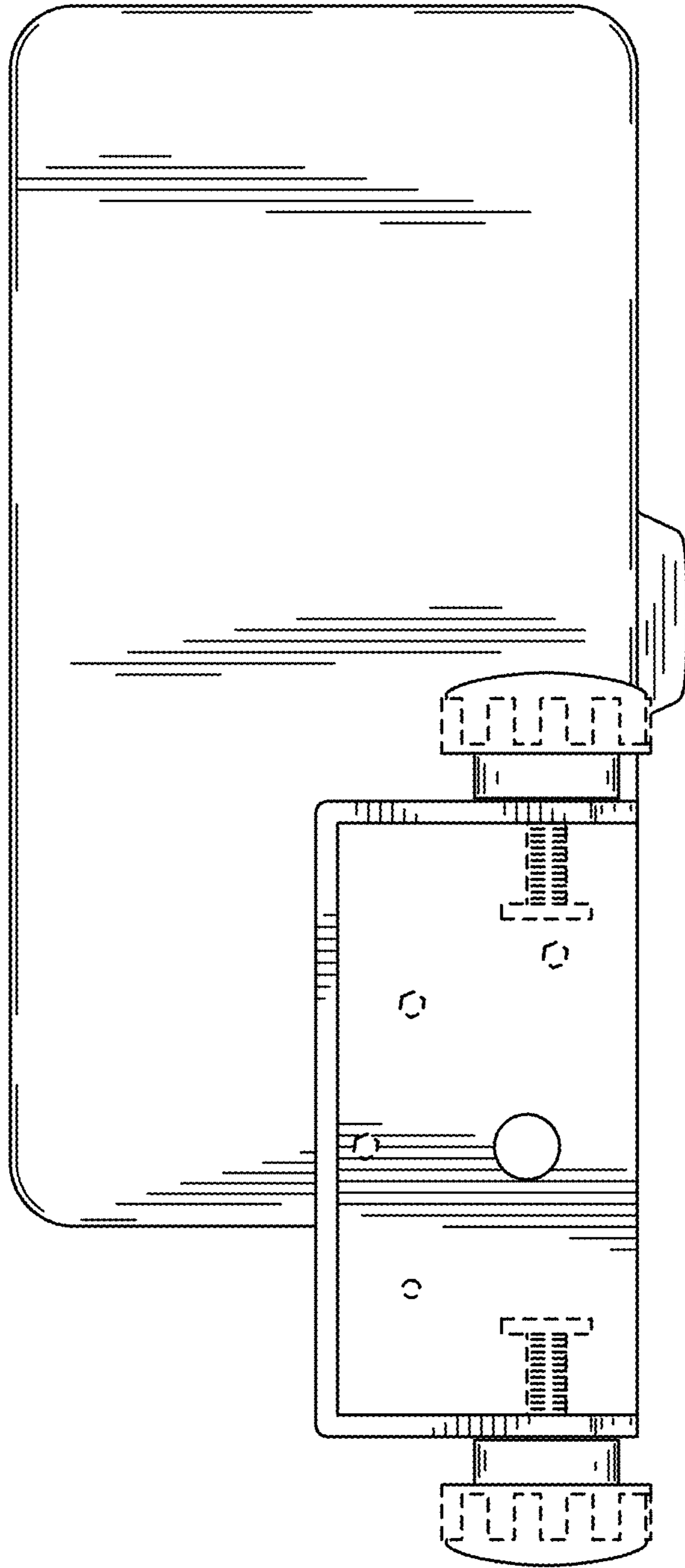


FIG. 7

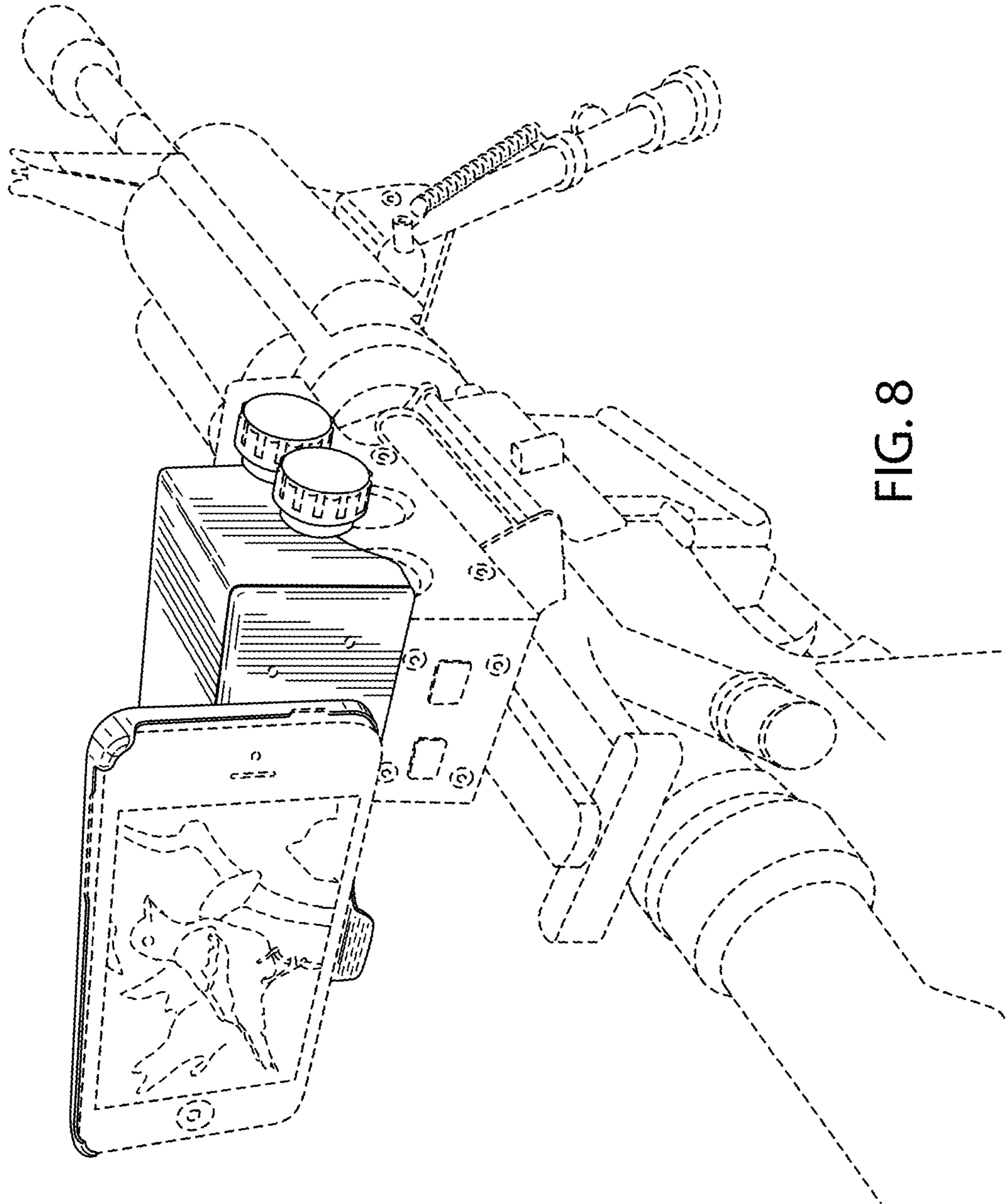


FIG. 8