



US00D771731S

(12) **United States Design Patent**
Yoshiyama

(10) **Patent No.:** **US D771,731 S**

(45) **Date of Patent:** **** Nov. 15, 2016**

(54) **INTERCHANGEABLE LENS FOR CAMERA**

(71) Applicant: **Panasonic Intellectual Property Management Co., Ltd., Osaka (JP)**

(72) Inventor: **Tsuyoshi Yoshiyama, Osaka (JP)**

(73) Assignee: **Panasonic Intellectual Property Management Co., Ltd., Osaka (JP)**

(**) Term: **15 Years**

(21) Appl. No.: **29/547,651**

(22) Filed: **Dec. 7, 2015**

(30) **Foreign Application Priority Data**

Jul. 15, 2015 (JP) 2015-015742

(51) **LOC (10) Cl.** **16-05**

(52) **U.S. Cl.**
USPC **D16/219**

(58) **Field of Classification Search**

USPC D3/263, 267, 268; D16/134, 136, 200,
D16/202, 204, 206, 208, 209, 218, 219,
D16/242; 348/294, 373-376; 396/301,
396/539-541

CPC G03B 15/03; G03B 17/02; G03B 17/04;
G03B 17/56; H04N 5/2251; H04N 5/2252;
H04N 5/2254; H04N 5/2256; H04N 5/232
See application file for complete search history.

(56) **References Cited**

U.S. PATENT DOCUMENTS

D390,857 S * 2/1998 Hayamizu D16/134
D412,922 S * 8/1999 Sekine D16/134
D717,356 S * 11/2014 Nikaido D16/134

D721,117 S * 1/2015 Hasuda D16/219
D726,240 S * 4/2015 Oikawa D16/134
D732,101 S * 6/2015 Hasuda D16/134
D744,025 S * 11/2015 Oh D16/134
D750,689 S * 3/2016 Oh D16/134
D754,236 S * 4/2016 Oh D16/134
D763,942 S * 8/2016 Yoon D16/219
D764,562 S * 8/2016 Kim D16/219
2016/0173781 A1 * 6/2016 Tsuchiya H04N 5/23264
348/208.7

* cited by examiner

Primary Examiner — Rosemary K Tarca

Assistant Examiner — Yolanda Robinson

(74) *Attorney, Agent, or Firm* — Panasonic IP Management; Kerry S. Culpepper

(57) **CLAIM**

I claim the ornamental design for an interchangeable lens for camera, as shown and described.

DESCRIPTION

FIG. 1 is a front perspective view of an interchangeable lens for camera of the present invention;
FIG. 2 is a rear perspective view thereof;
FIG. 3 is a front view thereof;
FIG. 4 is a rear view thereof;
FIG. 5 is a left side view thereof;
FIG. 6 is a right side view thereof;
FIG. 7 is a top view thereof;
FIG. 8 is a bottom view thereof; and,
FIG. 9 is a rear perspective view thereof with the arm part rotated 180 degree.

The broken line showing of interchangeable lens for camera is included for the purpose of illustrating environment and forms no part of the claimed design.

1 Claim, 9 Drawing Sheets

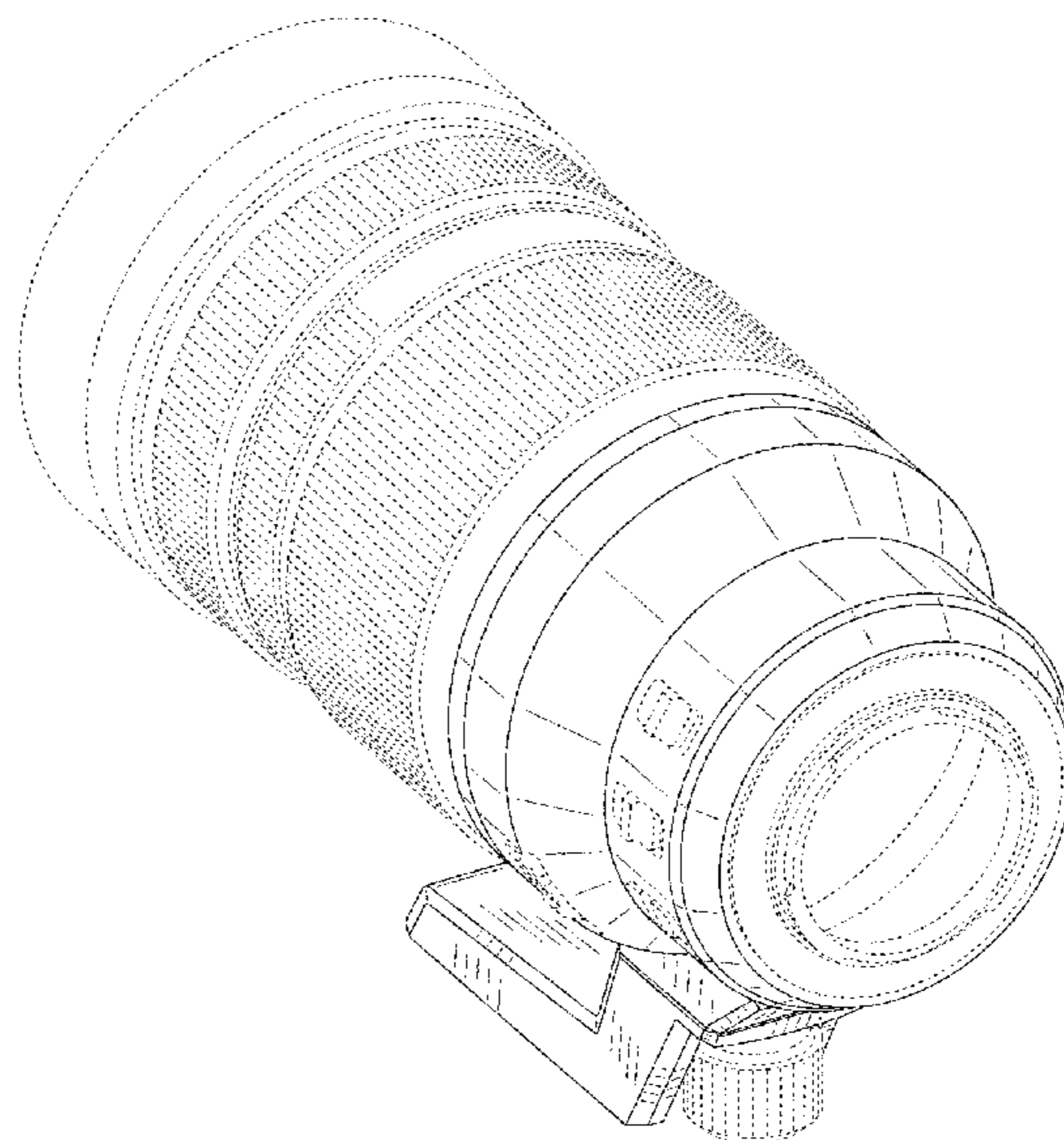
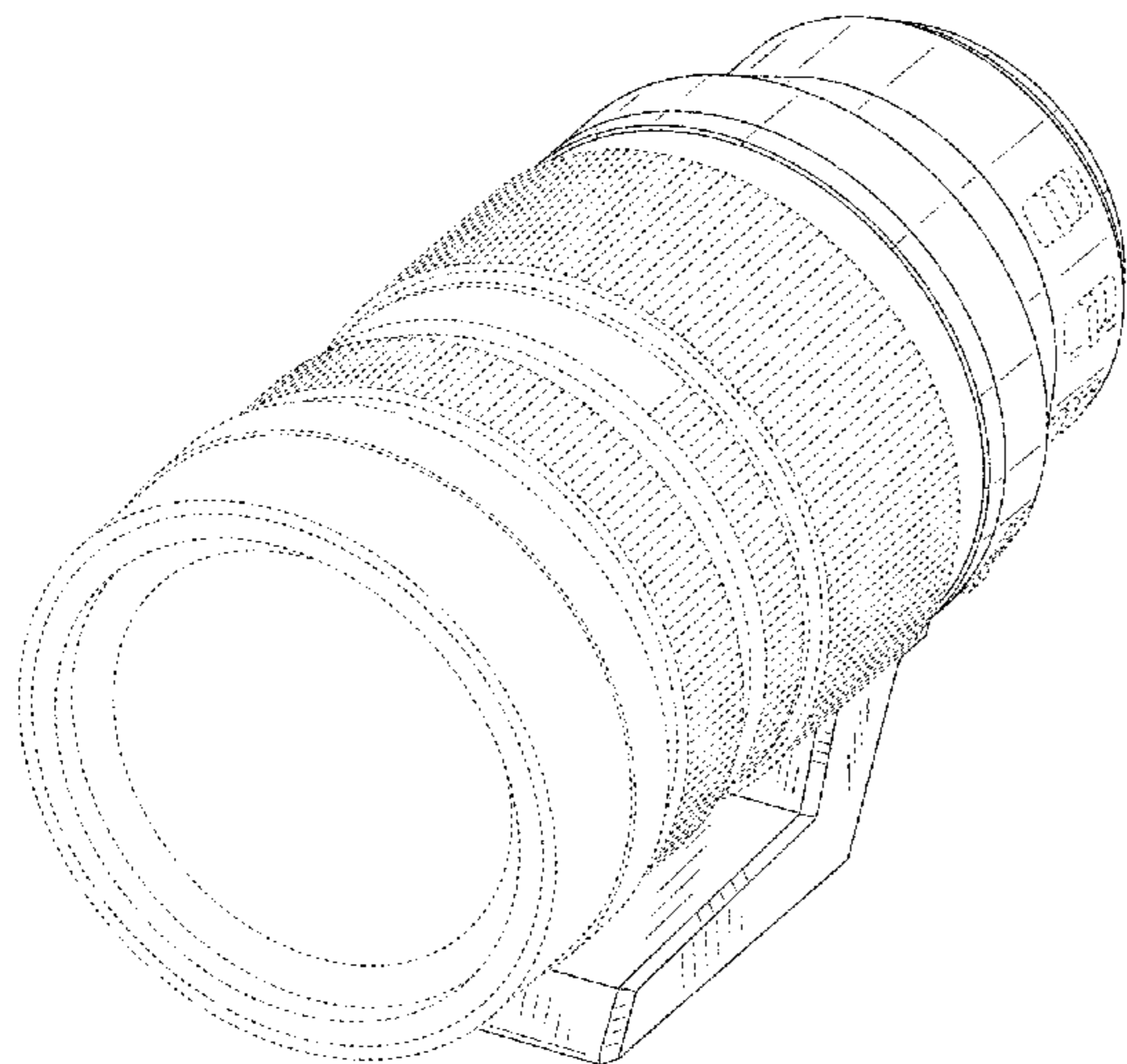


FIG. 1

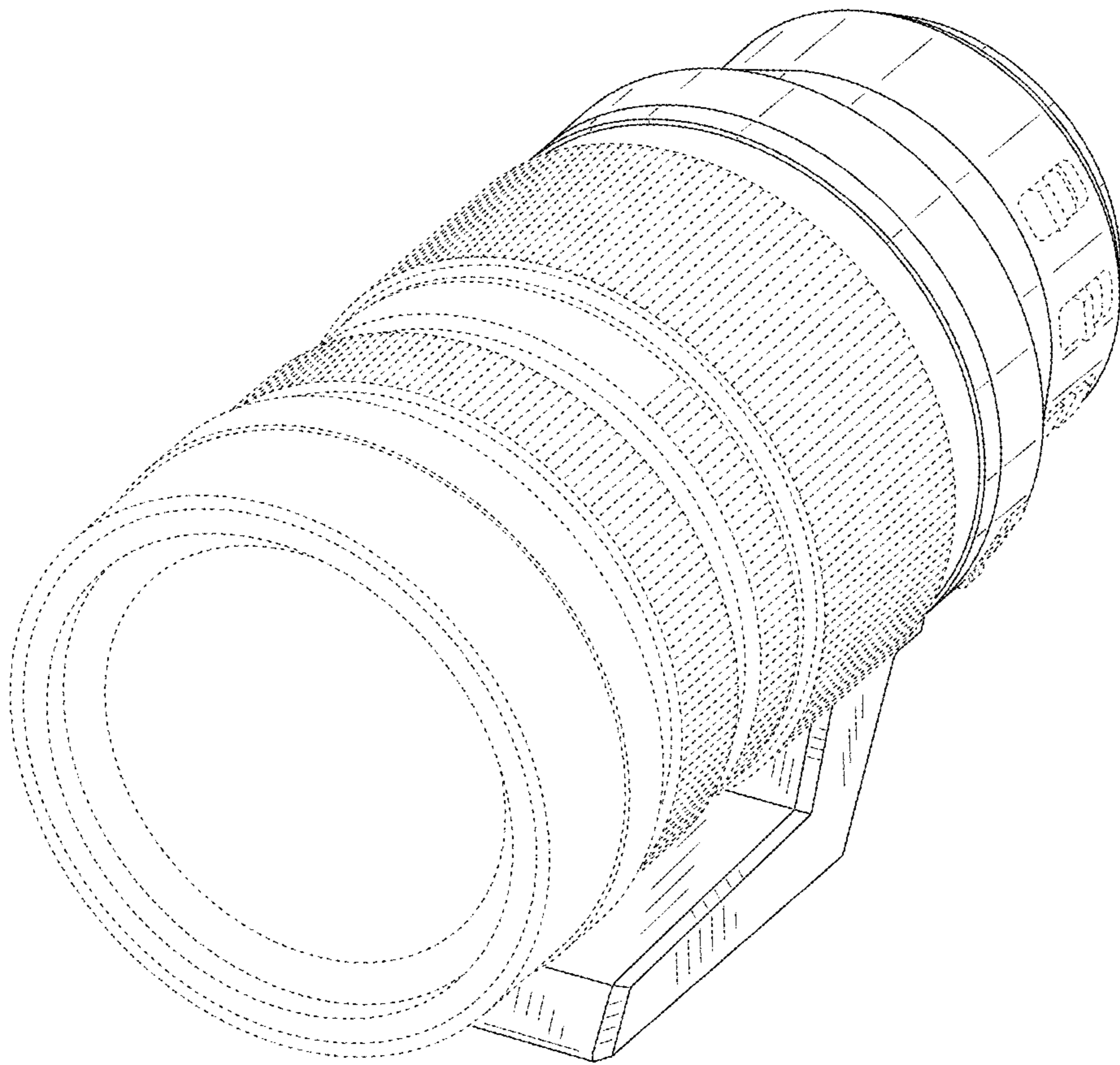


FIG. 2

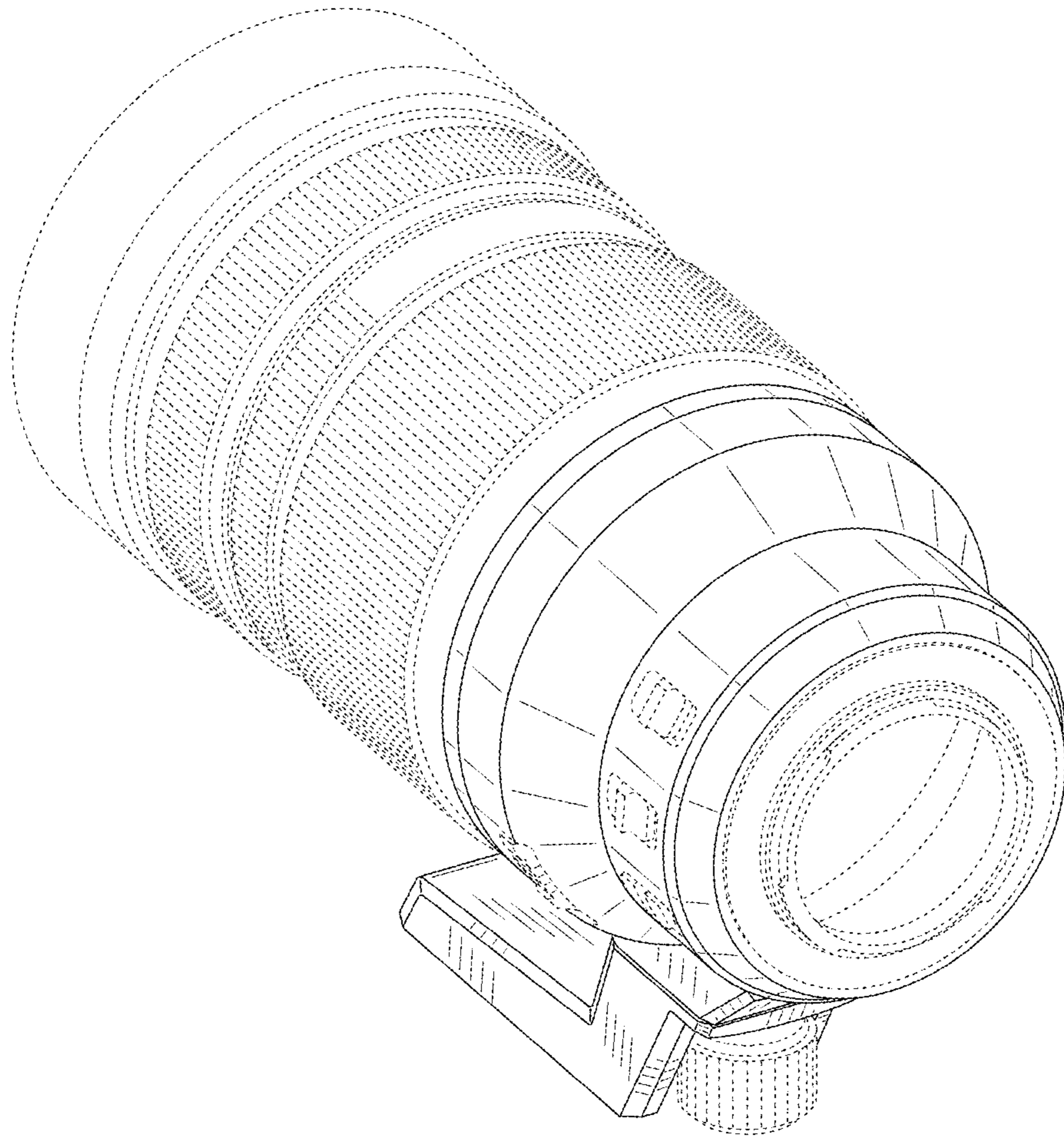


FIG. 3

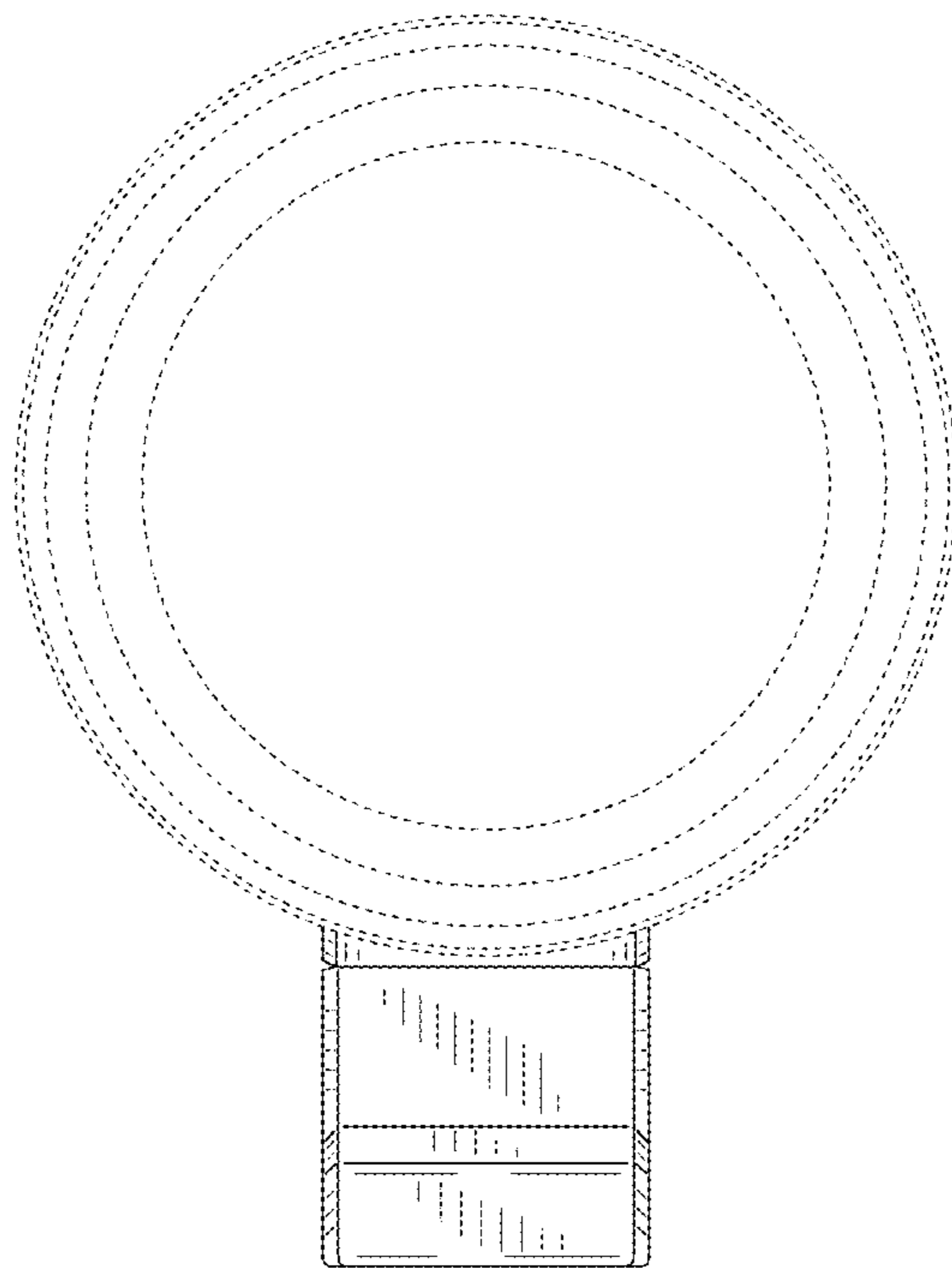


FIG. 4

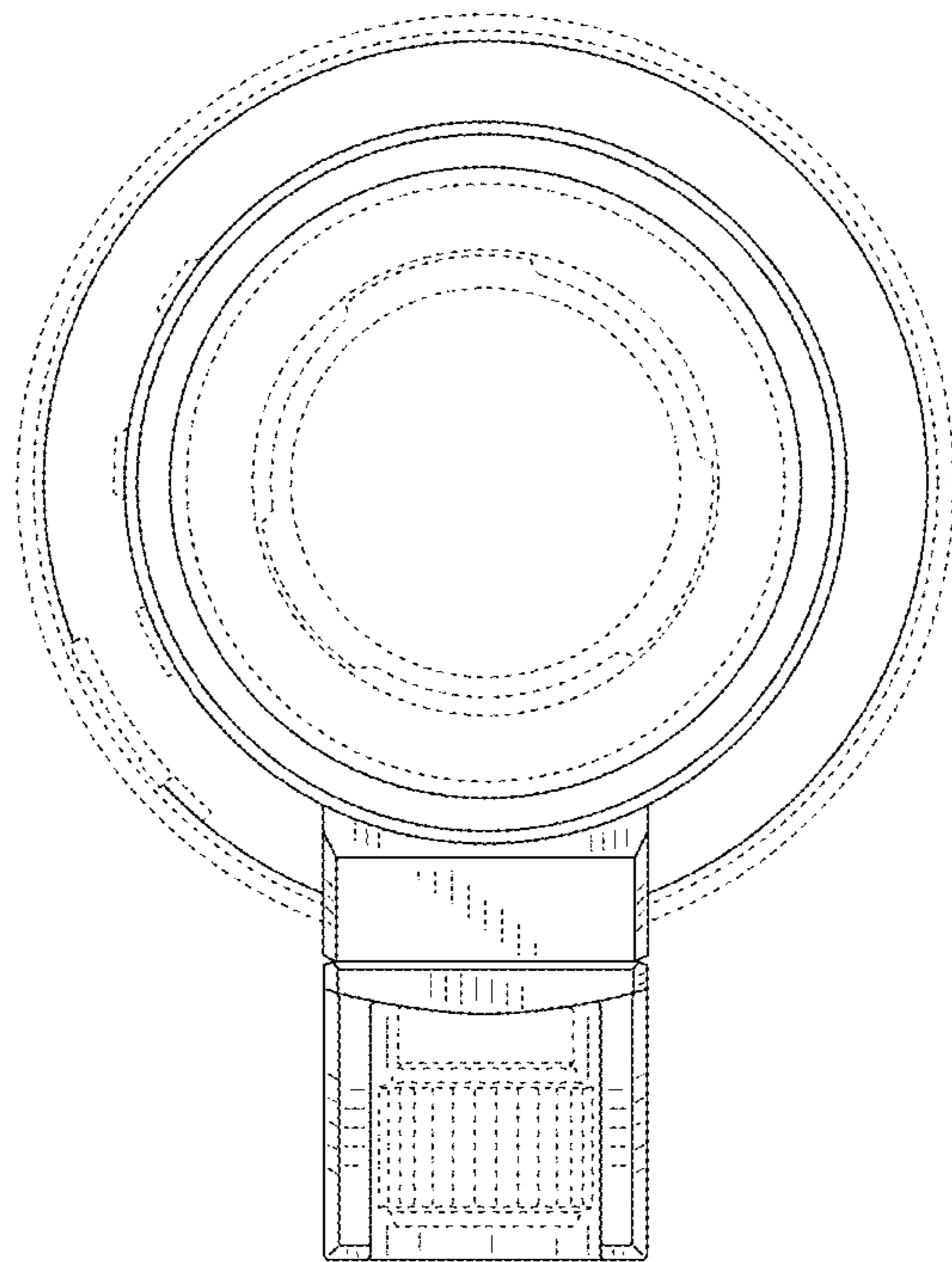


FIG. 5

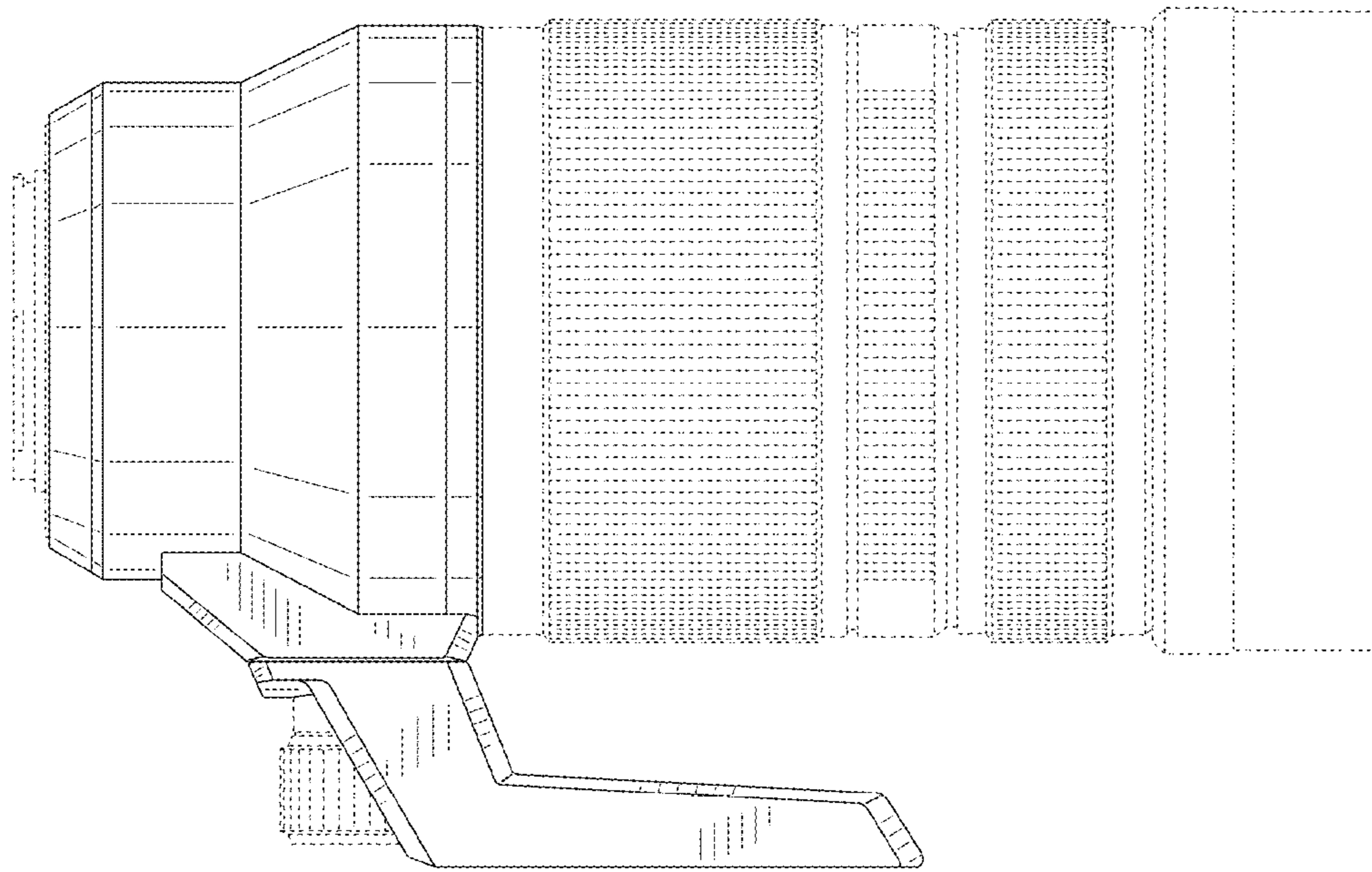


FIG. 6

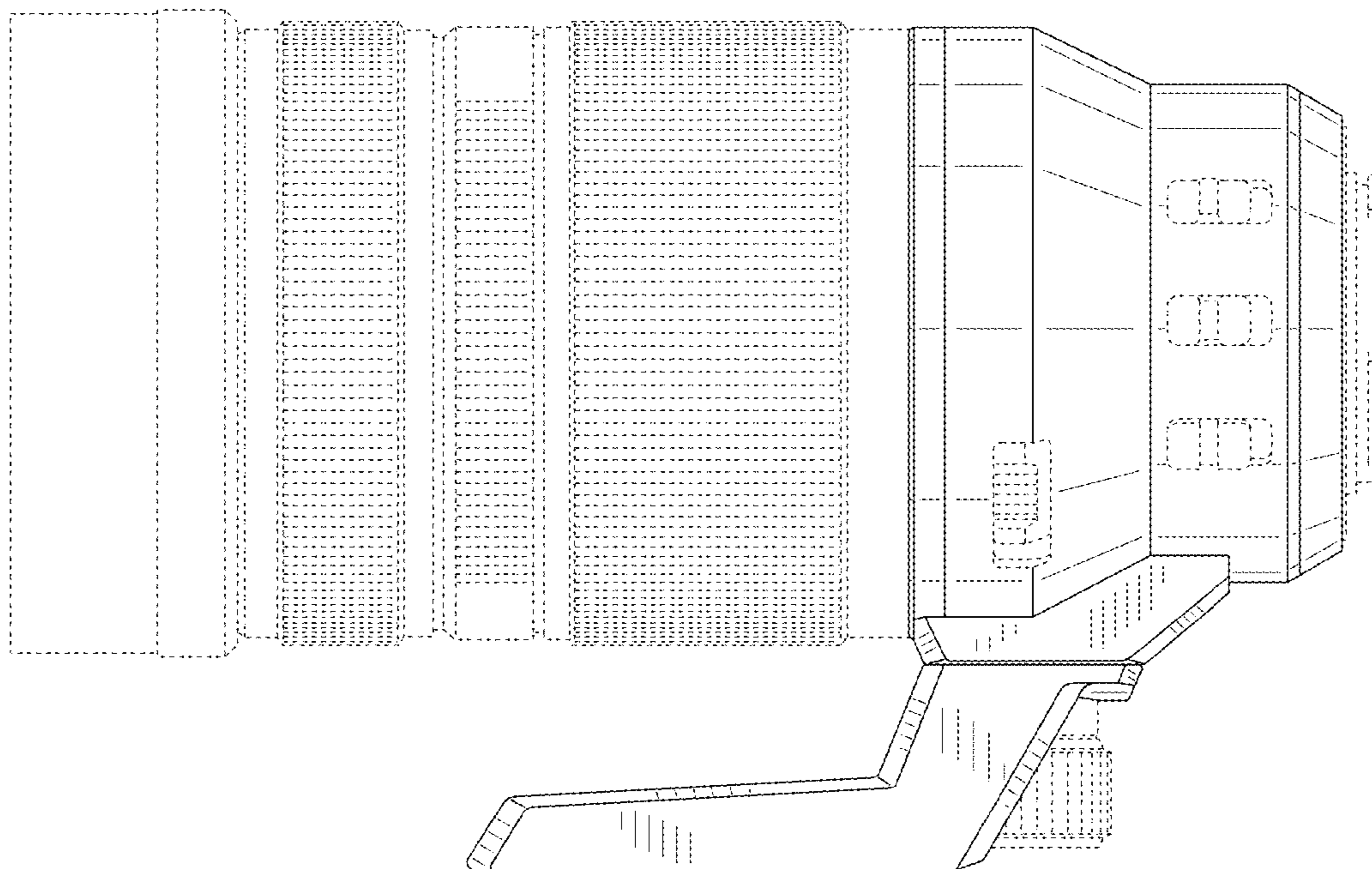


FIG. 7

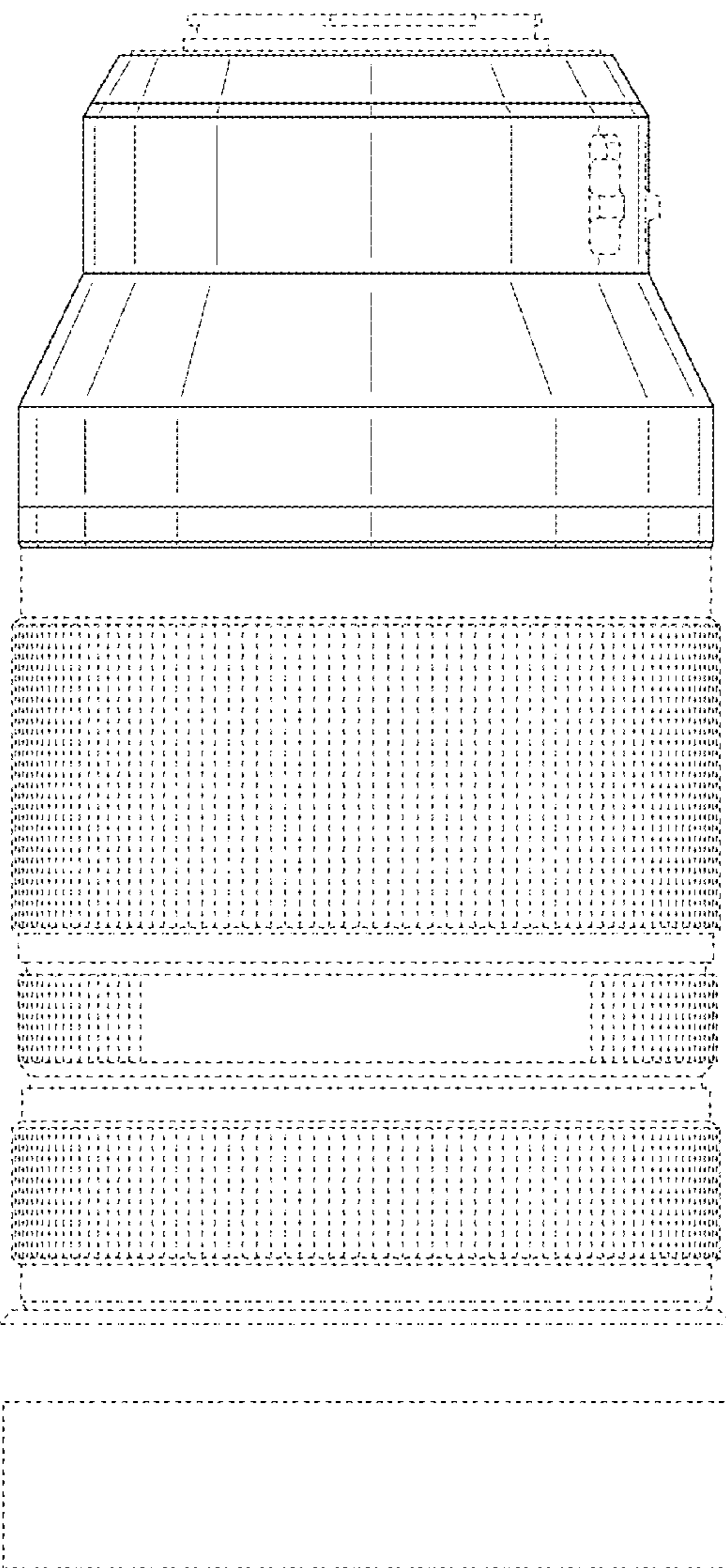


FIG. 8

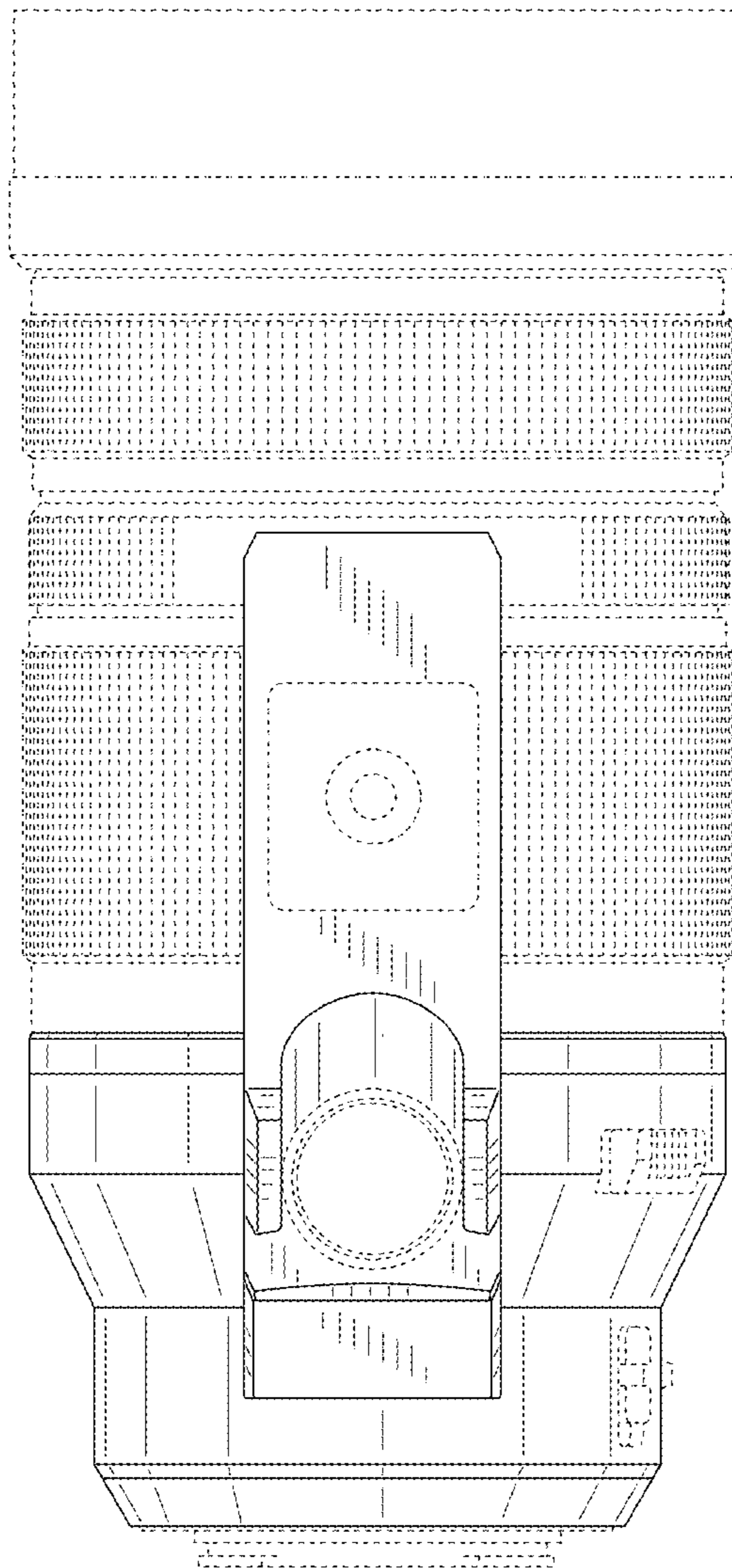


FIG. 9

