



US00D771730S

(12) **United States Design Patent**
Yoshiyama

(10) **Patent No.:** **US D771,730 S**

(45) **Date of Patent:** **** Nov. 15, 2016**

(54) **INTERCHANGEABLE LENS FOR CAMERA**

(71) Applicant: **Panasonic Intellectual Property Management Co., Ltd., Osaka (JP)**

(72) Inventor: **Tsuyoshi Yoshiyama, Osaka (JP)**

(73) Assignee: **Panasonic Intellectual Property Management Co., Ltd., Osaka (JP)**

(**) Term: **15 Years**

(21) Appl. No.: **29/547,650**

(22) Filed: **Dec. 7, 2015**

(30) **Foreign Application Priority Data**

Jul. 15, 2015 (JP) 2015-015741

(51) **LOC (10) Cl.** **16-05**

(52) **U.S. Cl.**
USPC **D16/219**

(58) **Field of Classification Search**
USPC D3/263, 267, 268; D16/134, 136, 200,
D16/202, 204, 206, 208, 209, 218, 219;
348/294, 373-376; 396/301, 539-541
CPC G03B 15/03; G03B 17/02; G03B 17/04;
G03B 17/56; H04N 5/2251; H04N 5/2252;
H04N 5/2254; H04N 5/2256
See application file for complete search history.

(56) **References Cited**

U.S. PATENT DOCUMENTS

D390,857 S * 2/1998 Hayamizu D16/134
D699,773 S * 2/2014 Hasuda D16/134

D706,326 S * 6/2014 Hasuda D16/134
D721,117 S * 1/2015 Hasuda D16/219
D724,644 S * 3/2015 Tainaka D16/219
D726,240 S * 4/2015 Oikawa D16/134
D730,968 S * 6/2015 O'Neill D16/219
D732,101 S * 6/2015 Hasuda D16/134
D741,937 S * 10/2015 Park D16/219
D750,689 S * 3/2016 Oh D16/134
D754,236 S * 4/2016 Oh D16/134
D763,942 S * 8/2016 Yoon D16/219
D764,562 S * 8/2016 Kim D16/219

* cited by examiner

Primary Examiner — Rosemary K Tarca

Assistant Examiner — Yolanda Robinson

(74) *Attorney, Agent, or Firm* — Panasonic IP Management; Kerry S. Culpepper

(57) **CLAIM**

I claim the ornamental design for an interchangeable lens for camera, as shown and described.

DESCRIPTION

FIG. 1 is a front perspective view of an interchangeable lens for camera of the present invention;
FIG. 2 is a rear perspective view thereof;
FIG. 3 is a front view thereof;
FIG. 4 is a rear view thereof;
FIG. 5 is a left side view thereof;
FIG. 6 is a right side view thereof;
FIG. 7 is a top view thereof; and,
FIG. 8 is a bottom view thereof.

The broken line showing of interchangeable lens for camera is included for the purpose of illustrating environment and forms no part of the claimed design.

1 Claim, 8 Drawing Sheets

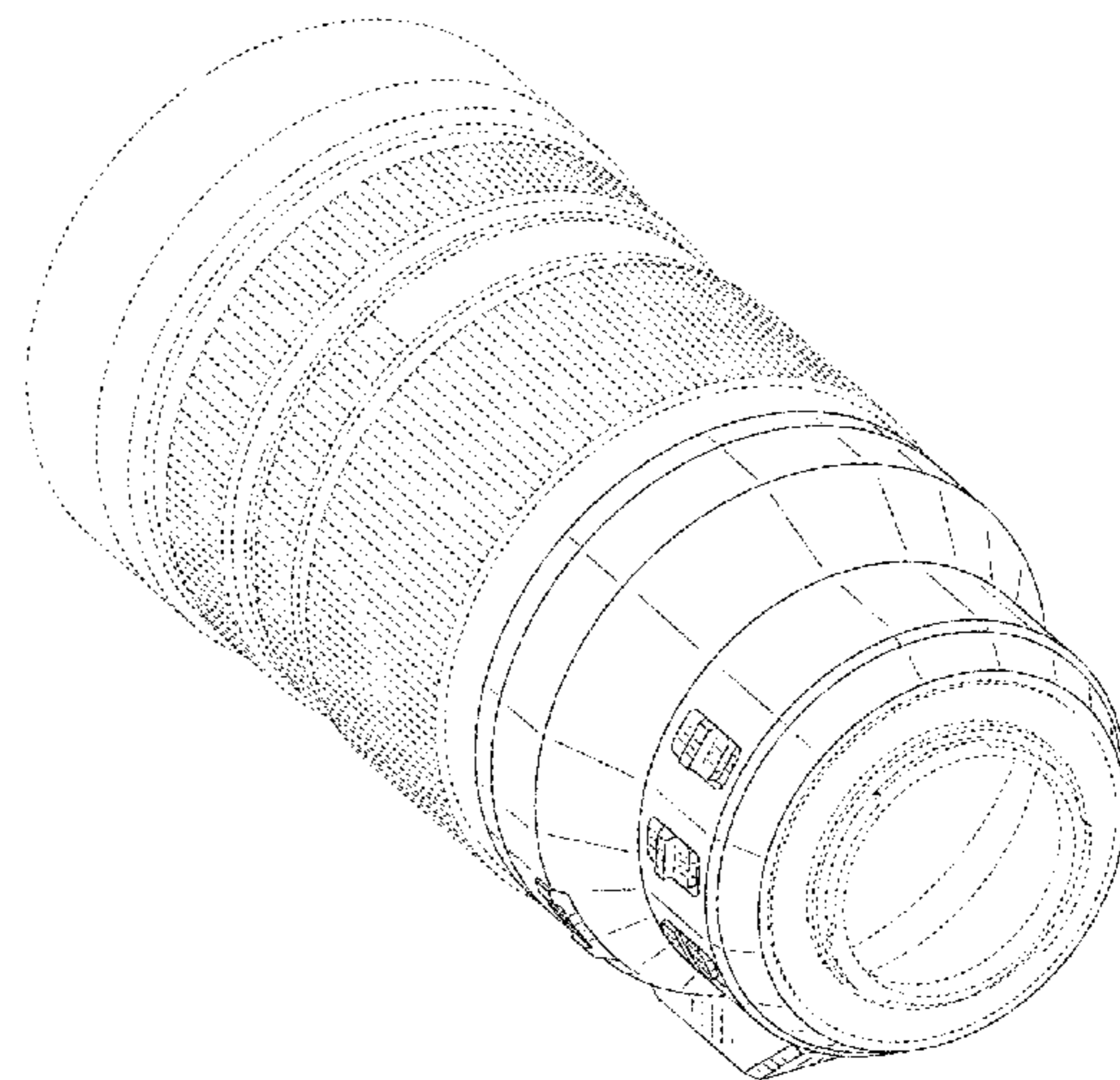
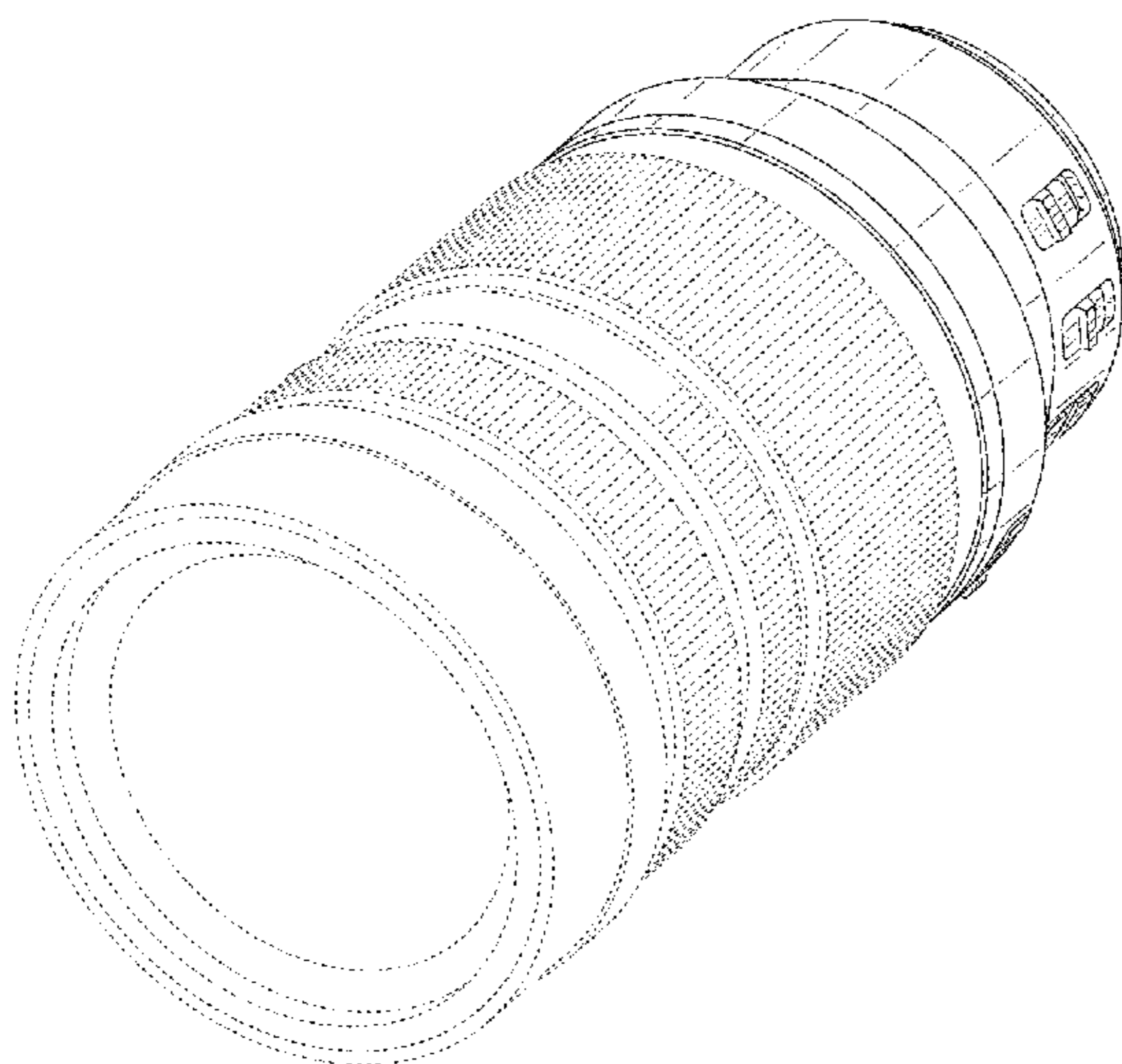


FIG. 1

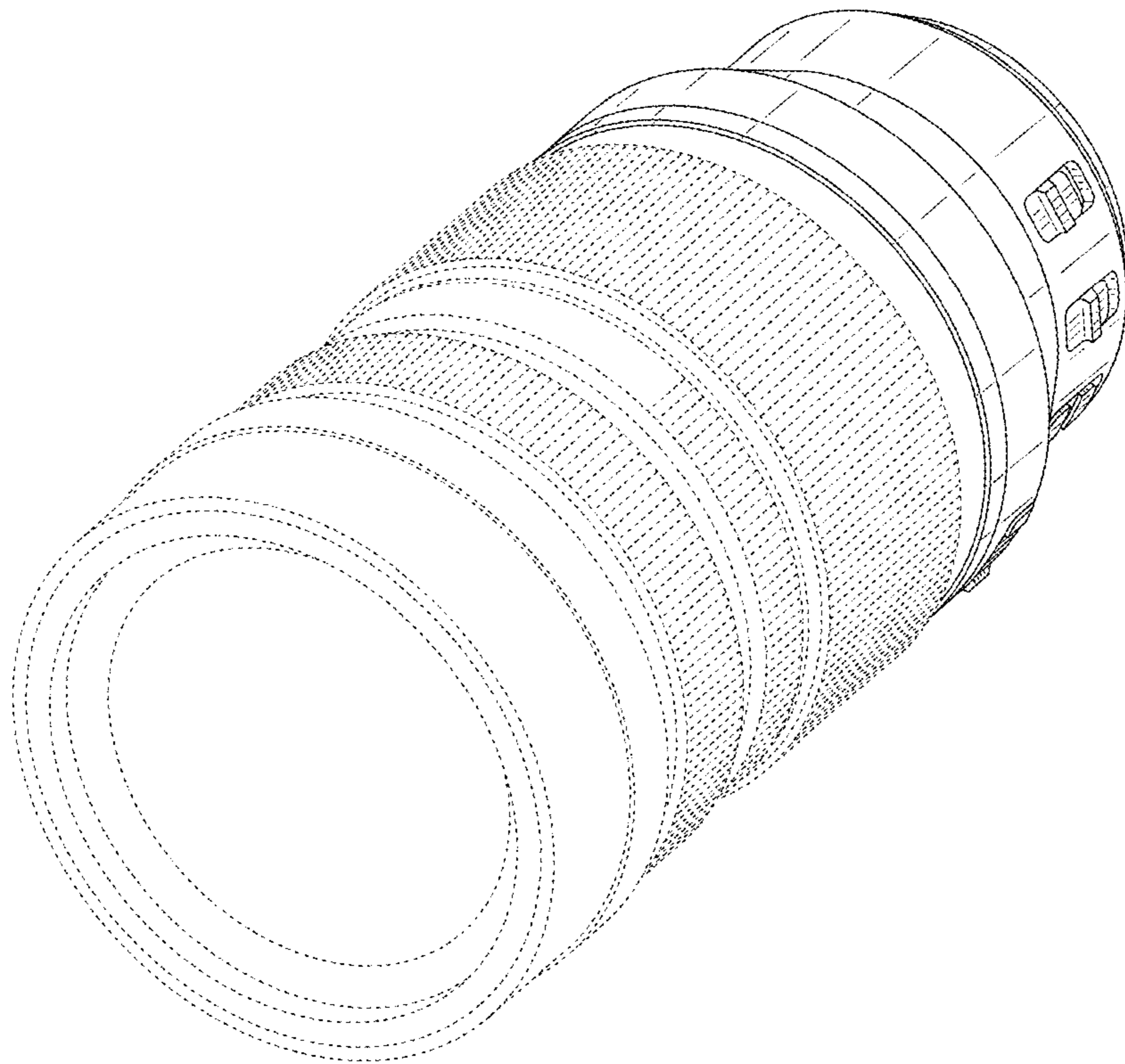


FIG. 2

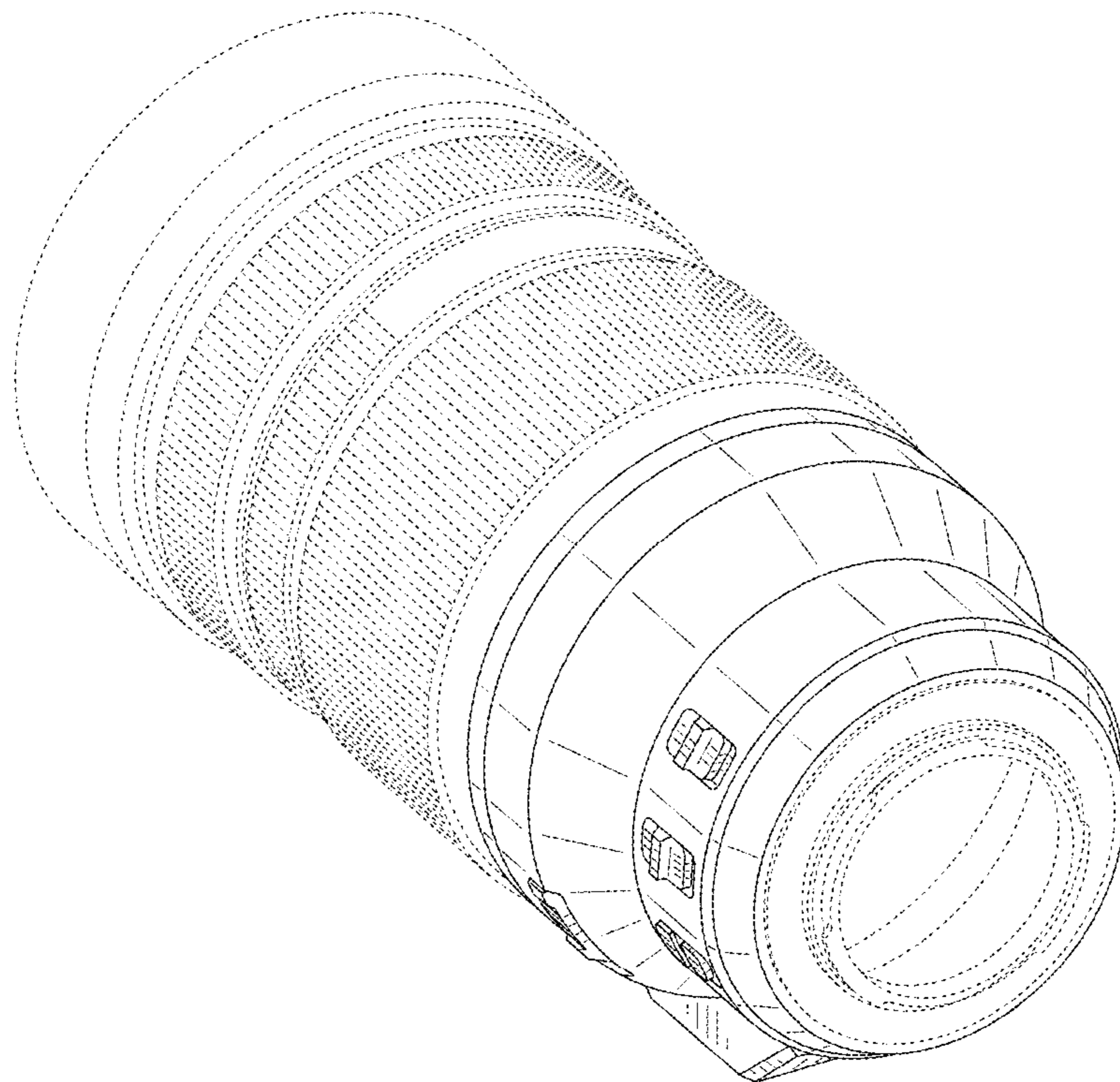


FIG. 3

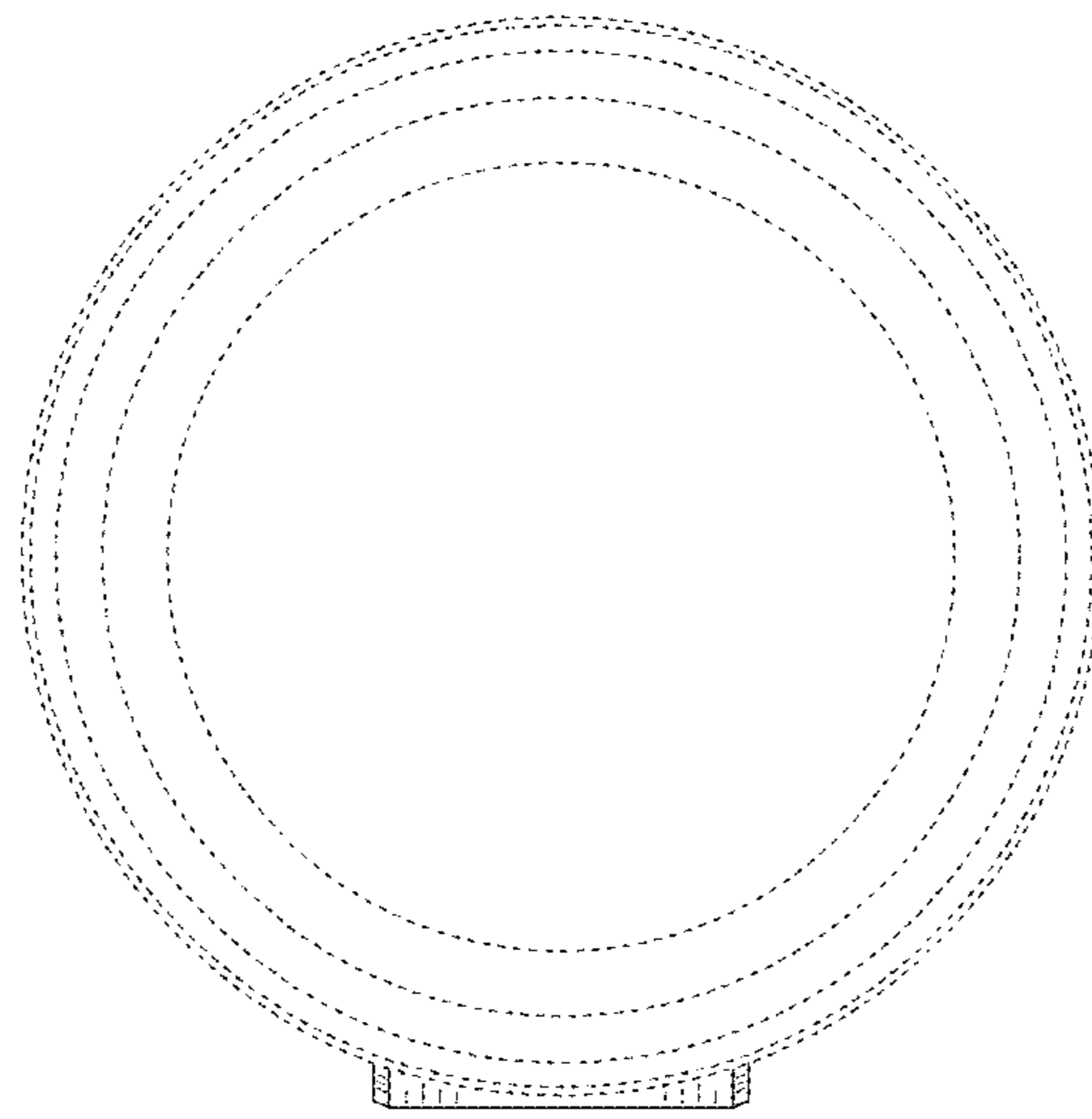


FIG. 4

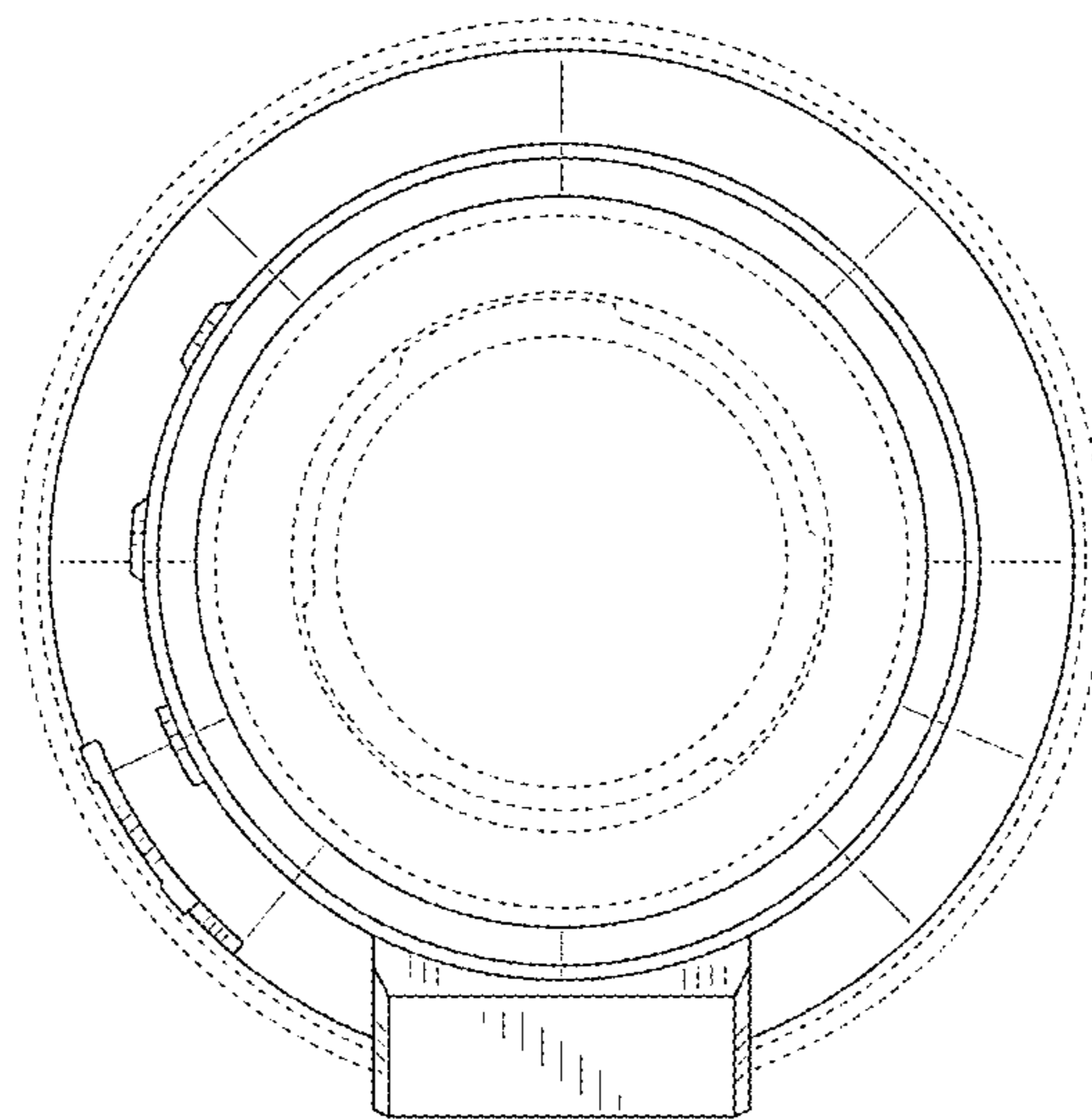


FIG. 5

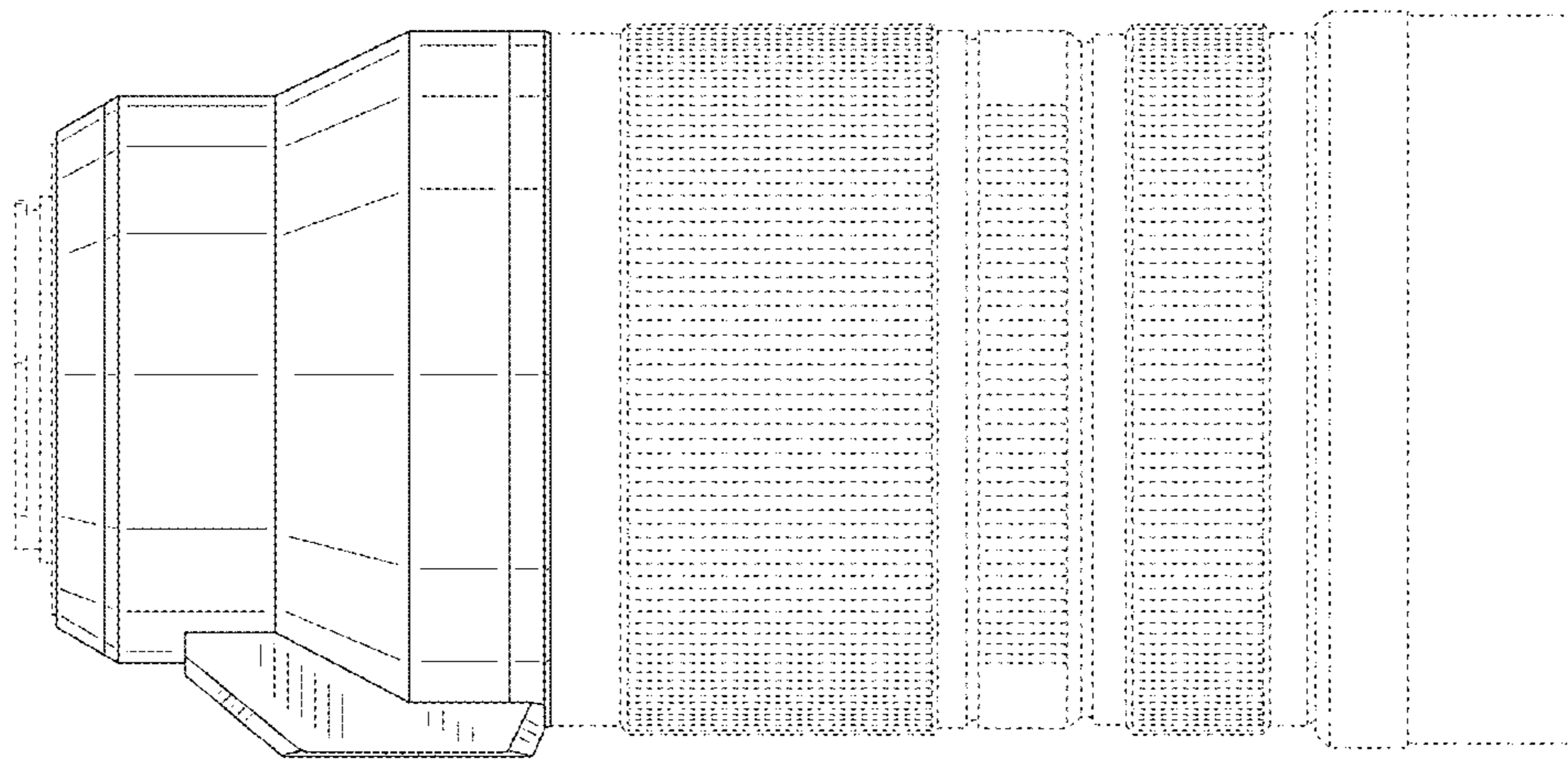


FIG. 6

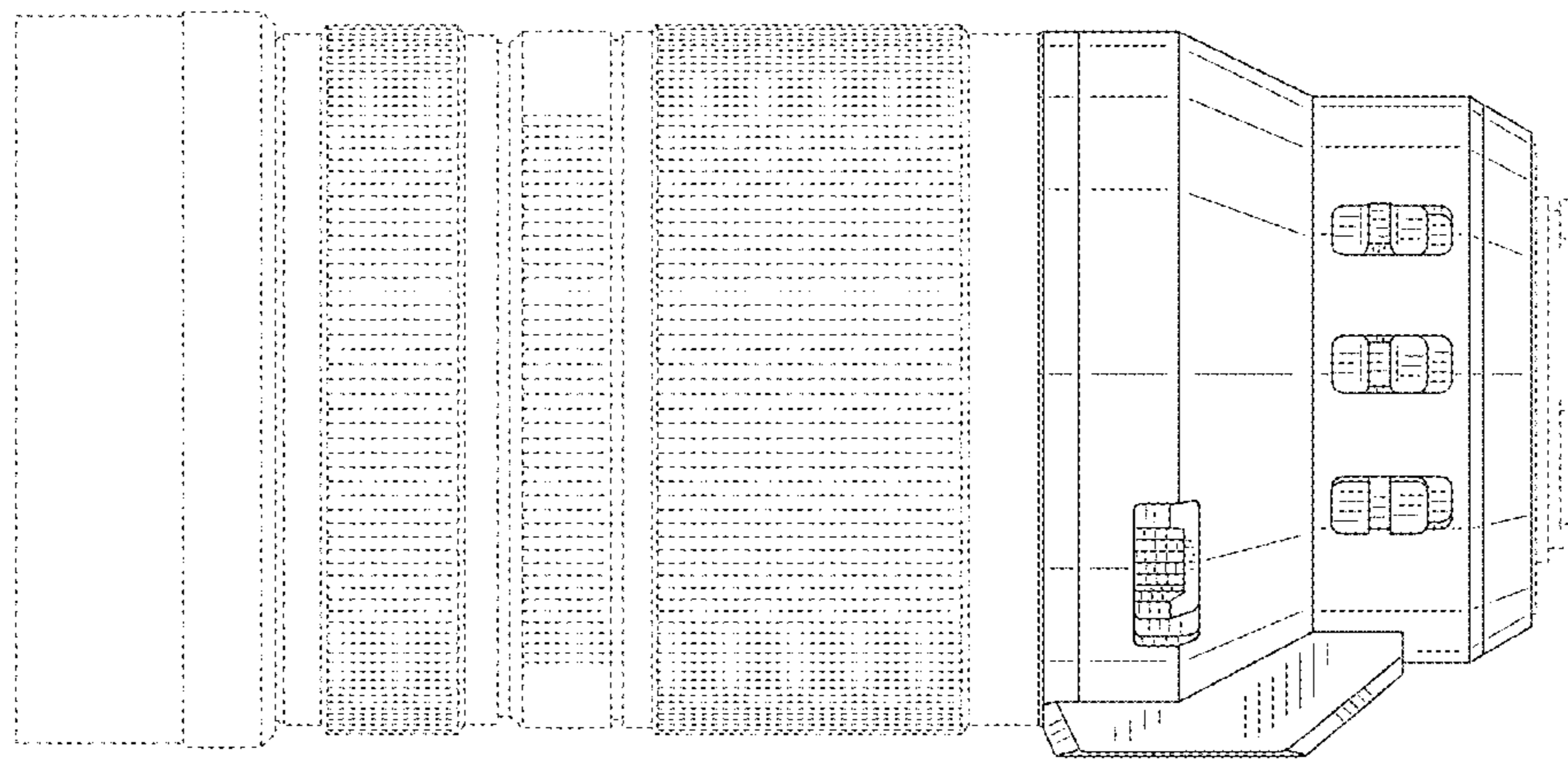


FIG. 7

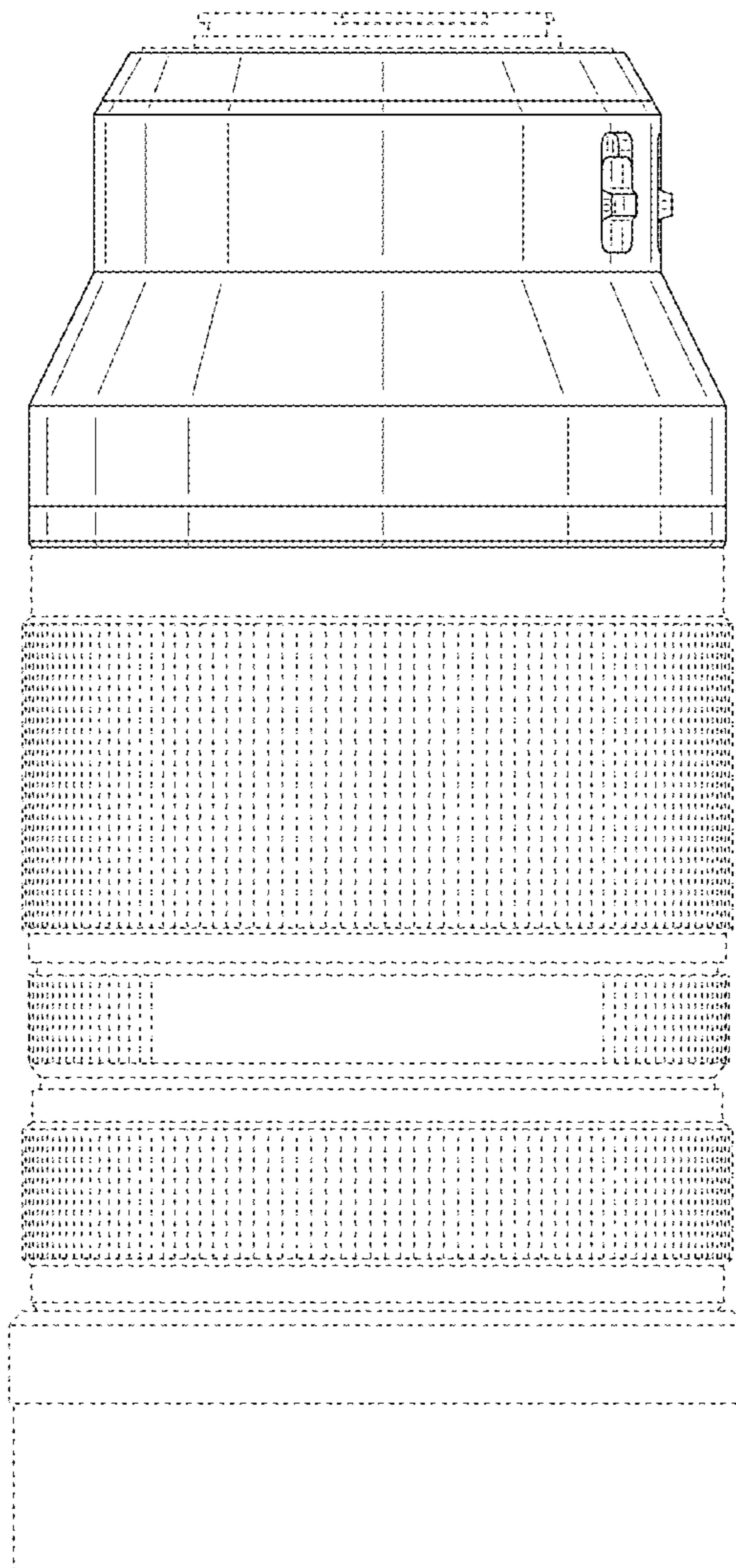


FIG. 8

