



US00D771729S

(12) **United States Design Patent** (10) **Patent No.:** **US D771,729 S**
Heilemann et al. (45) **Date of Patent:** **** Nov. 15, 2016**

(54) **GEAR CASE**
(71) Applicant: **Cavex GmbH & Co. KG**, Oftringen (DE)
(72) Inventors: **Jens Heilemann**, Gomaringen (DE);
Lena Priester, Gomaringen (DE)
(73) Assignee: **Cavex GmbH & Co. KG**, Oftringen (DE)
(**) Term: **15 Years**
(21) Appl. No.: **29/546,791**

D678,337 S * 3/2013 Yamamoto D15/5
D690,339 S * 9/2013 Sigmund D15/148
D697,103 S * 1/2014 Sigmund D15/148
D698,837 S * 2/2014 Woppermann D15/148
D703,253 S * 4/2014 Lannoch D15/148
D703,716 S * 4/2014 Jensen D15/148
D704,756 S * 5/2014 Voelker D15/148
D710,918 S * 8/2014 Tegeltija D15/148
D740,867 S * 10/2015 Barta D15/148
2009/0301256 A1* 12/2009 Hurst B60S 1/166
74/606 R
2011/0277589 A1* 11/2011 Leibold F16H 57/032
74/606 R
2012/0272763 A1* 11/2012 Murakami F16H 57/025
74/412 R
2015/0069687 A1* 3/2015 Dastoor F16F 1/3615
267/153

(22) Filed: **Nov. 25, 2015**
(51) **LOC (10) Cl.** **15-09**
(52) **U.S. Cl.**
USPC **D15/148**
(58) **Field of Classification Search**
USPC D15/5-7, 138, 143, 148
See application file for complete search history.

FOREIGN PATENT DOCUMENTS

DE 402015100513-0001 7/2015
* cited by examiner

Primary Examiner — Patricia Palasik
(74) *Attorney, Agent, or Firm* — Johnson, Marcou & Isaacs, LLC; Jennifer S. Stachniak

(56) **References Cited**

U.S. PATENT DOCUMENTS

D54,413 S * 2/1920 Hazard D15/7
D54,619 S * 3/1920 Hazard D15/7
D205,472 S * 8/1966 Kerr D15/148
D233,983 S * 12/1974 Baker D12/317
D292,947 S * 12/1987 Levy D3/10
D368,919 S * 4/1996 Lannoch D15/148
D375,509 S * 11/1996 Shaw D15/148
D440,995 S * 4/2001 Tsergas D15/148
D479,543 S * 9/2003 Lannoch D15/148
D487,101 S * 2/2004 Taoka D15/149
D528,981 S * 9/2006 Bennett D13/113
D589,993 S * 4/2009 Cheng D15/148
D598,938 S * 8/2009 Mijno D15/148
D618,262 S * 6/2010 Siegfried D15/148
D618,263 S * 6/2010 Siegfried D15/148
D674,828 S * 1/2013 Andersson D15/148
D677,293 S * 3/2013 Andersson D15/148

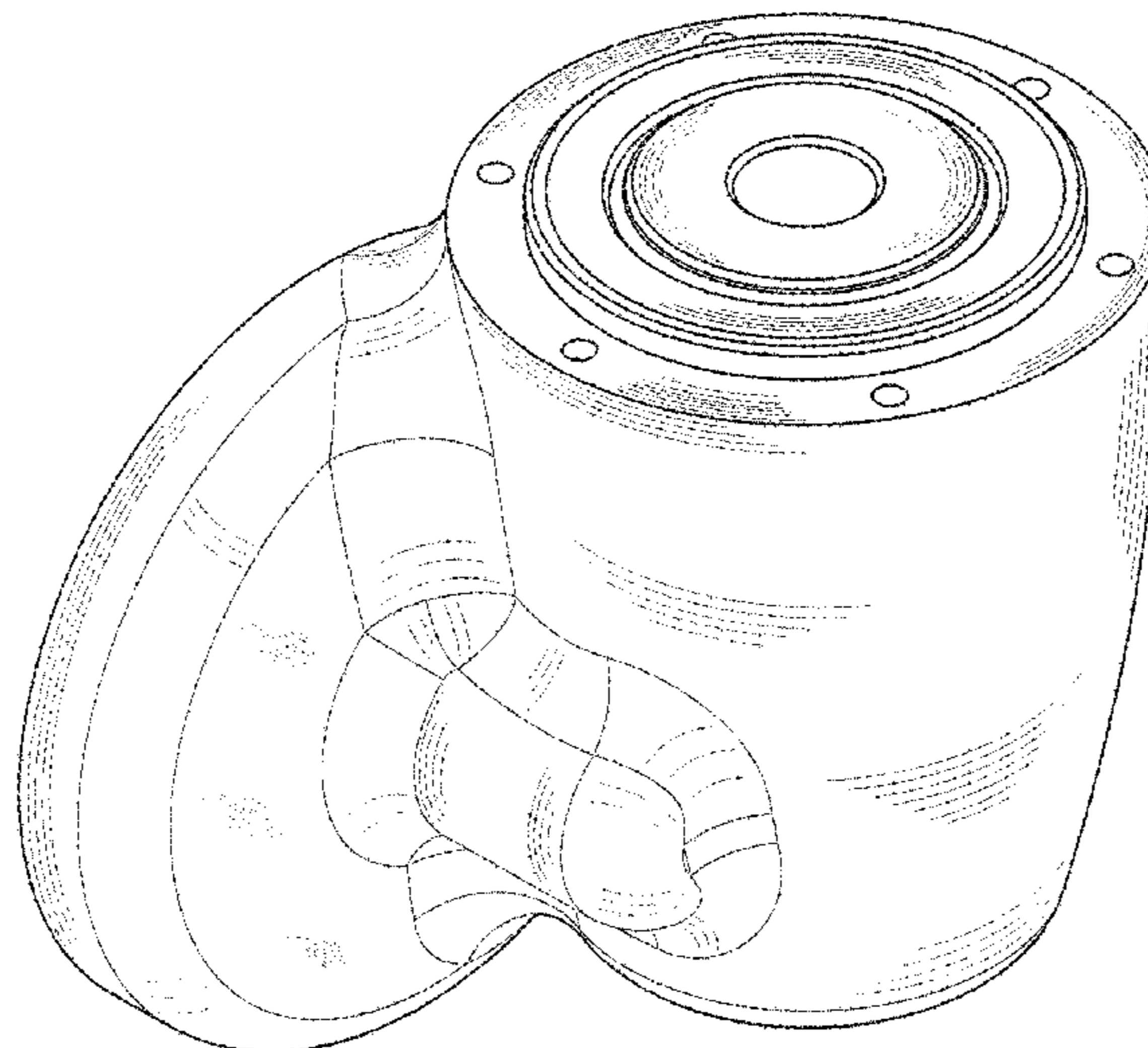
(57) **CLAIM**

The ornamental design for a gear case, as shown and described.

DESCRIPTION

FIG. 1 is a bottom view of a gear case;
FIG. 2 is a front view of the gear case;
FIG. 3 is a top view of the gear case;
FIG. 4 is a perspective view of the left side, front and rear, of the gear case;
FIG. 5 is a left side view of the gear case;
FIG. 6 is a right side view of the gear case; and,
FIG. 7 is a rear view of the gear case.

1 Claim, 7 Drawing Sheets



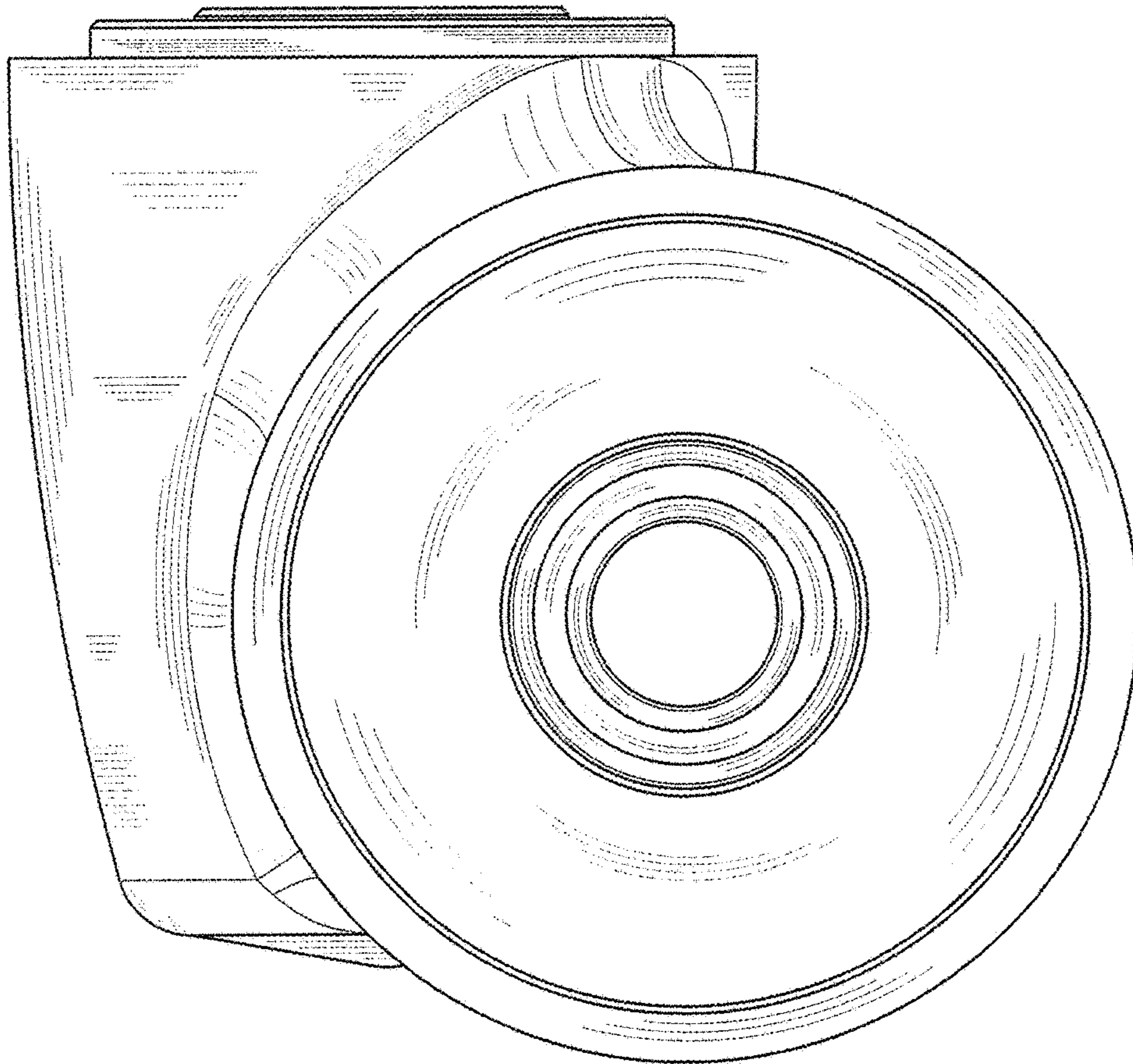


FIGURE 1

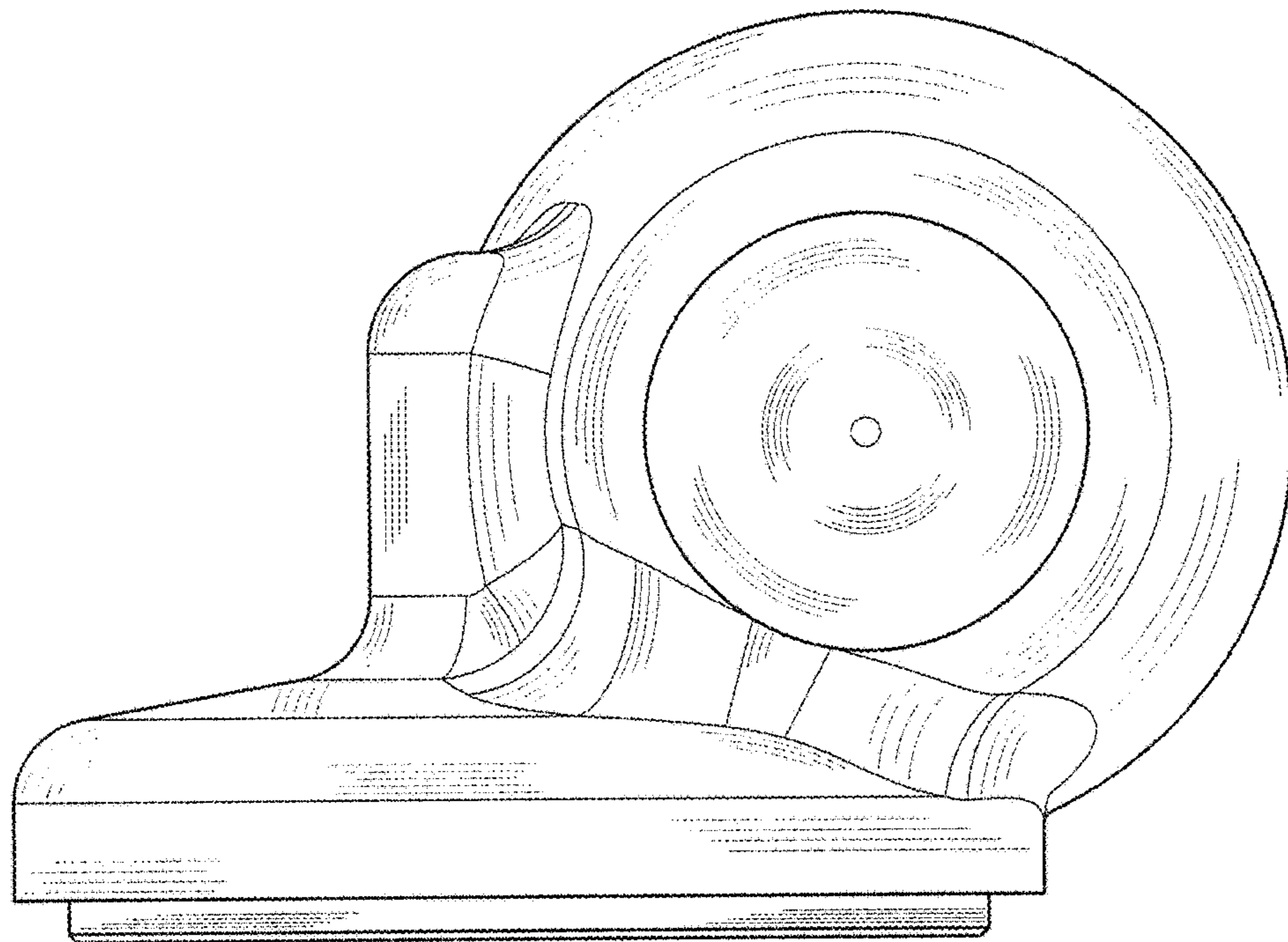


FIGURE 2

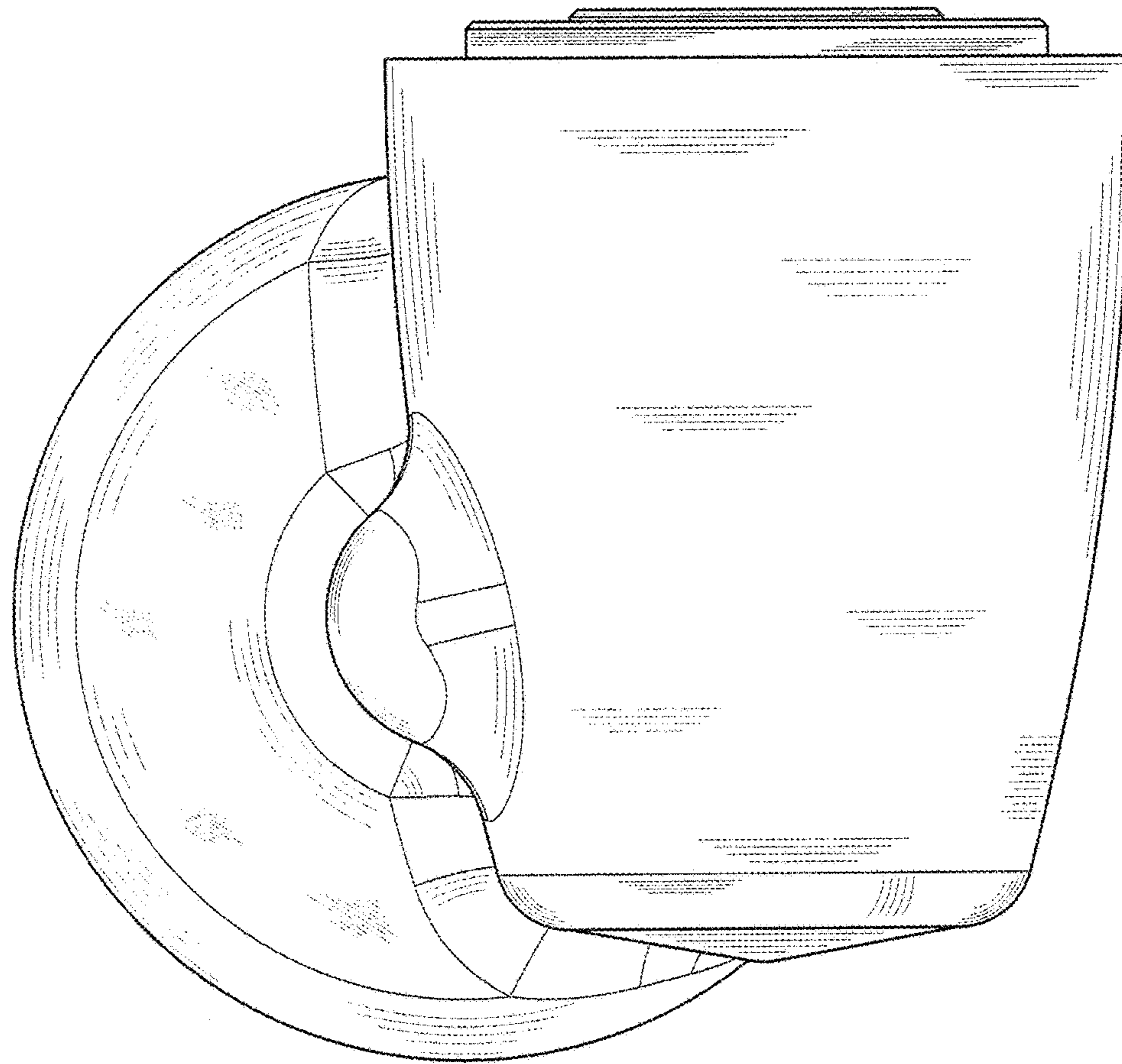


FIGURE 3

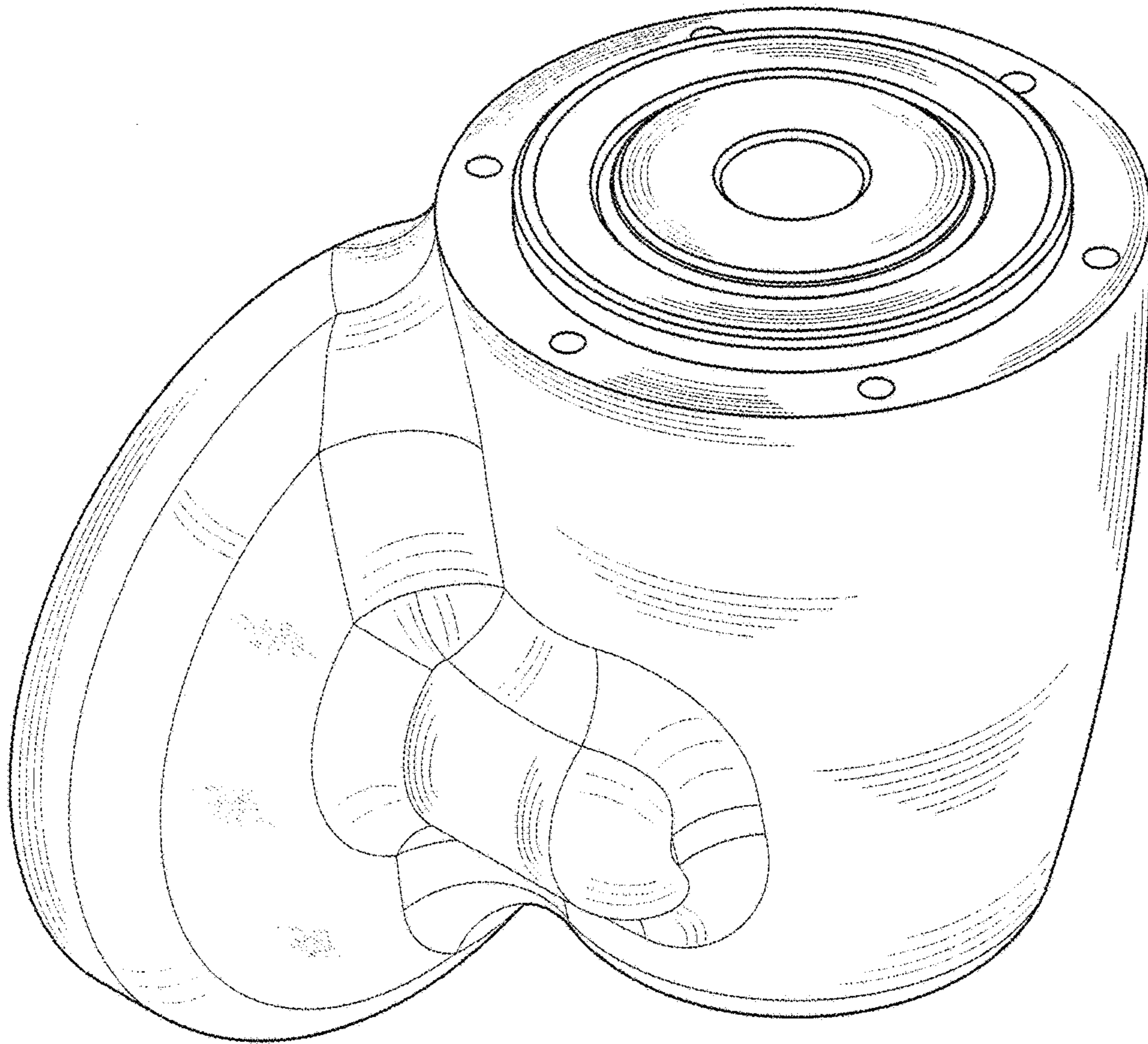


FIGURE 4

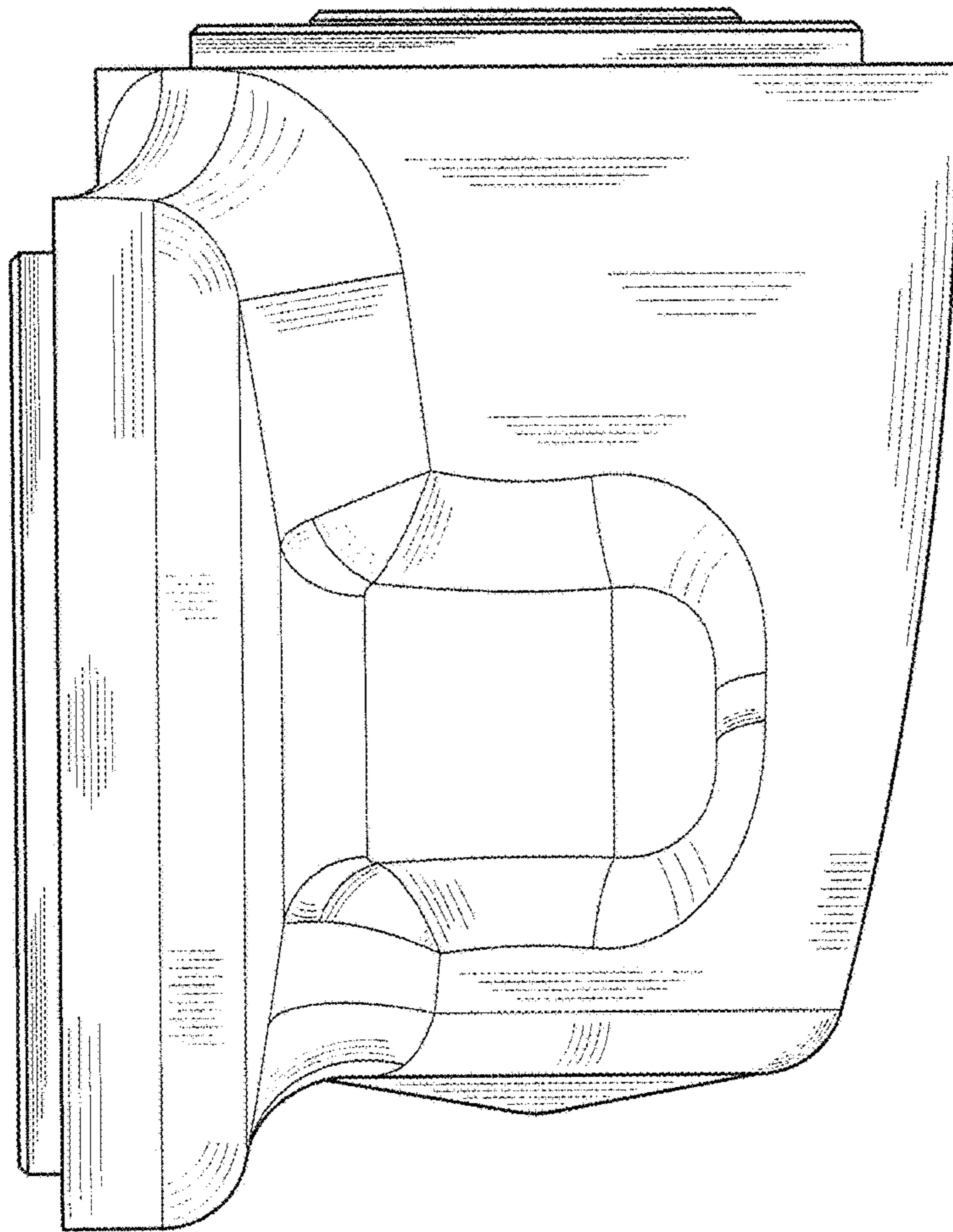


FIGURE 5

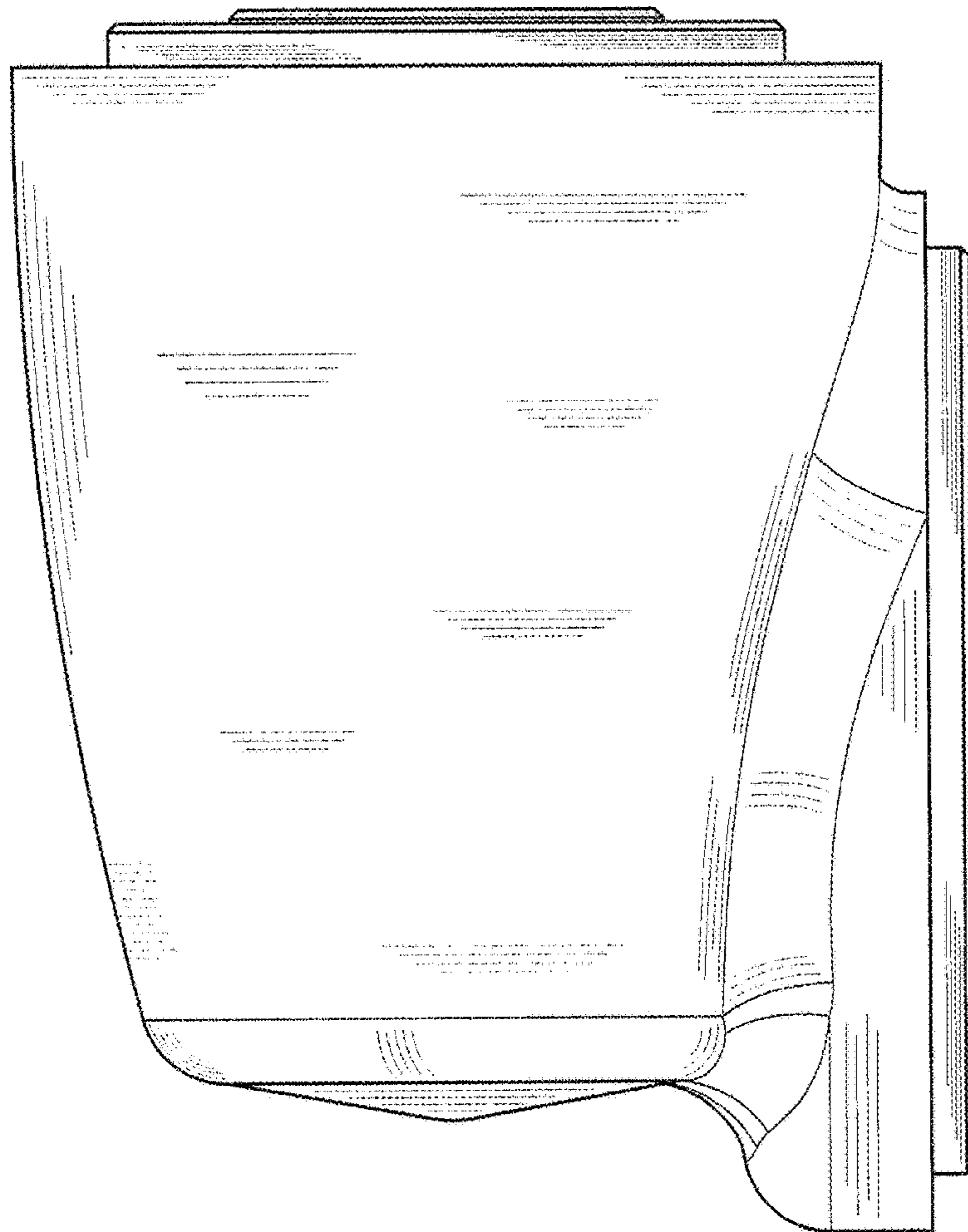


FIGURE 6

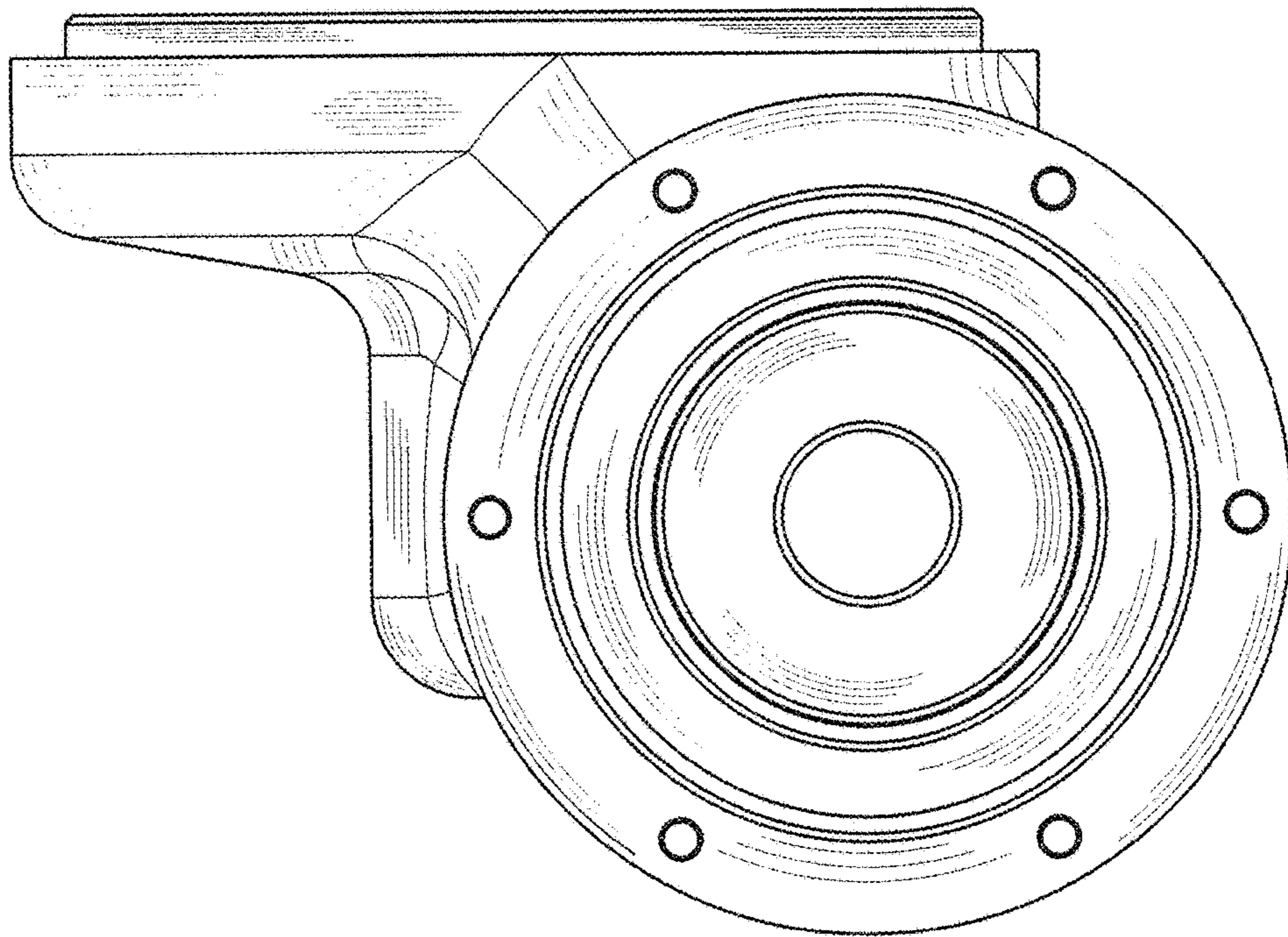


FIGURE 7