



US00D771727S

(12) **United States Design Patent** (10) **Patent No.:** **US D771,727 S**
Imi (45) **Date of Patent:** **** Nov. 15, 2016**

(54) **TORCH**
(71) Applicant: **TRAFIMET S.P.A.**, Castegnero (IT)
(72) Inventor: **Attilio Imi**, Pagnacco (IT)
(73) Assignee: **TRAFIMET S.P.A.**, Castegnero (VI) (IT)
(**) Term: **14 Years**
(21) Appl. No.: **29/515,683**
(22) Filed: **Jan. 26, 2015**
(30) **Foreign Application Priority Data**
Aug. 5, 2014 (EM) 002514752-0001
Aug. 5, 2014 (EM) 002514752-0002
(51) **LOC (10) Cl.** **15-09**
(52) **U.S. Cl.**
USPC **D15/144**
(58) **Field of Classification Search**
USPC D8/30, 107, 303; D15/144, 144.1, D15/144.2
See application file for complete search history.

D532,432 S * 11/2006 Owens D15/144
D535,166 S * 1/2007 Kensrue D8/30
D537,092 S * 2/2007 Owens D15/144
D555,446 S * 11/2007 Picaza Ibarro D15/144
D638,270 S * 5/2011 Flattinger D8/107
8,952,294 B2 * 2/2015 Serio B23K 9/173
219/137.31
D735,002 S * 7/2015 Bondy D8/30
D749,656 S * 2/2016 Stephens D15/144
D750,144 S * 2/2016 Stephens D15/144
D750,145 S * 2/2016 Stephens D15/144
D752,403 S * 3/2016 Kindig D15/144
2004/0020909 A1 * 2/2004 Bauer B23K 9/10
219/137.31
2007/0164006 A1 * 7/2007 Burgstaller B23K 9/0953
219/130.01
2011/0062131 A1 * 3/2011 Binzel B23K 9/1087
219/136
2011/0073581 A1 * 3/2011 Ma B23K 9/123
219/137.31

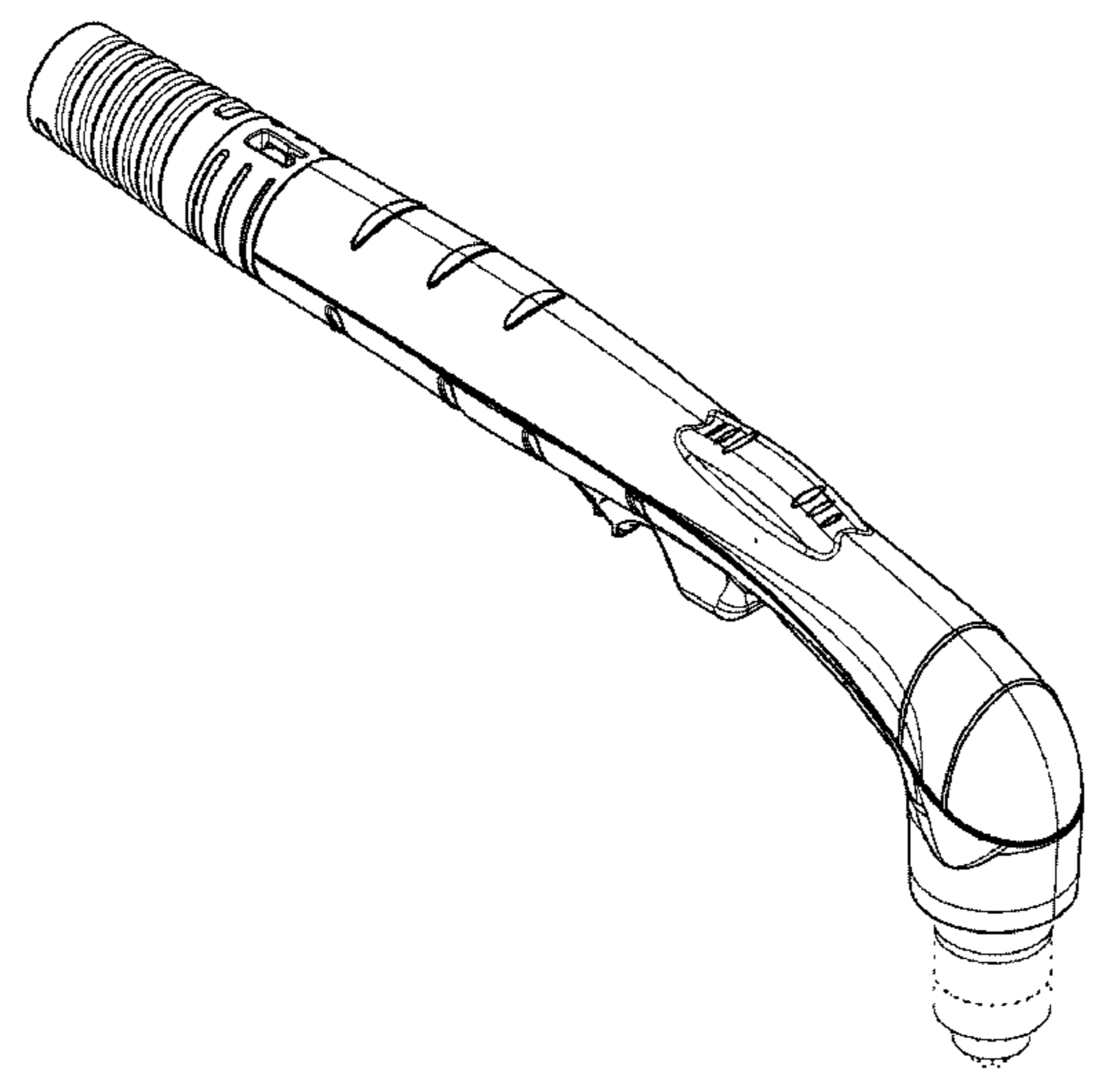
* cited by examiner
Primary Examiner — Patricia Palasik
(74) *Attorney, Agent, or Firm* — Fattibene and Fattibene LL; Paul A. Fattibene

(57) **CLAIM**
The ornamental design for a torch, as shown and described.

(56) **References Cited**
U.S. PATENT DOCUMENTS
D207,977 S * 6/1967 Kensrue D15/144
D221,612 S * 8/1971 Meese D8/107
D261,476 S * 10/1981 O'Donnell D8/30
D329,971 S * 10/1992 Pryor D8/30
D334,517 S * 4/1993 Ingwersen D8/30
D343,629 S * 1/1994 Bode D15/144
D350,884 S * 9/1994 Sperling D8/30
D350,885 S * 9/1994 Sperling D8/30
D382,500 S * 8/1997 Johnson D10/101
6,025,574 A * 2/2000 Colangelo, Jr. B23K 9/295
200/43.17
6,998,575 B1 * 2/2006 Kensrue B23K 9/133
219/137.31

DESCRIPTION
FIG. 1 is a front perspective view of a first embodiment of a torch showing the new design;
FIG. 2 is a right side elevation view thereof;
FIG. 3 is a left side elevation view thereof;
FIG. 4 is a top plan view thereof;
FIG. 5 is a bottom plan view thereof;
FIG. 6 is a rear elevation view thereof; and,
FIG. 7 is a front elevation view thereof.
The broken lines in the drawings depict unclaimed environmental subject matter.

1 Claim, 7 Drawing Sheets



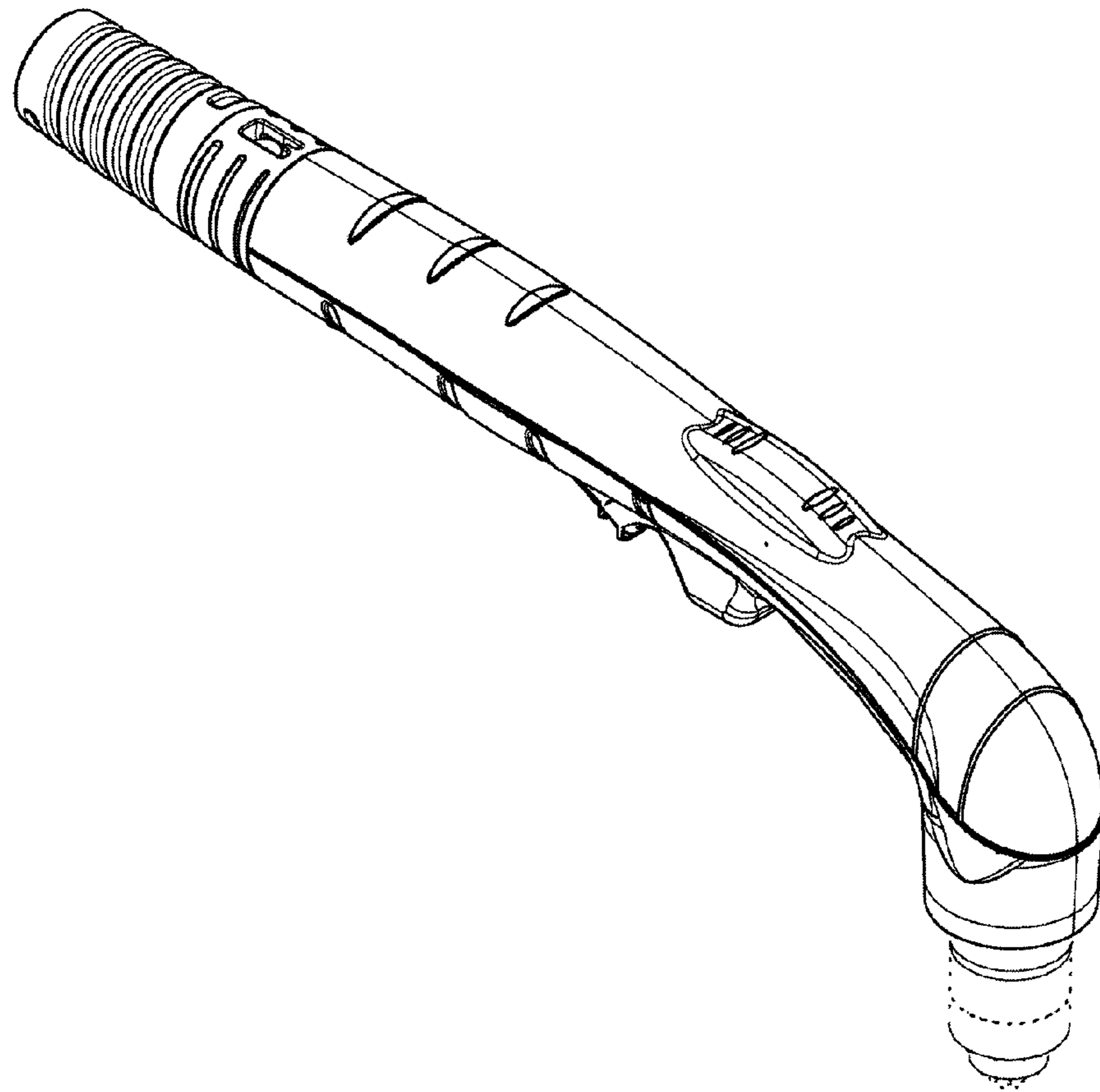


Fig. 1

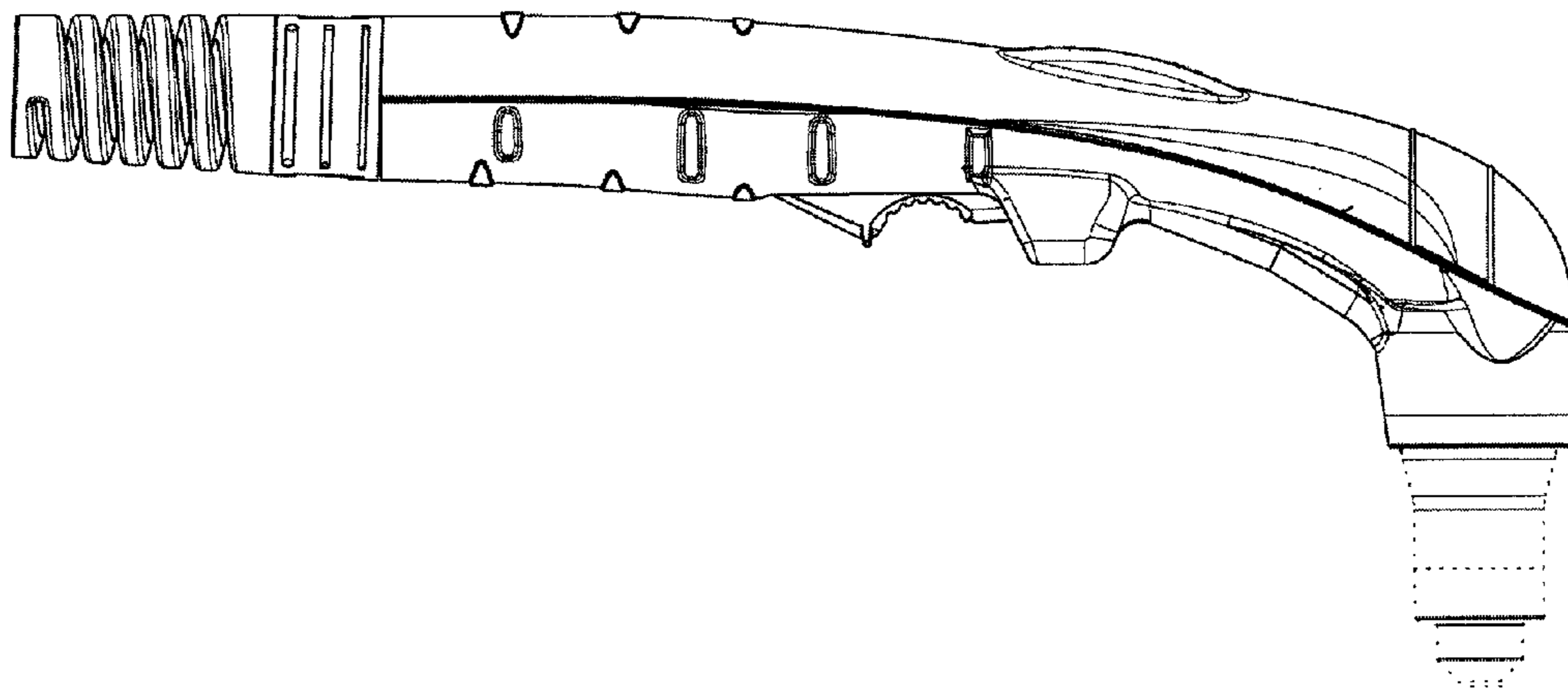


Fig. 2

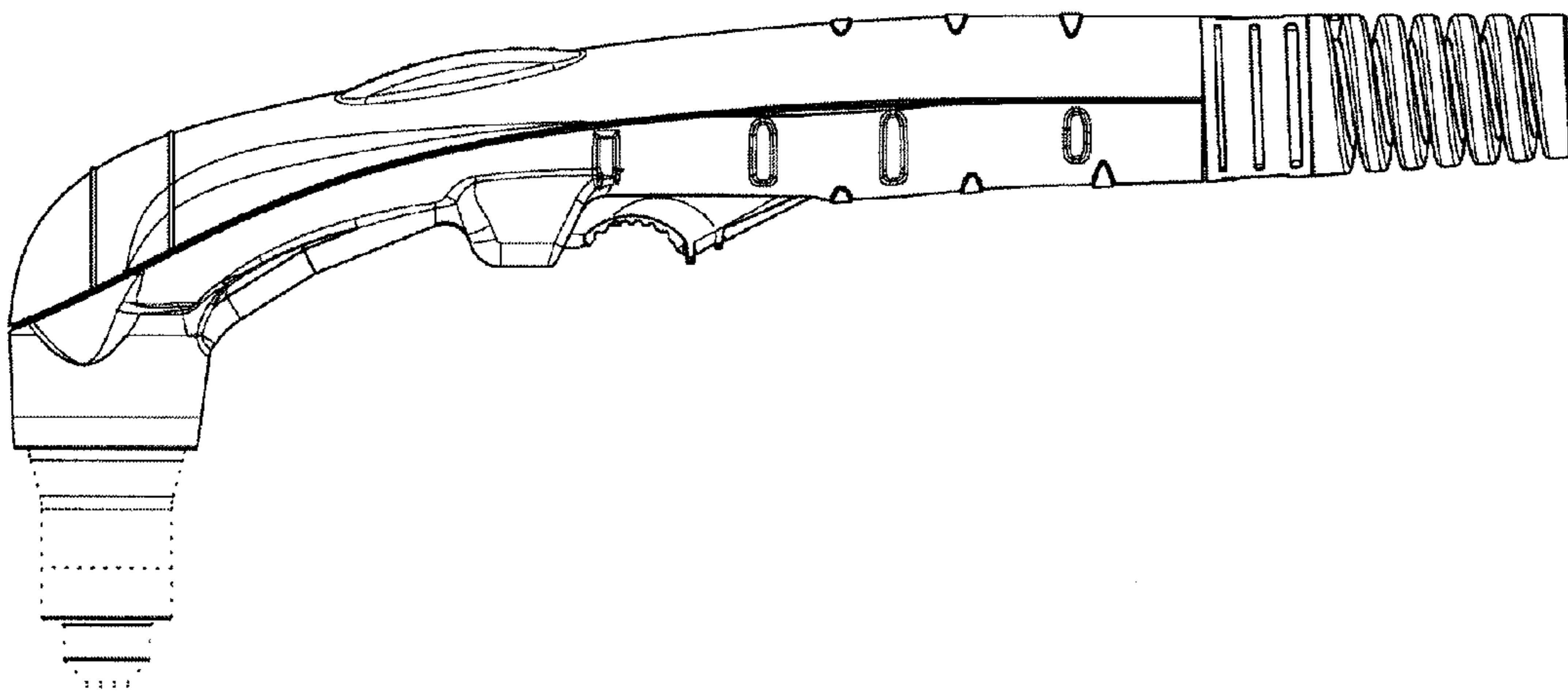


Fig. 3

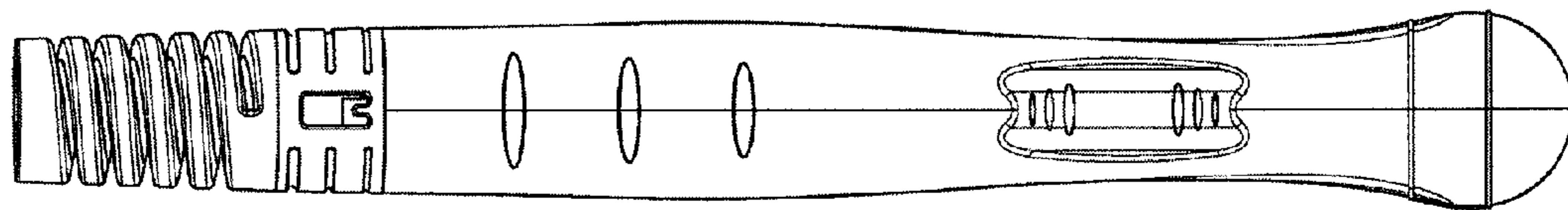


Fig. 4

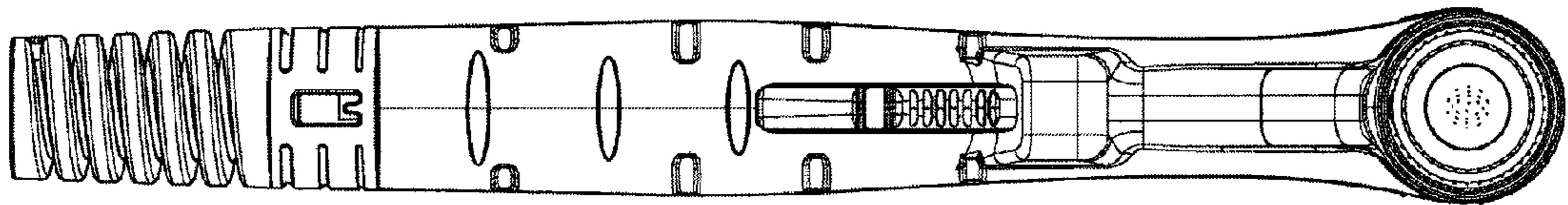


Fig. 5

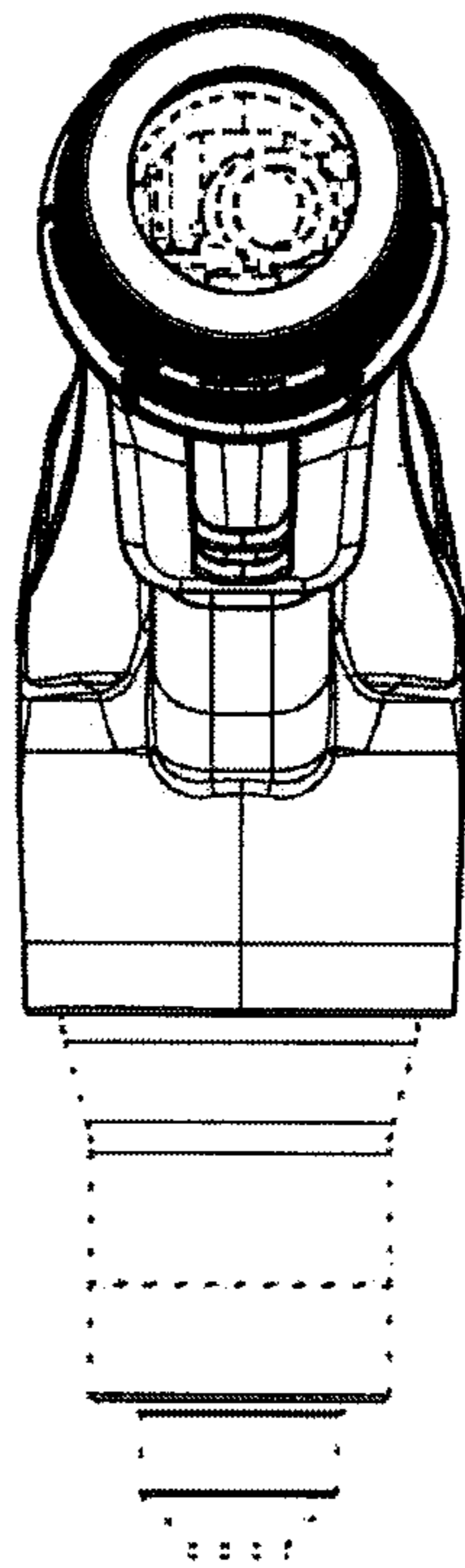


Fig. 6

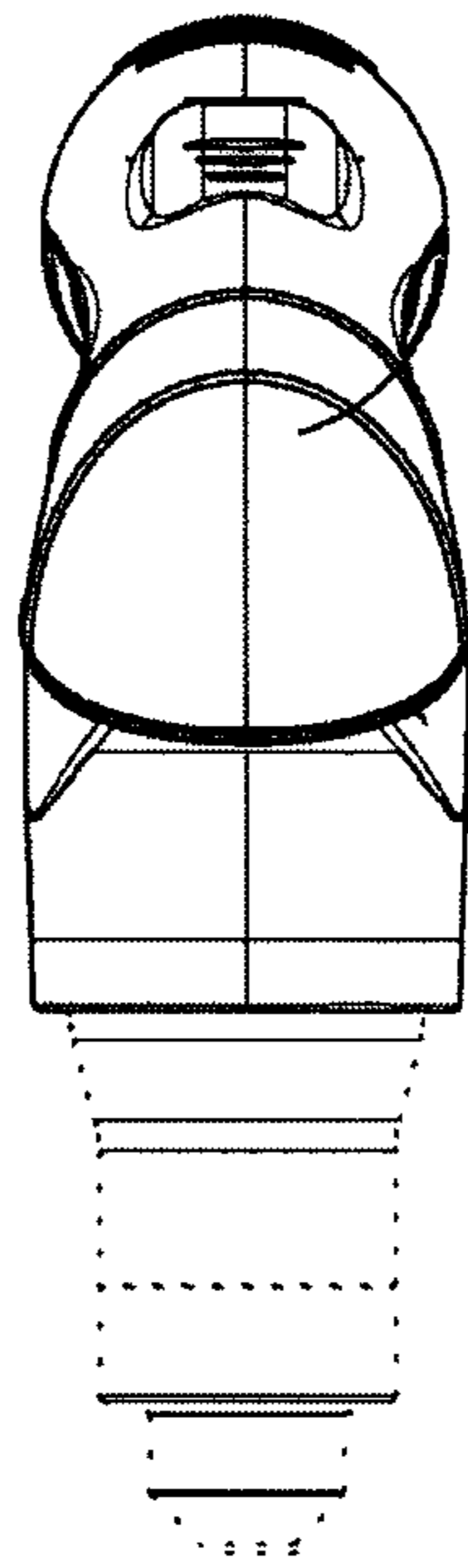


Fig. 7