



US00D771726S

(12) **United States Design Patent** (10) **Patent No.:** **US D771,726 S**  
**Nam et al.** (45) **Date of Patent:** **\*\* Nov. 15, 2016**

(54) **CUTTING INSERT**  
(71) Applicant: **KORLOY INC.**, Seoul (KR)  
(72) Inventors: **Ki Chan Nam**, Cheongju-si (KR); **Min Seok Oh**, Cheongju-si (KR); **Hyo San Kim**, Cheongju-si (KR)  
(73) Assignee: **KORLOY INC.**, Seoul (KR)  
(\*\*) Term: **15 Years**  
(21) Appl. No.: **29/539,438**  
(22) Filed: **Sep. 14, 2015**  
(30) **Foreign Application Priority Data**

Mar. 18, 2015 (KR) ..... 30-2015-0013593

(51) **LOC (10) Cl.** ..... **15-09**  
(52) **U.S. Cl.**  
USPC ..... **D15/139**  
(58) **Field of Classification Search**  
USPC ..... D8/20, 70; D15/126, 131, 138, 139,  
D15/140  
See application file for complete search history.

(56) **References Cited**

**U.S. PATENT DOCUMENTS**

D344,276 S \* 2/1994 Markusson ..... D15/139  
D389,496 S \* 1/1998 Muren ..... D15/139  
D393,270 S \* 4/1998 Muren ..... D15/139  
D395,663 S \* 6/1998 Muren ..... D15/139  
D425,086 S \* 5/2000 Bernadic ..... D15/139  
D426,245 S \* 6/2000 Bernadic ..... D15/139  
D429,261 S \* 8/2000 Hartlohner ..... D15/139  
D431,579 S \* 10/2000 Hartlohner ..... D15/139  
D436,608 S \* 1/2001 Hartlohner ..... D15/139  
D448,393 S \* 9/2001 Hartlohner ..... D15/139  
D481,048 S \* 10/2003 Brockett ..... D15/139  
D485,852 S \* 1/2004 Arvidsson ..... D15/139  
D487,281 S \* 3/2004 Roman ..... D15/139

D487,755 S \* 3/2004 Kasperik ..... D15/139  
D487,759 S \* 3/2004 Kasperik ..... D15/139  
D488,175 S \* 4/2004 Kasperik ..... D15/139  
D488,176 S \* 4/2004 Kasperik ..... D15/139  
D503,181 S \* 3/2005 Kasperik ..... D15/139  
D522,025 S \* 5/2006 Niebauer ..... D15/139  
D523,039 S \* 6/2006 Niebauer ..... D15/139  
D523,040 S \* 6/2006 Niebauer ..... D15/139  
D550,730 S \* 9/2007 Nicholas ..... D15/140  
D555,684 S \* 11/2007 Waggle ..... D15/139  
D635,598 S \* 4/2011 Widin ..... D15/139  
D637,214 S \* 5/2011 Saito ..... D15/139  
D638,041 S \* 5/2011 Saito ..... D15/139  
D688,716 S \* 8/2013 Lampe ..... D15/139  
D710,917 S \* 8/2014 Jung ..... D15/139  
D714,849 S \* 10/2014 Choi ..... D15/139  
D736,841 S \* 8/2015 Jung ..... D15/139  
D744,557 S \* 12/2015 Koike ..... D15/139  
D748,703 S \* 2/2016 Nam ..... D15/139  
D752,664 S \* 3/2016 Jung ..... D15/139  
D755,267 S \* 5/2016 Lee ..... D15/139

\* cited by examiner

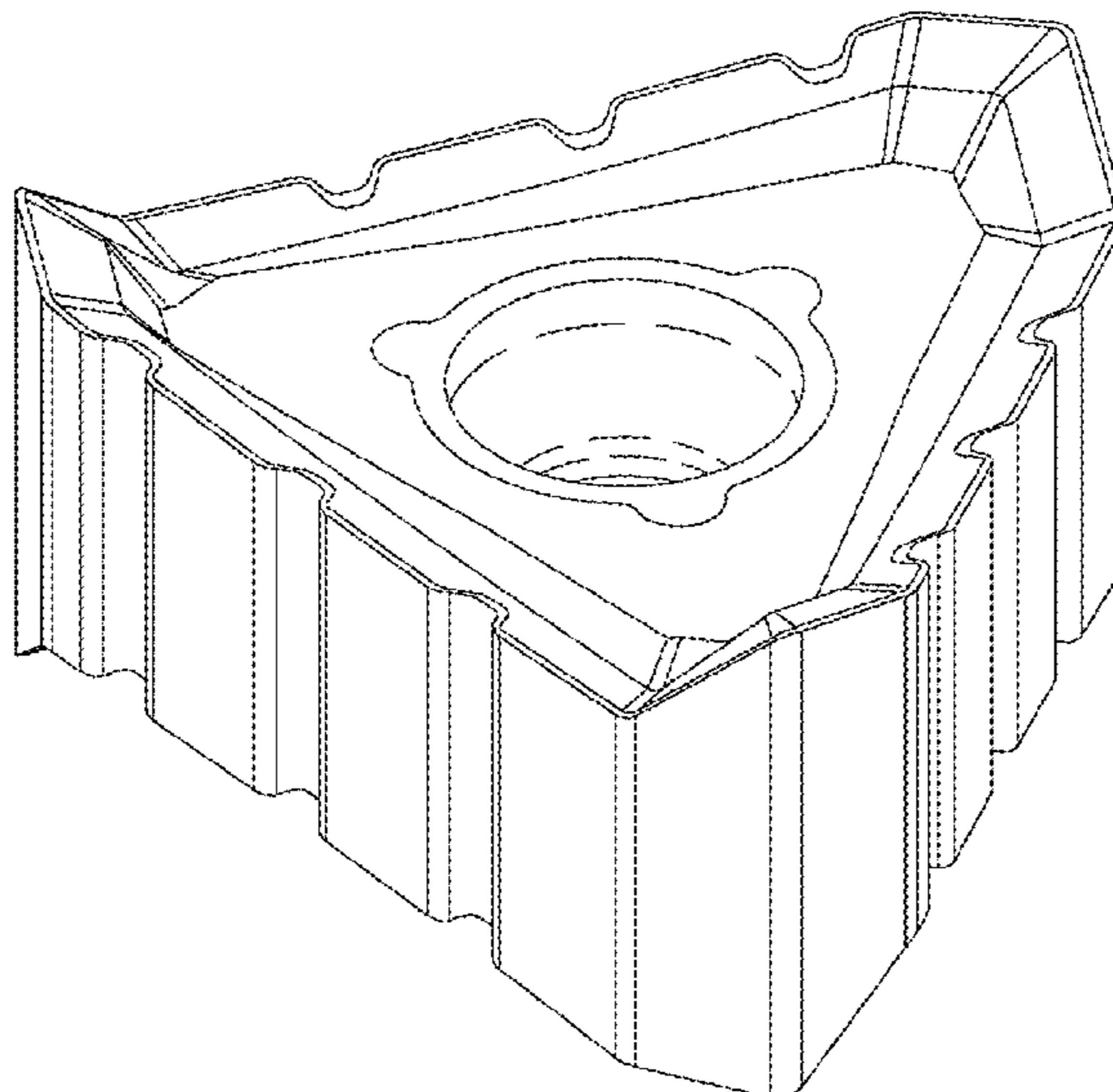
*Primary Examiner* — Patricia Palasik  
(74) *Attorney, Agent, or Firm* — Rabin & Berdo, P.C.

(57) **CLAIM**  
The ornamental design for a cutting insert, as shown and described.

**DESCRIPTION**

FIG. 1 is a perspective view of a cutting insert showing my new design;  
FIG. 2 is a front elevational view thereof;  
FIG. 3 is a rear elevational view thereof;  
FIG. 4 is a left side elevational view thereof;  
FIG. 5 is a right side elevational view thereof;  
FIG. 6 is a top plan view thereof; and,  
FIG. 7 is a bottom plan view thereof.  
The broken lines in the drawings depict unclaimed environmental subject matter.

**1 Claim, 7 Drawing Sheets**



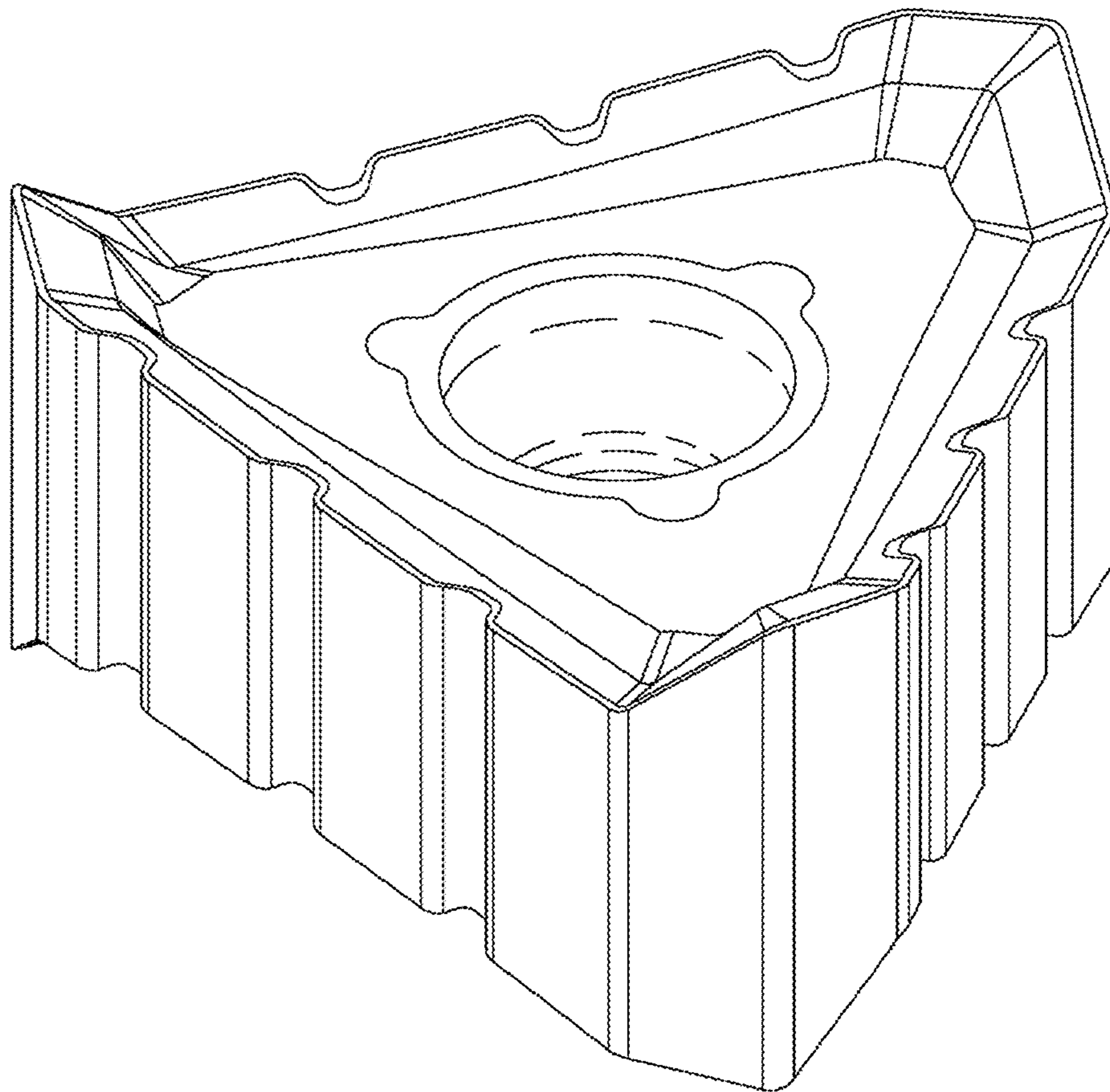


FIG. 1

FIG. 2

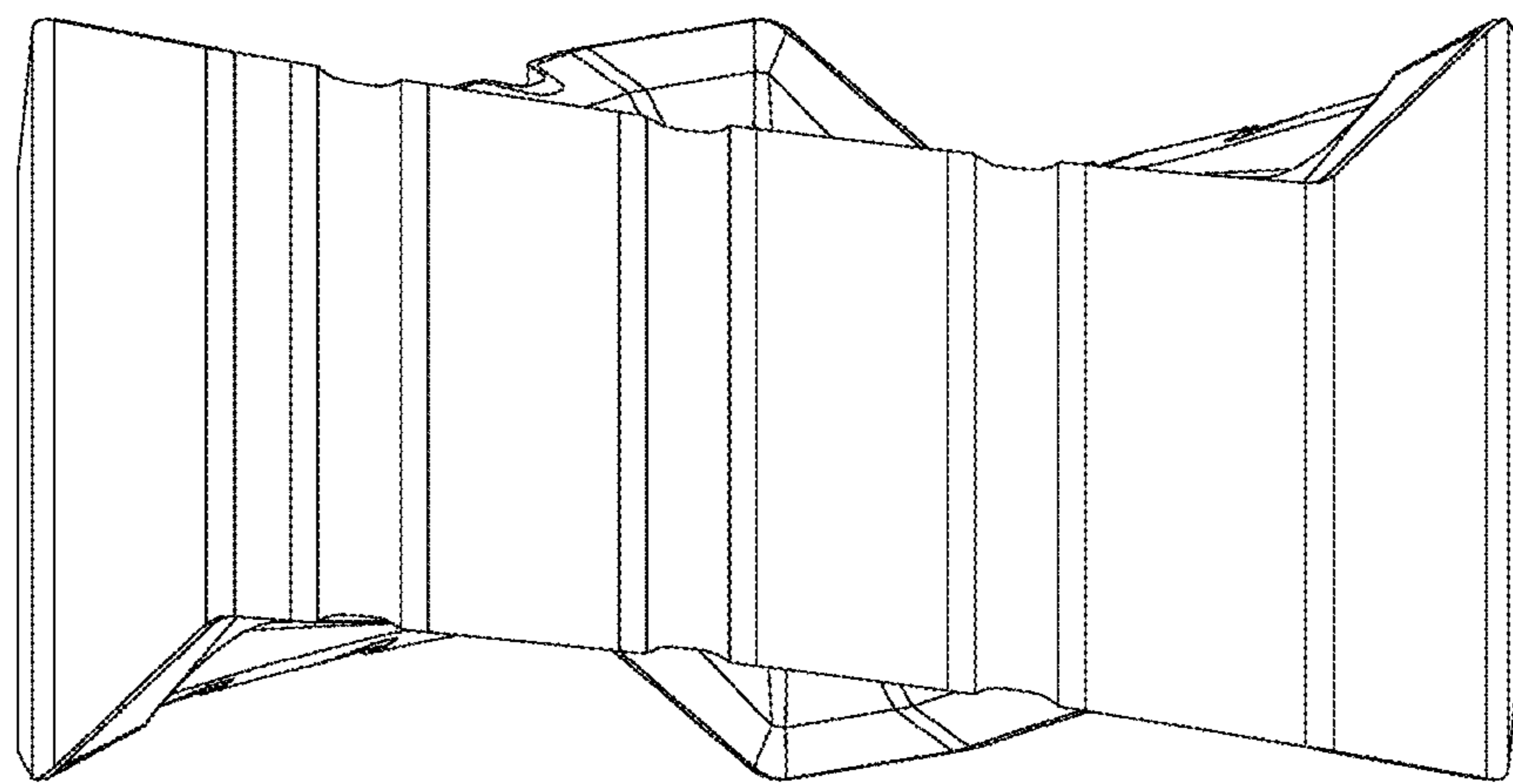


FIG. 3

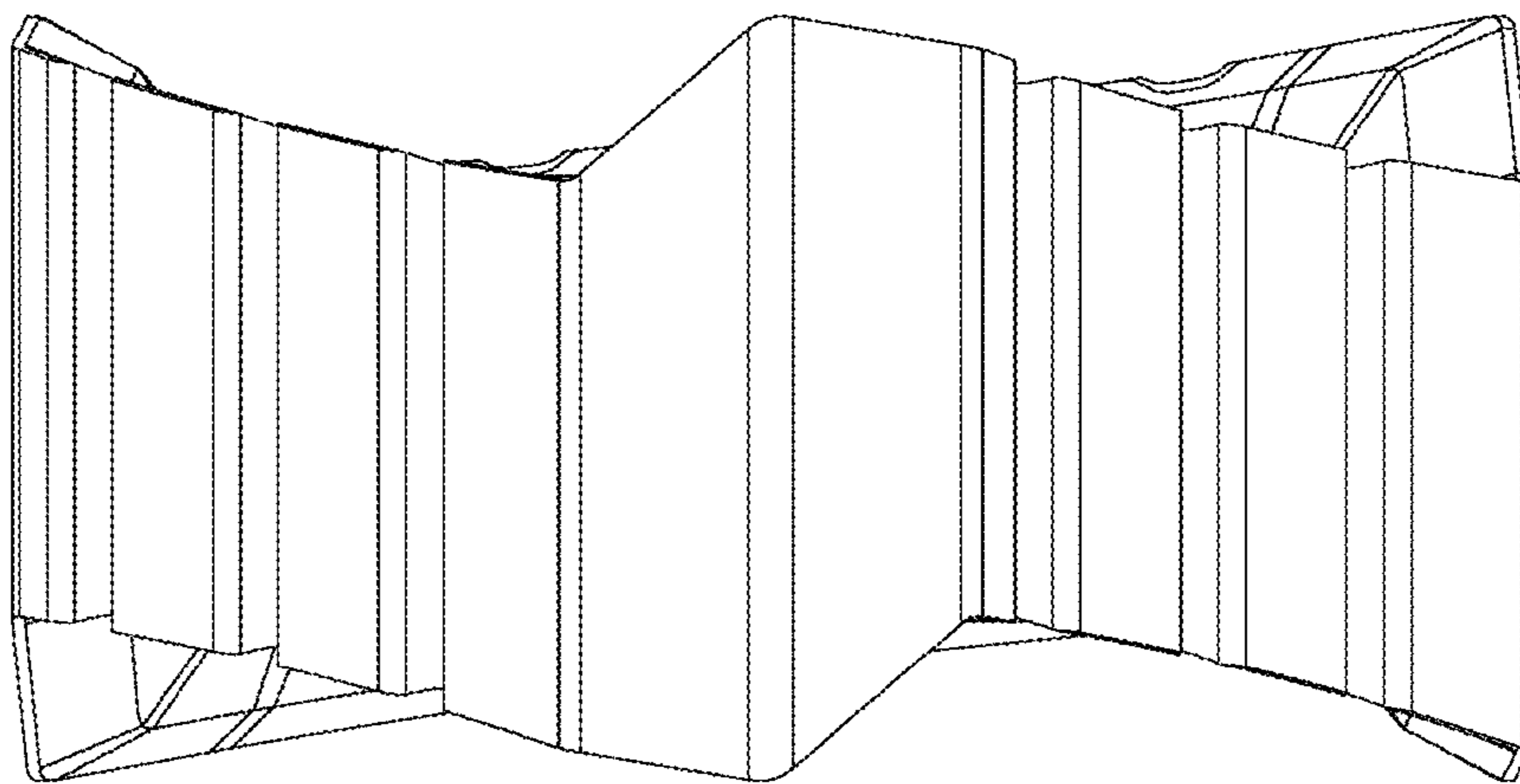


FIG. 4

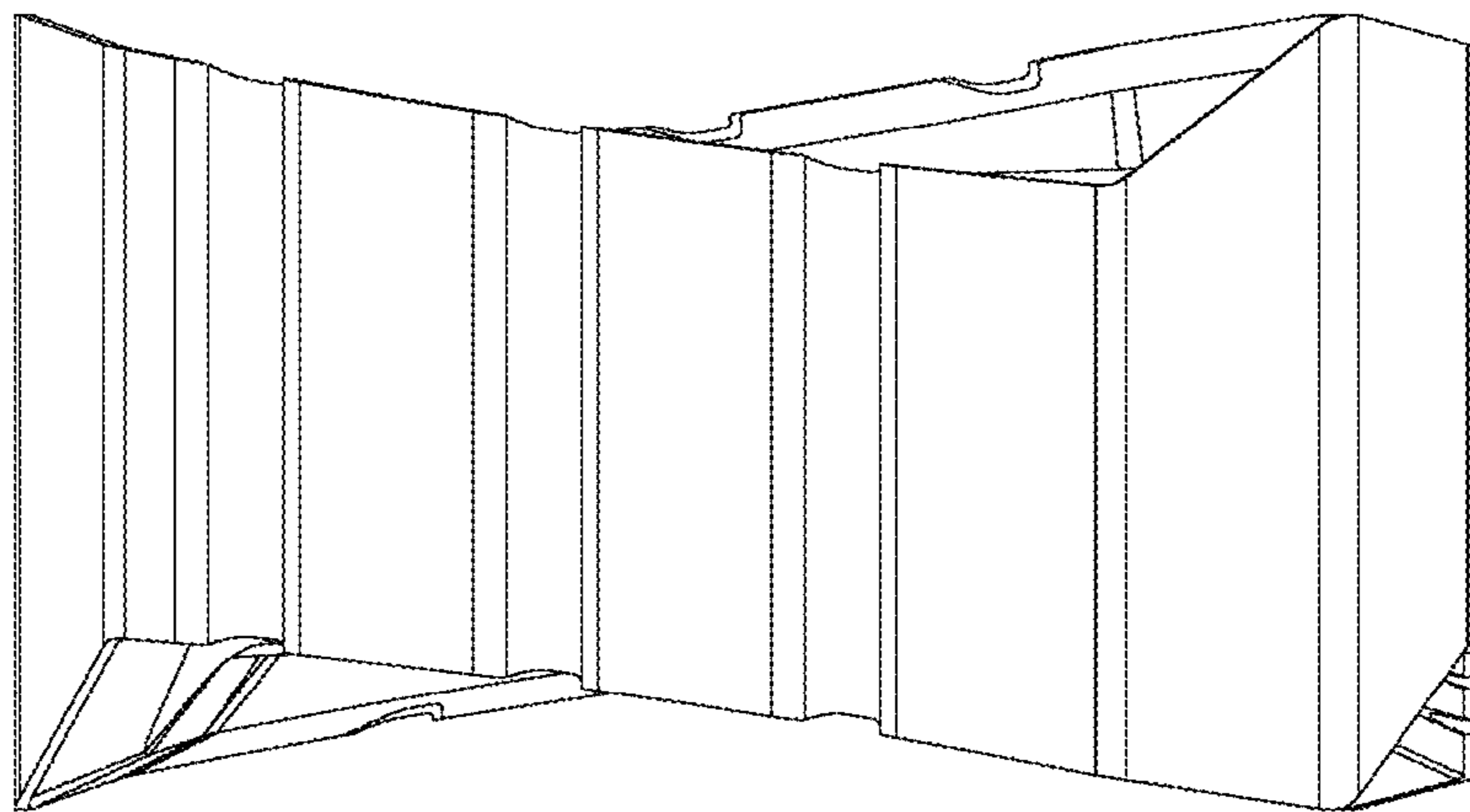


FIG. 5

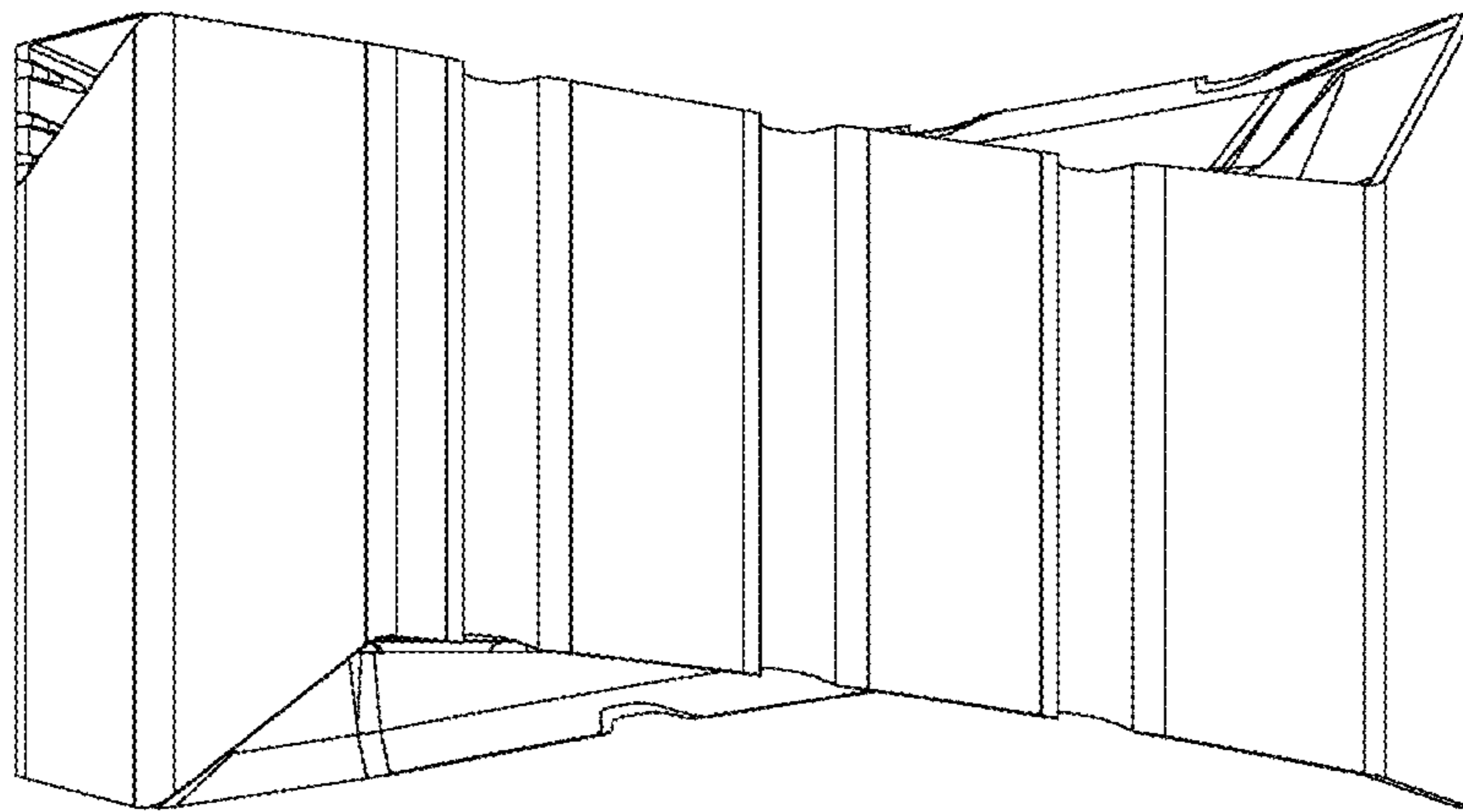


FIG. 6

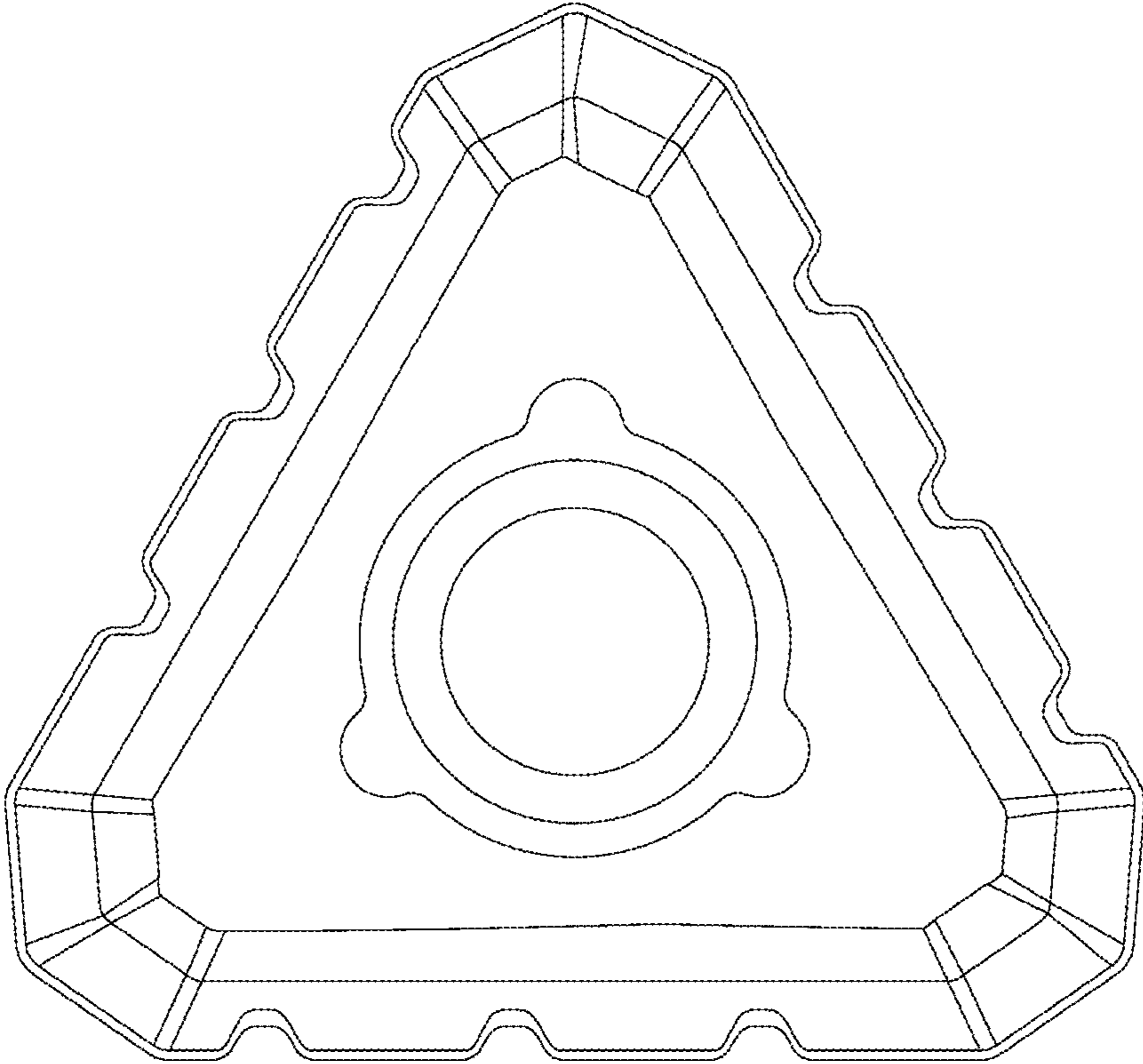


FIG. 7

