



US00D771723S

(12) **United States Design Patent** (10) **Patent No.:** **US D771,723 S**
Chang (45) **Date of Patent:** **** Nov. 15, 2016**

(54) **DYEING MACHINE**
(71) Applicant: **Chi-Lung Chang**, Taoyuan (TW)
(72) Inventor: **Chi-Lung Chang**, Taoyuan (TW)
(**) Term: **15 Years**
(21) Appl. No.: **29/535,097**
(22) Filed: **Aug. 4, 2015**
(30) **Foreign Application Priority Data**
May 20, 2015 (EM) 002703769-0003
(51) **LOC (10) Cl.** **15-06**
(52) **U.S. Cl.**
USPC **D15/66**
(58) **Field of Classification Search**
USPC D15/66, 199
CPC D06B 3/00-3/36; D06B 5/00-5/26;
D06B 21/00; D06B 21/02
See application file for complete search history.

(56) **References Cited**
U.S. PATENT DOCUMENTS
3,788,809 A * 1/1974 Carpenter D06B 3/28
8/152
4,020,658 A * 5/1977 Thies, Jr. D06B 3/28
68/148
4,578,085 A * 3/1986 Ishimaru D06B 3/28
26/21
4,928,338 A * 5/1990 Magin D06B 21/02
8/149.1
4,936,119 A * 6/1990 Thompson D06B 3/28
68/178
5,129,242 A * 7/1992 Sturkey D06B 3/28
68/178
D333,667 S * 3/1993 Yun D15/199

D339,359 S * 9/1993 Scholl D15/66
5,425,254 A * 6/1995 Fang-Ping D06B 3/28
68/177
5,566,559 A * 10/1996 Chen D06B 3/28
68/177
5,621,937 A * 4/1997 Georgantas D06B 3/28
68/177
D399,216 S * 10/1998 Ishimaru D15/66
D400,222 S * 10/1998 Chang D15/199
5,931,026 A * 8/1999 Chang D06B 3/28
68/178
2015/0337471 A1* 11/2015 Chang D06B 3/28
68/18 F
2015/0337472 A1* 11/2015 Chang D06B 3/36
68/12.07
2015/0361607 A1* 12/2015 Chang D06B 3/10
68/18 F
2016/0122931 A1* 5/2016 Chang D06B 5/02
68/5 R
2016/0153130 A1* 6/2016 Chang D06B 3/36
700/130

* cited by examiner

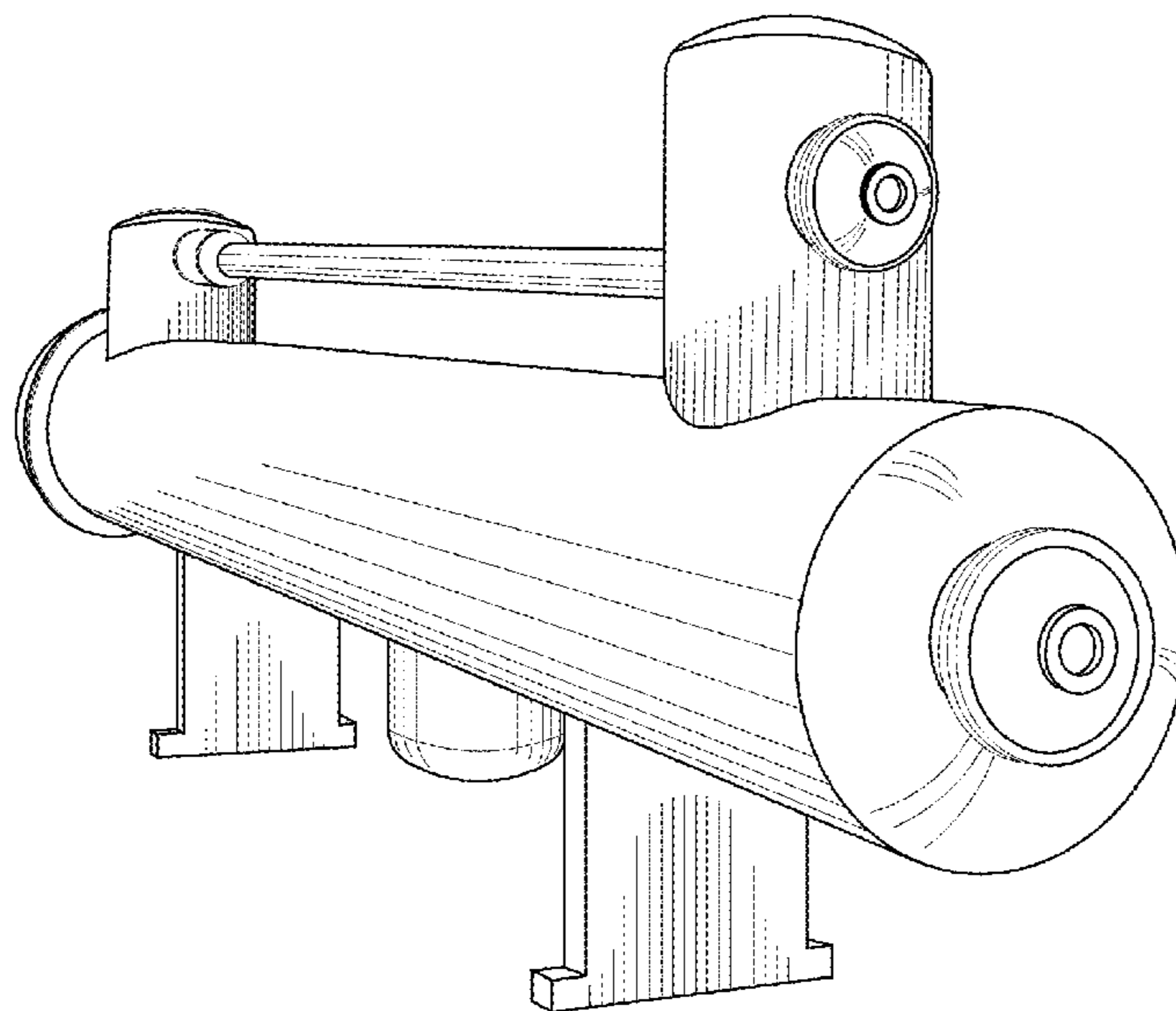
Primary Examiner — Mitchell Siegel
(74) *Attorney, Agent, or Firm* — Leong C. Lei

(57) **CLAIM**
The ornamental design for a dyeing machine, as shown and described.

DESCRIPTION

FIG. 1 is a front perspective view of a dyeing machine showing my new design;
FIG. 2 is a left elevational view thereof;
FIG. 3 is a right elevational view thereof;
FIG. 4 is a rear elevational view thereof;
FIG. 5 is a front elevational view thereof;
FIG. 6 is a top plan view thereof; and,
FIG. 7 is a bottom plan view thereof.

1 Claim, 6 Drawing Sheets



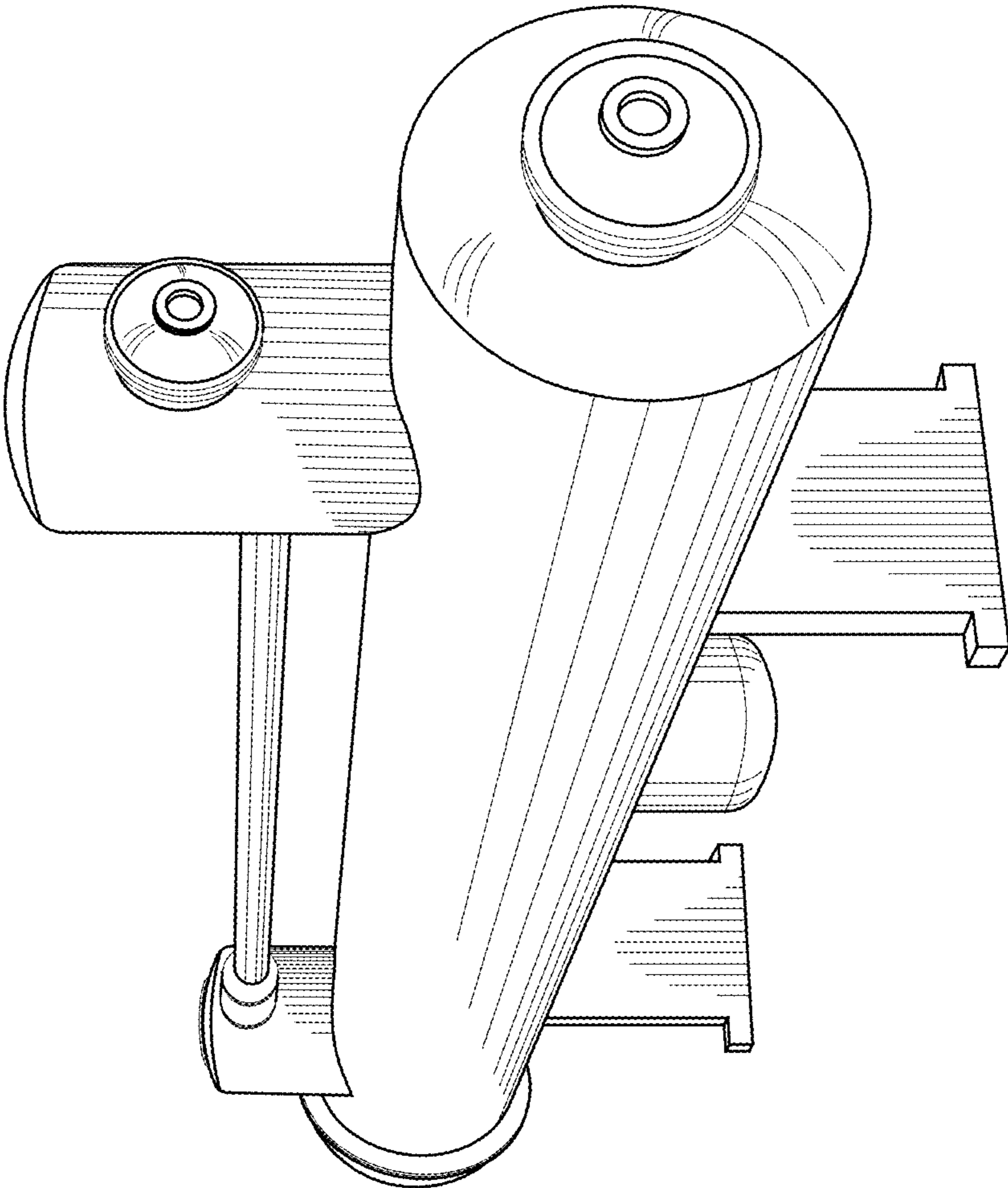


FIG. 1

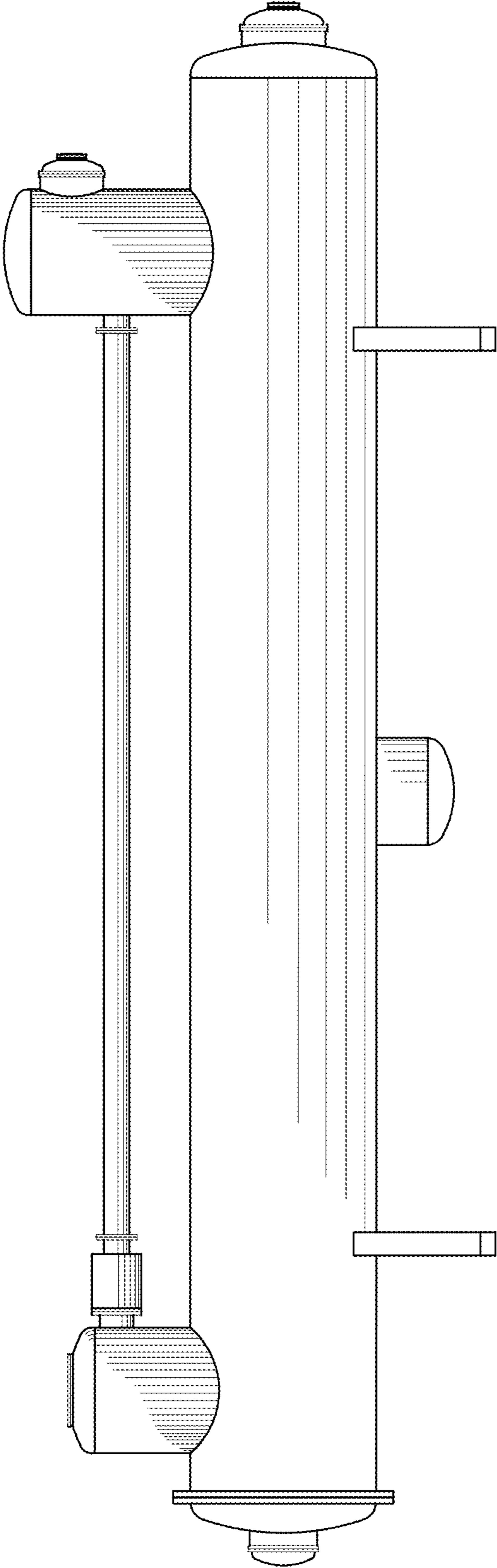


FIG. 2

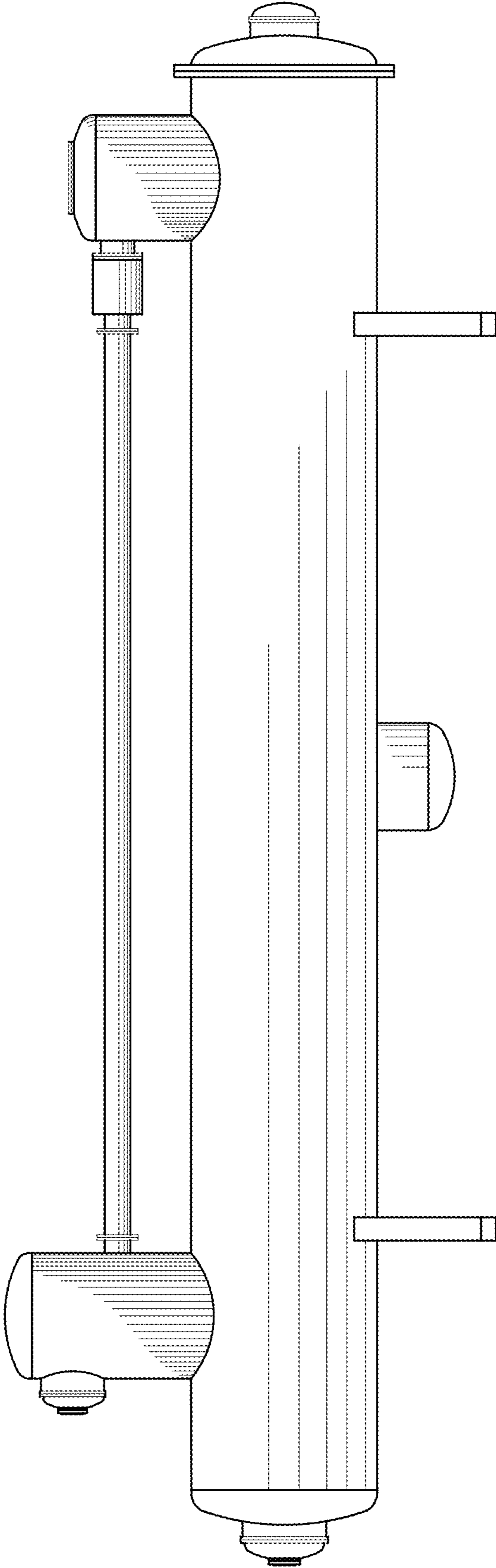


FIG. 3

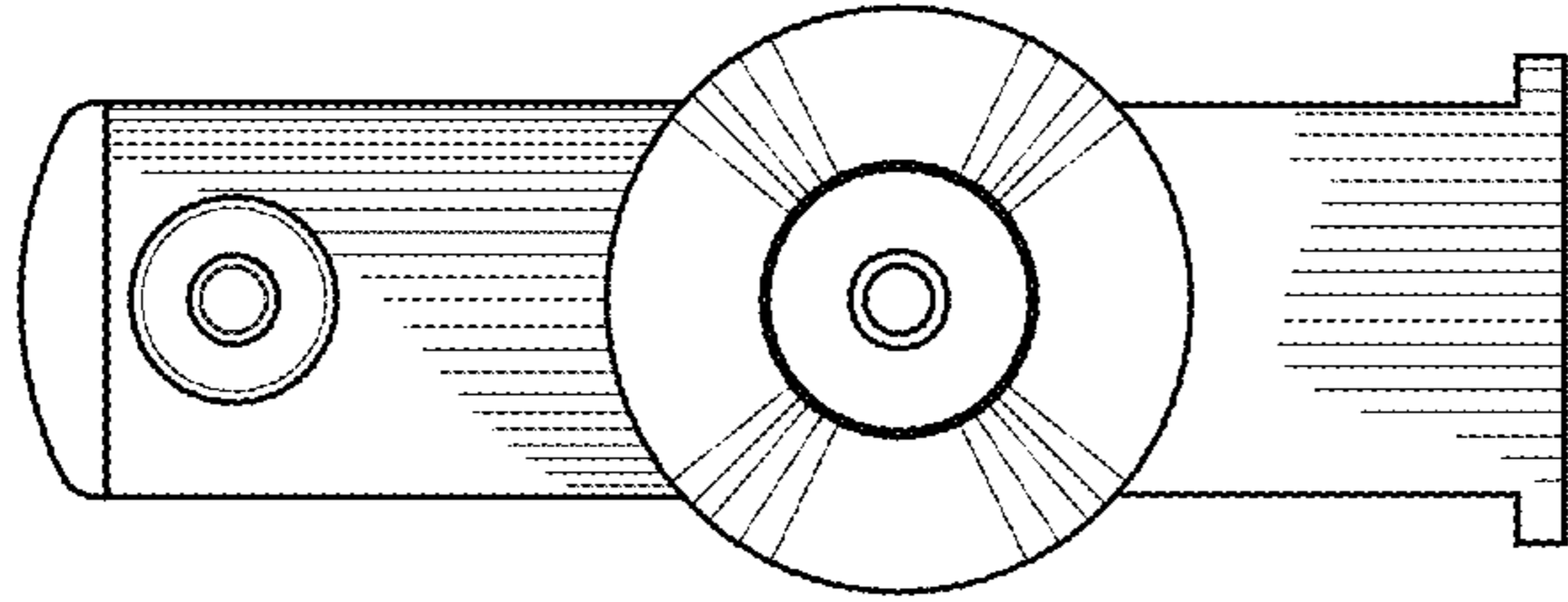


FIG. 5

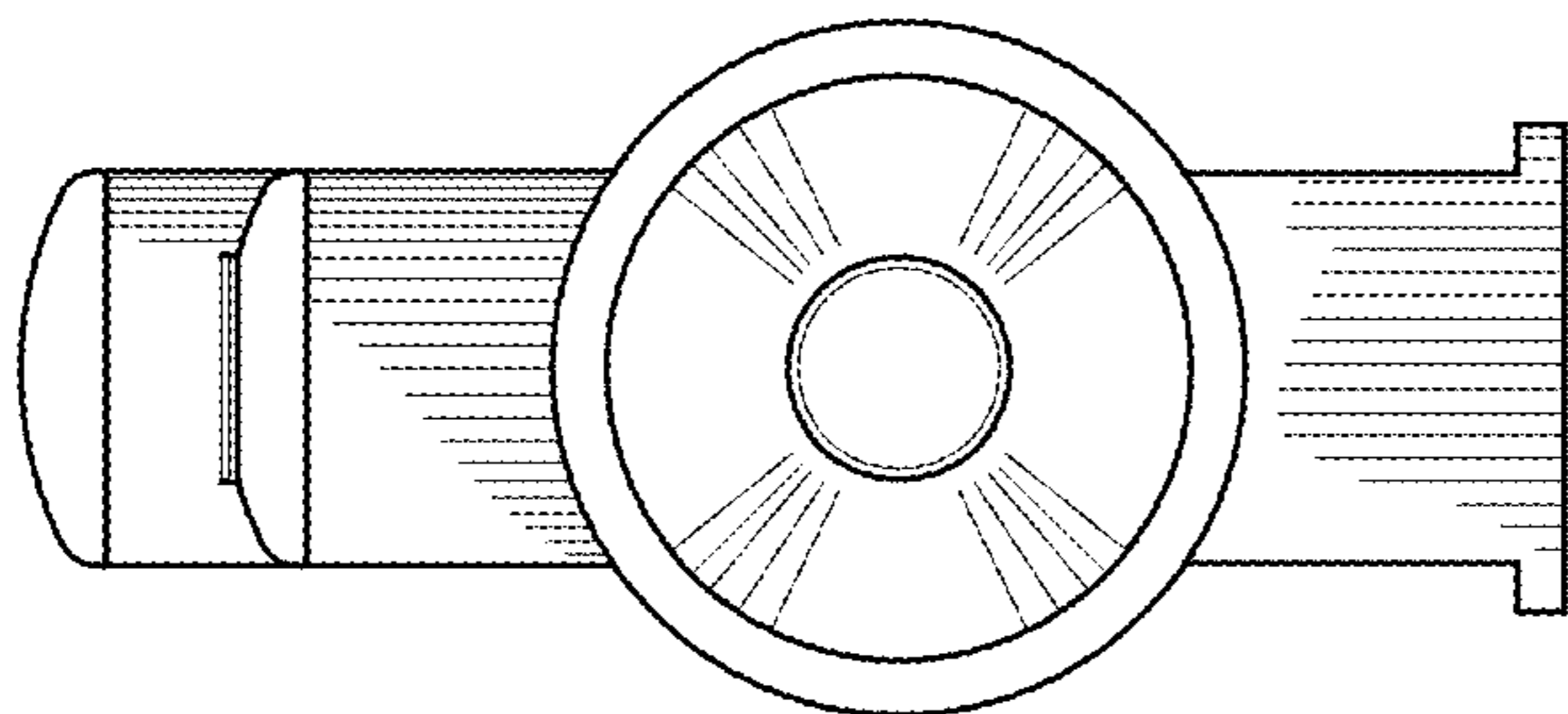


FIG. 4

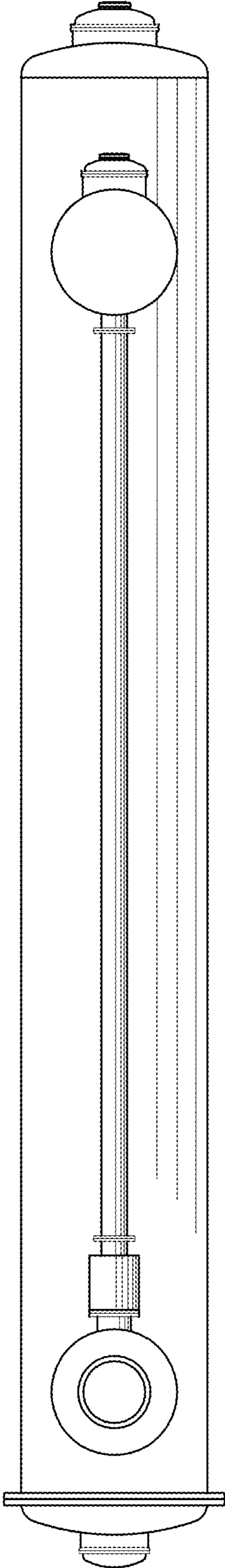


FIG. 6

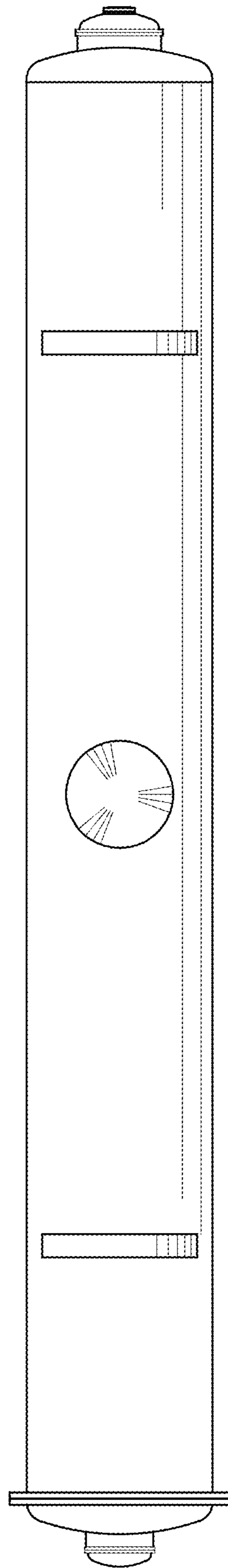


FIG. 7