



US00D771721S

(12) **United States Design Patent**  
**Chang**

(10) **Patent No.:** **US D771,721 S**

(45) **Date of Patent:** **\*\* Nov. 15, 2016**

(54) **DYEING MACHINE**

(71) Applicant: **Chi-Lung Chang**, Taoyuan (TW)

(72) Inventor: **Chi-Lung Chang**, Taoyuan (TW)

(\*\*) Term: **15 Years**

(21) Appl. No.: **29/535,095**

(22) Filed: **Aug. 4, 2015**

(30) **Foreign Application Priority Data**

May 20, 2015 (EM) ..... 002703769-0001

(51) **LOC (10) Cl.** ..... **15-06**

(52) **U.S. Cl.**  
USPC ..... **D15/66**

(58) **Field of Classification Search**  
USPC ..... D15/66, 199  
CPC ..... D06B 3/00-3/36; D06B 5/00-5/26;  
D06B 21/00; D06B 21/02  
See application file for complete search history.

(56) **References Cited**

**U.S. PATENT DOCUMENTS**

- 3,788,809 A \* 1/1974 Carpenter ..... D06B 3/28  
8/152
- 4,020,658 A \* 5/1977 Thies, Jr. .... D06B 3/28  
68/148
- 4,578,085 A \* 3/1986 Ishimaru ..... D06B 3/28  
26/21
- 4,928,338 A \* 5/1990 Magin ..... D06B 21/02  
8/149.1
- 4,936,119 A \* 6/1990 Thompson ..... D06B 3/28  
68/178
- 5,129,242 A \* 7/1992 Sturkey ..... D06B 3/28  
68/178
- D333,667 S \* 3/1993 Yun ..... D15/199

- D339,359 S \* 9/1993 Scholl ..... D15/66
- 5,425,254 A \* 6/1995 Fang-Ping ..... D06B 3/28  
68/177
- 5,566,559 A \* 10/1996 Chen ..... D06B 3/28  
68/177
- 5,621,937 A \* 4/1997 Georgantas ..... D06B 3/28  
68/177
- D399,216 S \* 10/1998 Ishimaru ..... D15/66
- D400,222 S \* 10/1998 Chang ..... D15/199
- 5,931,026 A \* 8/1999 Chang ..... D06B 3/28  
68/178
- 2015/0337471 A1\* 11/2015 Chang ..... D06B 3/28  
68/18 F
- 2015/0337472 A1\* 11/2015 Chang ..... D06B 3/36  
68/12.07
- 2015/0361607 A1\* 12/2015 Chang ..... D06B 3/10  
68/18 F
- 2016/0122931 A1\* 5/2016 Chang ..... D06B 5/02  
68/5 R
- 2016/0153130 A1\* 6/2016 Chang ..... D06B 3/36  
700/130

\* cited by examiner

*Primary Examiner* — Mitchell Siegel

(74) *Attorney, Agent, or Firm* — Leong C. Lei

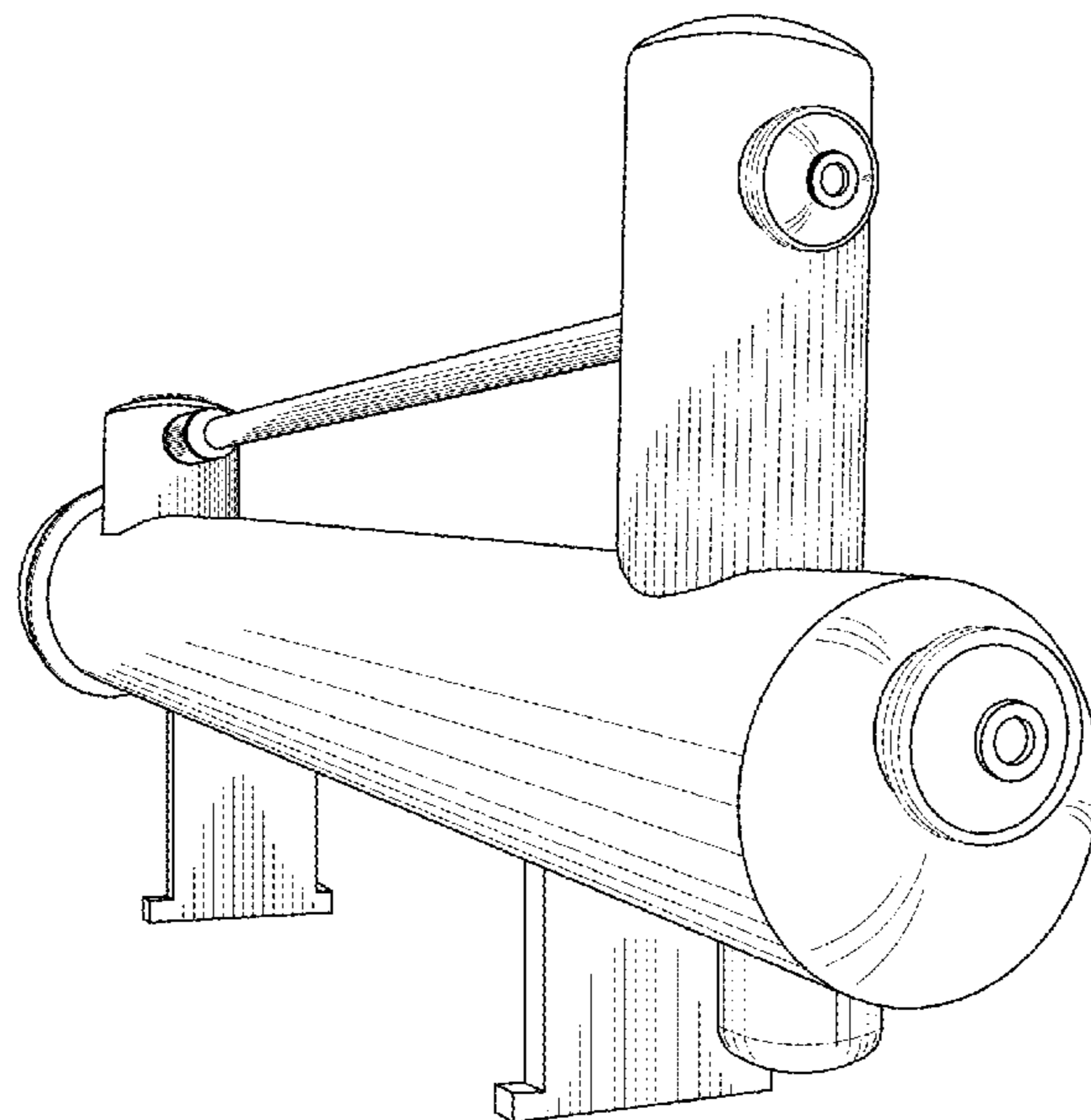
(57) **CLAIM**

The ornamental design for a dyeing machine, as shown and described.

**DESCRIPTION**

FIG. 1 is a front perspective view of a dyeing machine showing my new design;  
FIG. 2 is a left elevational view thereof;  
FIG. 3 is a right elevational view thereof;  
FIG. 4 is a rear elevational view thereof;  
FIG. 5 is a front elevational view thereof;  
FIG. 6 is a top plan view thereof; and,  
FIG. 7 is a bottom plan view thereof.

**1 Claim, 6 Drawing Sheets**



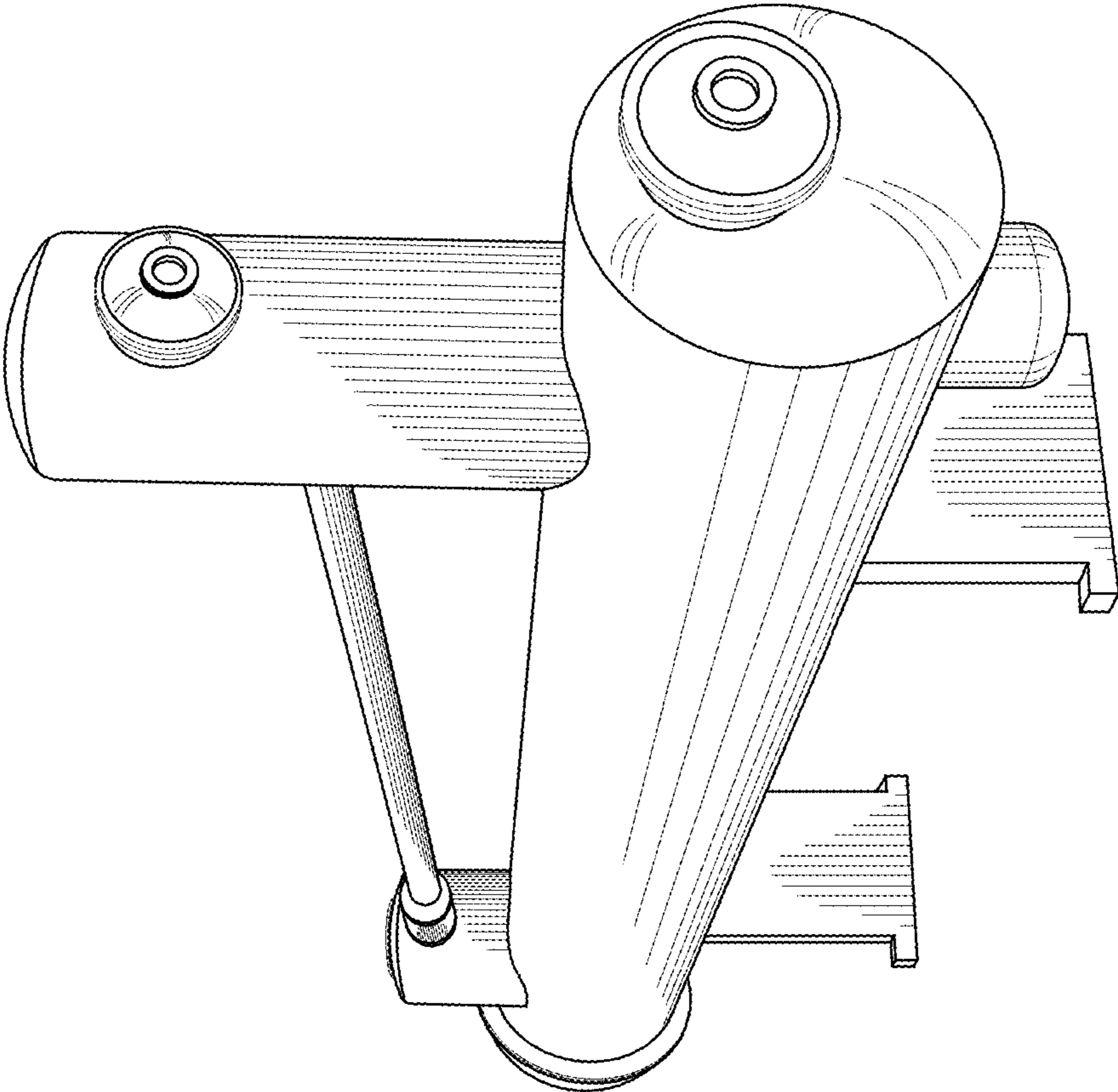


FIG. 1

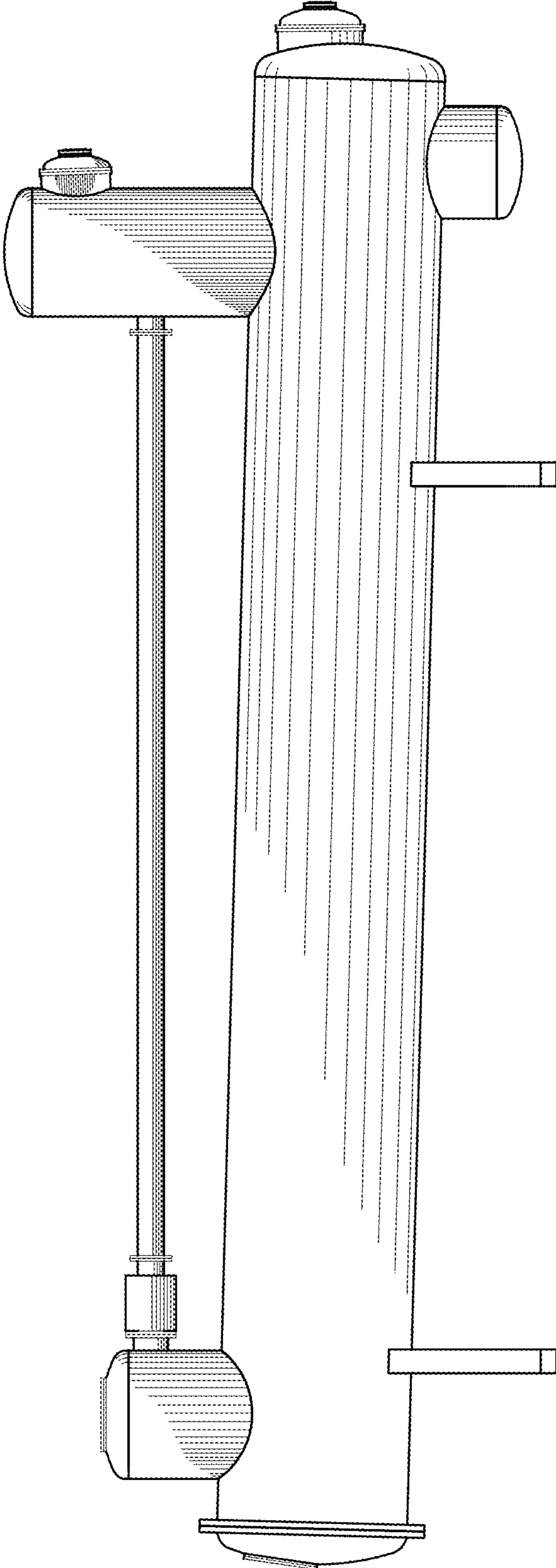


FIG. 2

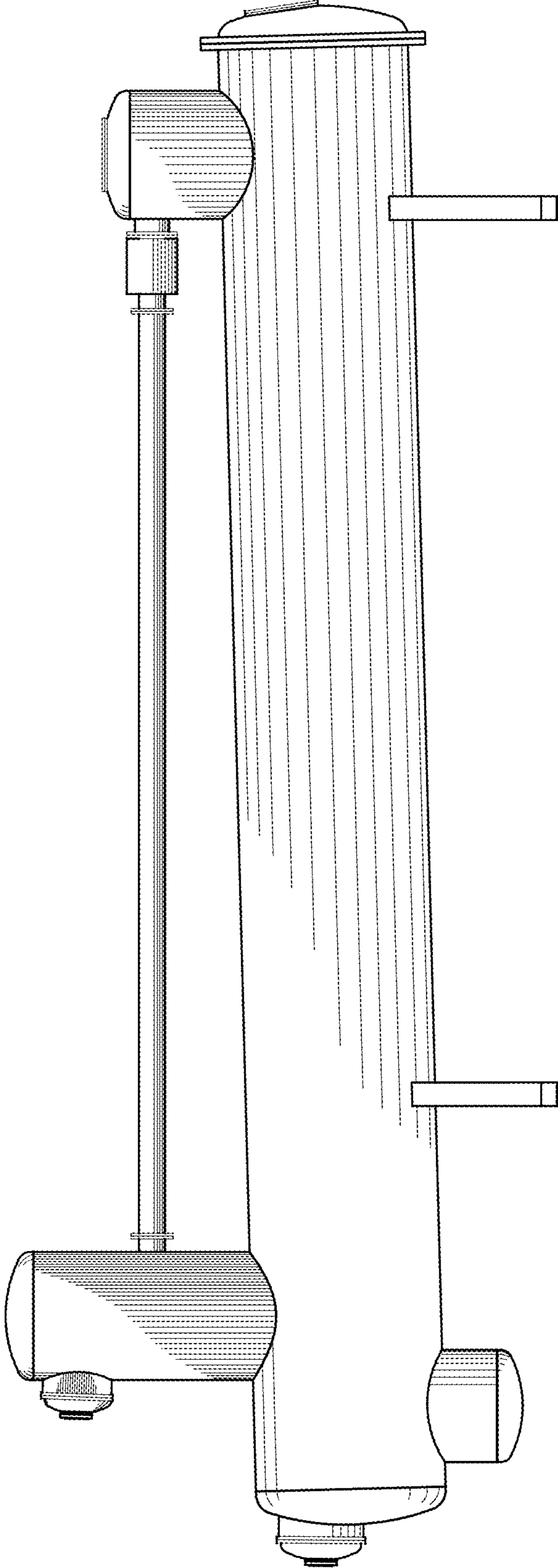


FIG. 3

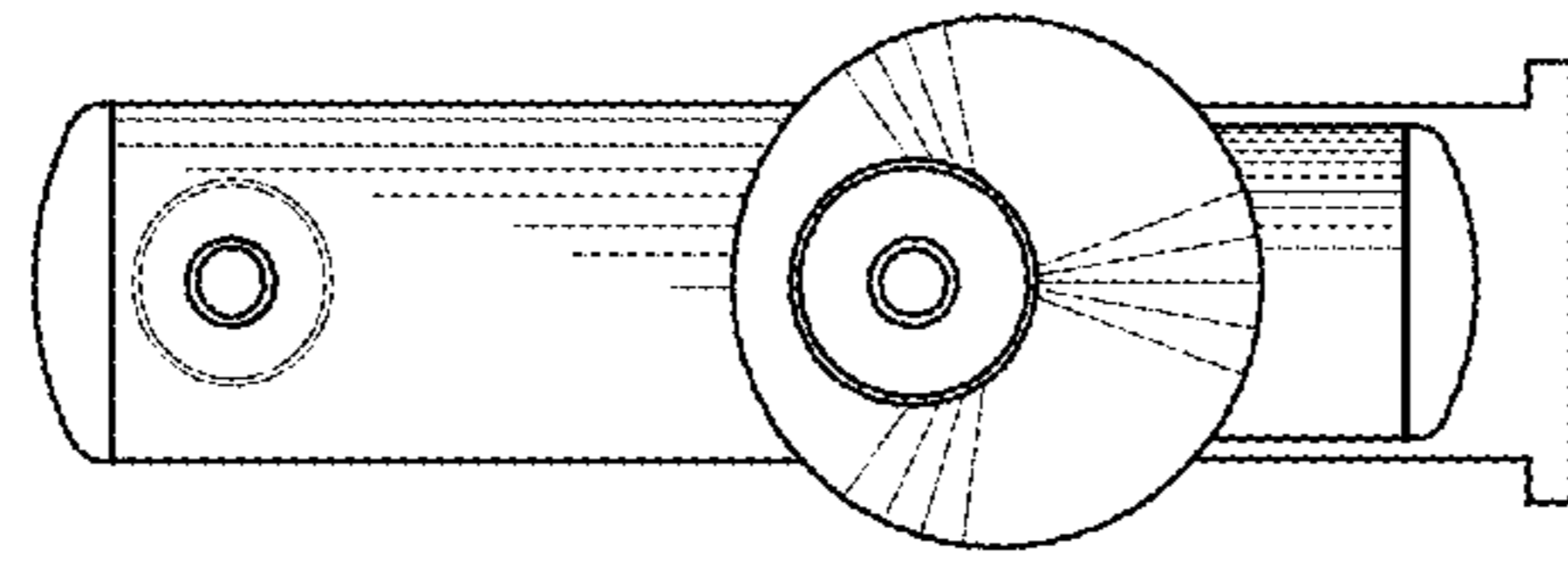


FIG. 5

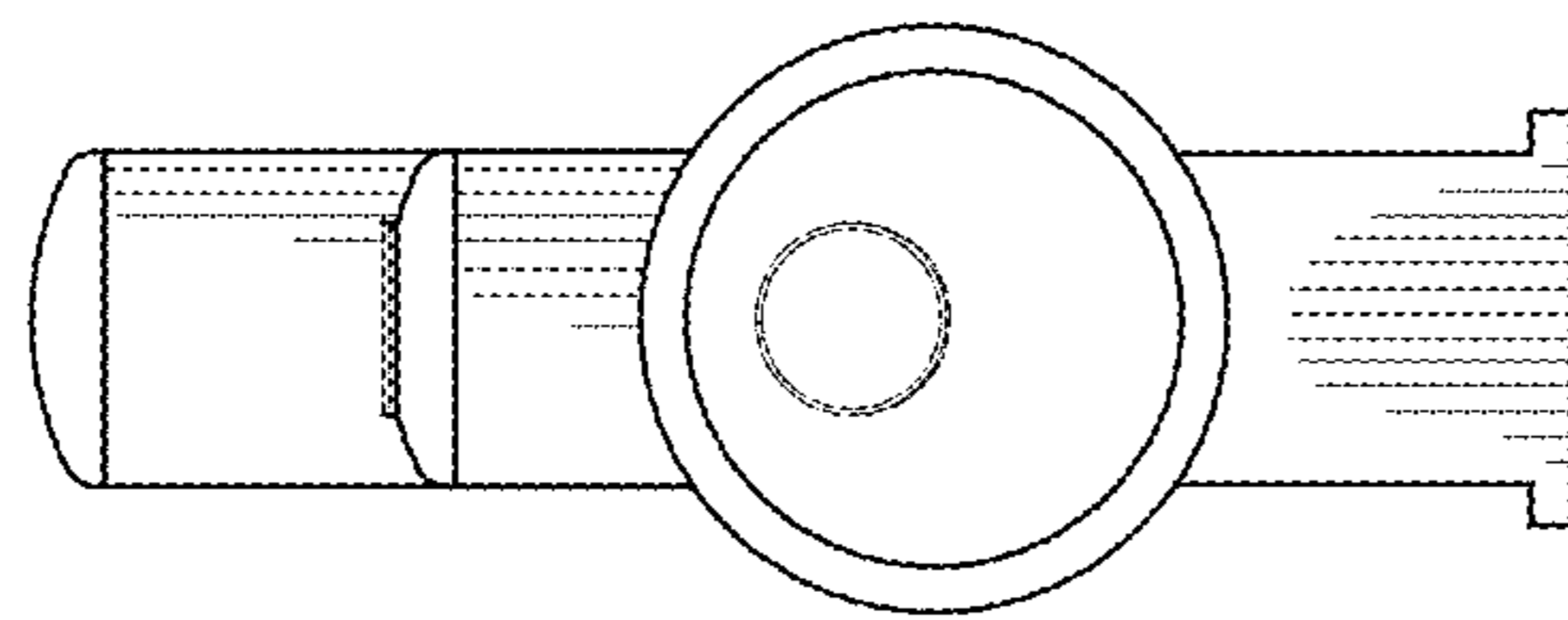


FIG. 4

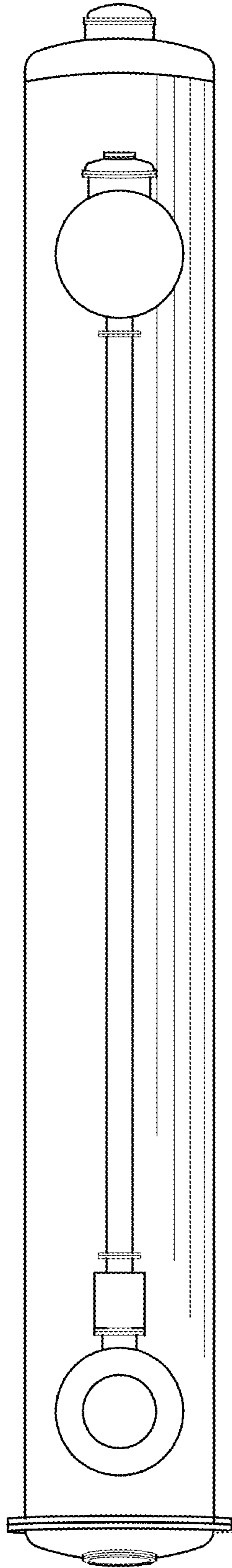


FIG. 6



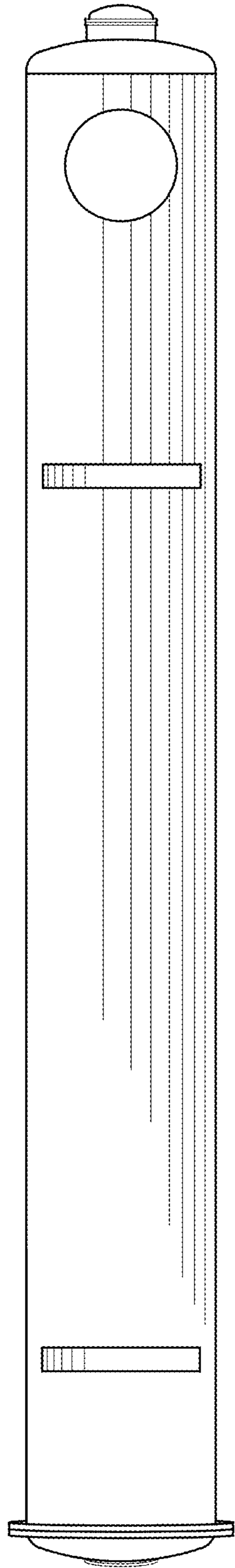


FIG. 7