



US00D771719S

(12) **United States Design Patent** (10) **Patent No.:** **US D771,719 S**  
**Van Keulen et al.** (45) **Date of Patent:** **\*\* Nov. 15, 2016**

(54) **PLURAL COMPONENT PROPORTIONER**

(71) Applicant: **Graco Minnesota Inc.**, Minneapolis, MN (US)

(72) Inventors: **Dennis J. Van Keulen**, Rogers, MN (US); **Vannareth J. Chum**, Farmington, MN (US)

(73) Assignee: **Graco Minnesota Inc.**, Minneapolis, MN (US)

(\*\*) Term: **14 Years**

(21) Appl. No.: **29/512,132**

(22) Filed: **Dec. 17, 2014**

(51) **LOC (10) Cl.** ..... **15-02**

(52) **U.S. Cl.**  
USPC ..... **D15/9**

(58) **Field of Classification Search**  
USPC ..... D15/7-9; D23/231, 232, 225; 417/60, 417/235, 265, 321, 355, 358, 363, 359, 417/410.1, 415-416, 405, 900; 60/408, 60/412; 184/26-37; 415/140-147; 123/495, 509; 137/565.34

CPC ..... F02M 37/04; F02M 37/14  
See application file for complete search history.

(56) **References Cited**

**U.S. PATENT DOCUMENTS**

D185,000 S \* 4/1959 Hoover ..... D15/9  
4,432,470 A \* 2/1984 Sopha ..... B01J 4/008  
222/135  
5,494,191 A \* 2/1996 Benson ..... B05B 9/007  
222/189.09  
D464,063 S \* 10/2002 Thomas, Jr. .... D15/9  
D605,664 S \* 12/2009 Walter ..... D15/7  
D649,561 S \* 11/2011 Bauck ..... D15/7  
D670,314 S \* 11/2012 Galloway ..... D15/9  
D681,680 S \* 5/2013 Galloway ..... D15/9  
D683,368 S \* 5/2013 Galloway ..... D15/9

D688,709 S \* 8/2013 Sanwald ..... D15/7  
D688,710 S \* 8/2013 Sanwald ..... D15/7  
D700,627 S \* 3/2014 Desiron ..... D15/9  
D721,103 S \* 1/2015 Galloway ..... D15/9  
D723,065 S \* 2/2015 Galloway ..... D15/9  
D723,066 S \* 2/2015 Galloway ..... D15/9  
D729,279 S \* 5/2015 Fulkerson ..... D15/7  
D733,190 S \* 6/2015 West ..... D15/7  
D737,334 S \* 8/2015 Galloway ..... D15/9

**OTHER PUBLICATIONS**

Graco's Instructions—Parts List #306989L for Plural Component Proportioning Pump, published Oct. 1968 and revised May 2003.  
Graco's Instructions—Parts List #307132M for Bulldog/Hydra-Cat Proportioning Pumps, published Jun. 1974 and revised Aug. 2000.  
Kremlin Instruction Manual for Flowmax Pneumatic Two Component Proportioning Pump, Model PU 2125F dated 2008, p. 16.  
Kremlin Instruction Manual for Electronic Mixing Machine PU 3000 dated 2009, p. 8.  
Kremlin Brochure entitled Plural Component Pumps and Machines, creation date 2013, pp. 1, 2 and 3.  
Wagner ZIP52 2K Mixing Unit Operating Manual dated 2011, p. 16.

(Continued)

*Primary Examiner* — Ralf Seifert

(74) *Attorney, Agent, or Firm* — Douglas B. Farrow

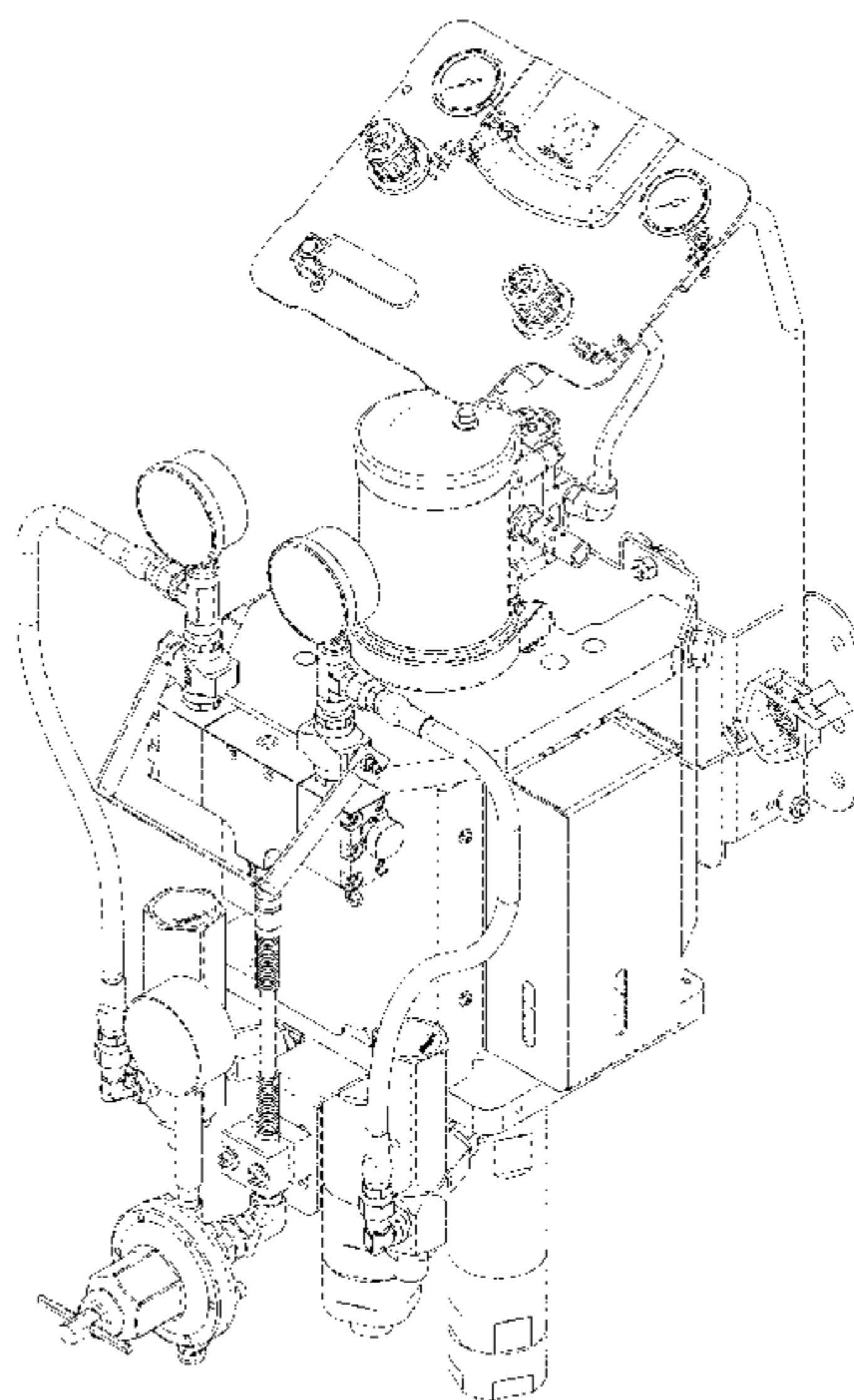
(57) **CLAIM**

The ornamental design for a plural component proportioner, as shown and described.

**DESCRIPTION**

FIG. 1 is a front isometric view of a plural component proportioner showing our new design;  
FIG. 2 is a front view thereof;  
FIG. 3 is a left side view thereof;  
FIG. 4 is a rear side view thereof;  
FIG. 5 is a right side view thereof;  
FIG. 6 is a top view thereof; and,  
FIG. 7 is a bottom view.

**1 Claim, 7 Drawing Sheets**



(56)

**References Cited**

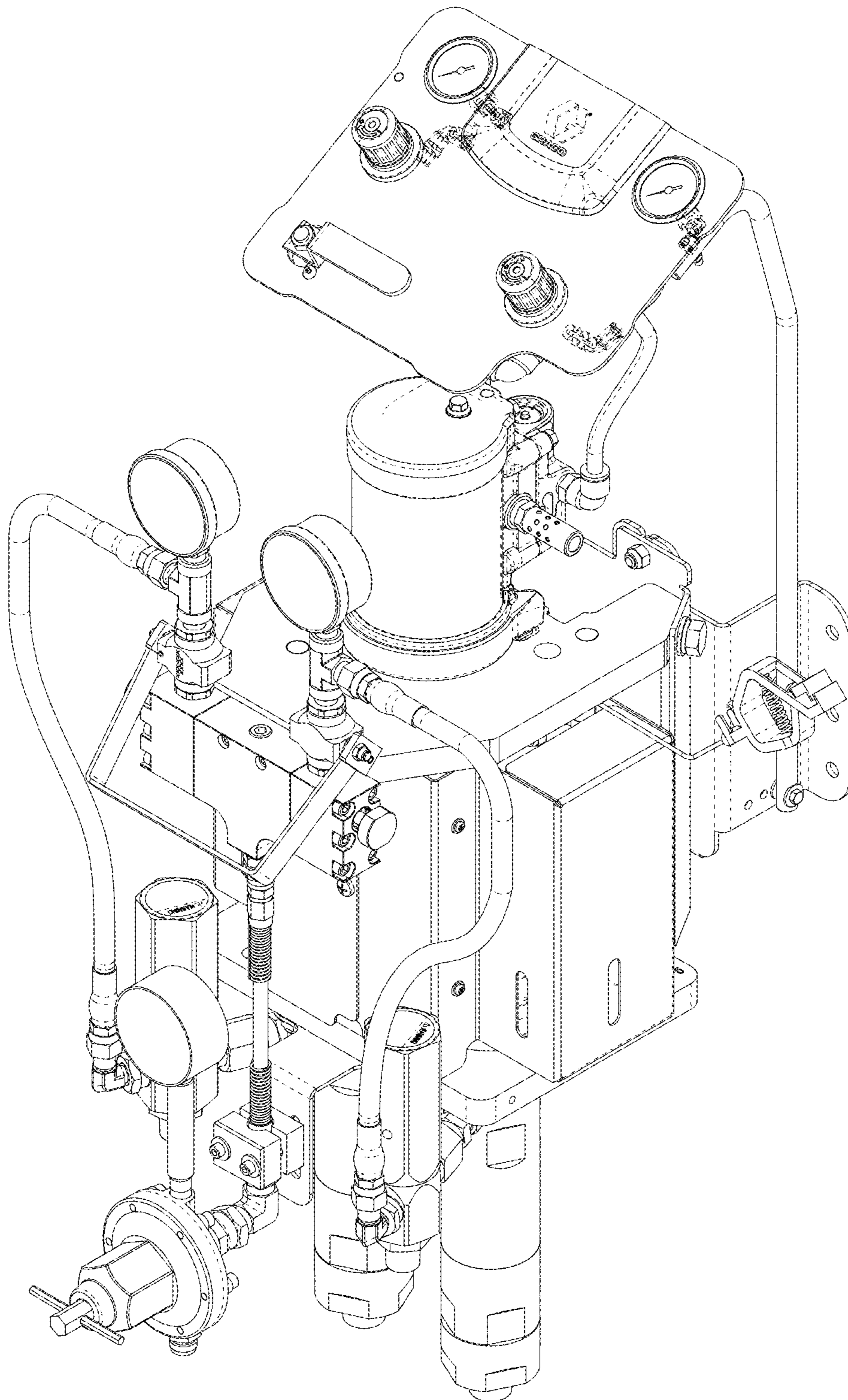
Wiwa Duomix 230 Plural Component Airless Spraying System  
User's Handbook dated 2003, p. 21.

Wiwa Duomix 140/230 brochure dated 2013, p. 3 and 4.

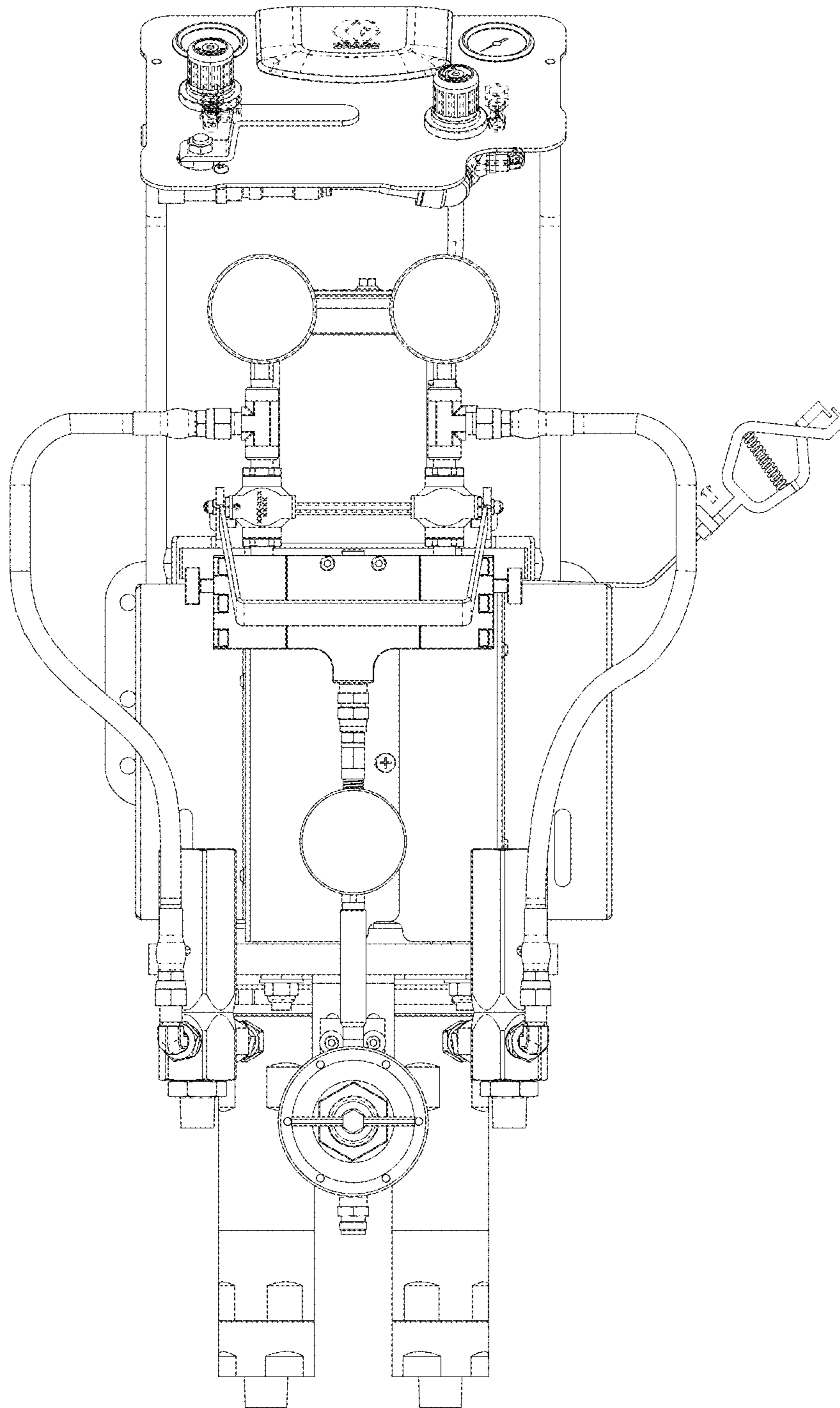
OTHER PUBLICATIONS

Wagner Cobra 2K Operating Manual dated 2008, p. 5.

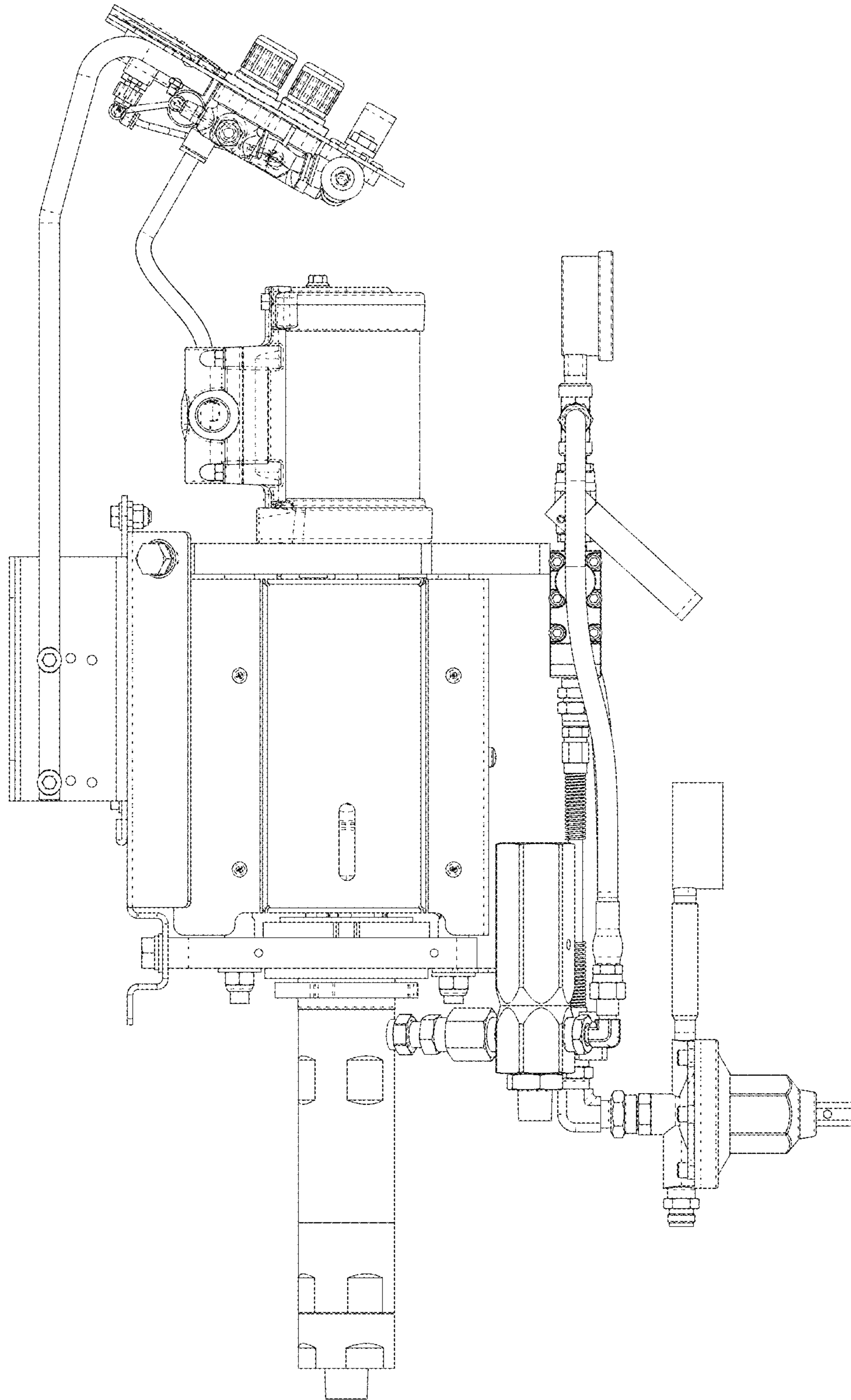
\* cited by examiner



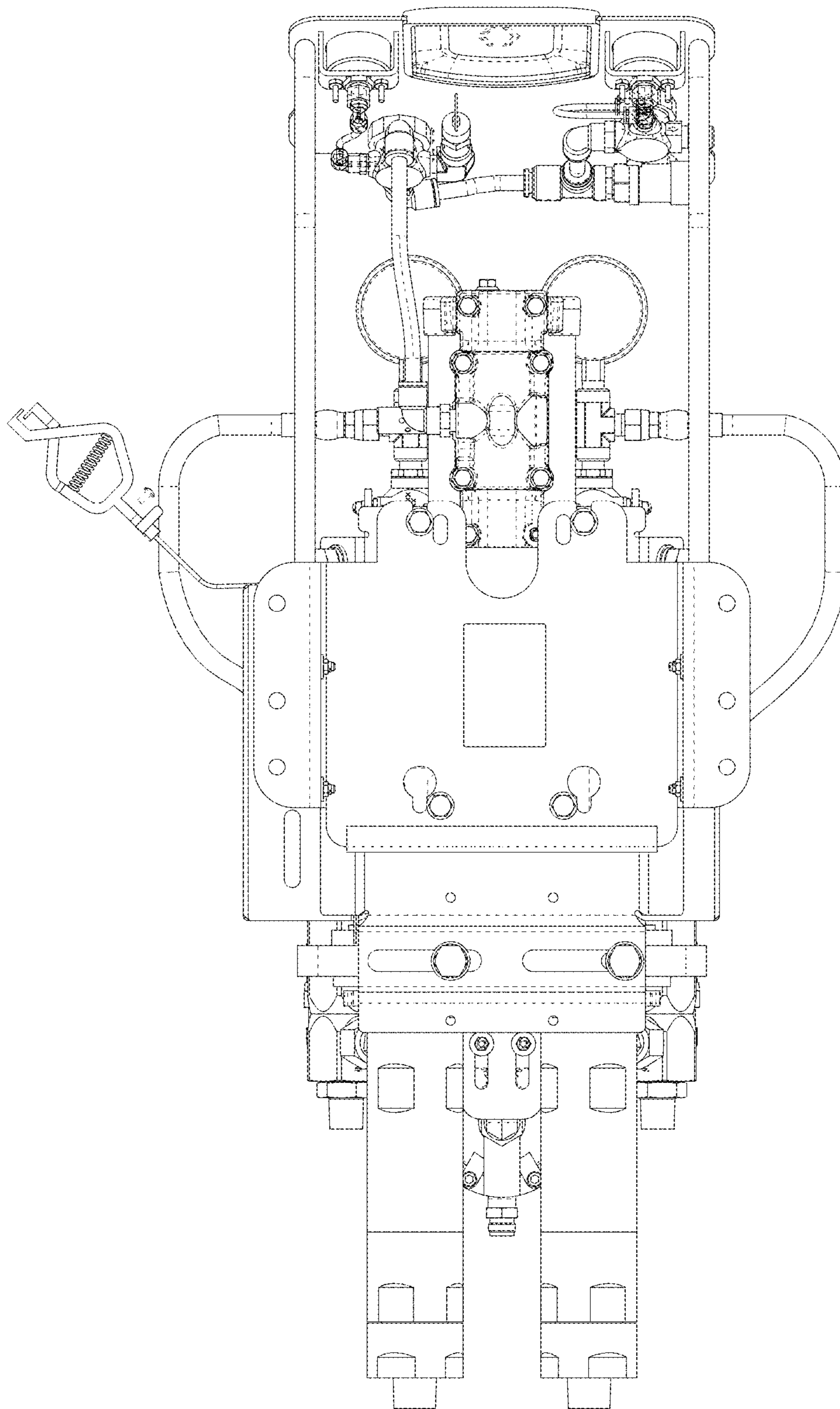
**FIG. 1**



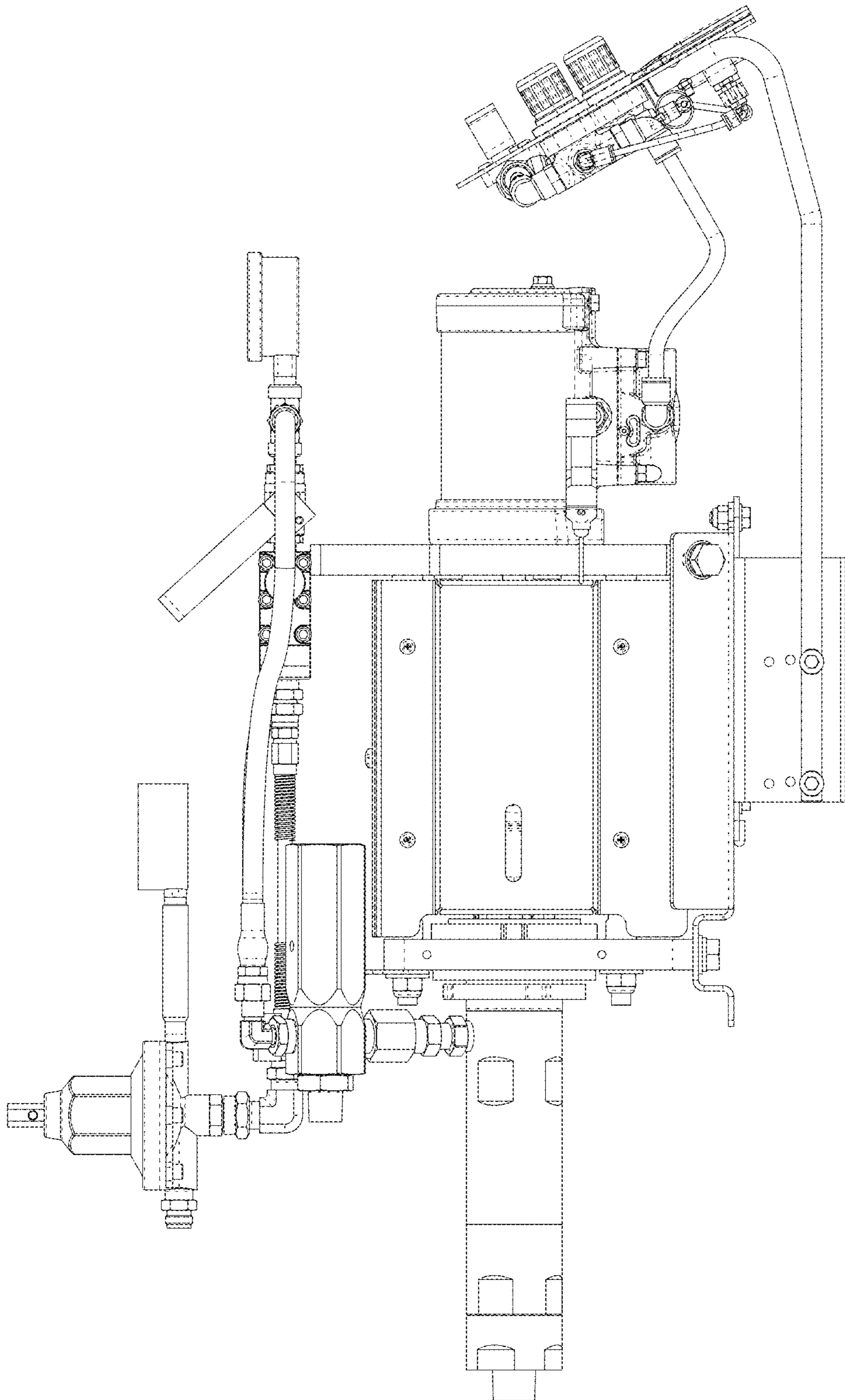
**FIG. 2**



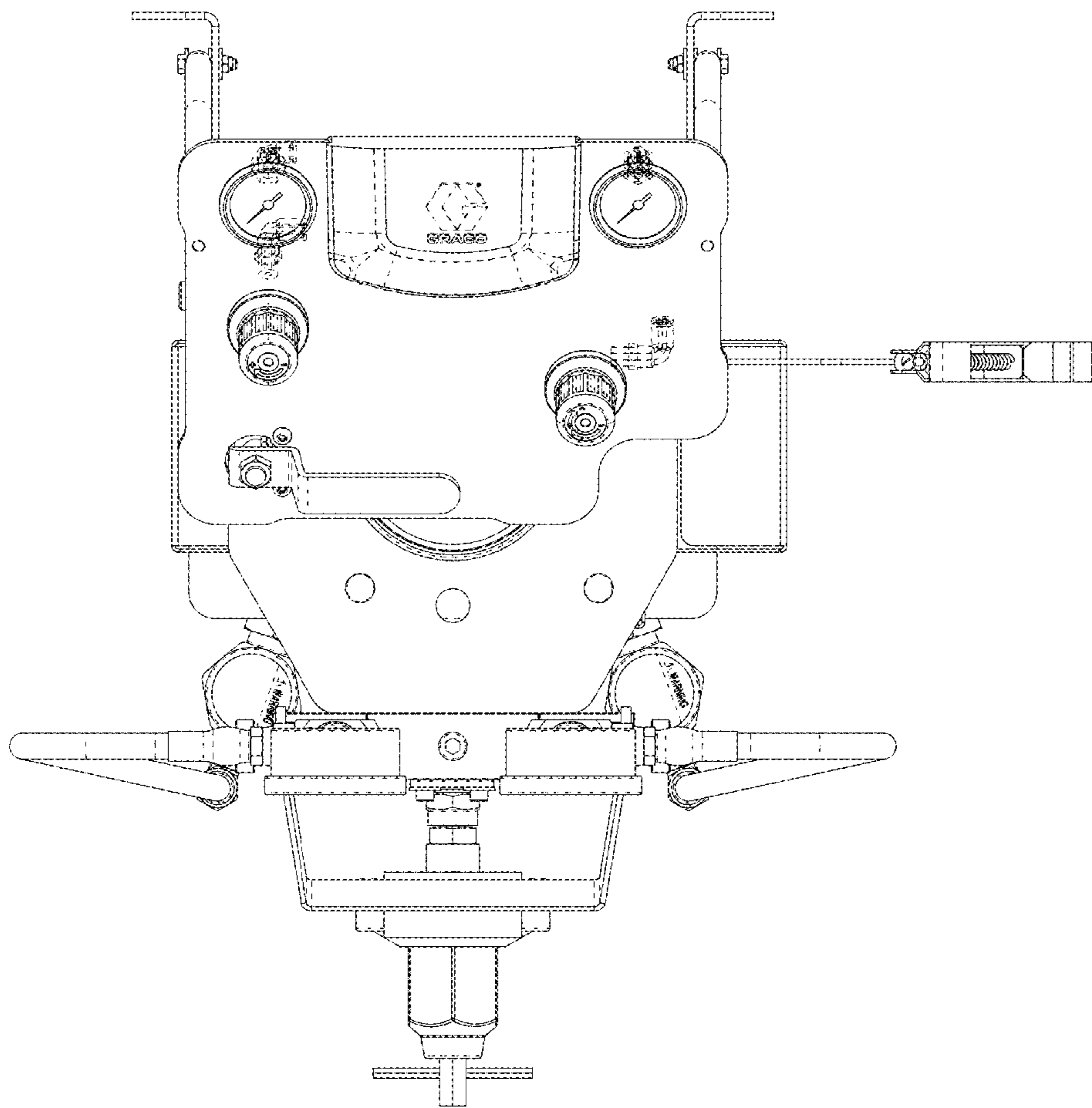
**FIG. 3**



**FIG. 4**

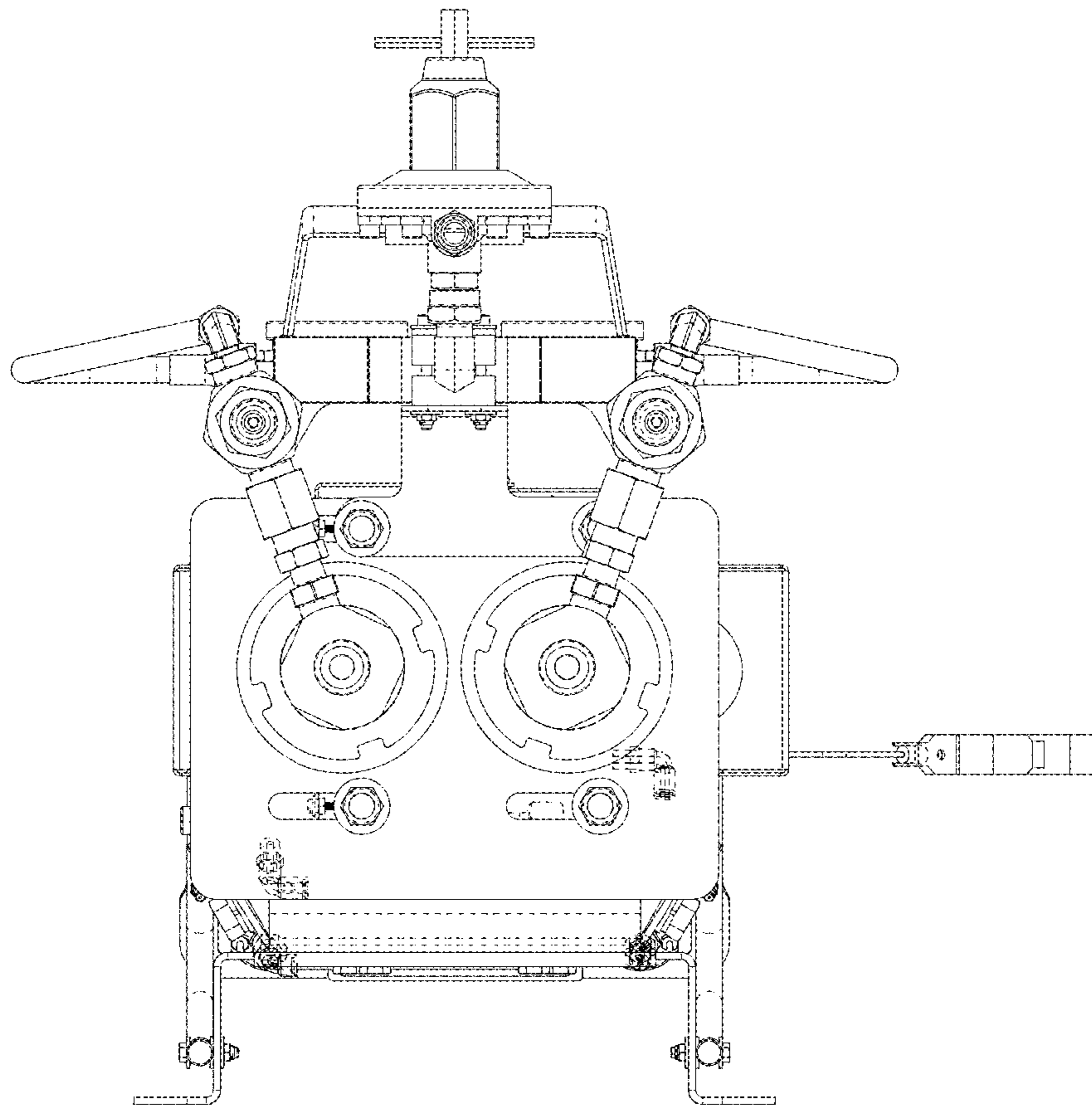


**FIG. 5**



**FIG. 6**





**FIG. 7**