



US00D771718S

(12) **United States Design Patent**  
**Liao et al.**

(10) **Patent No.:** **US D771,718 S**

(45) **Date of Patent:** **\*\* Nov. 15, 2016**

(54) **PUMPING DEVICE**

(71) Applicants: **Ying-Chieh Liao**, Taichung (TW);  
**Yu-Kuo Liao**, Taichung (TW)

(72) Inventors: **Ying-Chieh Liao**, Taichung (TW);  
**Yu-Kuo Liao**, Taichung (TW)

(\*\*) Term: **15 Years**

(21) Appl. No.: **29/540,750**

(22) Filed: **Sep. 28, 2015**

(51) **LOC (10) Cl.** ..... **15-02**

(52) **U.S. Cl.**  
USPC ..... **D15/7**

(58) **Field of Classification Search**  
USPC ..... D15/7-9; D23/231, 232, 225; 417/60,  
417/235, 265, 321, 355, 358, 363, 359,  
417/410.1, 415-416, 405, 900, 269, 539;  
60/408, 412; 184/26-37; 415/140-147;  
123/495, 509; 137/565.34  
CPC ..... F02M 37/04; F02M 37/14; F04B 53/92;  
F04B 1/005

See application file for complete search history.

(56) **References Cited**

**U.S. PATENT DOCUMENTS**

D248,396 S	*	7/1978	Sendak	.....	D15/7
D400,892 S	*	11/1998	Williams	.....	D15/9
D405,097 S	*	2/1999	Wong	.....	D15/7
D415,500 S	*	10/1999	Poon	.....	D15/7
D423,519 S	*	4/2000	Bonzer	.....	D15/9
D451,521 S	*	12/2001	Poon	.....	D15/7

D464,976 S	*	10/2002	Krieger	.....	D15/9
D467,941 S	*	12/2002	Duncan	.....	D15/7
D467,942 S	*	12/2002	Duncan	.....	D15/7
D470,863 S	*	2/2003	Williams	.....	D15/7
D487,899 S	*	3/2004	Poon	.....	D15/7
D510,939 S	*	10/2005	Nikolayev	.....	D15/9
D558,795 S	*	1/2008	Saunders	.....	D15/7
D559,866 S	*	1/2008	Saunders	.....	D15/7
D675,650 S	*	2/2013	Champ	.....	D15/7
D694,268 S	*	11/2013	Ohm	.....	D15/7
D755,925 S	*	5/2016	Park	.....	D15/7

\* cited by examiner

*Primary Examiner* — Ralf Seifert

(74) *Attorney, Agent, or Firm* — Muncy, Geissler, Olds & Lowe, P.C.

(57) **CLAIM**

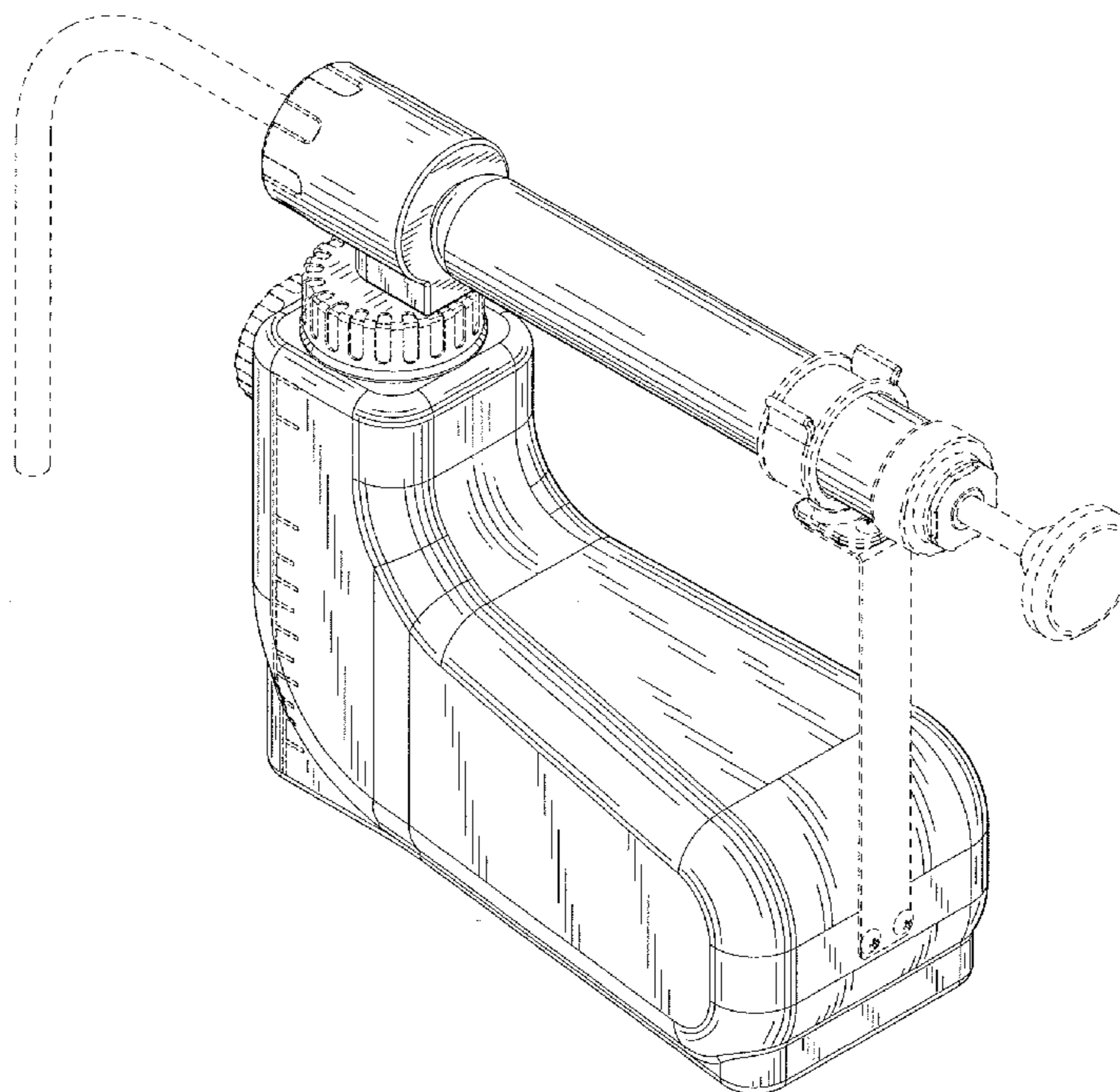
We claim the ornamental design for a pumping device, as shown and described.

**DESCRIPTION**

FIG. 1 is a right, front, top perspective view of a pumping device showing our new design;  
FIG. 2 is a front elevational view thereof;  
FIG. 3 is a rear elevational view thereof;  
FIG. 4 is a left side view thereof;  
FIG. 5 is a right side view thereof;  
FIG. 6 is a top plan view thereof;  
FIG. 7 is a bottom plan view thereof; and,  
FIG. 8 is a left, front, top perspective view of the pumping device.

The broken lines in the drawings illustrate portions of the pumping device which form no part of the claimed design.

**1 Claim, 6 Drawing Sheets**



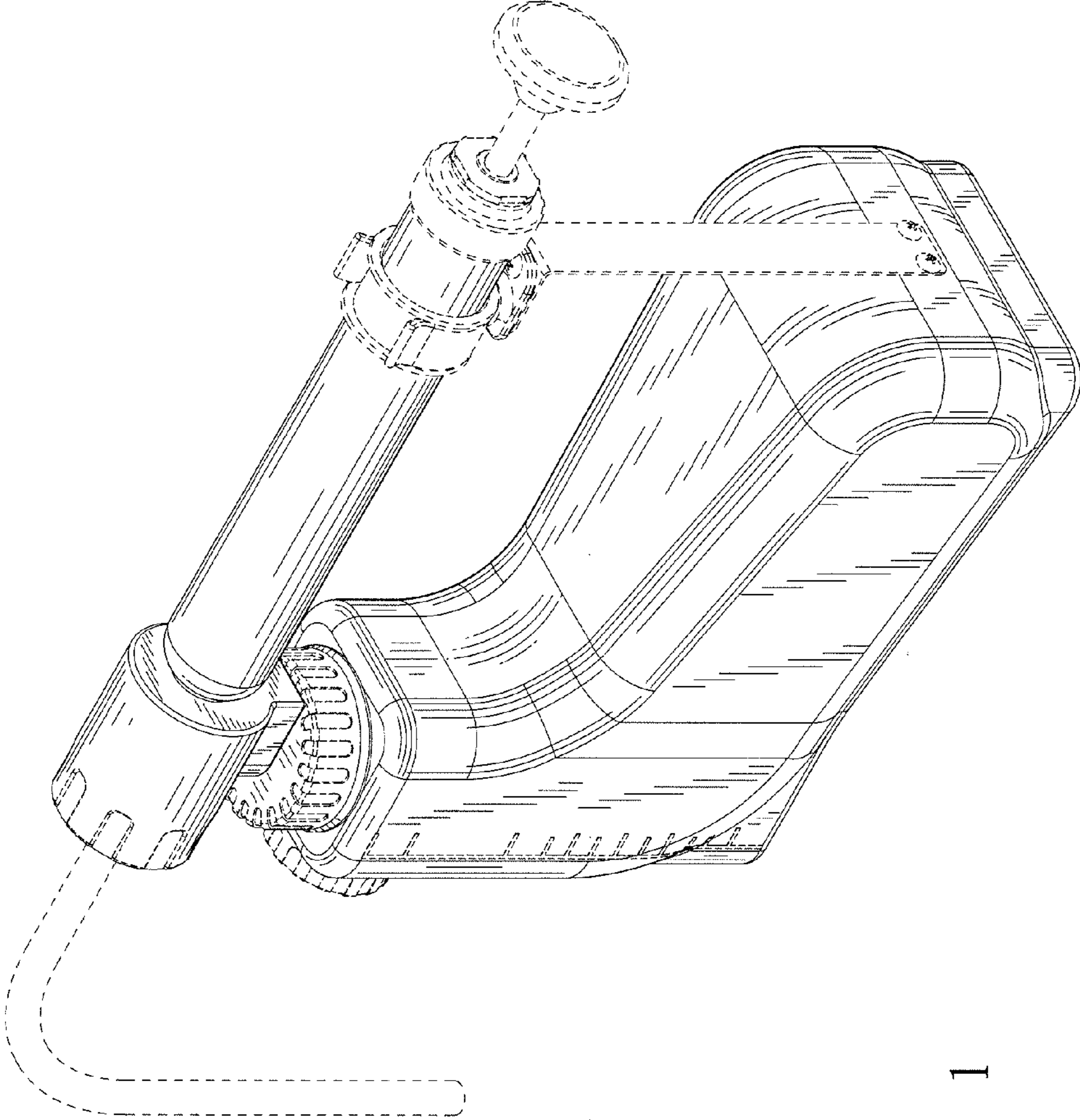


FIG. 1

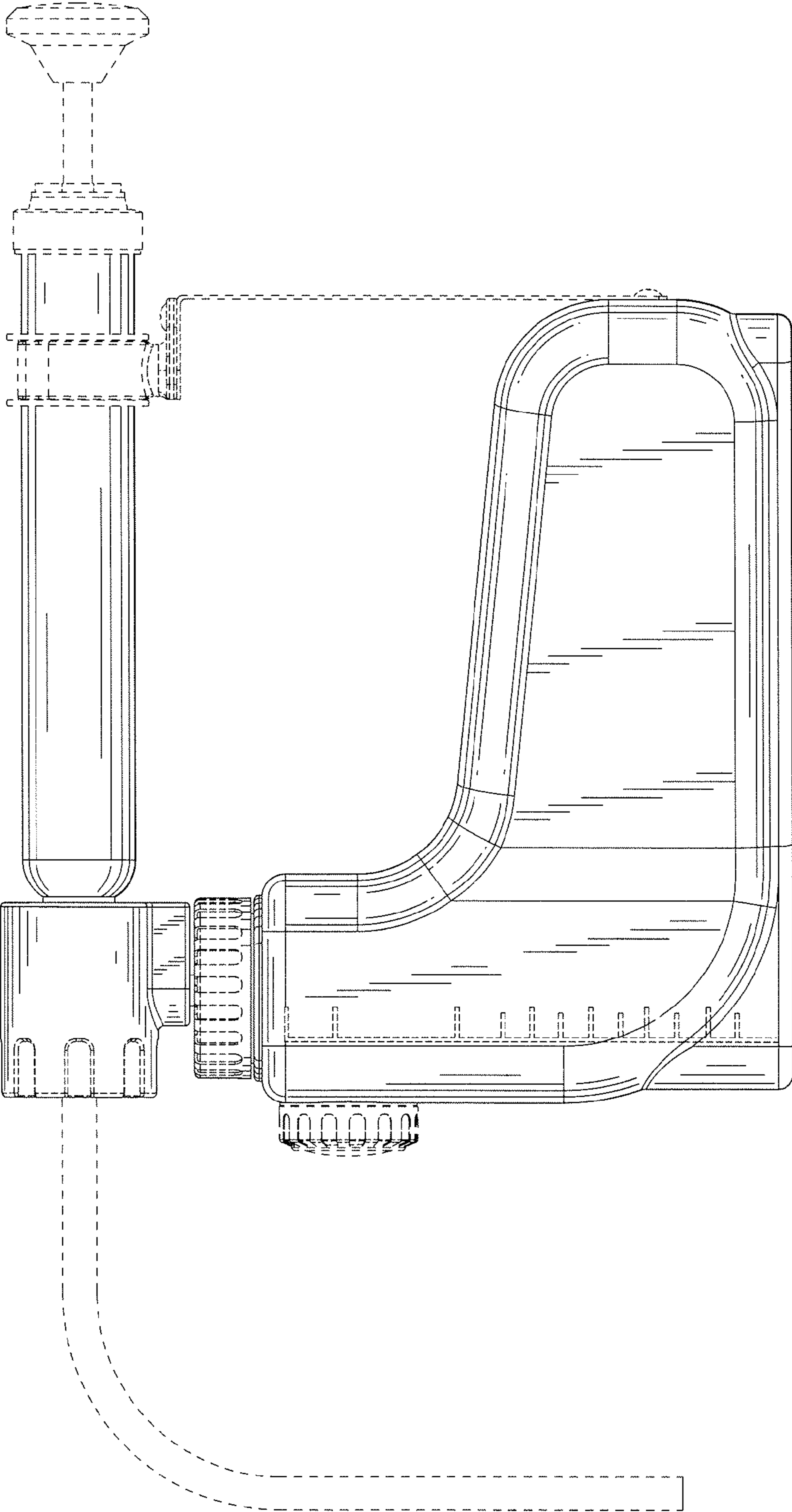


FIG. 2

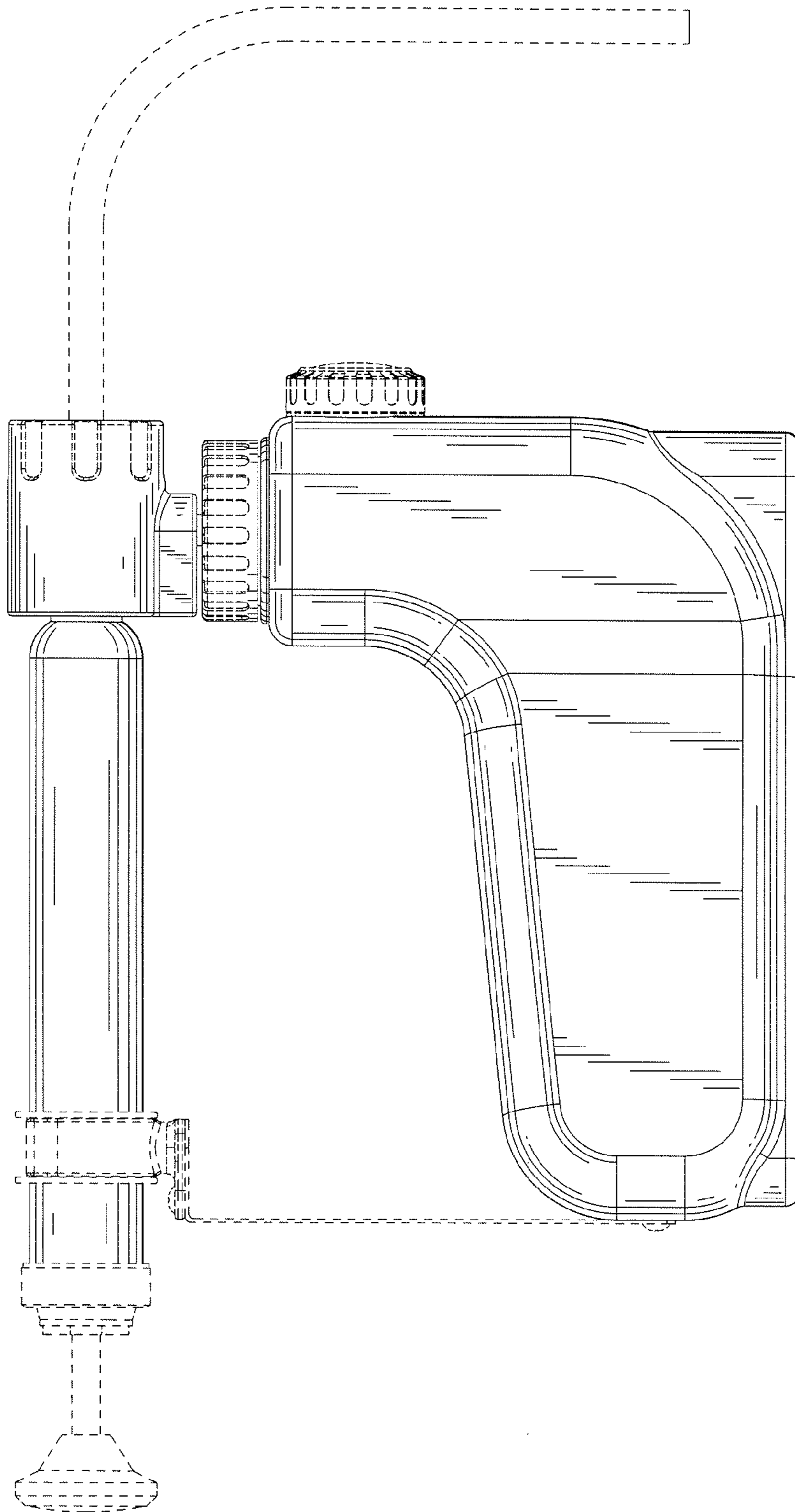


FIG. 3

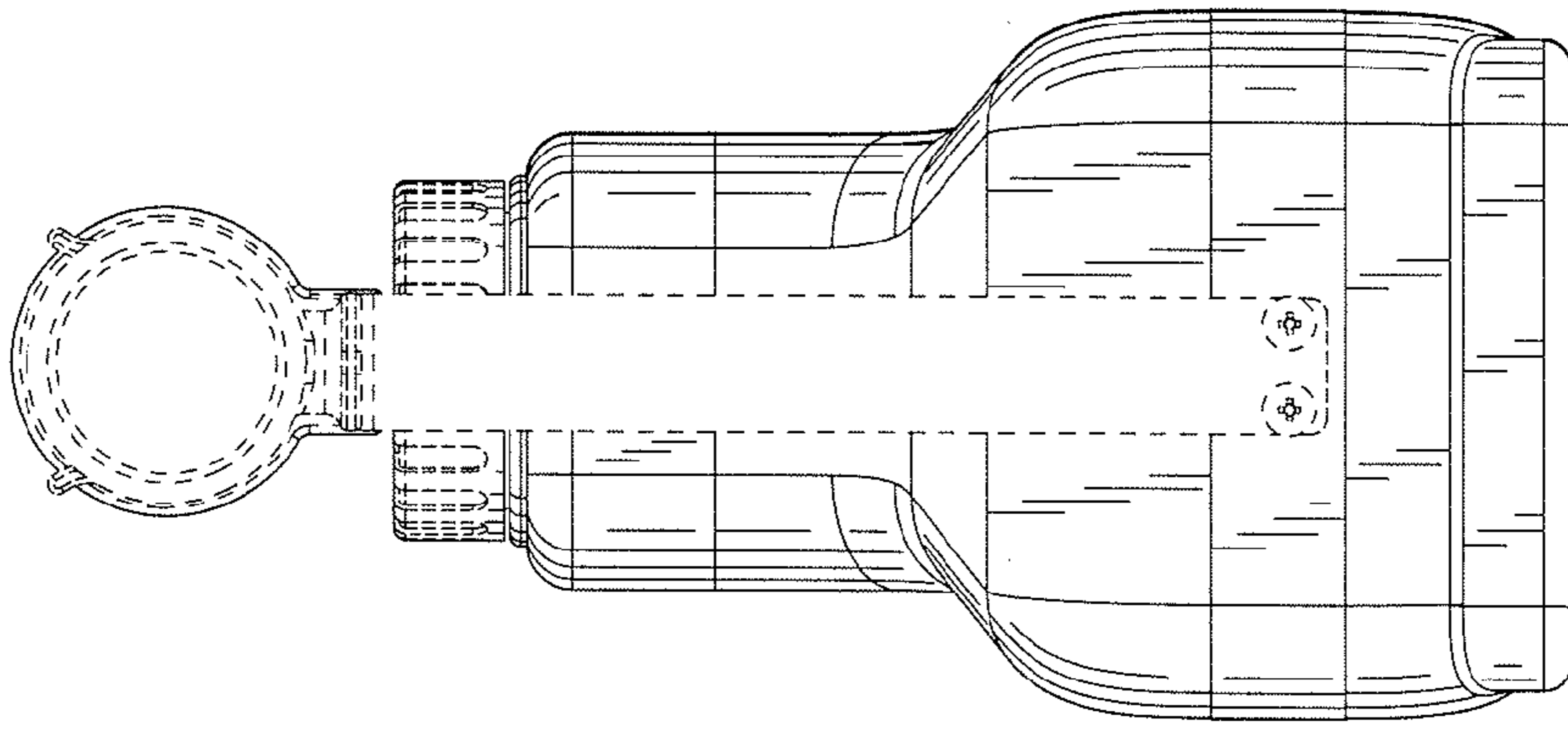


FIG. 5

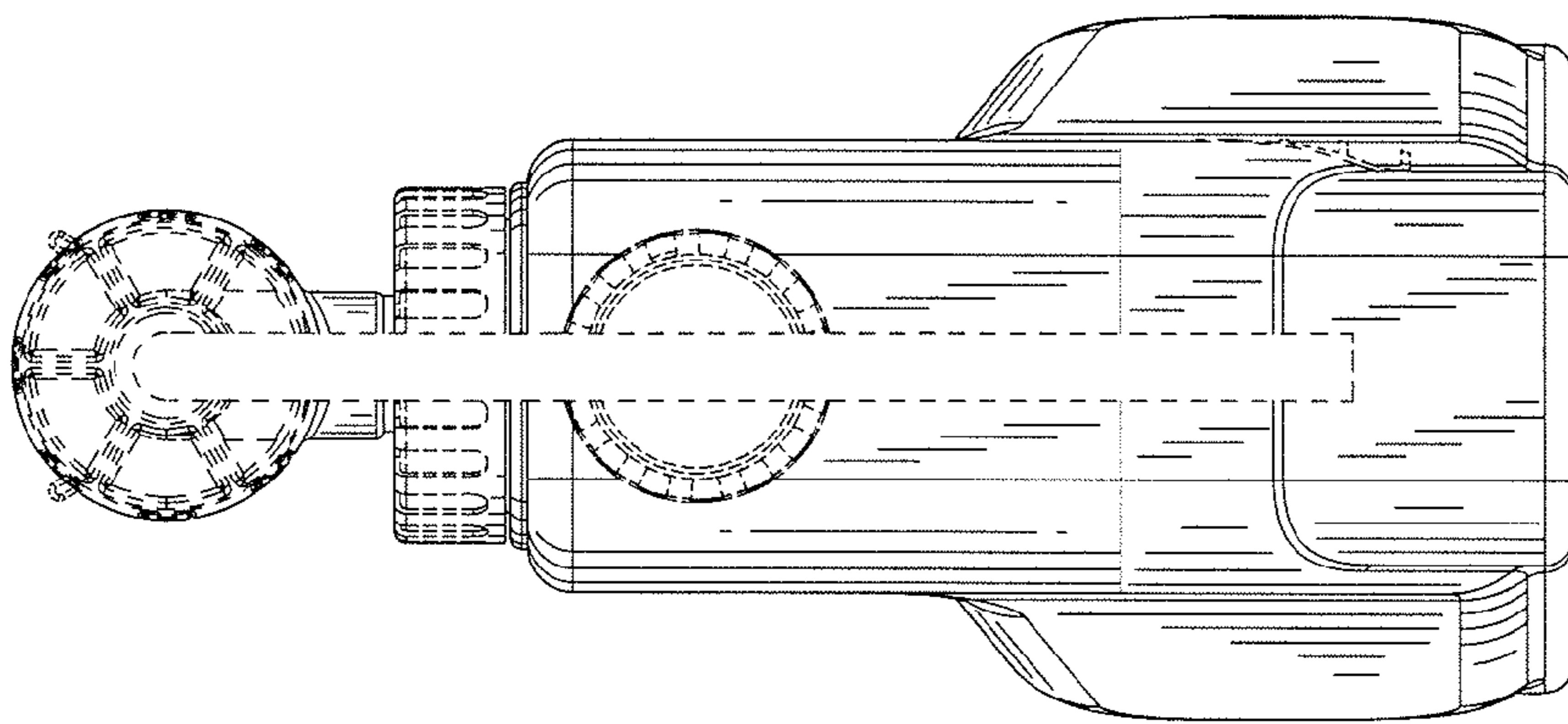


FIG. 4

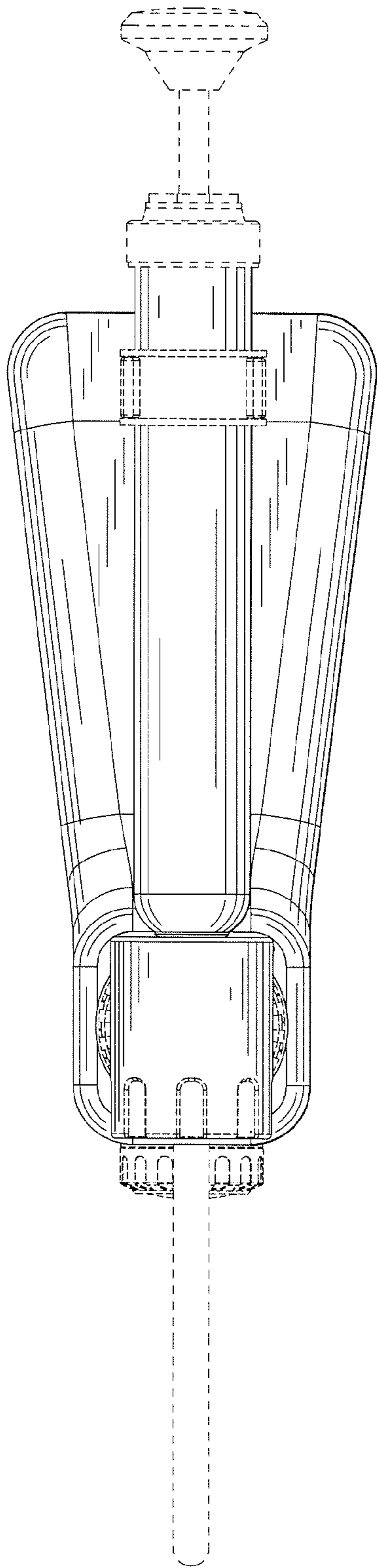


FIG. 6

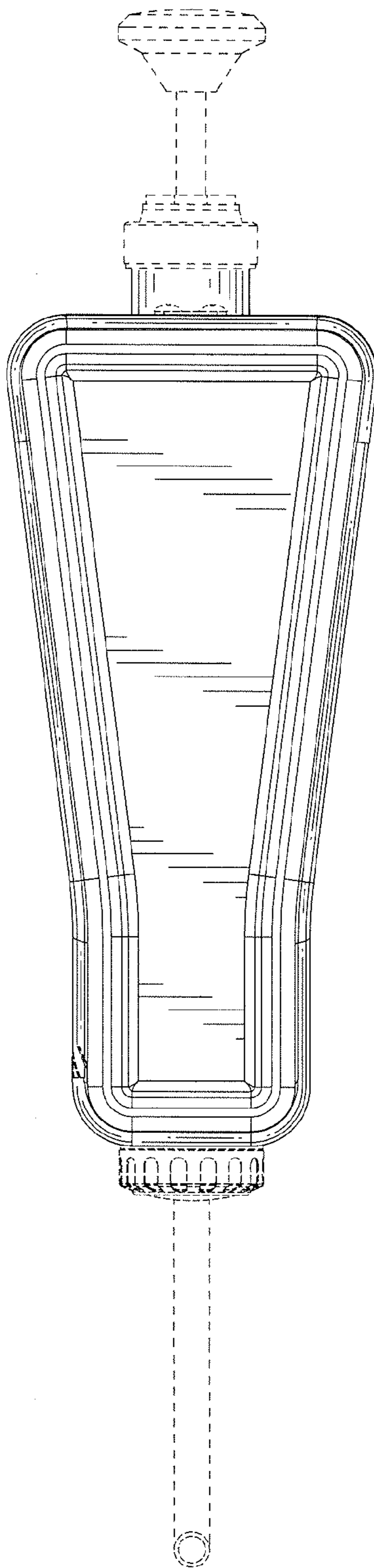


FIG. 7

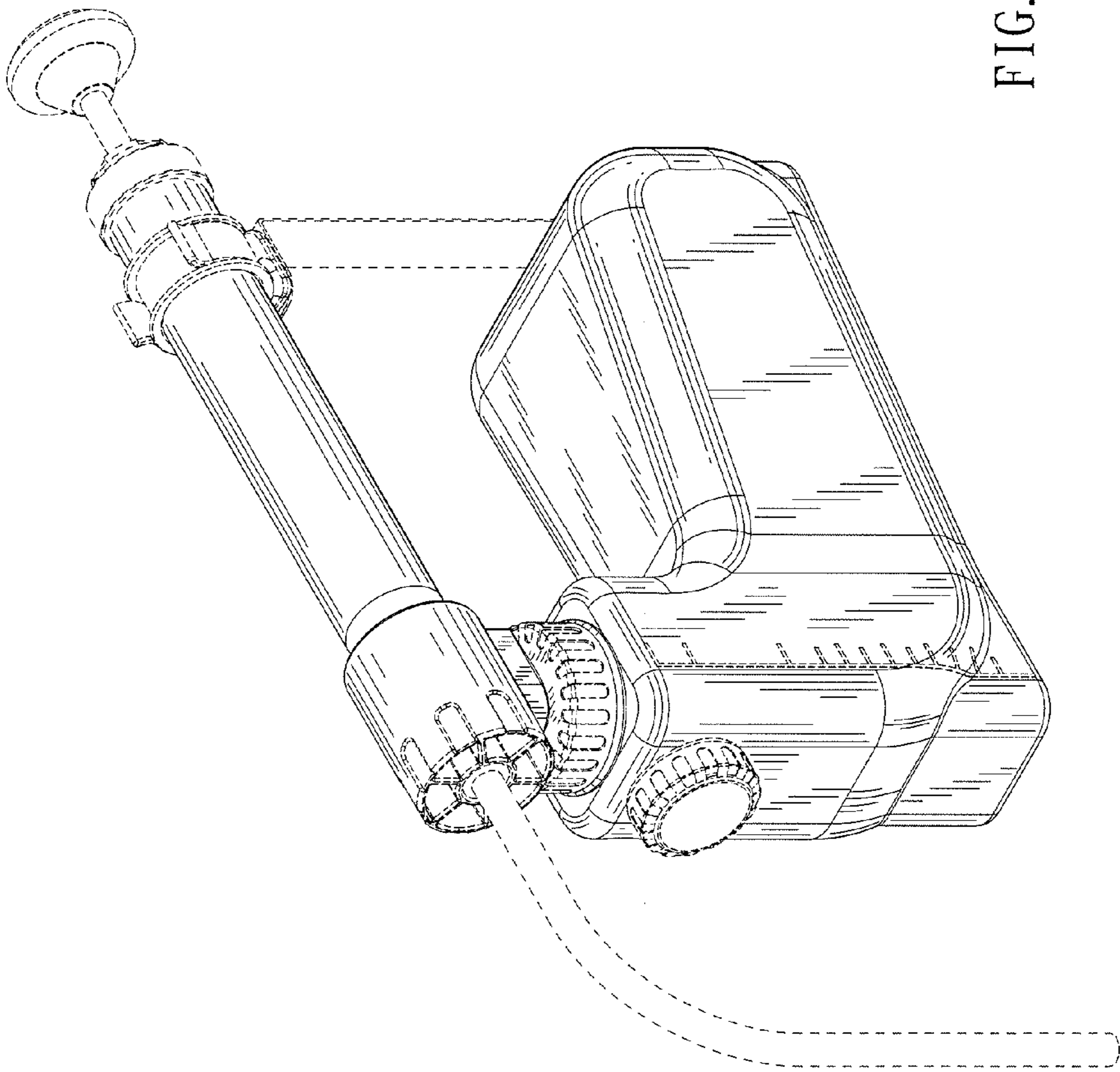


FIG. 8