



US00D771715S

(12) **United States Design Patent**
Varini

(10) **Patent No.:** **US D771,715 S**

(45) **Date of Patent:** **** Nov. 15, 2016**

(54) **COMBINED ROTARY HAND PUMP AND DRUM CONNECTOR**

(71) Applicant: **Otto Varini**, Suzzara (IT)

(72) Inventor: **Otto Varini**, Suzzara (IT)

(73) Assignee: **PIUSI S.P.A.**, Suzzara (Mantova) (IT)

(**) Term: **15 Years**

(21) Appl. No.: **29/538,154**

(22) Filed: **Sep. 1, 2015**

(51) **LOC (10) Cl.** **15-02**

(52) **U.S. Cl.**
USPC **D15/7**

(58) **Field of Classification Search**
USPC D15/7-9; D23/231, 232, 225; 417/60, 417/235, 265, 321, 355, 358, 363, 359, 417/410.1, 415-416, 405, 900; 60/408, 60/412; 184/26-37; 415/140-147; 123/495, 509; 137/565.34
CPC F02M 37/04; F02M 37/14
See application file for complete search history.

(56) **References Cited**

U.S. PATENT DOCUMENTS

D196,464 S * 10/1963 Kilbourn et al. D15/7
D221,258 S * 7/1971 Saddler D15/7

D295,522 S * 5/1988 Martin D15/7
D299,720 S * 2/1989 Yoo D15/7
D308,385 S * 6/1990 Russold D15/7
D555,669 S * 11/2007 Preston D15/7
D557,709 S * 12/2007 Preston D15/7

* cited by examiner

Primary Examiner — Ralf Seifert

(74) *Attorney, Agent, or Firm* — Smith Gambrell & Russell LLP

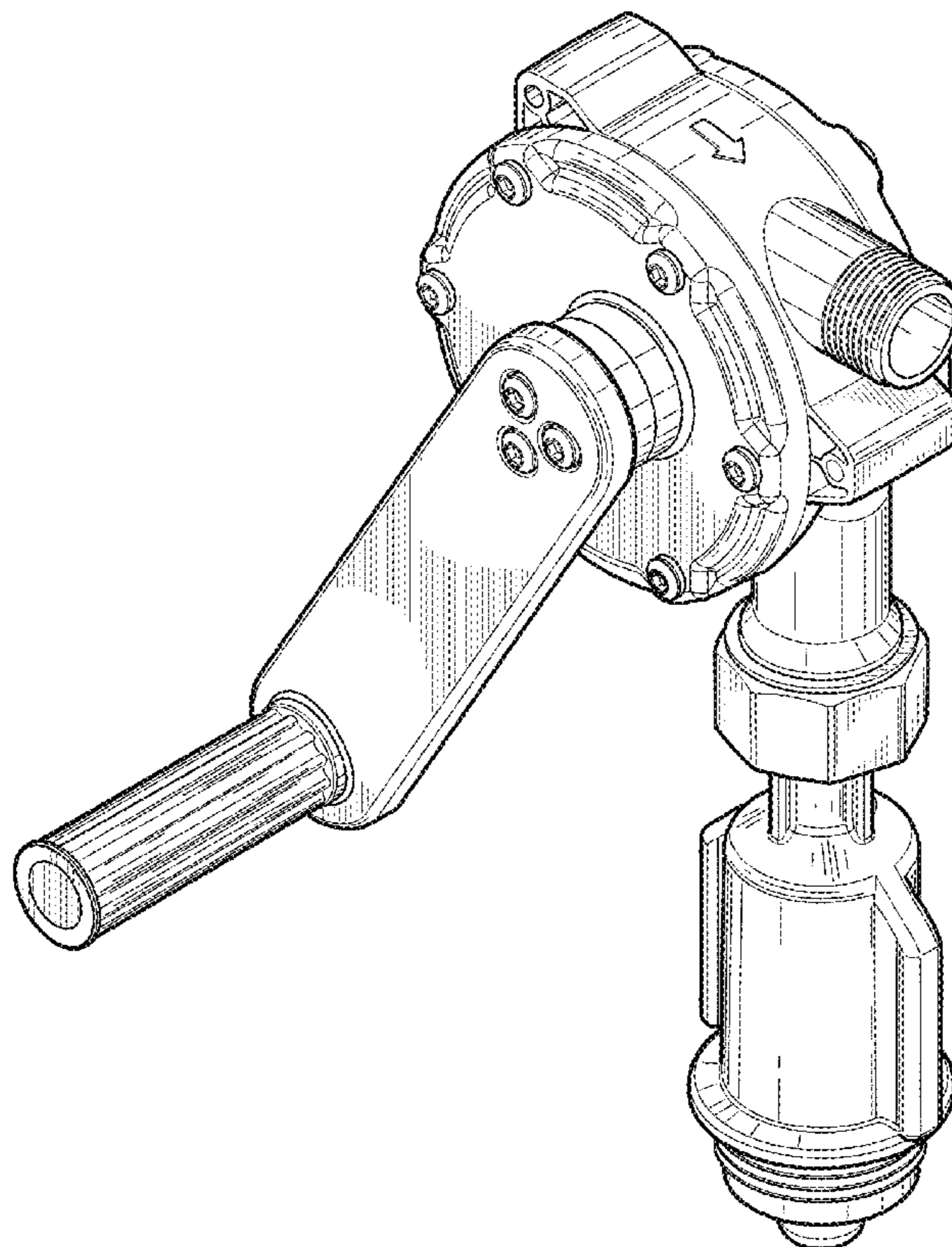
(57) **CLAIM**

The ornamental design for a combined rotary hand pump and drum connector, as shown and described.

DESCRIPTION

FIG. 1 is a perspective view of the combined rotary hand pump and drum connector.
FIG. 2 is a front elevation view of the combined rotary hand pump and drum connector.
FIG. 3 is a first side elevation view of the combined rotary hand pump and drum connector.
FIG. 4 is a second side elevation view of the combined rotary hand pump and drum connector.
FIG. 5 is a rear elevation view of the combined rotary hand pump and drum connector.
FIG. 6 is a bottom view of the combined rotary hand pump and drum connector; and,
FIG. 7 is a top plan view of the combined rotary hand pump and drum connector.

1 Claim, 6 Drawing Sheets



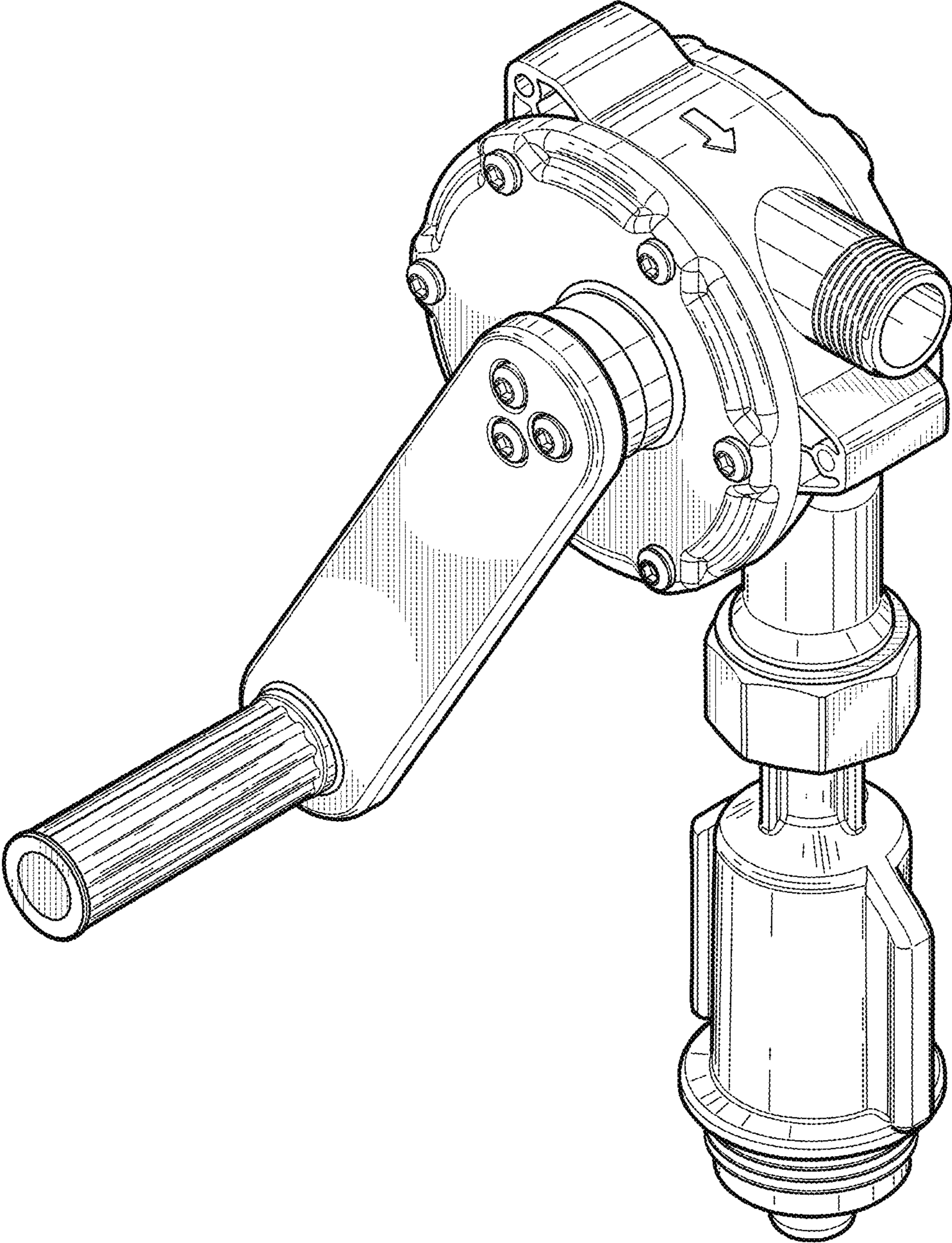


FIG. 1

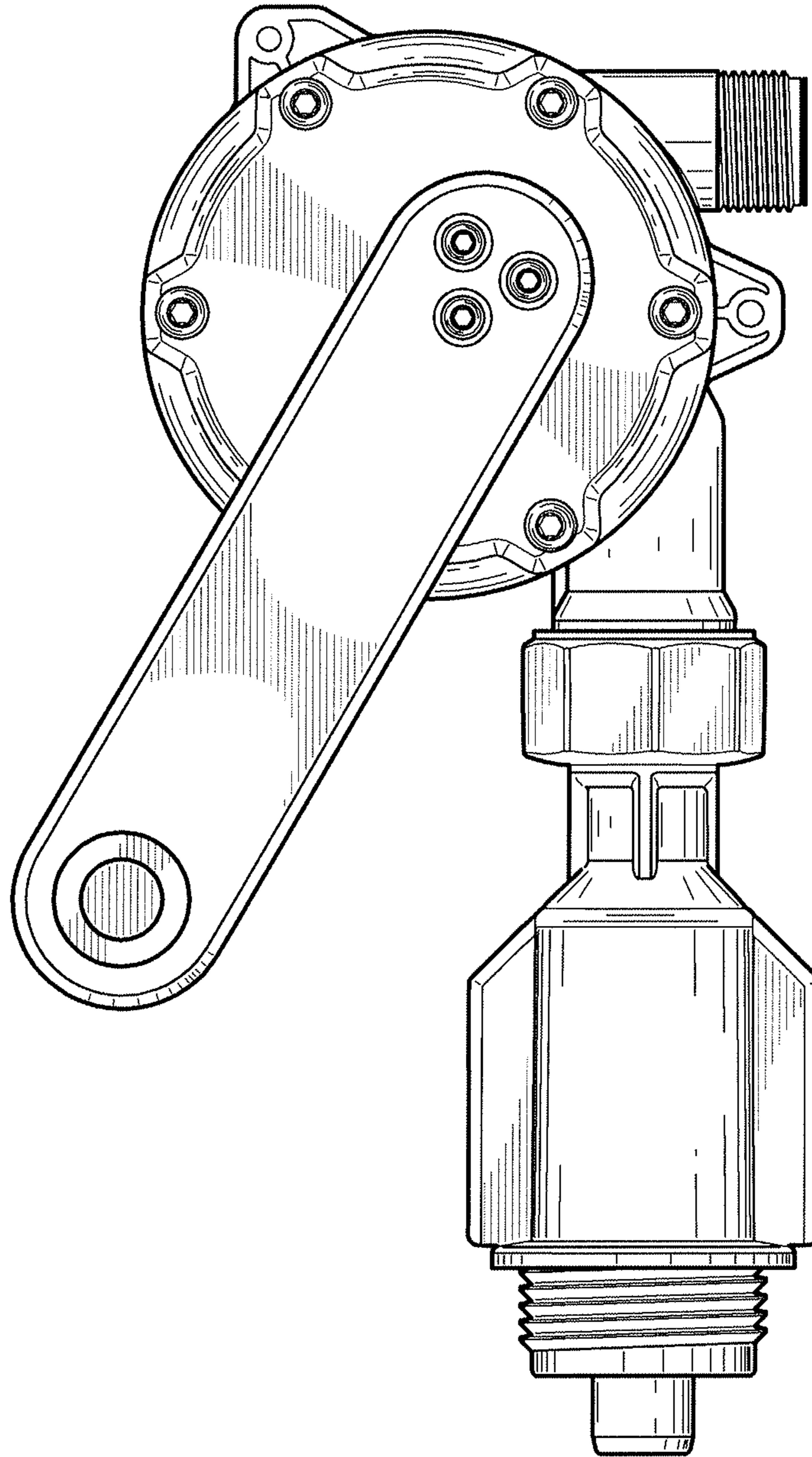


FIG. 2

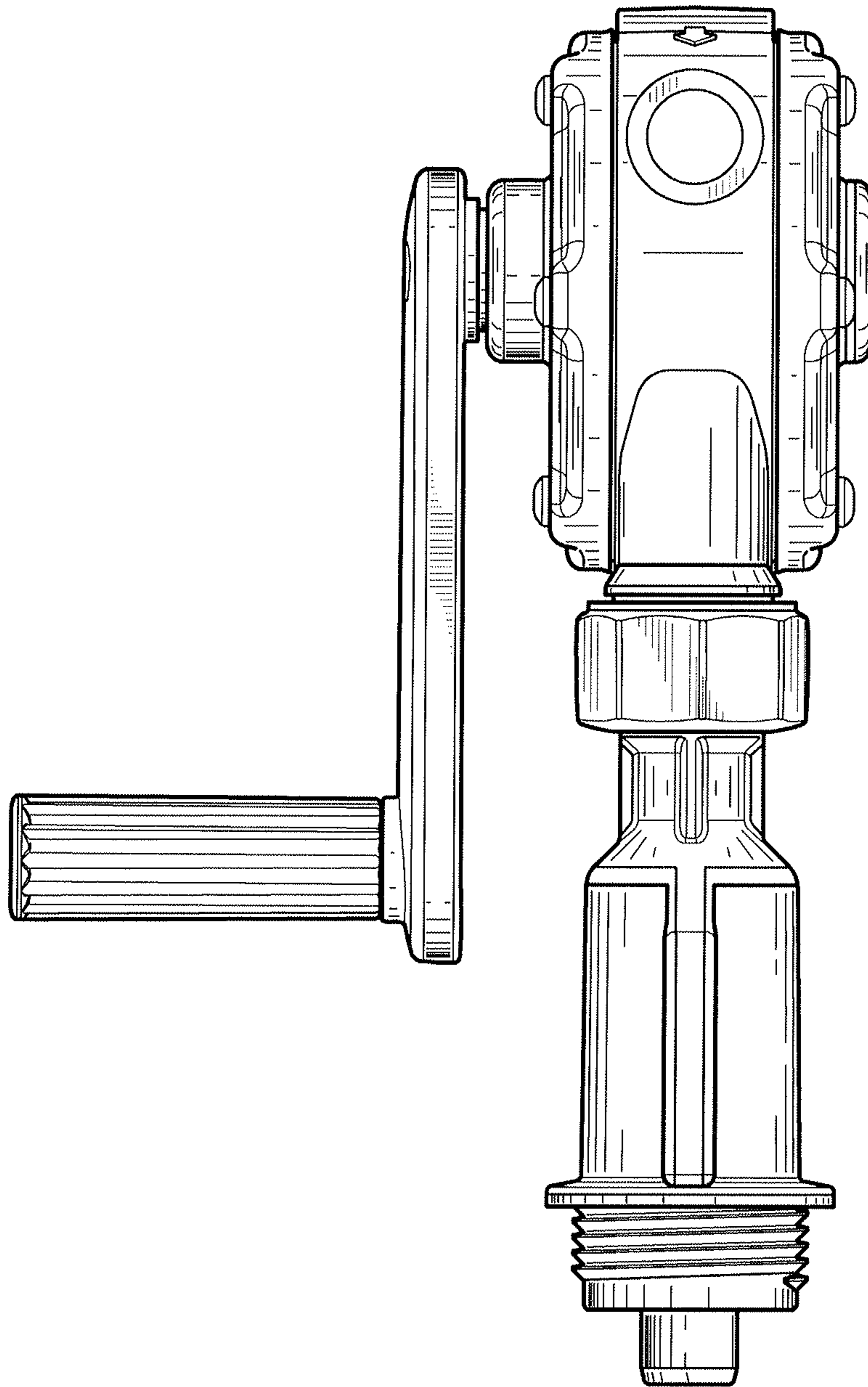


FIG. 3

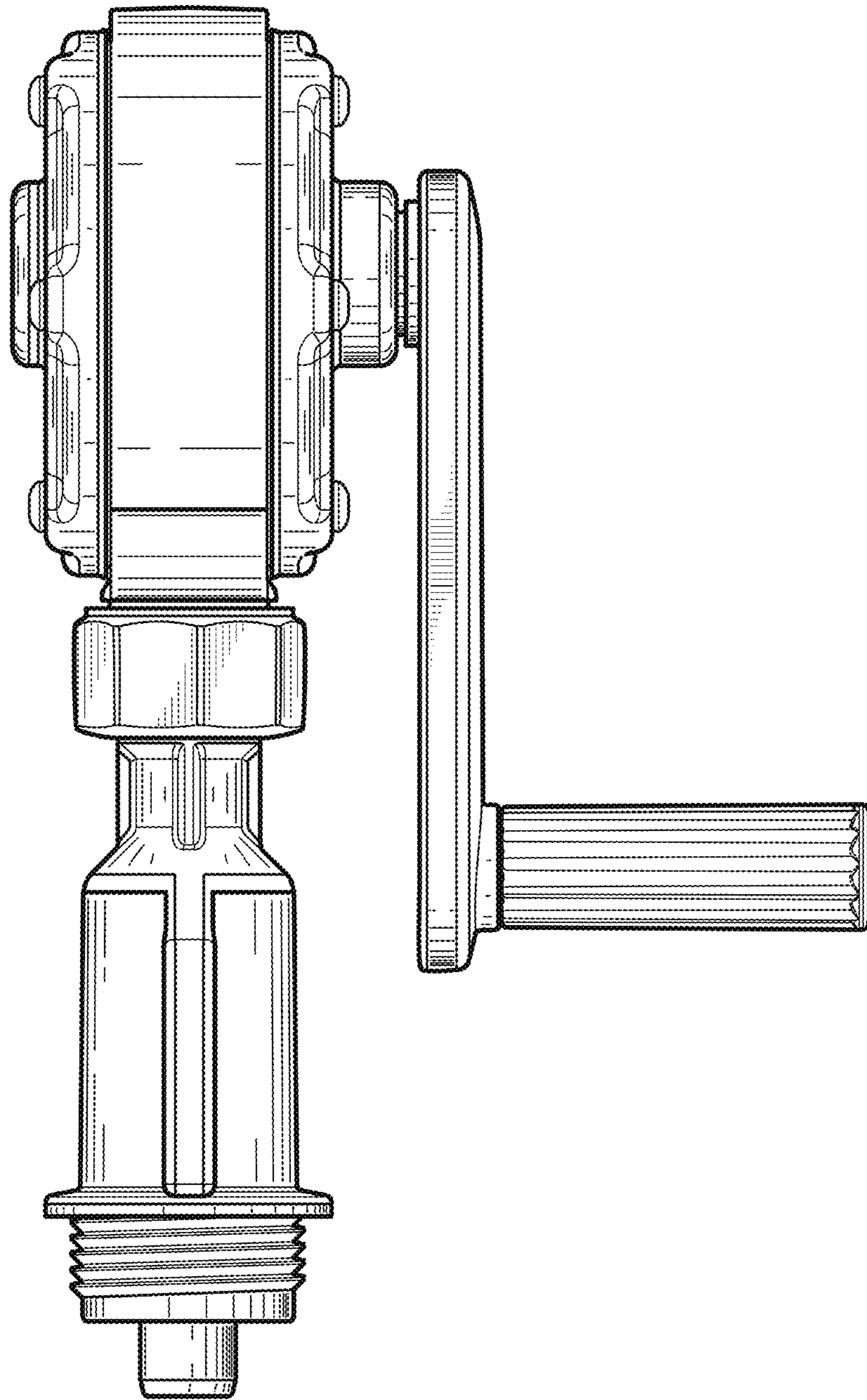


FIG. 4

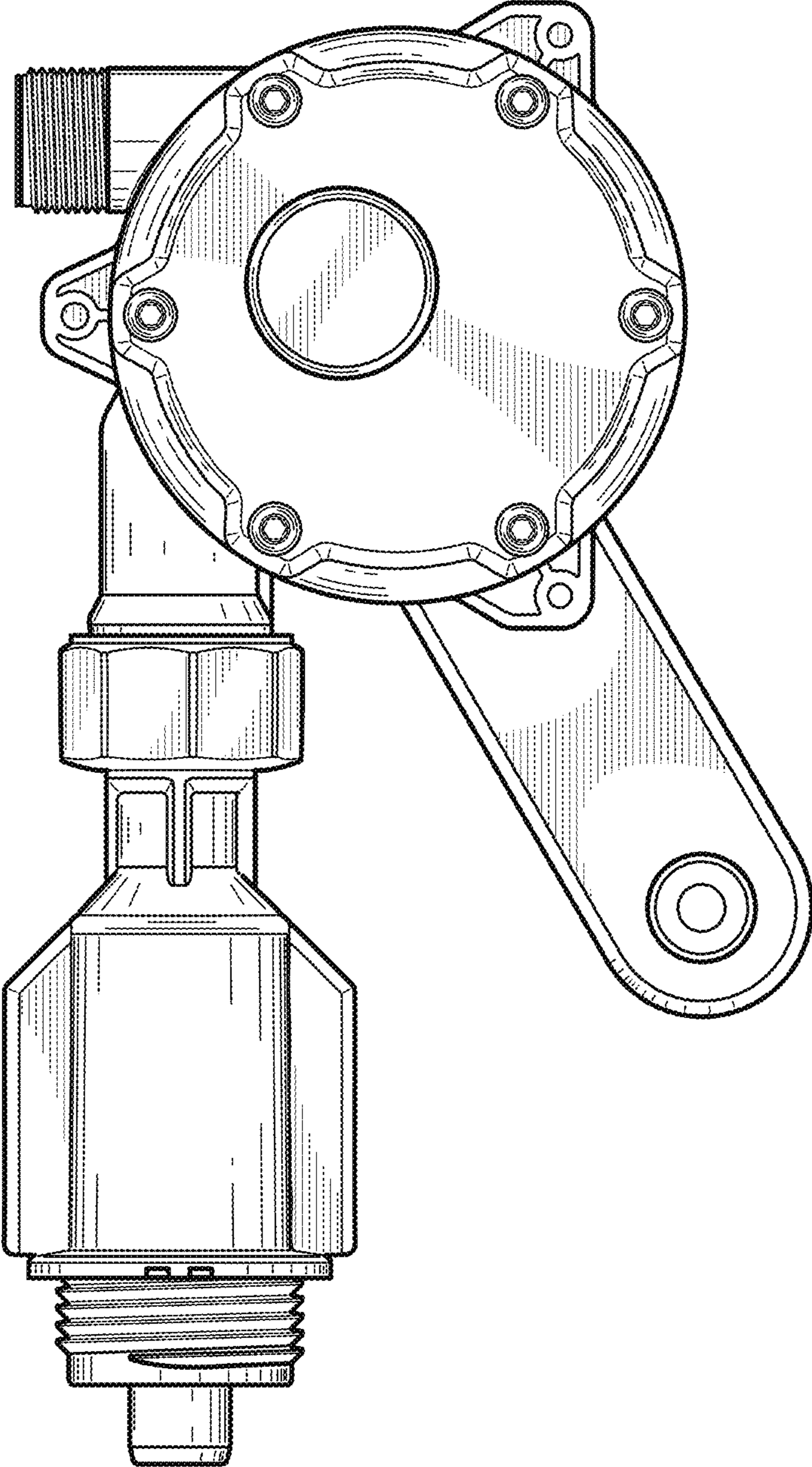


FIG. 5

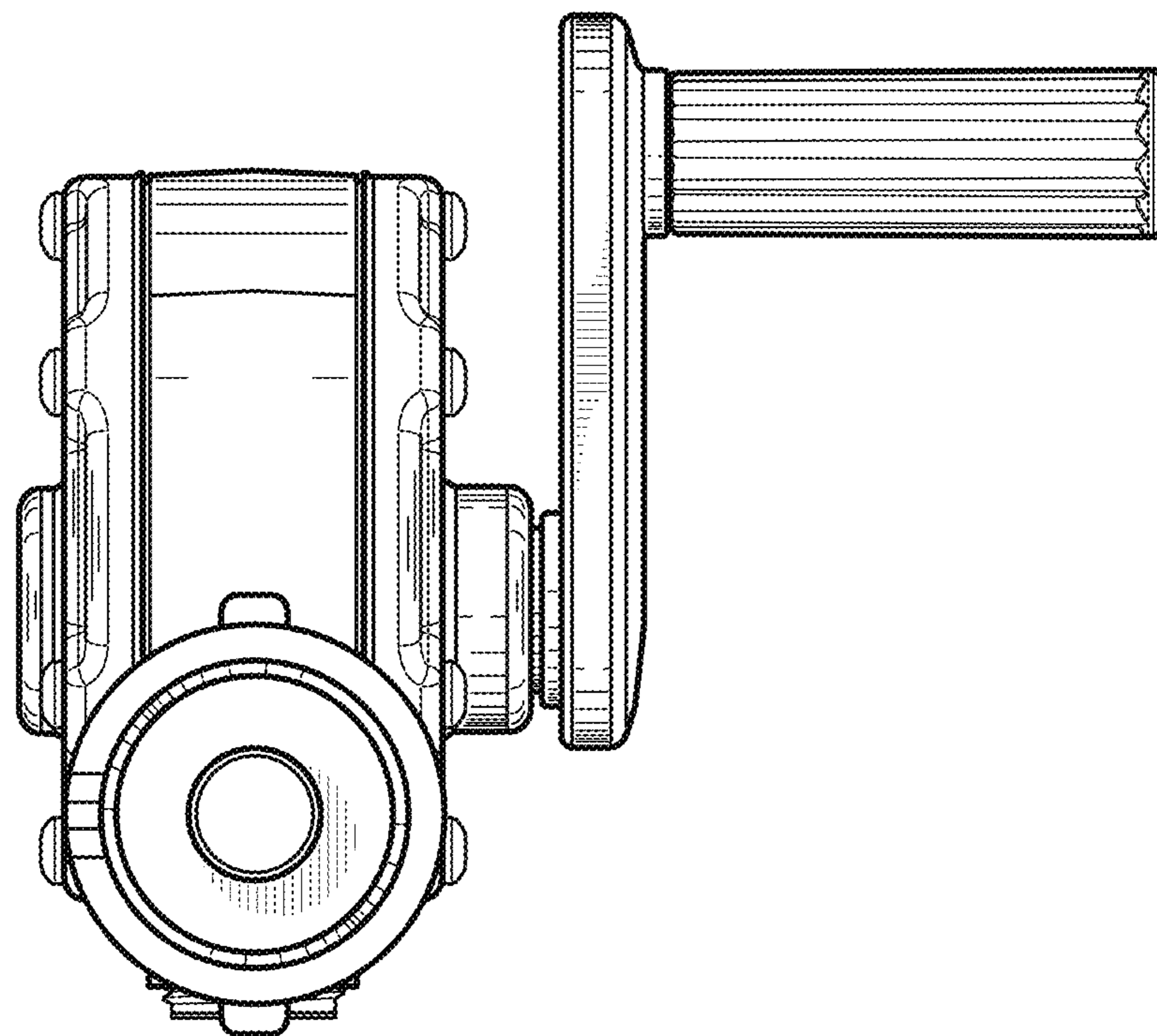


FIG. 6

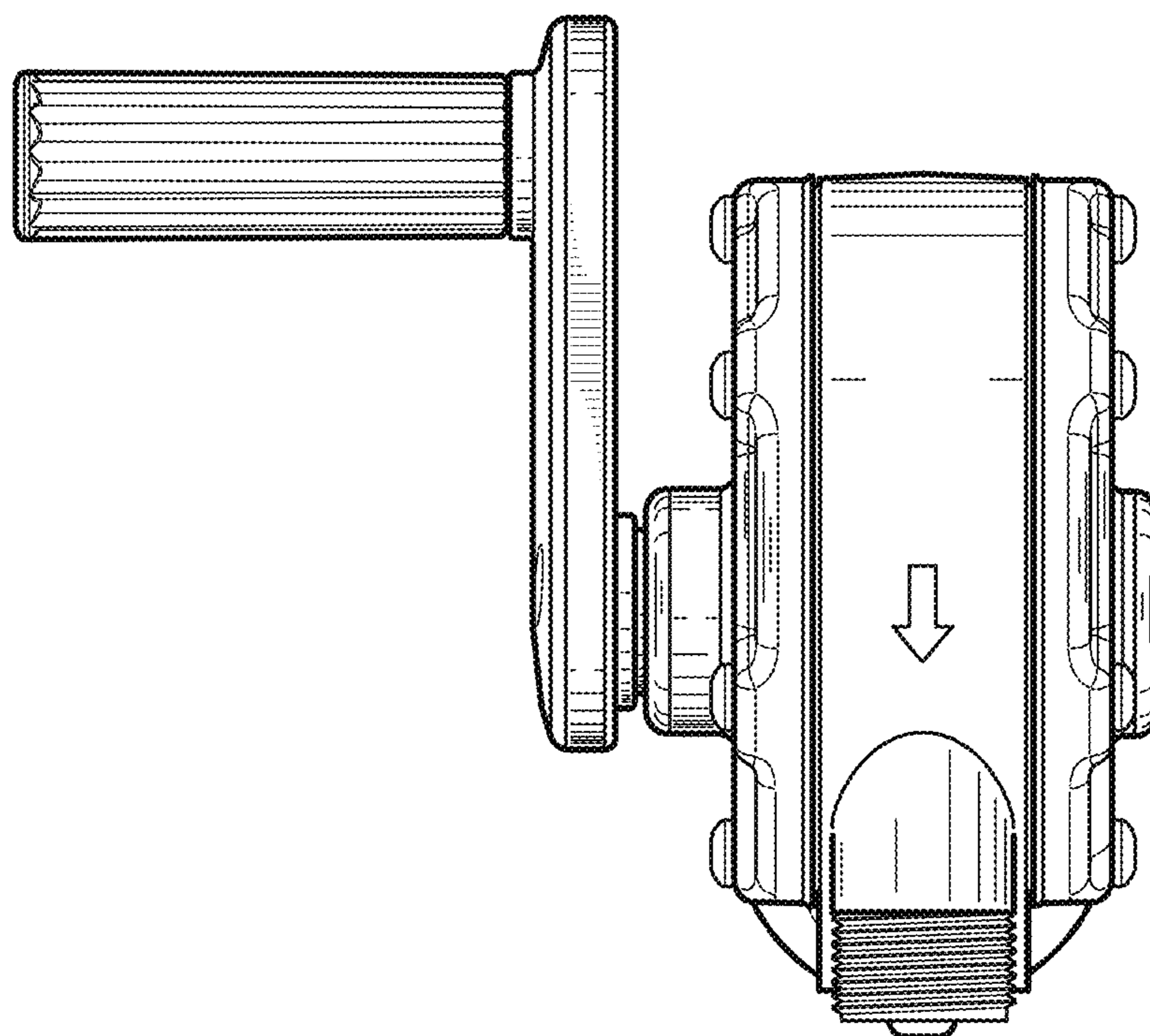


FIG. 7