



US00D771713S

(12) **United States Design Patent** (10) **Patent No.:** **US D771,713 S**  
**Ye et al.** (45) **Date of Patent:** **\*\* Nov. 15, 2016**

(54) **ELECTRICALLY DRIVEN PUMP**  
(71) Applicant: **Hangzhou Sanhua Research Institute Co., Ltd., Zhejiang (CN)**  
(72) Inventors: **Wei Ye, Zhejiang (CN); Junchao Zhang, Zhejiang (CN); Junfeng Bao, Zhejiang (CN)**  
(73) Assignee: **Hangzhou Sanhua Research Institute Co., Ltd., Zhejiang (CN)**

D487,752 S \* 3/2004 Tsai ..... D15/7  
D491,196 S \* 6/2004 Poon ..... D15/7  
D553,646 S \* 10/2007 Wu ..... D15/7  
D559,269 S \* 1/2008 Wu ..... D15/7  
D581,434 S \* 11/2008 Hamagishi ..... D15/7  
D592,681 S \* 5/2009 Hamagishi ..... D15/7  
D604,331 S \* 11/2009 Tokunaga ..... D15/7  
D604,332 S \* 11/2009 Tokunaga ..... D15/7  
D721,390 S \* 1/2015 Walter ..... D15/7  
D736,265 S \* 8/2015 Walter ..... D15/7

(\*\*) Term: **15 Years**

\* cited by examiner

*Primary Examiner* — Ralf Seifert

(21) Appl. No.: **29/536,199**

(74) *Attorney, Agent, or Firm* — Boyle Fredrickson, S.C.

(22) Filed: **Aug. 14, 2015**

(57) **CLAIM**

The ornamental design for an electrically driven pump, substantially as shown and described.

(30) **Foreign Application Priority Data**

**DESCRIPTION**

Jul. 24, 2015 (CN) ..... 2015 3 0270809

(51) **LOC (10) Cl.** ..... **15-02**

(52) **U.S. Cl.**  
USPC ..... **D15/7**

(58) **Field of Classification Search**  
USPC ..... D15/7-9; D23/231, 232, 225; 417/60, 417/235, 265, 321, 355, 358, 363, 359, 417/410.1, 415-416, 405, 900; 60/408, 60/412; 184/26-37; 415/140-147; 123/495, 509; 137/565.34  
CPC ..... F02M 37/04; F02M 37/14  
See application file for complete search history.

FIG. 1 is a front view of an electrically driven pump according to the present application;  
FIG. 2 is a rear view of the electrically driven pump according to the present application;  
FIG. 3 is a left view of the electrically driven pump according to the present application;  
FIG. 4 is a right view of the electrically driven pump according to the present application;  
FIG. 5 is a top view of the electrically driven pump according to the present application;  
FIG. 6 is a bottom view of the electrically driven pump according to the present application; and,  
FIG. 7 is a perspective view of the electrically driven pump according to the present application.

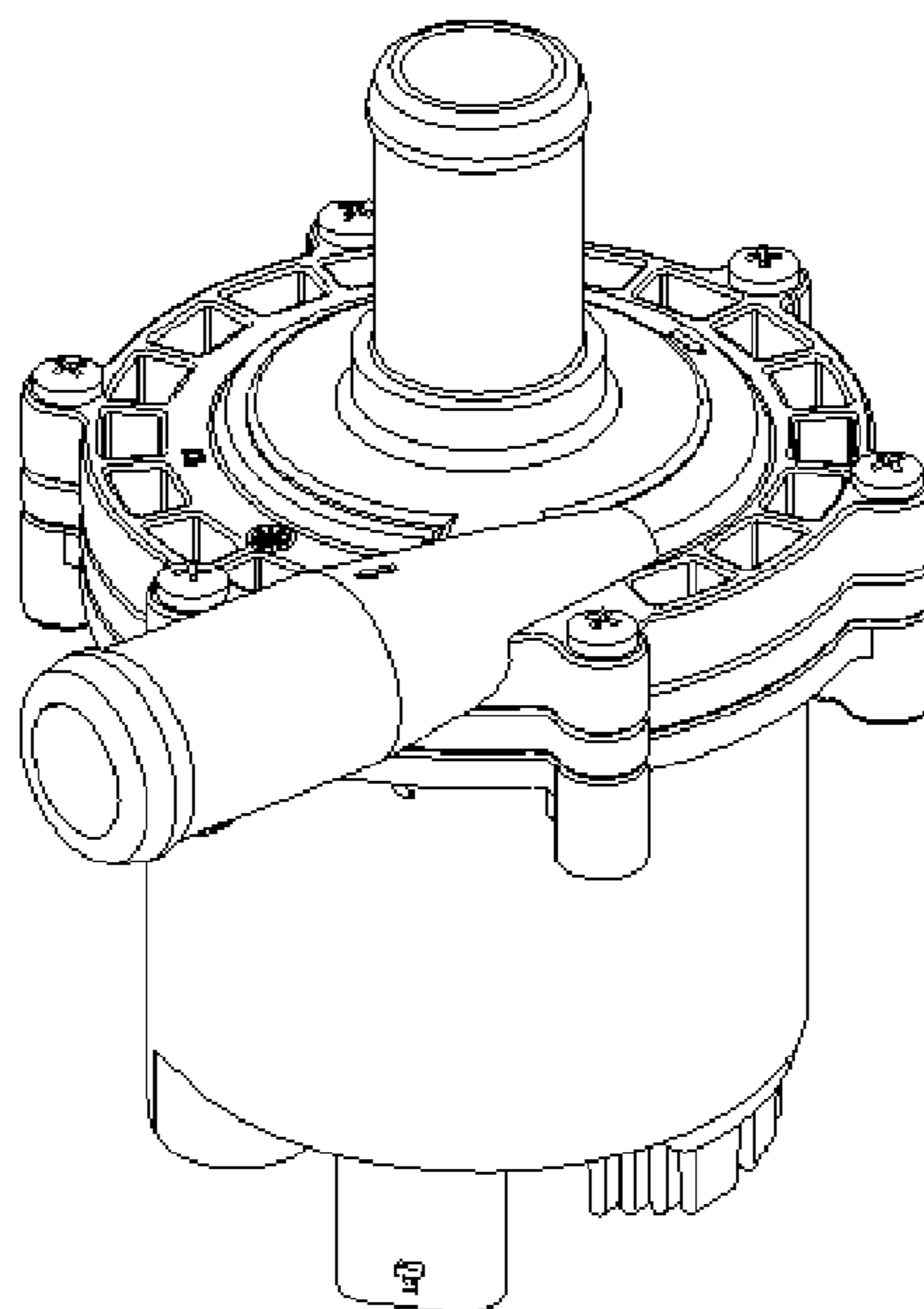
(56) **References Cited**

**U.S. PATENT DOCUMENTS**

D435,049 S \* 12/2000 Tsai ..... D15/7  
D479,722 S \* 9/2003 Poon ..... D15/7  
D486,159 S \* 2/2004 Poon ..... D15/7

The broken lines are for illustrative purposes and represent environmental structure and unclaimed portions of the invention and therefore form no part of the claimed design.

**1 Claim, 7 Drawing Sheets**



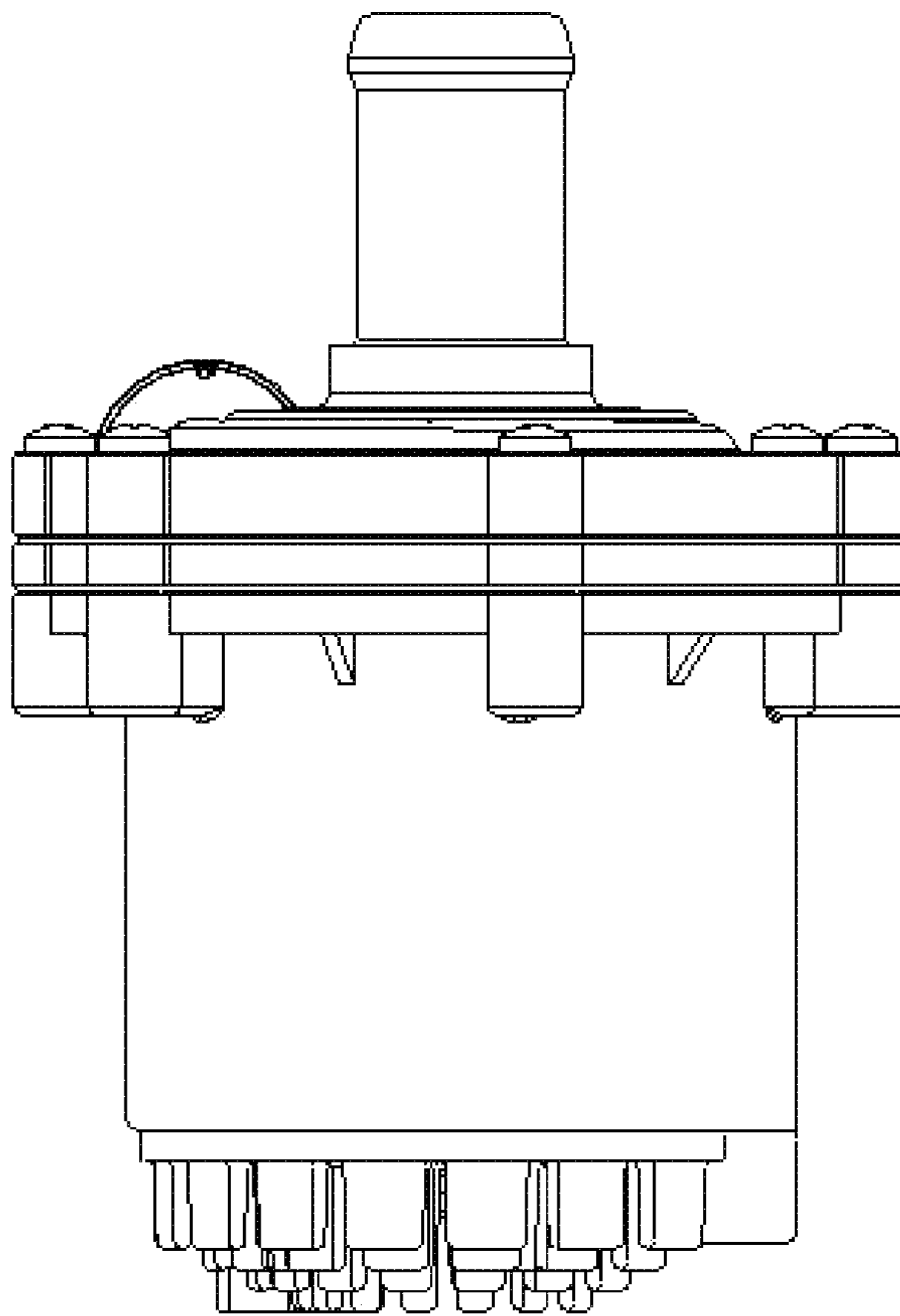


Figure 1

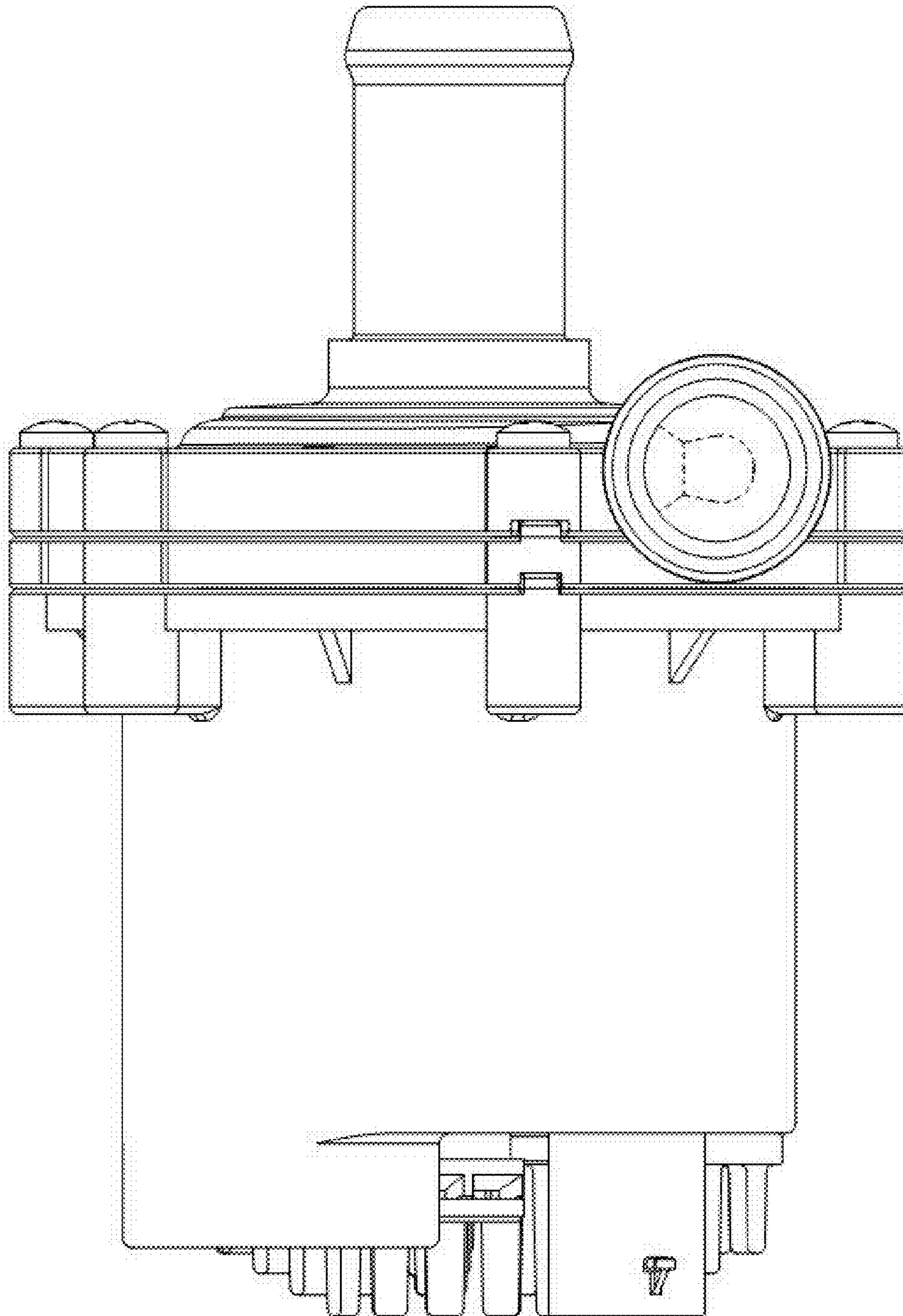


Figure 2

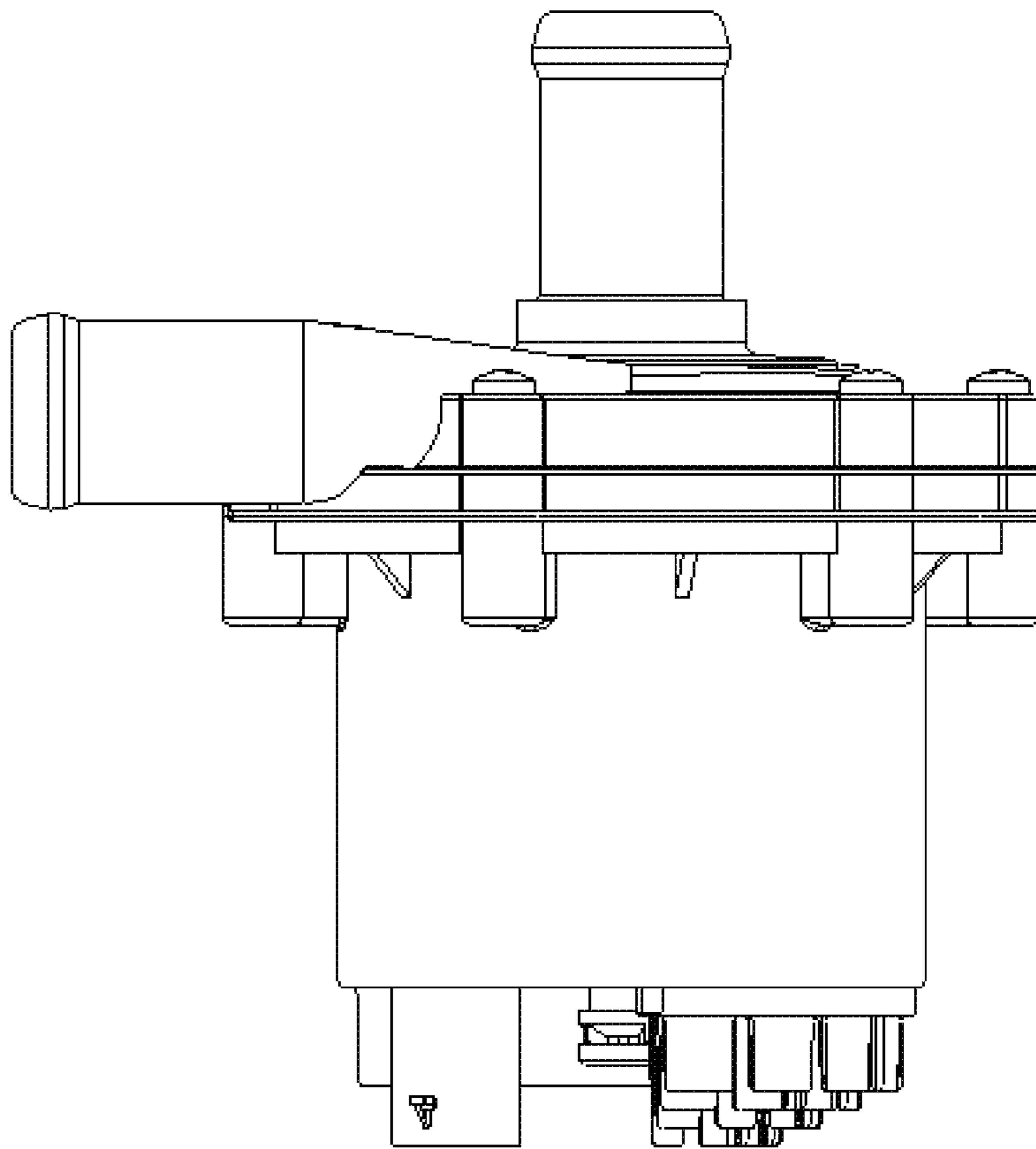


Figure 3

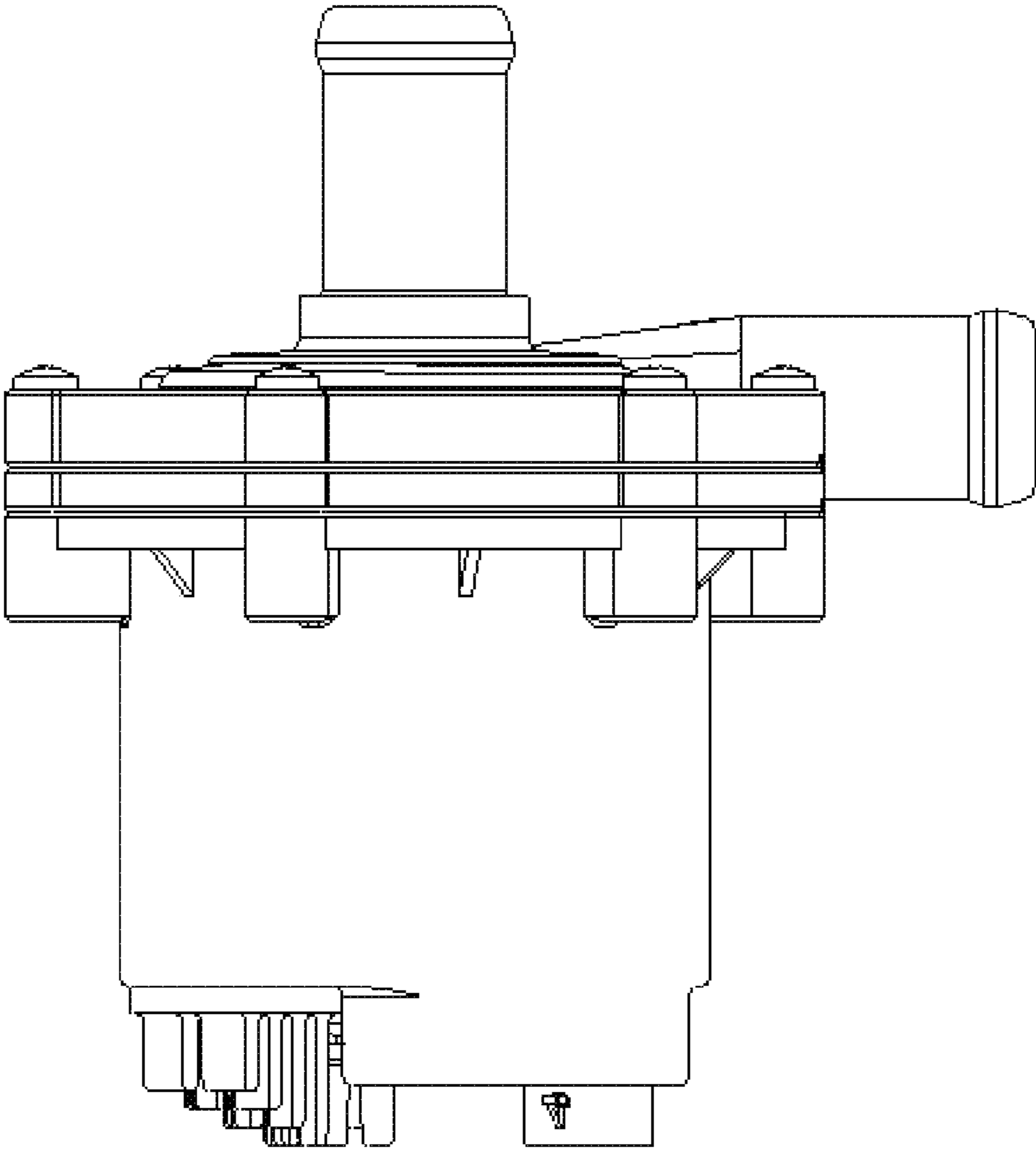


Figure 4

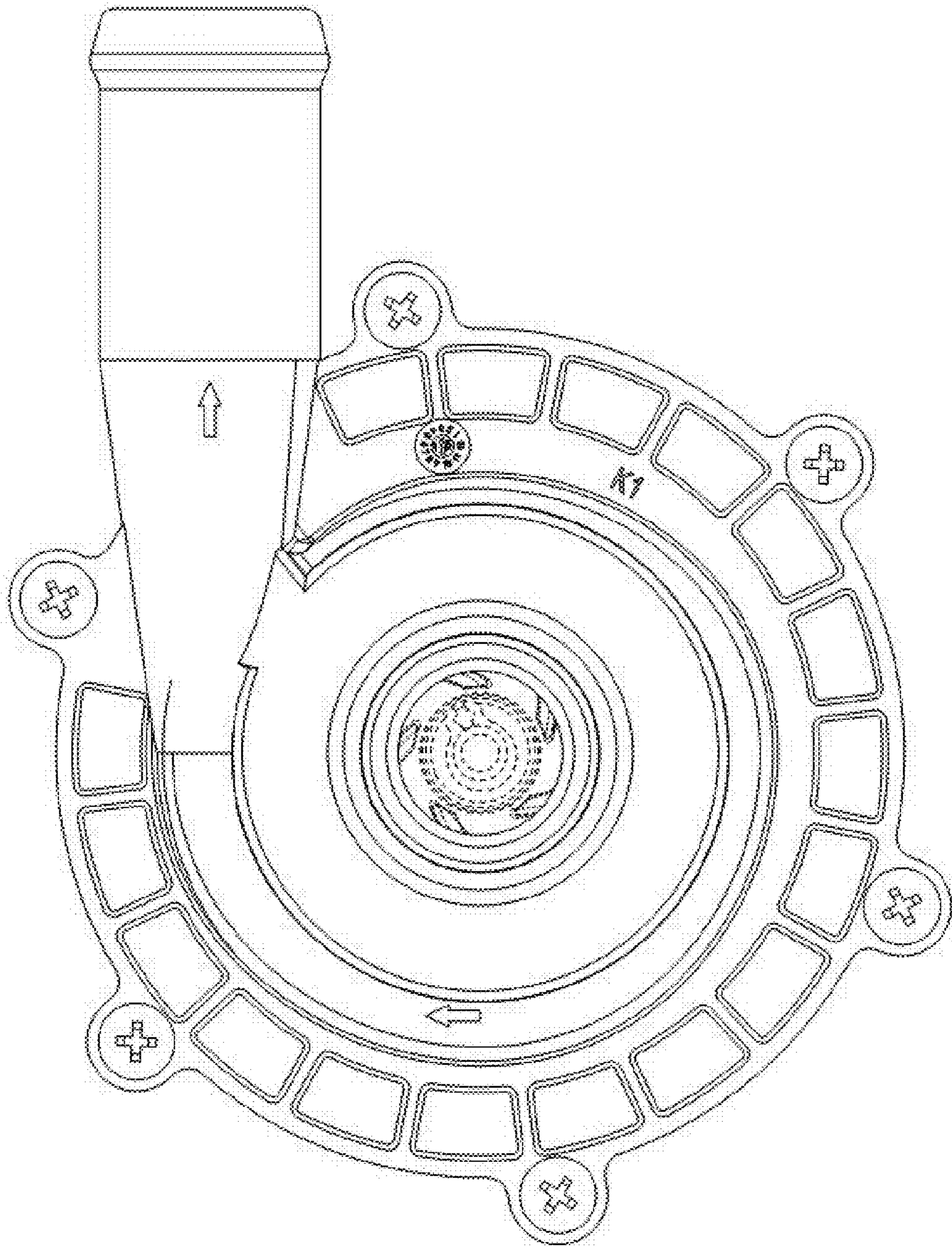


Figure 5

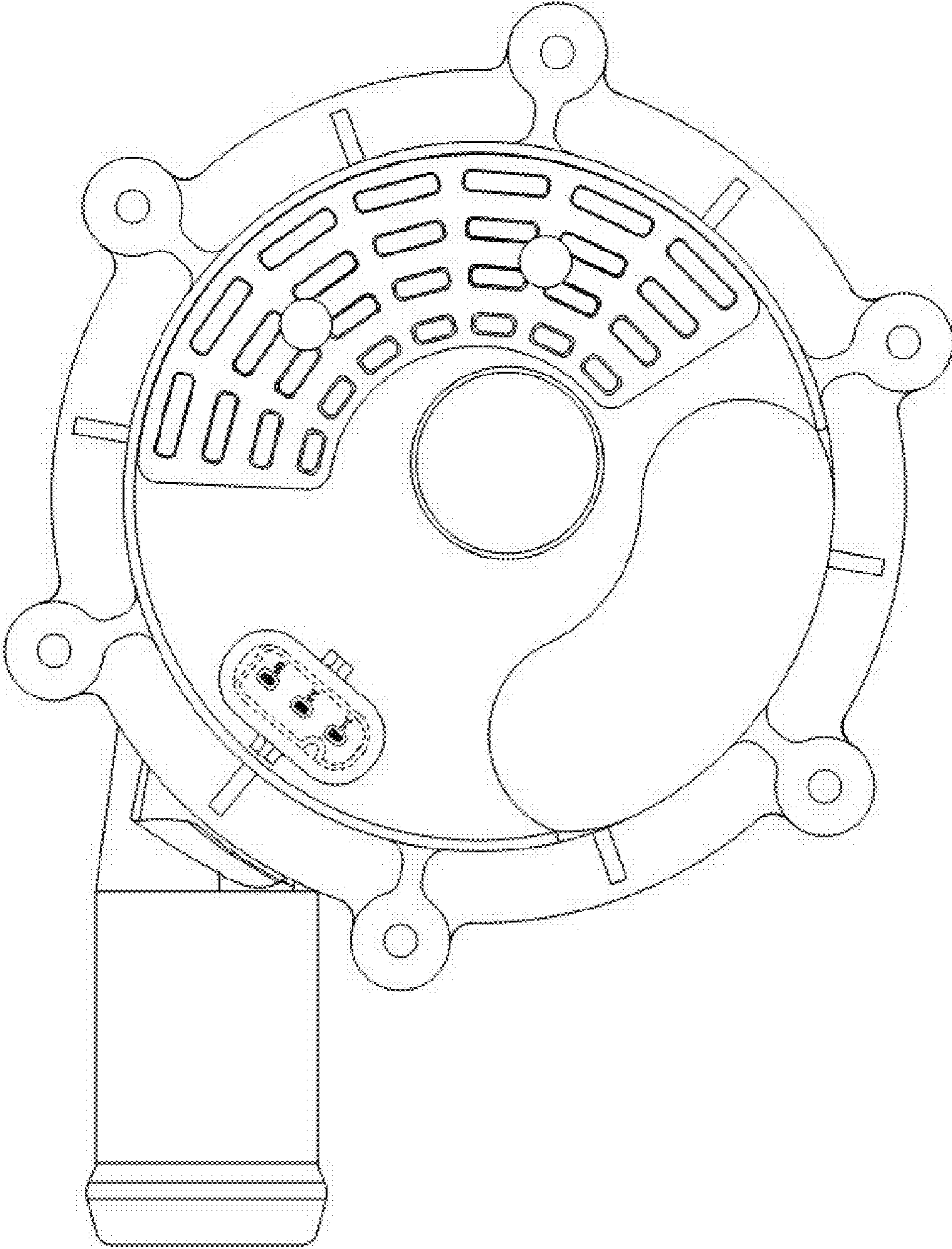


Figure 6

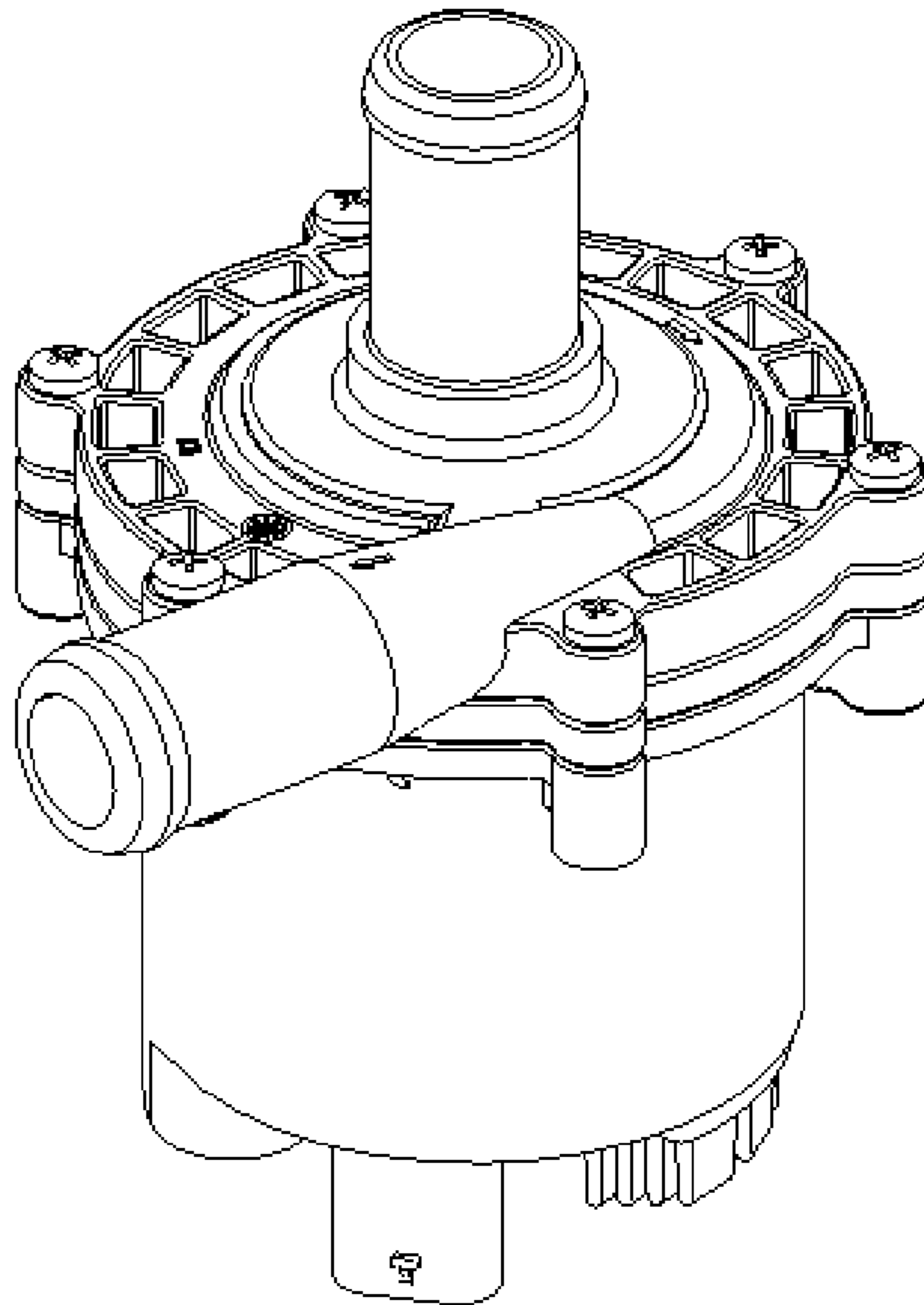


Figure 7