



US00D771710S

(12) **United States Design Patent** (10) **Patent No.:** **US D771,710 S**
Prasad et al. (45) **Date of Patent:** **** Nov. 15, 2016**

(54) **DISPLAY SCREEN OF MOBILE DEVICE WITH ANIMATED GRAPHICAL USER INTERFACE**

(71) Applicant: **Goodbit Technologies, Inc.**, Toronto (CA)

(72) Inventors: **Nathan Prasad**, Oakville (CA); **Scott Latham**, Oakville (CA)

(73) Assignee: **Goodbit Technologies, Inc.** (CA)

(**) Term: **15 Years**

(21) Appl. No.: **29/540,598**

(22) Filed: **Sep. 25, 2015**

(51) **LOC (10) Cl.** **14-04**

(52) **U.S. Cl.**
USPC **D14/495**

(58) **Field of Classification Search**
USPC D14/485–495
CPC G06T 13/00; G06T 13/80; G06F 3/04845
See application file for complete search history.

(56) **References Cited**

U.S. PATENT DOCUMENTS

D422,990 S *	4/2000	Bright	D14/493
D512,726 S *	12/2005	Hernandez	D14/489
D594,468 S *	6/2009	Bamford	D14/488
D595,731 S *	7/2009	Vu	D14/488
D597,553 S *	8/2009	Larson	D14/488
D614,643 S *	4/2010	Viegers	D14/486
7,941,752 B2 *	5/2011	Ozugur	H04L 63/102 379/90.01
D677,279 S *	3/2013	Phelan	D14/495
D678,307 S *	3/2013	Kanalakis, Jr.	D14/486
D682,882 S *	5/2013	Cahill	D14/490
D717,339 S *	11/2014	Wen	D14/495
D736,831 S *	8/2015	Kim	D14/489
D752,105 S *	3/2016	Lee	D14/494
D754,746 S *	4/2016	Kim	D14/495
D755,242 S *	5/2016	Rajeswaran	D14/495
D756,376 S *	5/2016	Vazquez	D14/485
D757,116 S *	5/2016	Capela	D14/495

2009/0228820 A1 *	9/2009	Kim	G06F 3/04817 715/769
2009/0265628 A1 *	10/2009	Bamford	G06F 3/0482 715/702
2009/0282003 A1 *	11/2009	Hirata	G06F 17/30126
2010/0058244 A1 *	3/2010	Wang	G06F 3/04817 715/838
2011/0102352 A1 *	5/2011	Dadlani Mahtani ..	G06F 3/0416 345/173
2013/0145286 A1 *	6/2013	Feng	G06Q 50/01 715/753
2015/0189056 A1 *	7/2015	Magi	G06F 1/1652 455/566
2015/0356160 A1 *	12/2015	Berwick	G06F 17/30572 715/781
2016/0062630 A1 *	3/2016	Anzures	H04L 51/10 715/739
2016/0162130 A1 *	6/2016	Yoon	G06F 3/04842 715/748

* cited by examiner

Primary Examiner — Ian Simmons

Assistant Examiner — Richelle G Shelton

(74) *Attorney, Agent, or Firm* — Eric L. Sophir; Dentons US LLP

(57) **CLAIM**

The ornamental design for a display screen of mobile device with animated graphical user interface, as shown and described.

DESCRIPTION

FIG. 1 is a front view of a first image in a sequence for a display screen of mobile device with animated graphical user interface showing our new design of a first embodiment;

FIG. 2 is a front view of a second image of the first embodiment;

FIG. 3 is a front view of a third image of the first embodiment;

FIG. 4 is a front view of a fourth image of the first embodiment;

FIG. 5 is a front view of a first image in a sequence for a display screen of mobile device with animated graphical user interface showing our new design of a second embodiment;

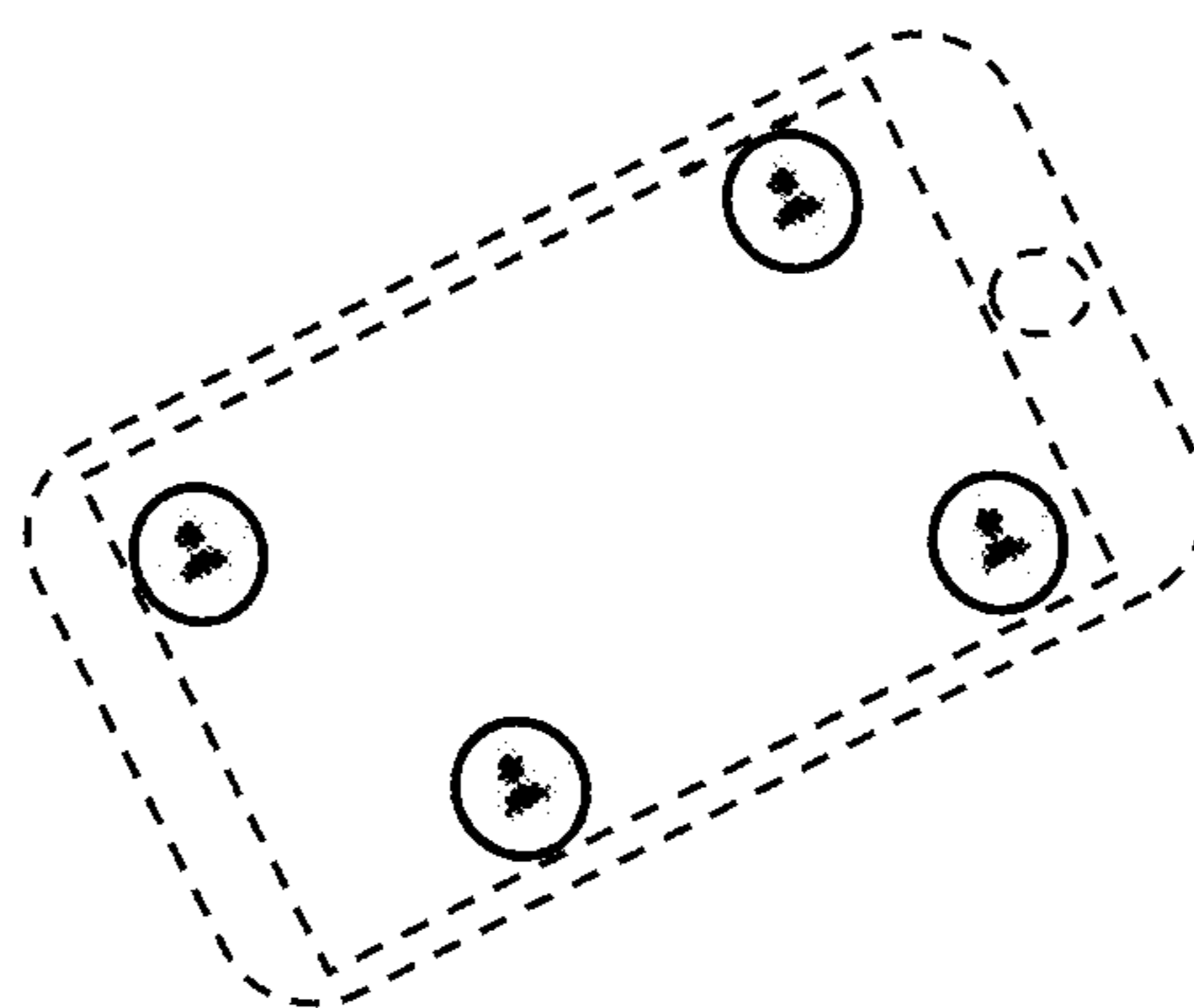
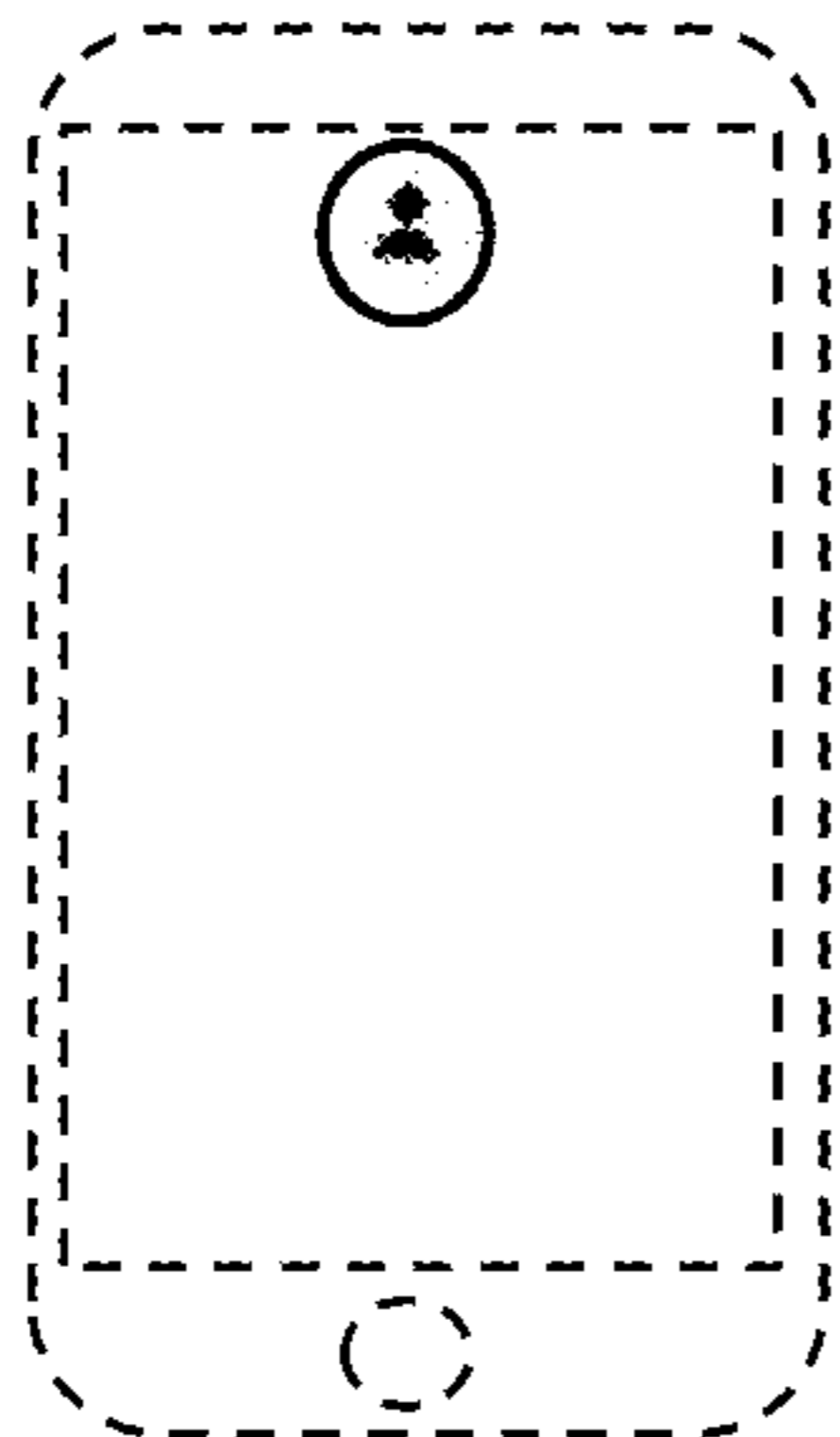


FIG. 6 is a front view of a second image of the second embodiment;

FIG. 7 is a front view of a third image of the second embodiment;

FIG. 8 is a front view of a fourth image of the second embodiment;

FIG. 9 is a front view of a first image in a sequence for a display screen of mobile device with animated graphical user interface showing our new design of a third embodiment;

FIG. 10 is a front view of a second image of the third embodiment;

FIG. 11 is a front view of a third image of the third embodiment;

FIG. 12 is a front view of a fourth image of the third embodiment;

FIG. 13 is a front view of a first image in a sequence for a display screen of mobile device with animated graphical user interface showing our new design of a fourth embodiment;

FIG. 14 is a front view of a second image of the fourth embodiment;

FIG. 15 is a front view of a third image of the fourth embodiment; and,

FIG. 16 is a front view of a fourth image of the fourth embodiment.

In the first embodiment, the appearance of the transitional image sequentially transitions between the images shown in FIGS. 1 through 4 as the mobile device is rotated.

In the second embodiment, the appearance of the transitional image sequentially transitions between the images shown in FIGS. 5 through 8 as the mobile device is rotated.

In the third embodiment, the appearance of the transitional image sequentially transitions between the images shown in FIGS. 9 through 12 as the mobile device is rotated.

In the fourth embodiment, the appearance of the transitional image sequentially transitions between the images shown in FIGS. 13 through 16 as the mobile device is rotated.

The process or period in which one image transitions to another image forms no part of the claimed design.

The broken lines shown in the drawings represent the mobile device and form no part of the claimed design.

1 Claim, 8 Drawing Sheets

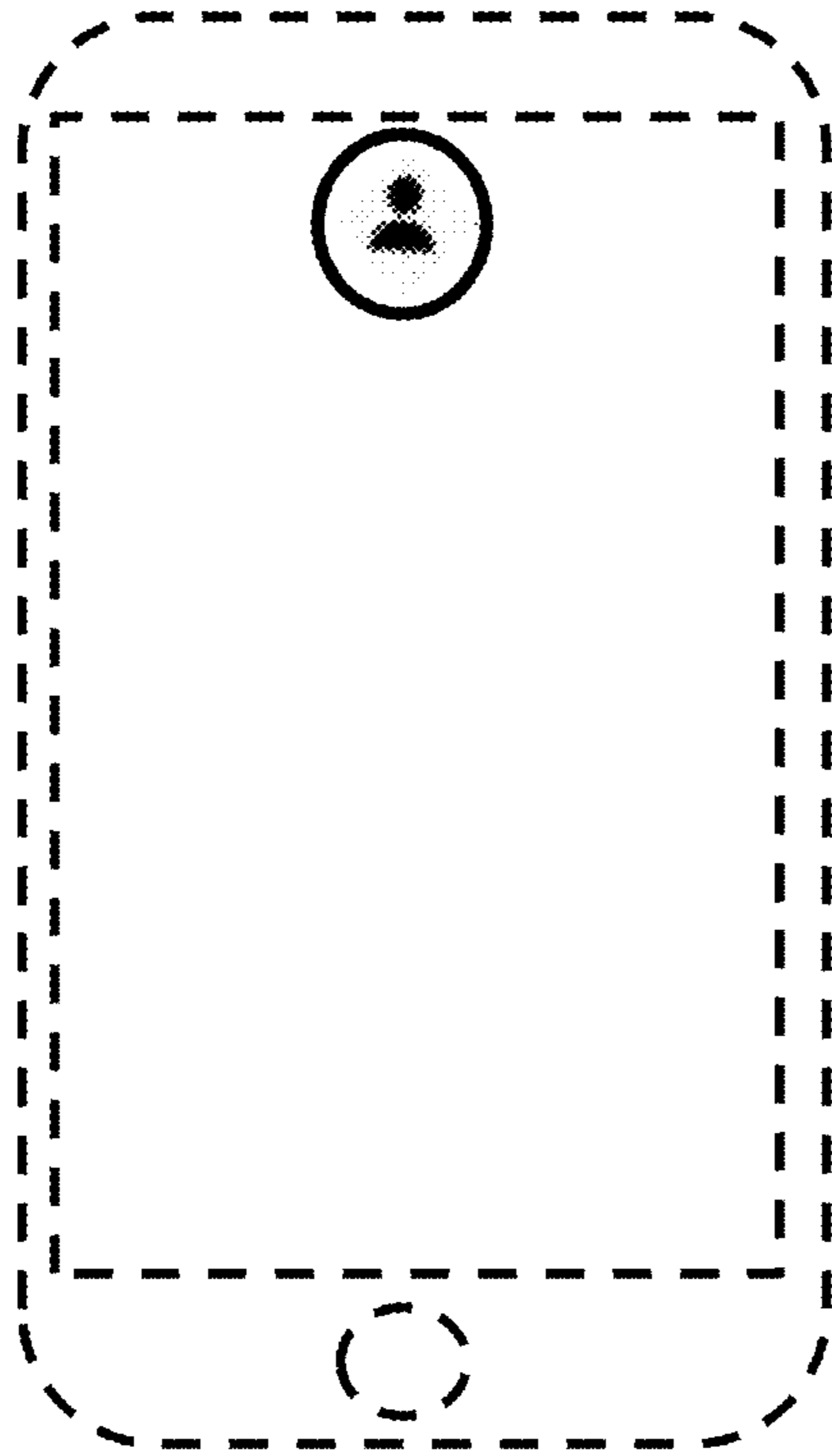


FIG. 1

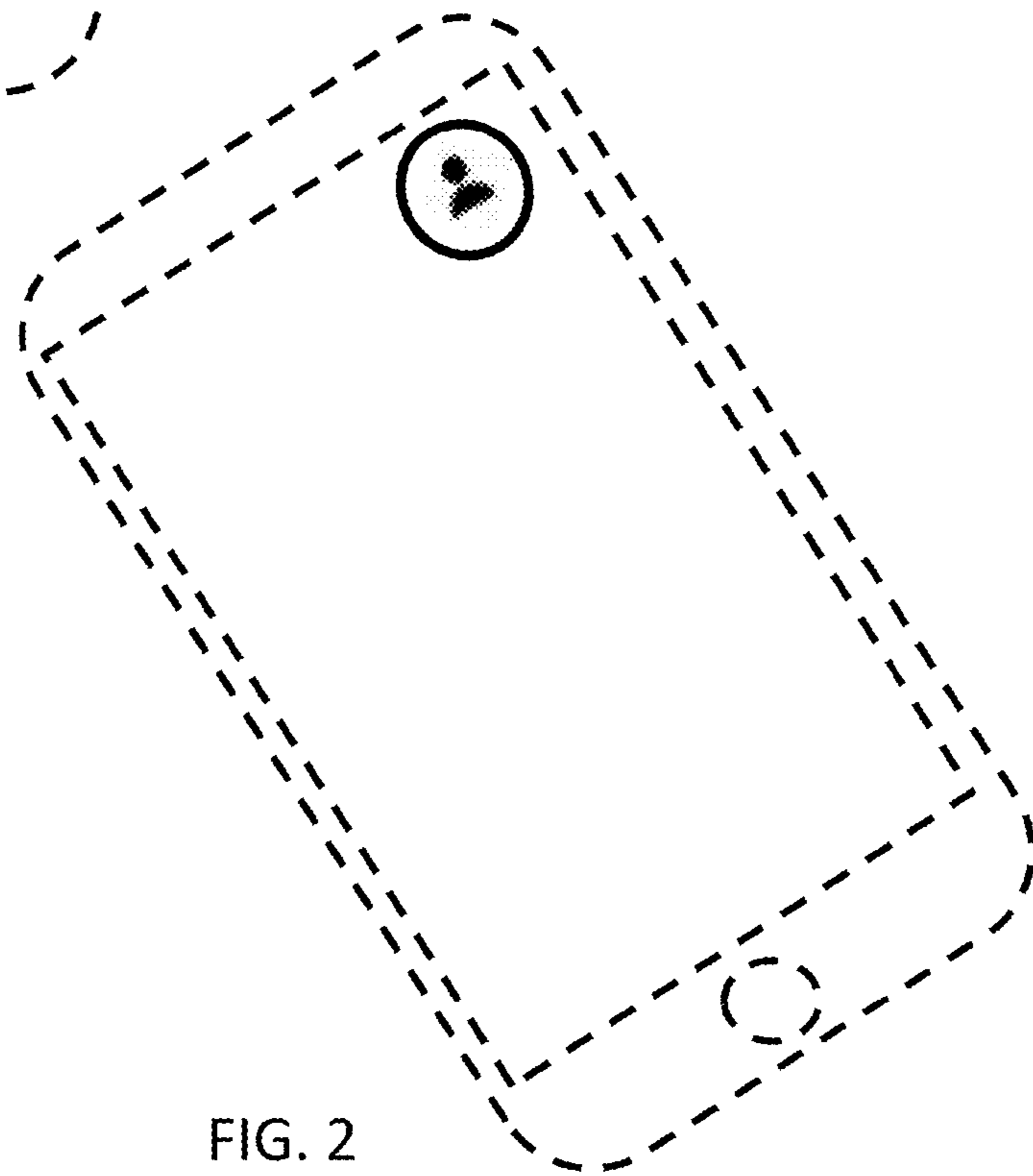


FIG. 2

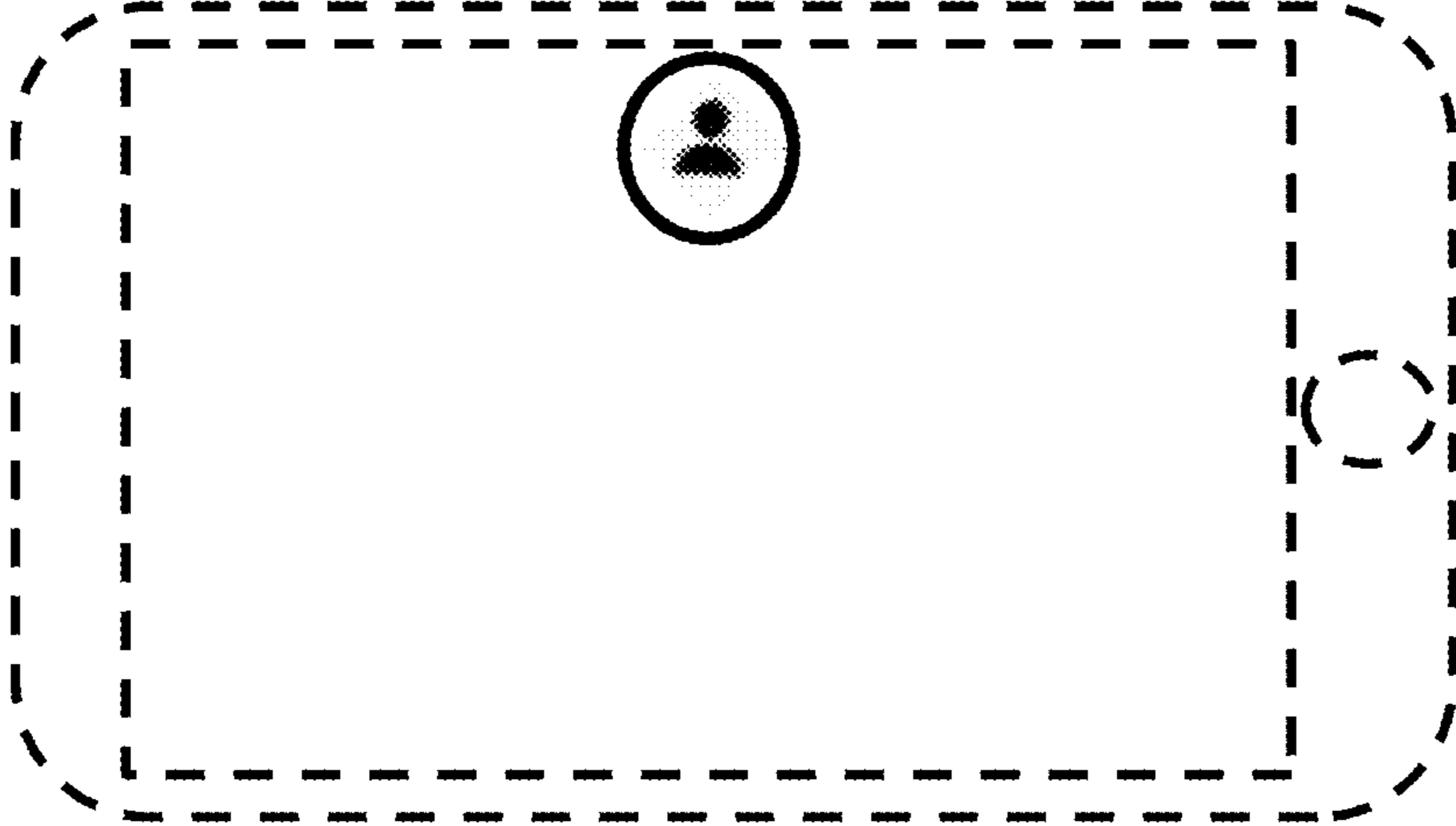


FIG. 3

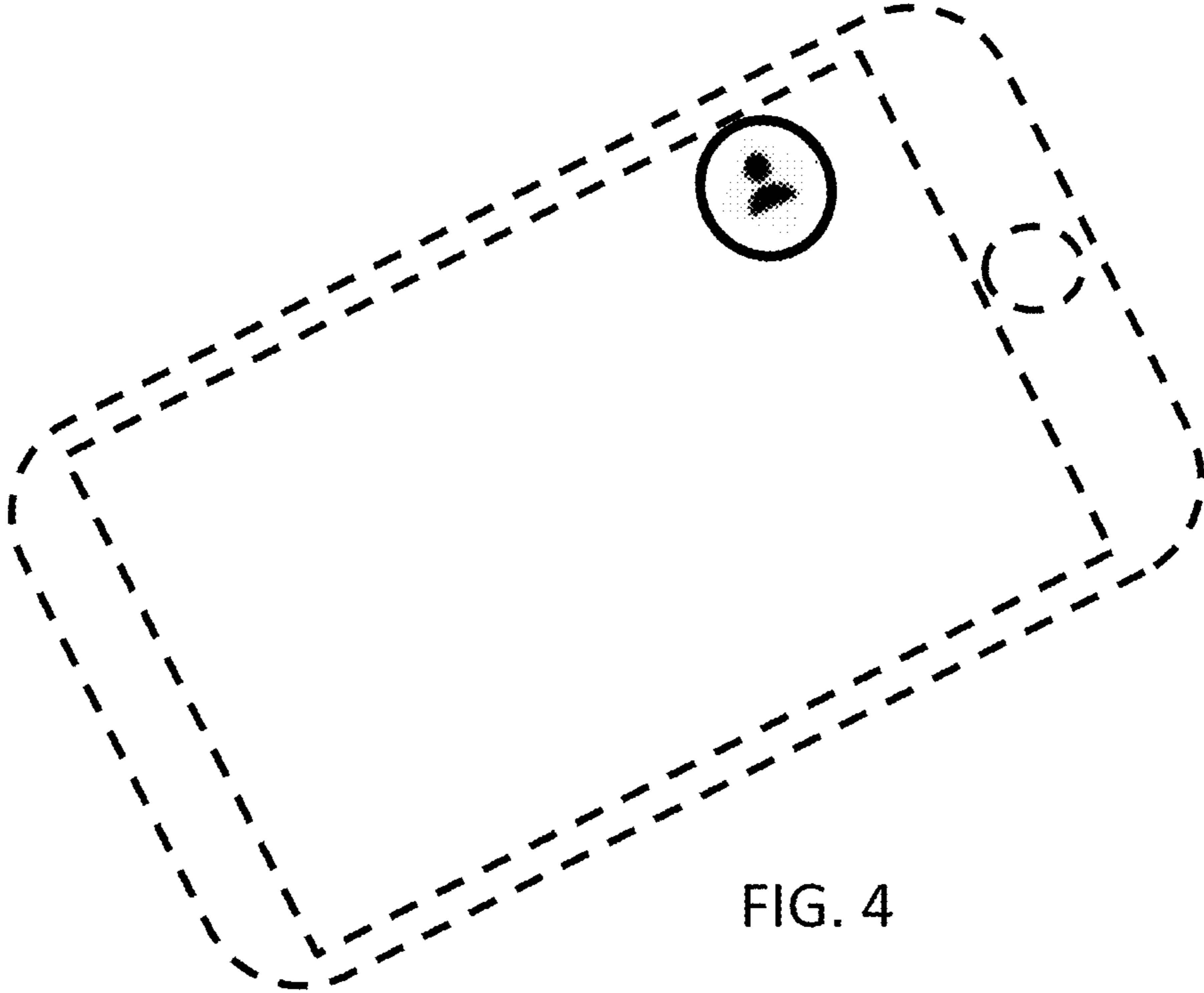


FIG. 4

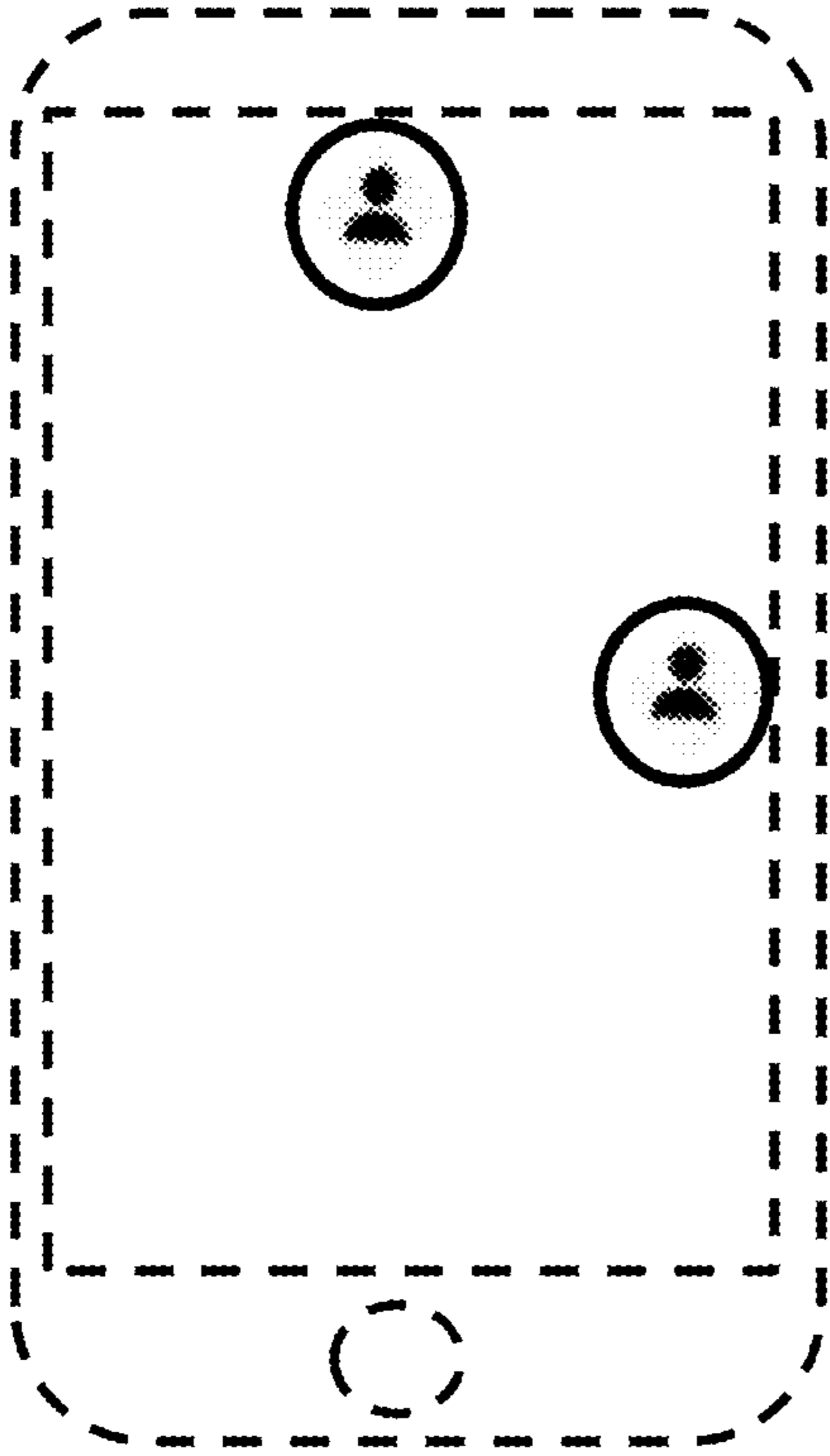


FIG. 5

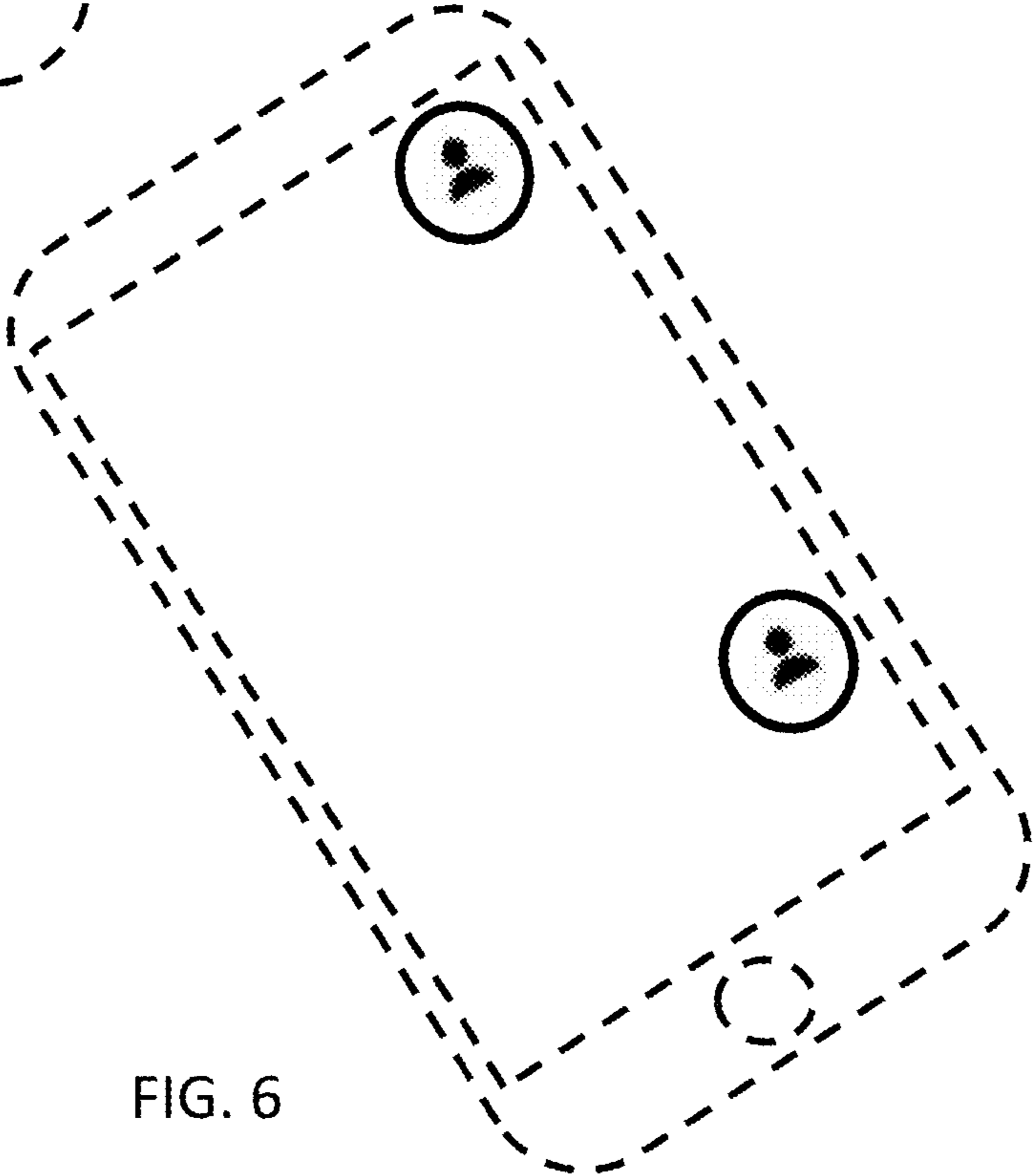


FIG. 6

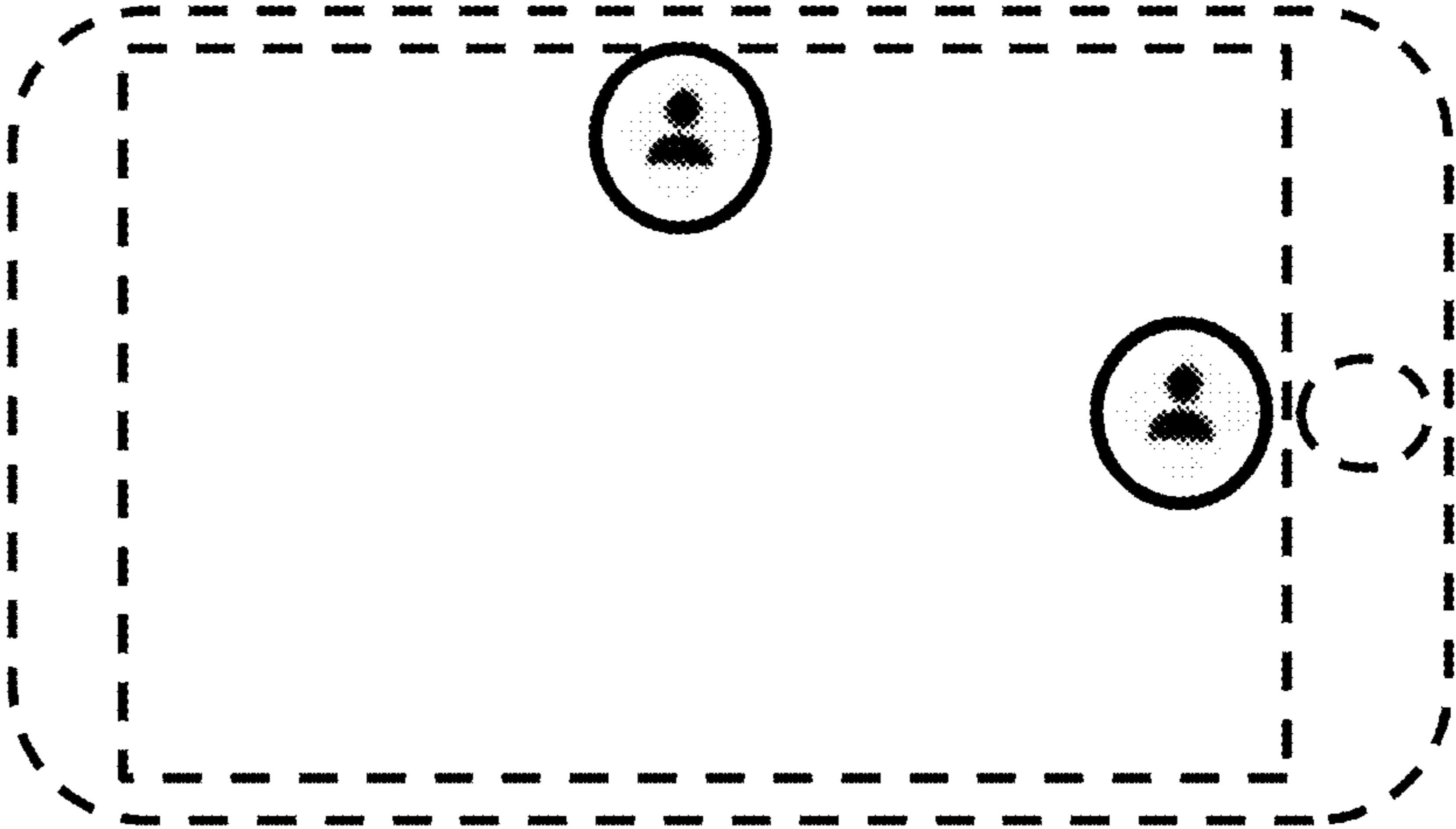


FIG. 7

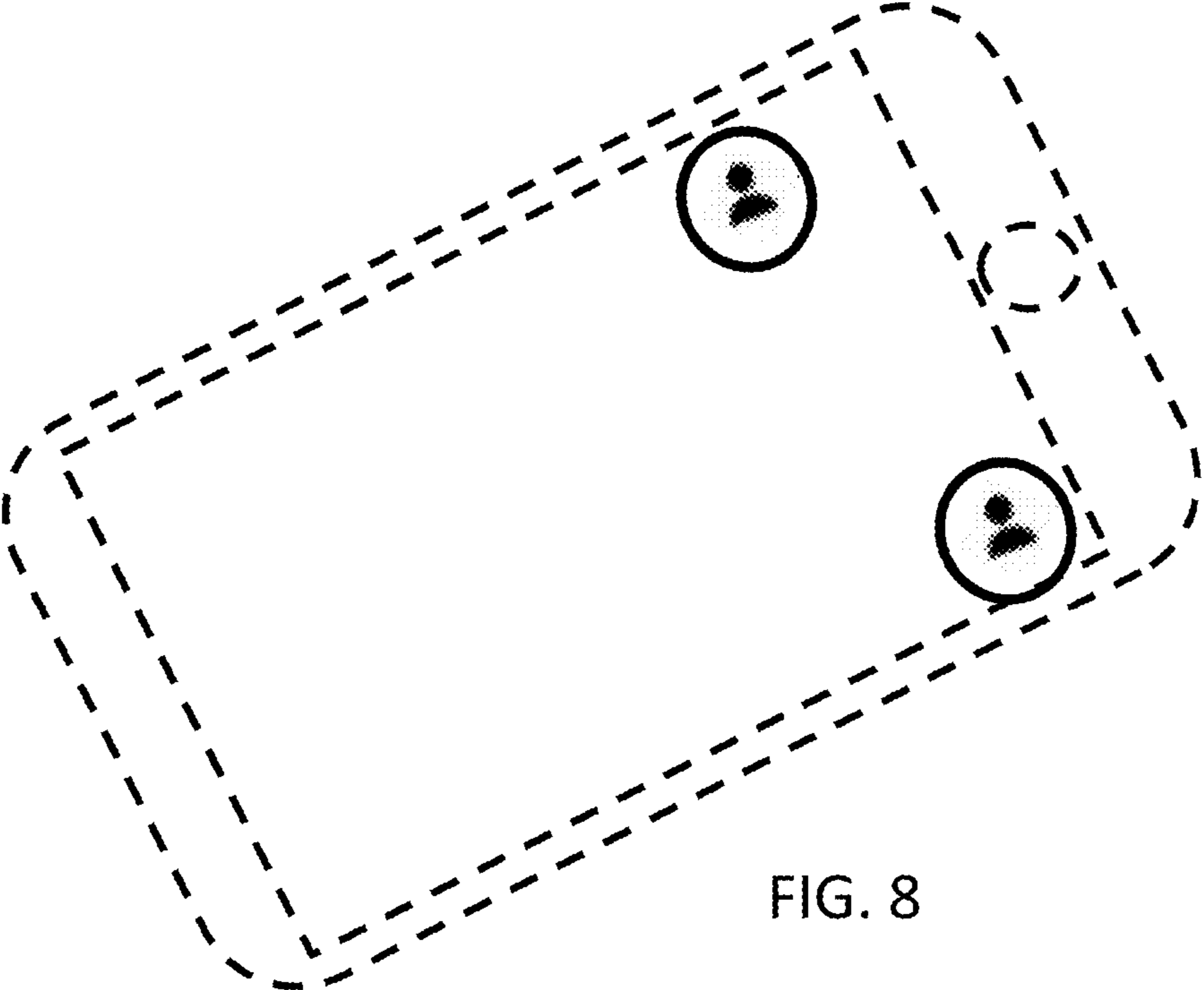


FIG. 8

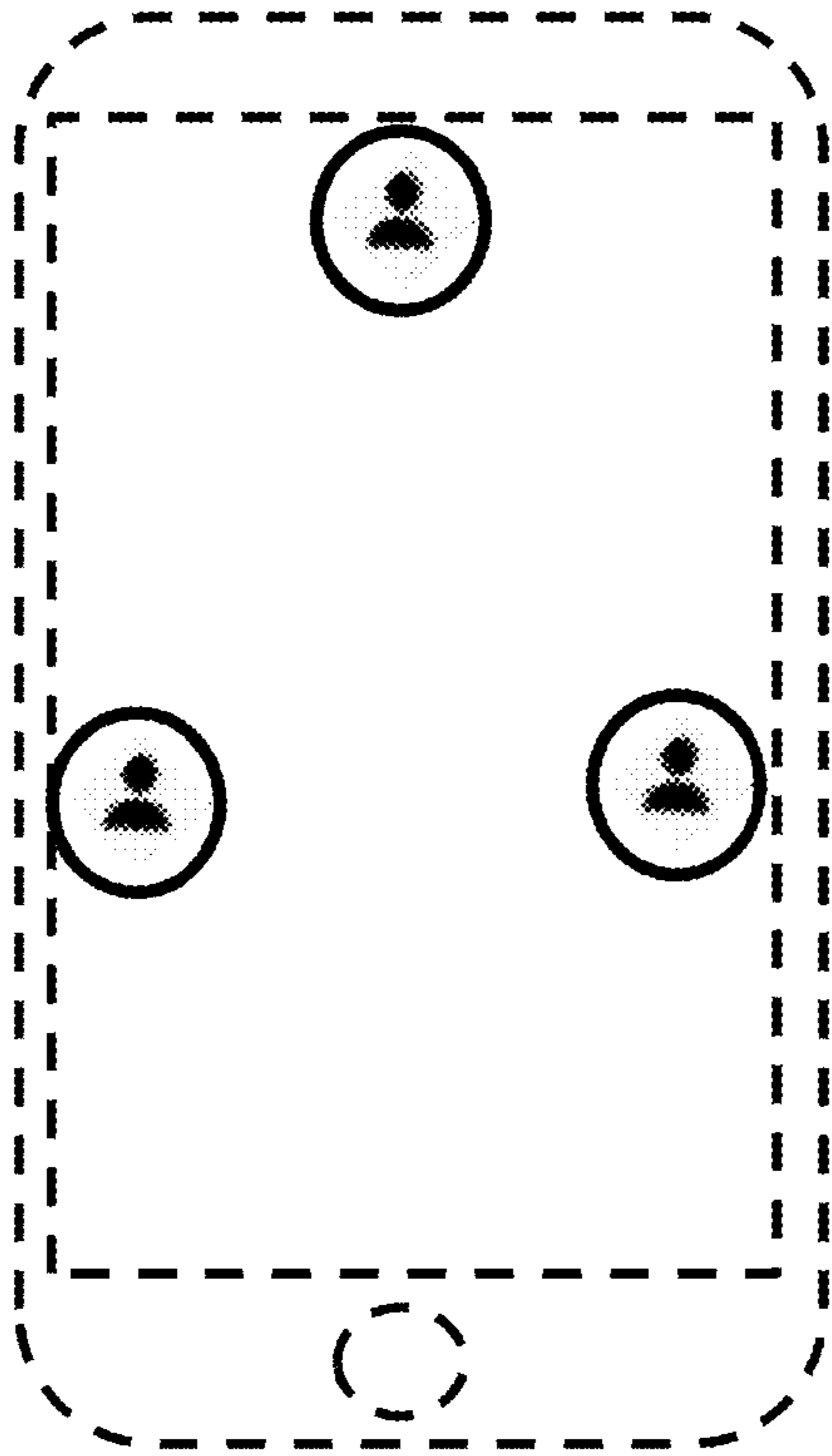


FIG. 9

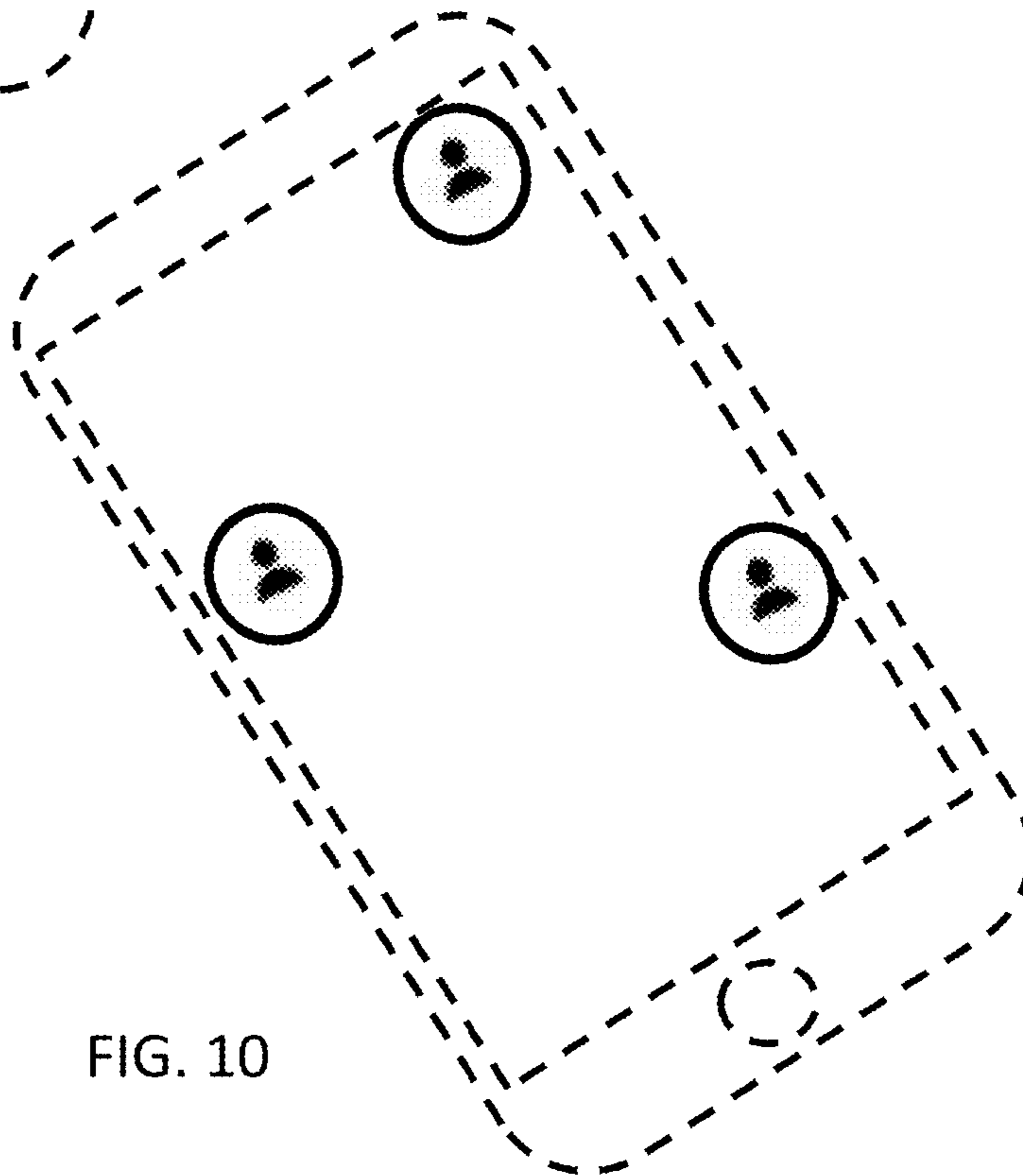


FIG. 10

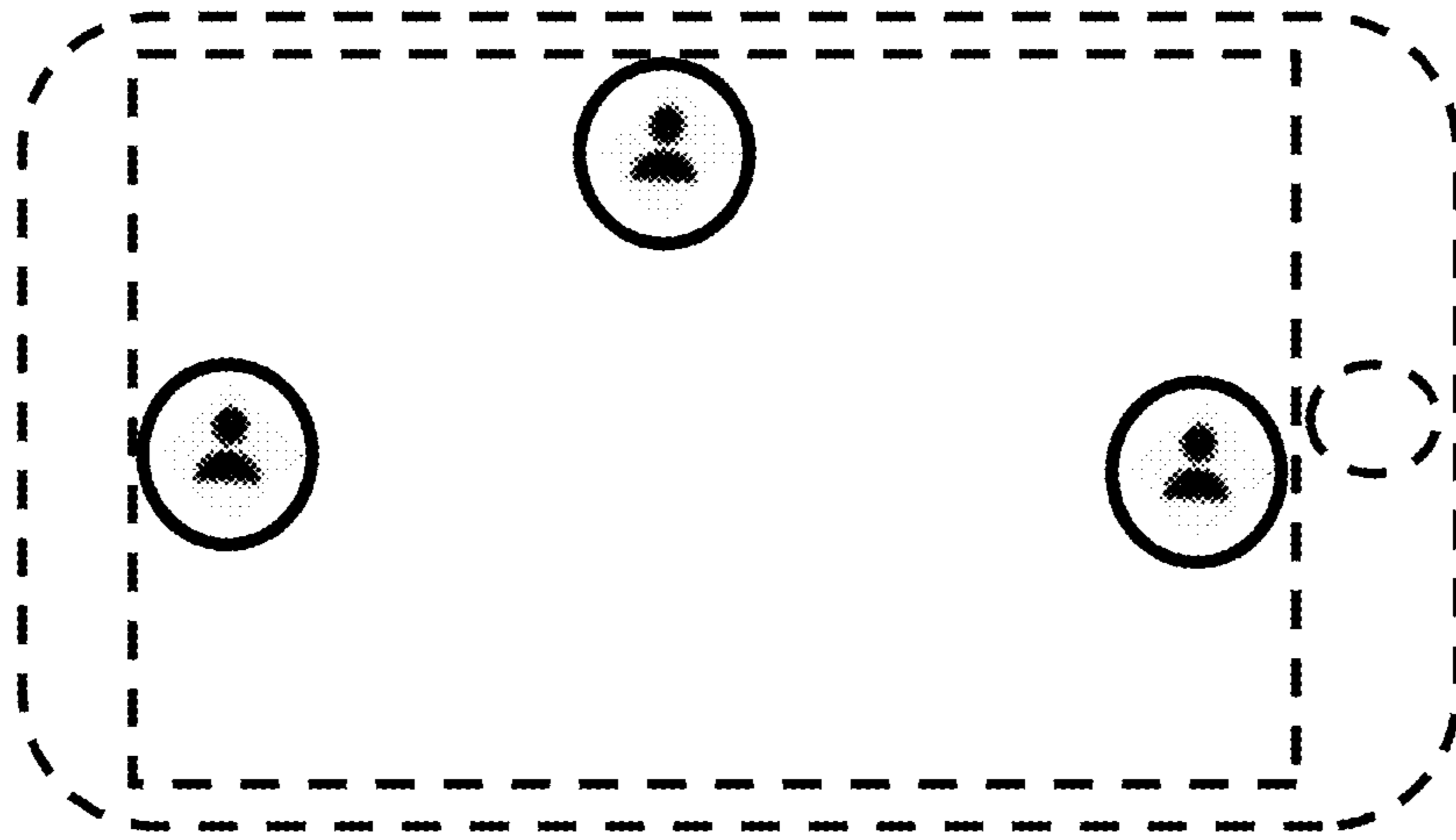


FIG. 11

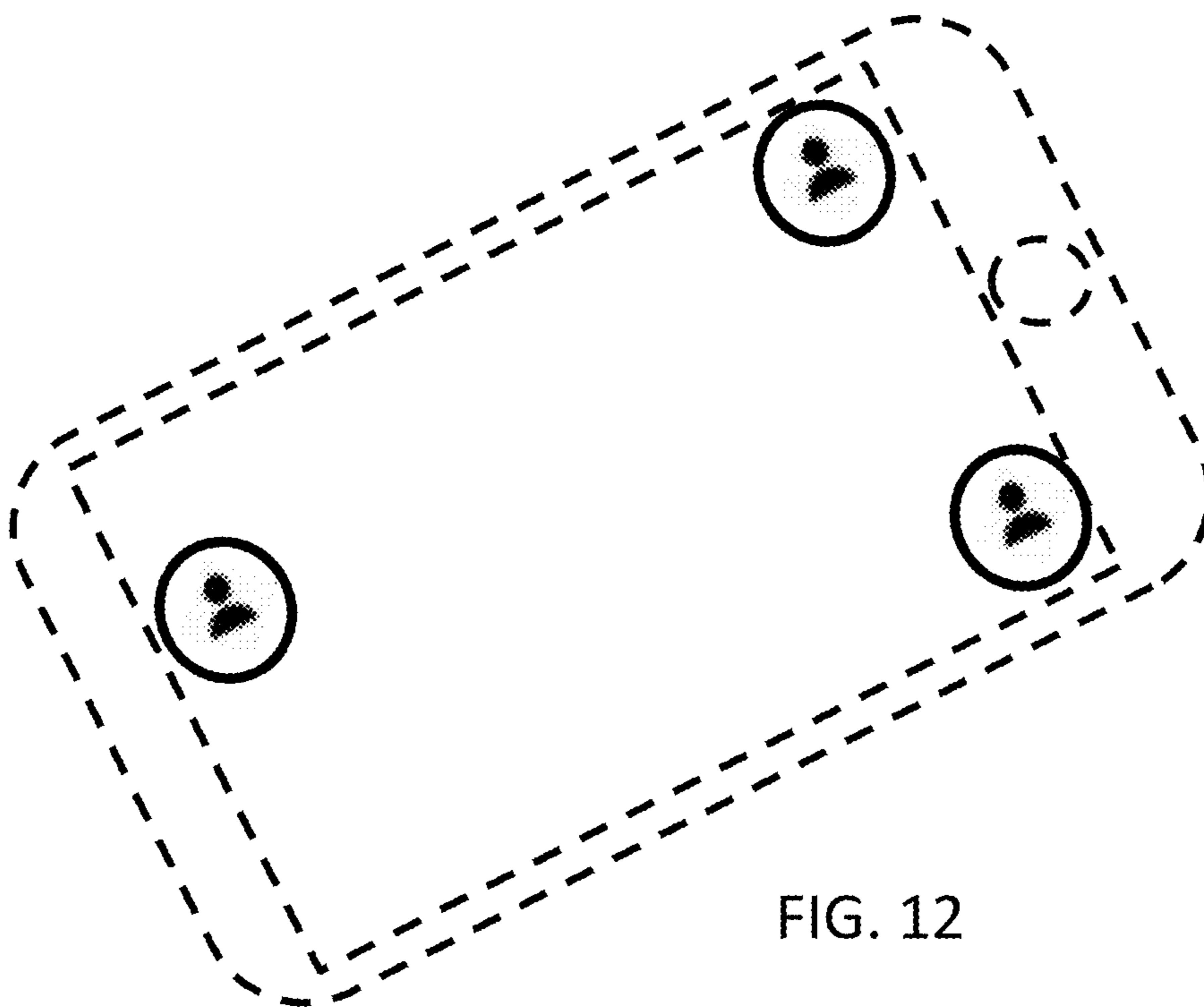


FIG. 12

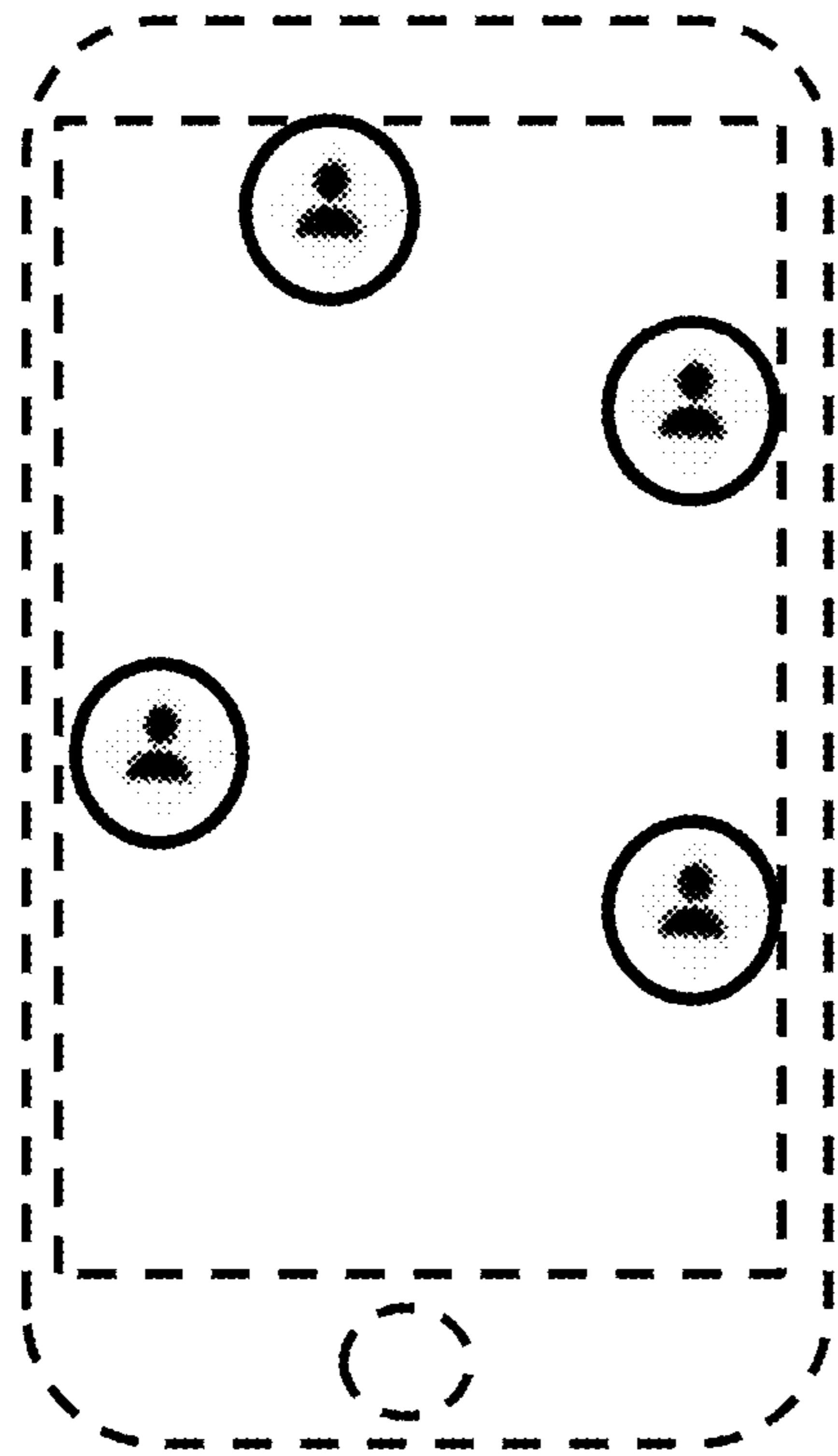


FIG. 13

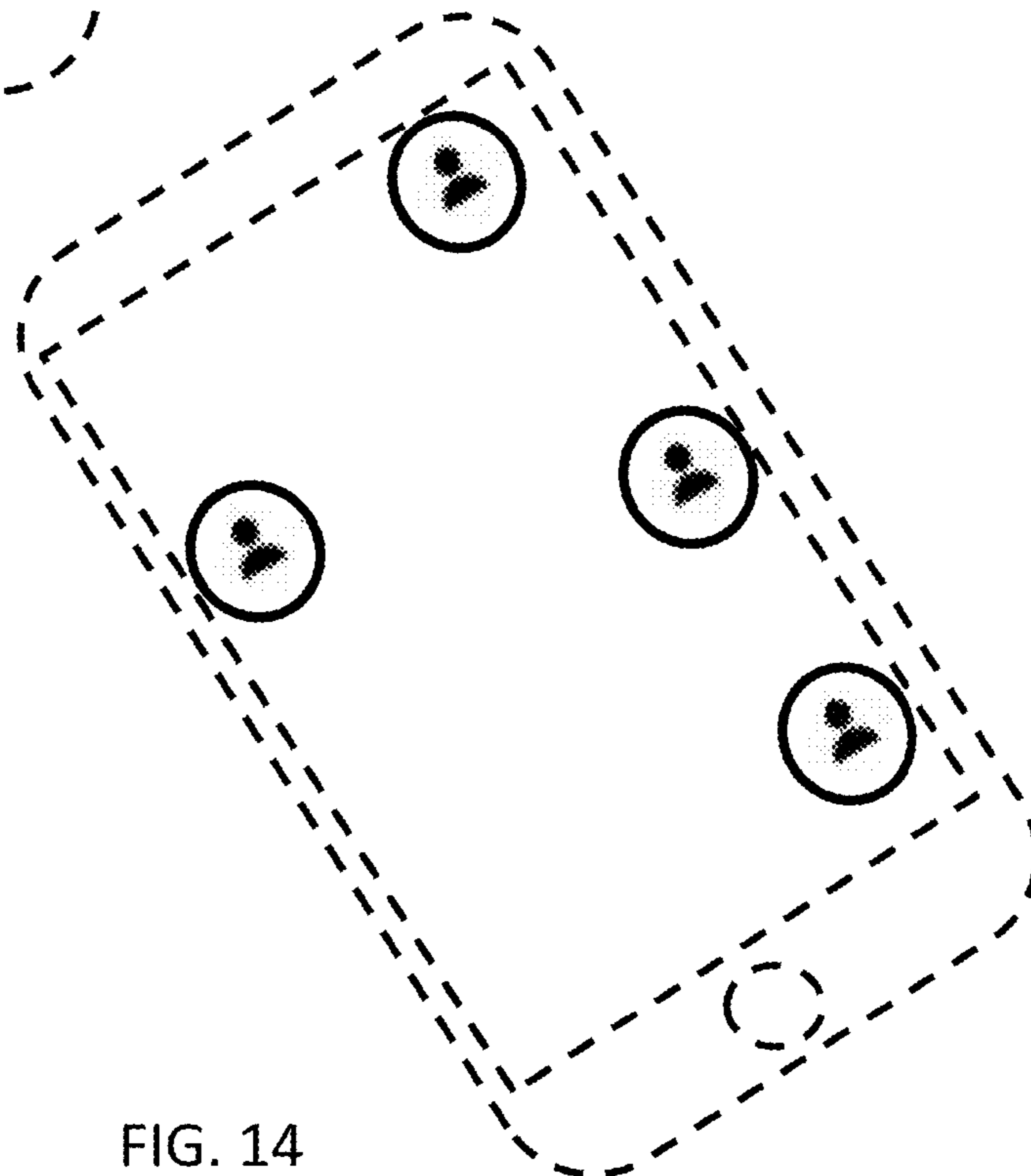


FIG. 14

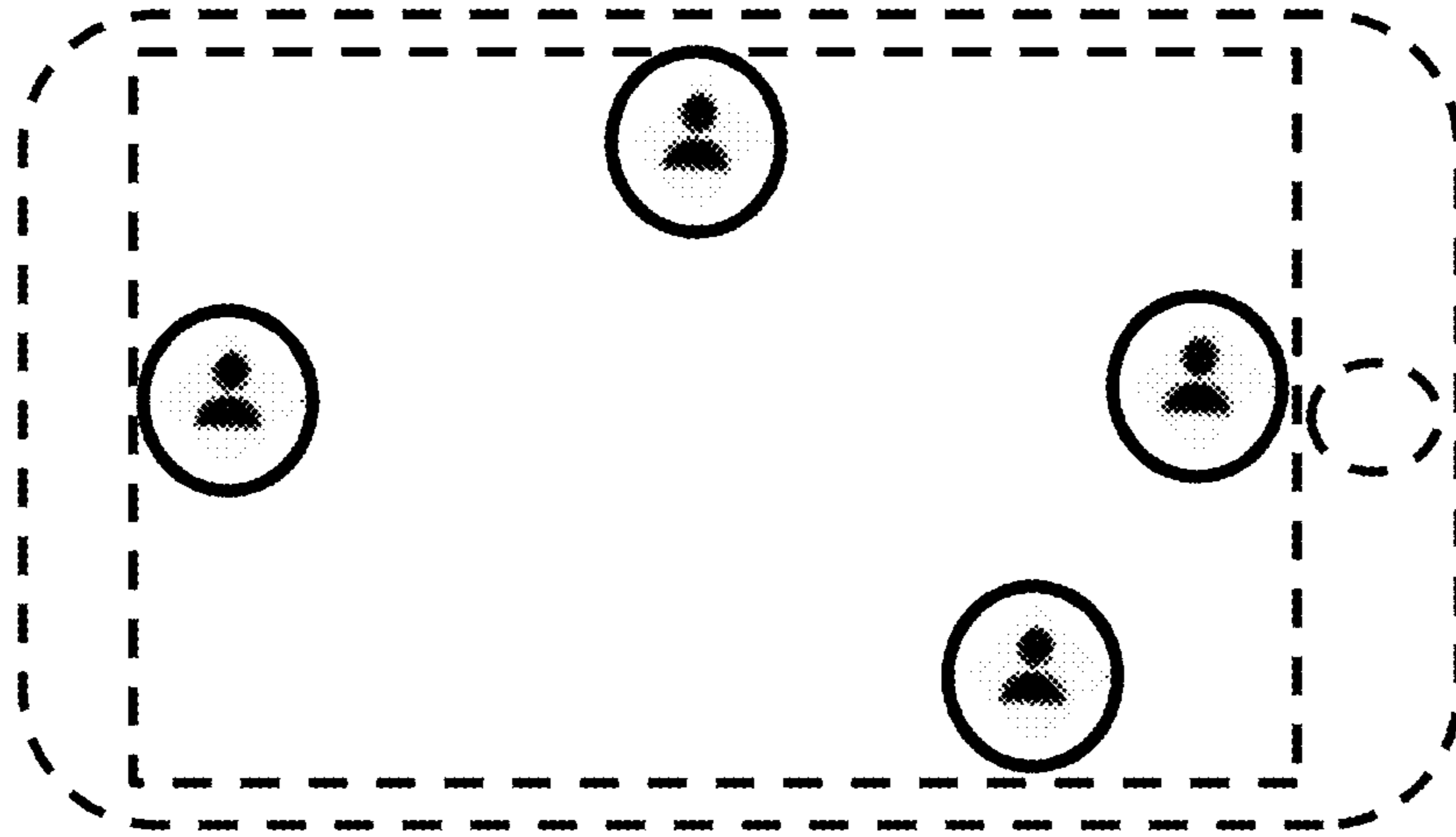


FIG. 15

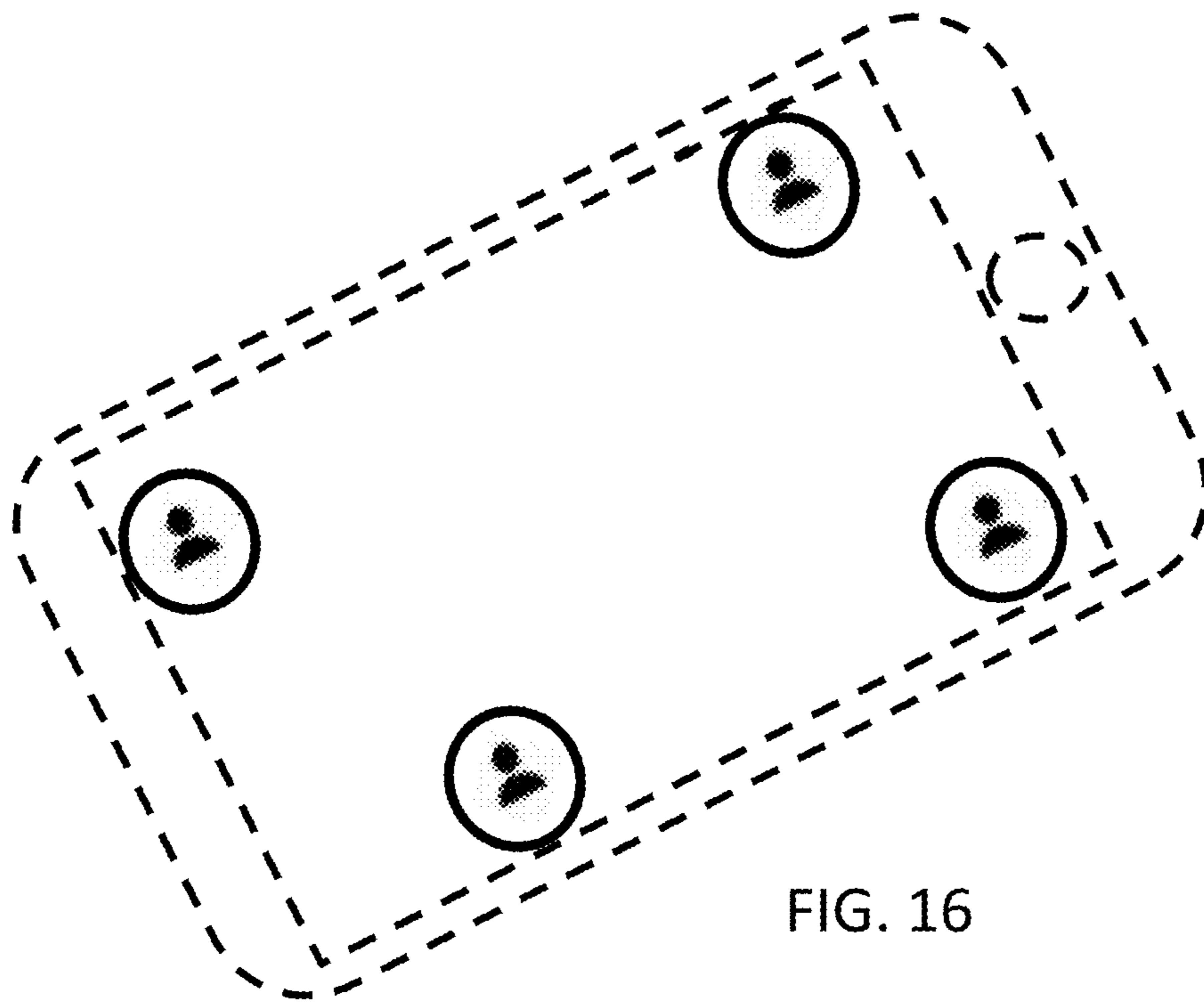


FIG. 16