



US00D771683S

(12) **United States Design Patent** (10) **Patent No.:** **US D771,683 S**  
**Sakuma** (45) **Date of Patent:** **\*\* Nov. 15, 2016**

(54) **DIGITAL-CAMERA DISPLAY SCREEN WITH GRAPHICAL USER INTERFACE**

(71) Applicant: **FUJIFILM CORPORATION**, Tokyo (JP)

(72) Inventor: **Nanae Sakuma**, Tokyo (JP)

(73) Assignee: **FUJIFILM CORPORATION**, Tokyo (JP)

(\*\*) Term: **14 Years**

(21) Appl. No.: **29/446,058**

(22) Filed: **Feb. 20, 2013**

(30) **Foreign Application Priority Data**

Aug. 22, 2012 (JP) ..... 2012-020051

(51) **LOC (10) Cl.** ..... **14-04**

(52) **U.S. Cl.**  
USPC ..... **D14/487**

(58) **Field of Classification Search**  
USPC ..... D14/485-495; 715/700-867, 961-978  
CPC ..... G06F 3/04847; G06F 17/211; G06F 3/0481; G06F 9/446; G06F 9/4443; G09B 21/003; G09B 21/007  
See application file for complete search history.

(56) **References Cited**

**U.S. PATENT DOCUMENTS**

D426,209 S *	6/2000	Hodgson	.....	D14/487
D454,574 S *	3/2002	Wasko et al.	.....	D14/487
D499,740 S *	12/2004	Ombao et al.	.....	D14/487
D521,521 S *	5/2006	Jewitt et al.	.....	D14/487
7,117,432 B1 *	10/2006	Shanahan et al.	.....	715/210
D539,809 S *	4/2007	Totten et al.	.....	D14/487
D540,342 S *	4/2007	Cummins et al.	.....	D14/487
D554,140 S *	10/2007	Armendariz	.....	D14/487
D585,453 S *	1/2009	Chen et al.	.....	D14/485
D596,646 S *	7/2009	Wani	.....	D14/488
D604,308 S *	11/2009	Takano	.....	D14/486

D614,197 S *	4/2010	Casagrande	.....	D14/487
D656,948 S *	4/2012	Knudsen et al.	.....	D14/487
8,375,118 B2 *	2/2013	Hao et al.	.....	709/223
8,405,653 B1 *	3/2013	Davidson	.....	345/419
D715,828 S *	10/2014	Aoshima	.....	D14/488
2010/0031157 A1 *	2/2010	Neer et al.	.....	715/738
2012/0173978 A1 *	7/2012	Lee et al.	.....	715/716

\* cited by examiner

*Primary Examiner* — Ian Simmons

*Assistant Examiner* — Shannon Morgan

(74) *Attorney, Agent, or Firm* — Jean C. Edwards, Esq.;  
Edwards Neils LLC

(57) **CLAIM**

The ornamental design for a digital-camera display screen with graphical user interface, as shown and described.

**DESCRIPTION**

The patent or application file contains at least one drawing executed in color. Copies of this patent or patent application publication with color drawing(s) will be provided by the Office upon request and payment of the necessary fee.

FIG. 1 is a rear view of a digital-camera display screen with graphical user interface showing my new design;

FIG. 2 is a partially enlarged image of the image of FIG. 1;

FIG. 3 is another rear view of the digital-camera display screen with graphical user interface shown in FIG. 1 showing my new design;

FIG. 4 is a front view thereof;

FIG. 5 is a left side view thereof;

FIG. 6 is a right side view thereof;

FIG. 7 is a top plan view thereof; and,

FIG. 8 is a bottom view thereof.

The dash-dash broken lines in the figures showing the digital camera is for the purpose of illustrating environment and form no part of the claimed design. The dash-dot broken lines of the digital-camera display screen in the figures define the bounds of the claimed design and form no part thereof.

**1 Claim, 7 Drawing Sheets**  
**(3 of 7 Drawing Sheet(s) Filed in Color)**

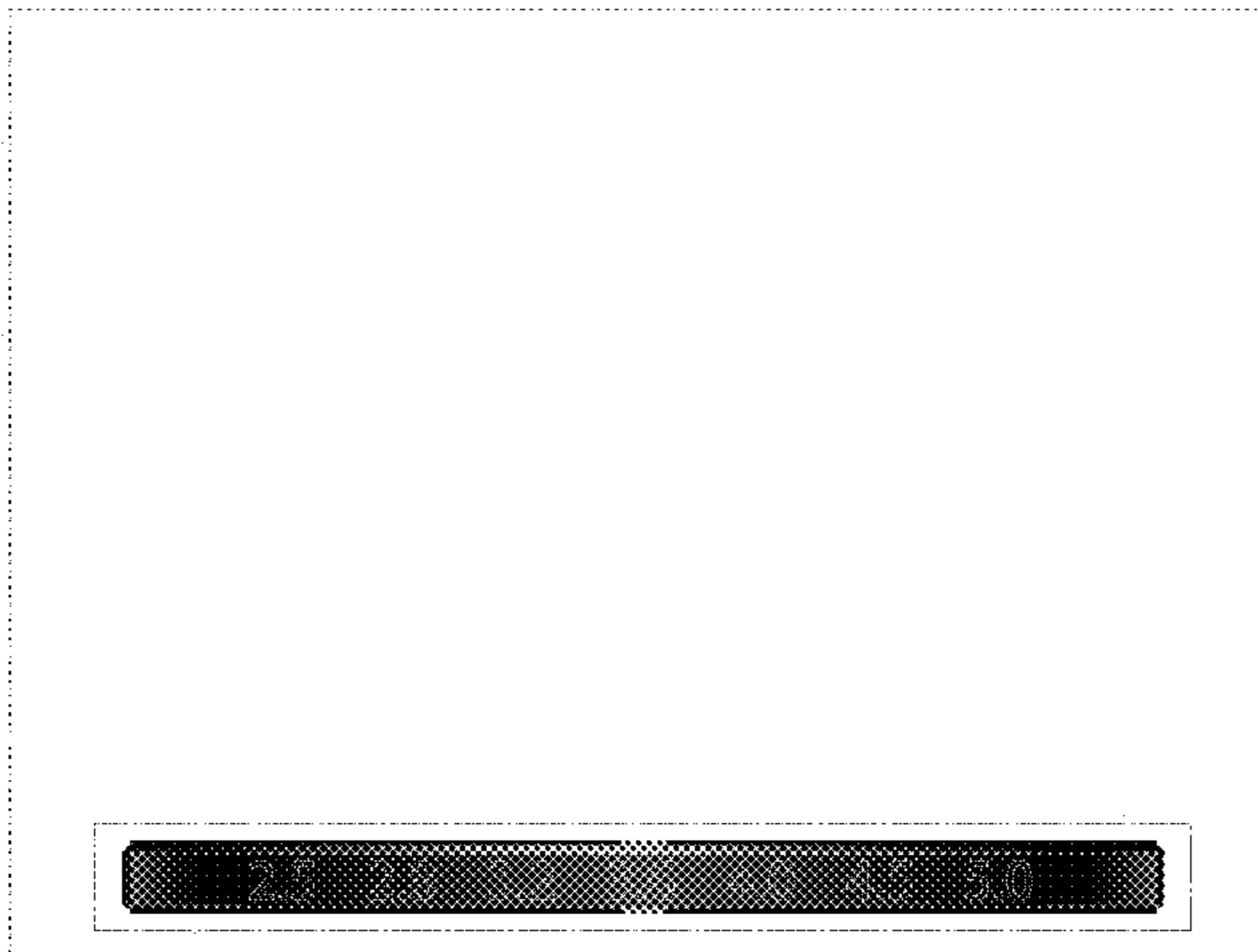


Fig. 1

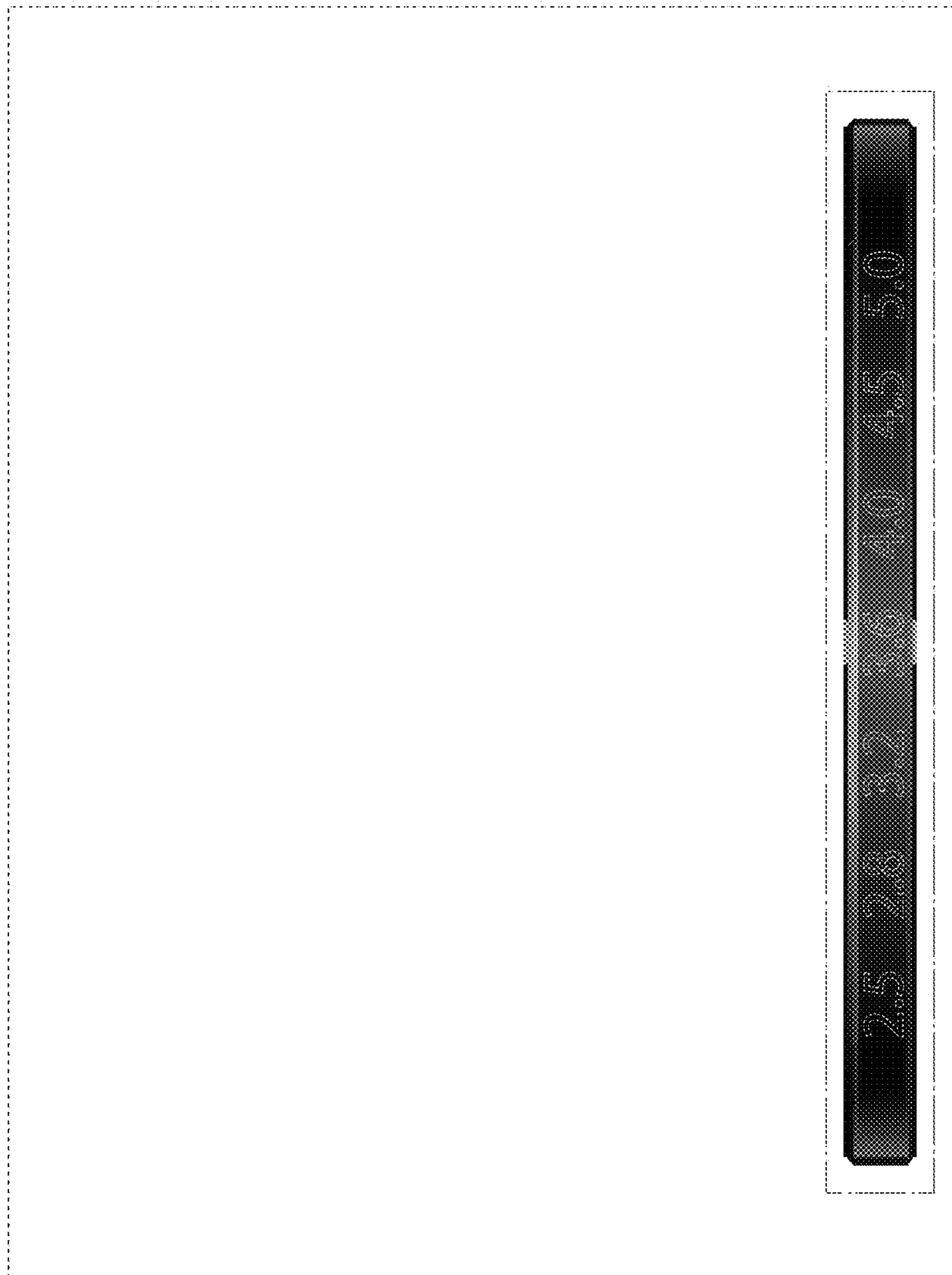


Fig. 2

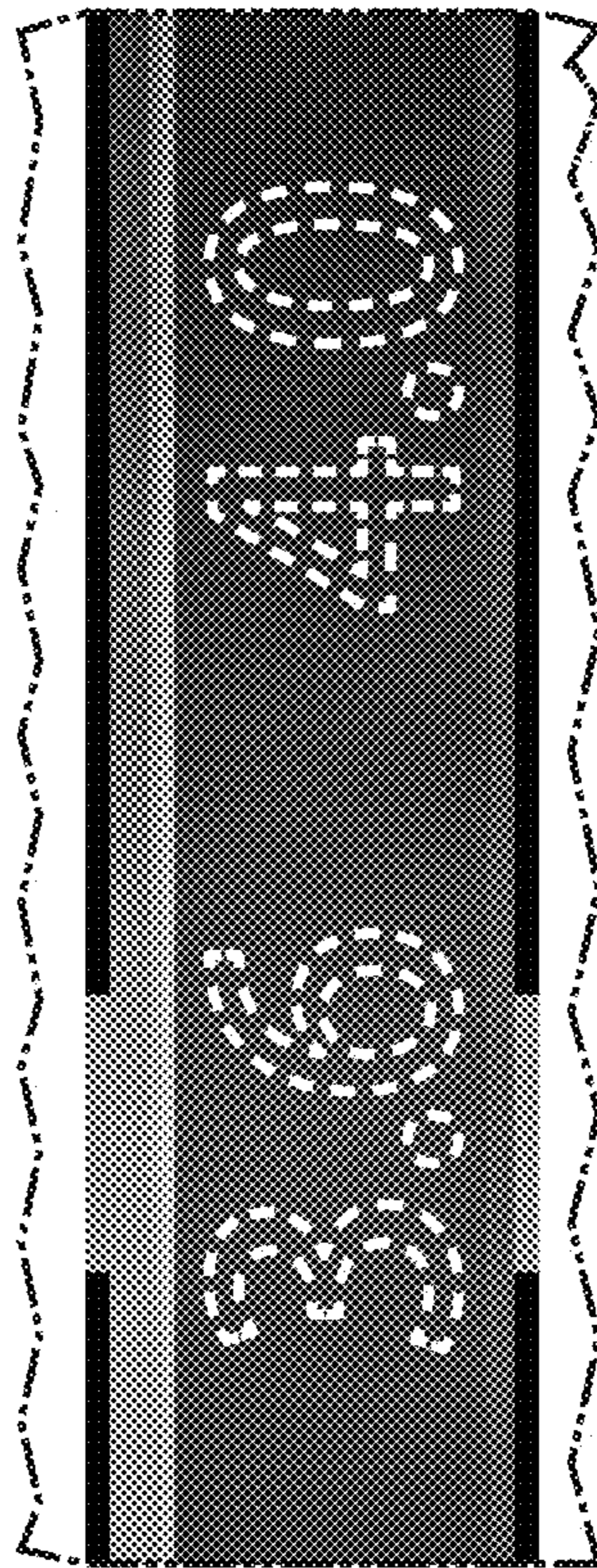
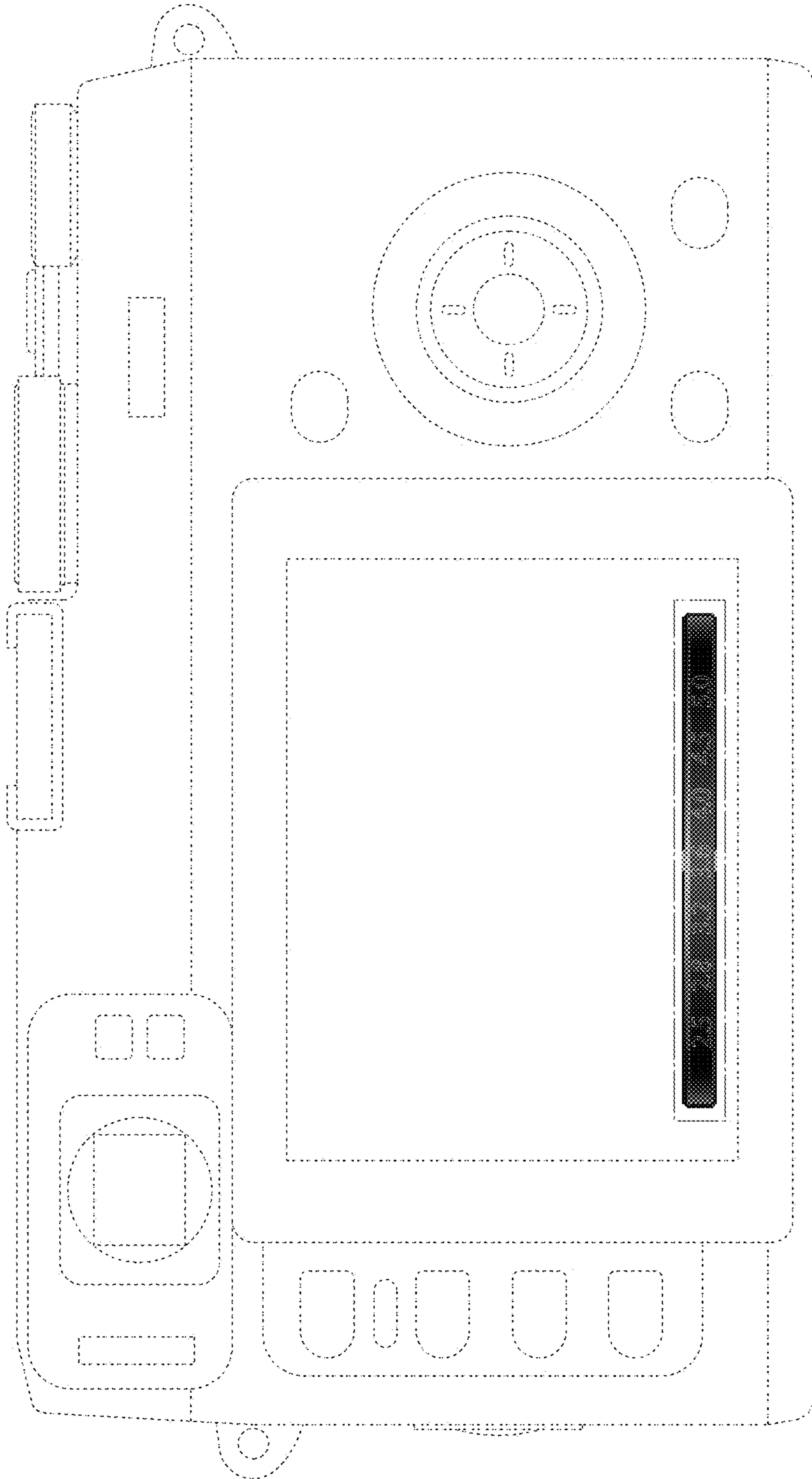


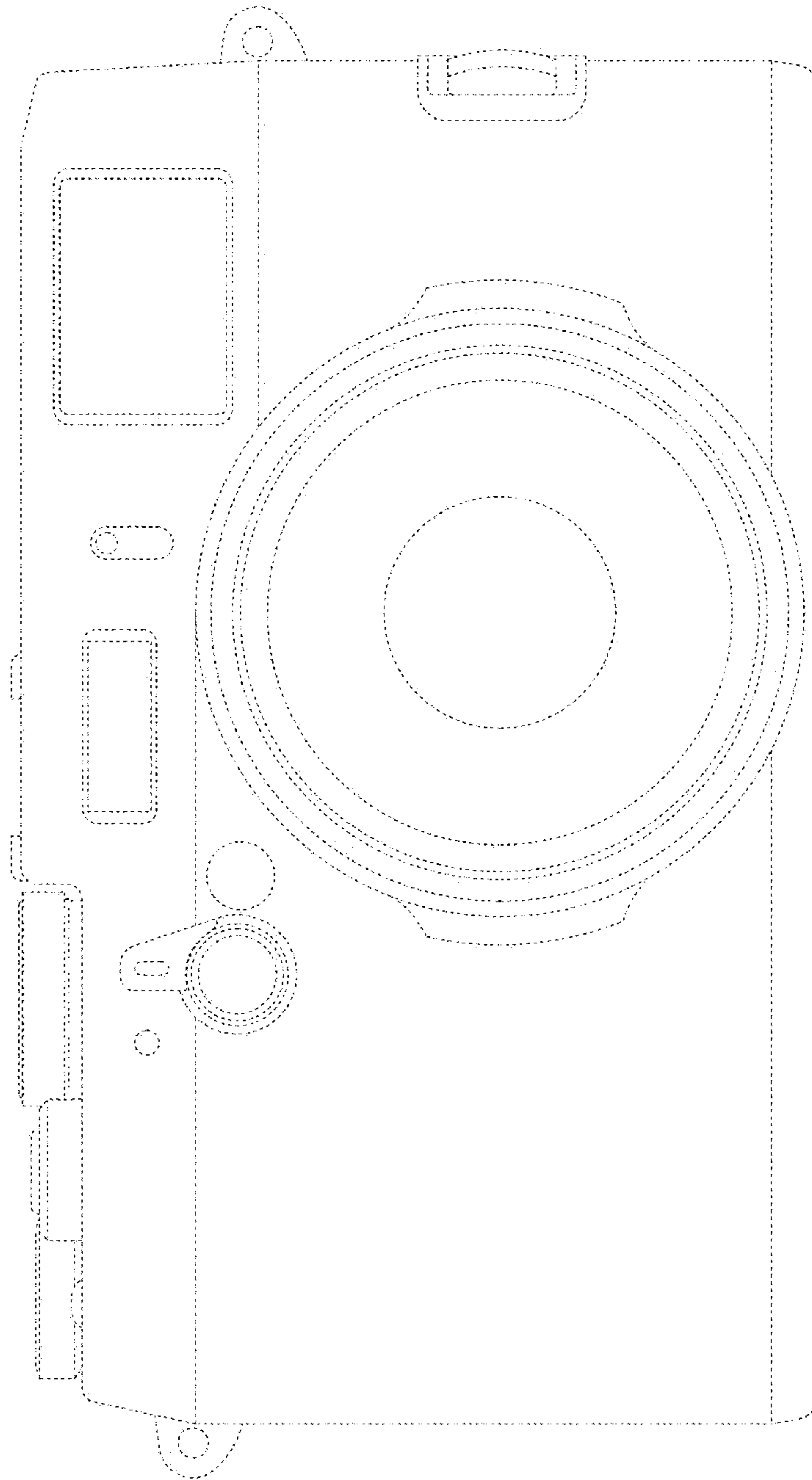


Fig. 3



Patent Application of Nanae SAKUMA  
Title: DISPLAY SCREEN OF DIGITAL CAMERA  
Filed: February 20, 2013  
Attorney Customer Number 13155  
Attorney Docket No. 76770.0106  
Page 4 of 7

Fig. 4



Patent Application of Nanae SAKUMA  
Title: DISPLAY SCREEN OF DIGITAL CAMERA  
Filed: February 20, 2013  
Attorney Customer Number 13155  
Attorney Docket No. 76770.0106  
Page 5 of 7

Fig. 6

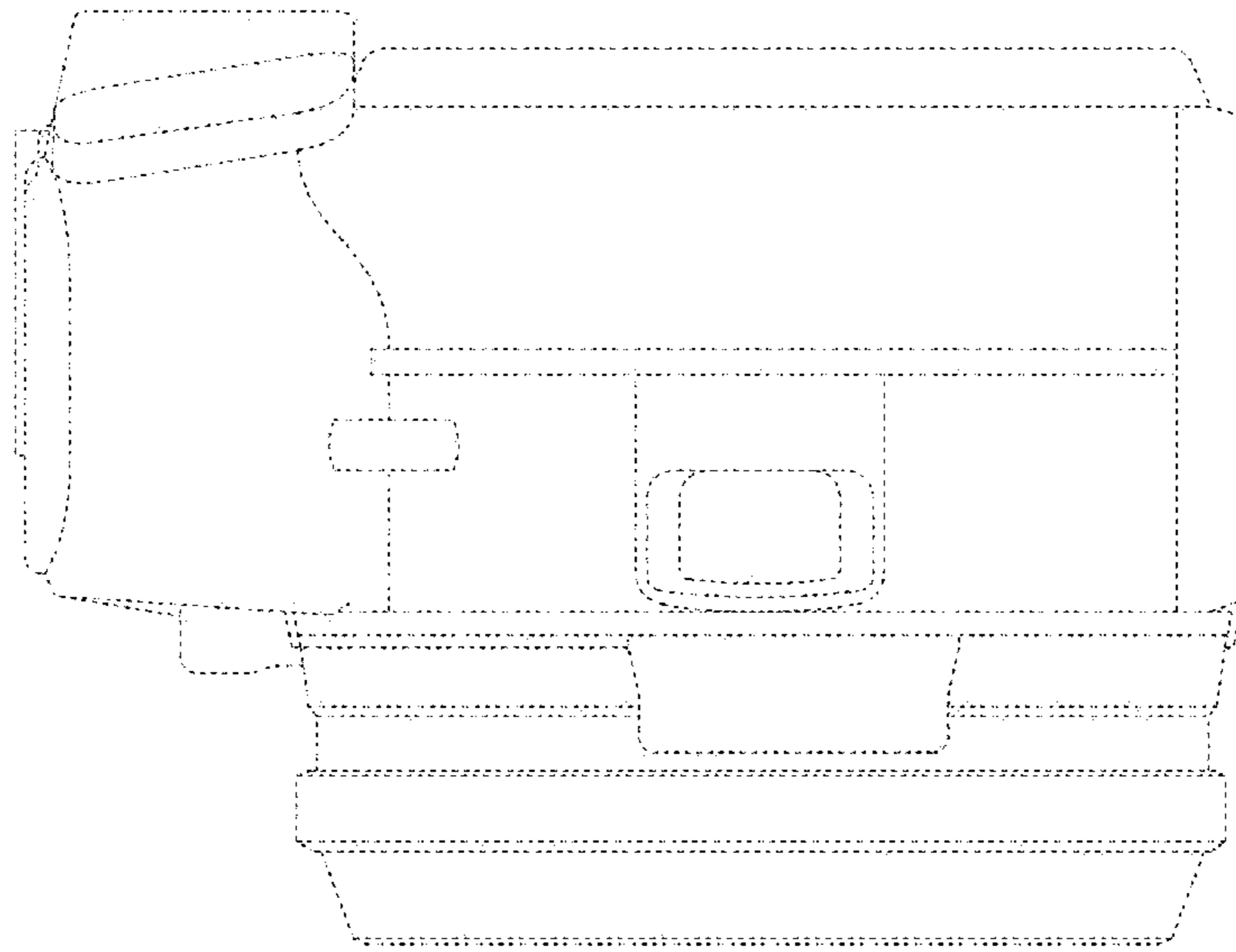
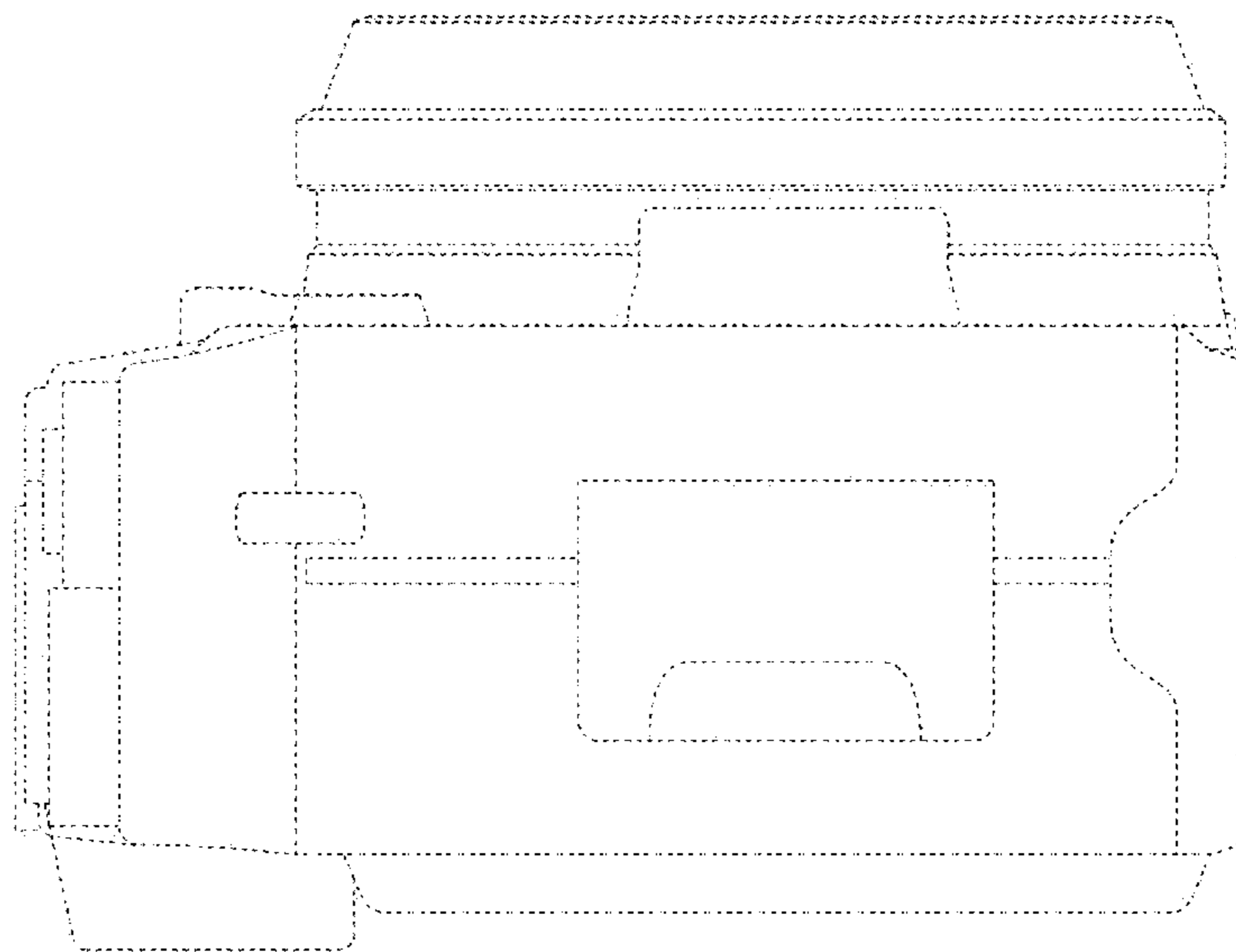
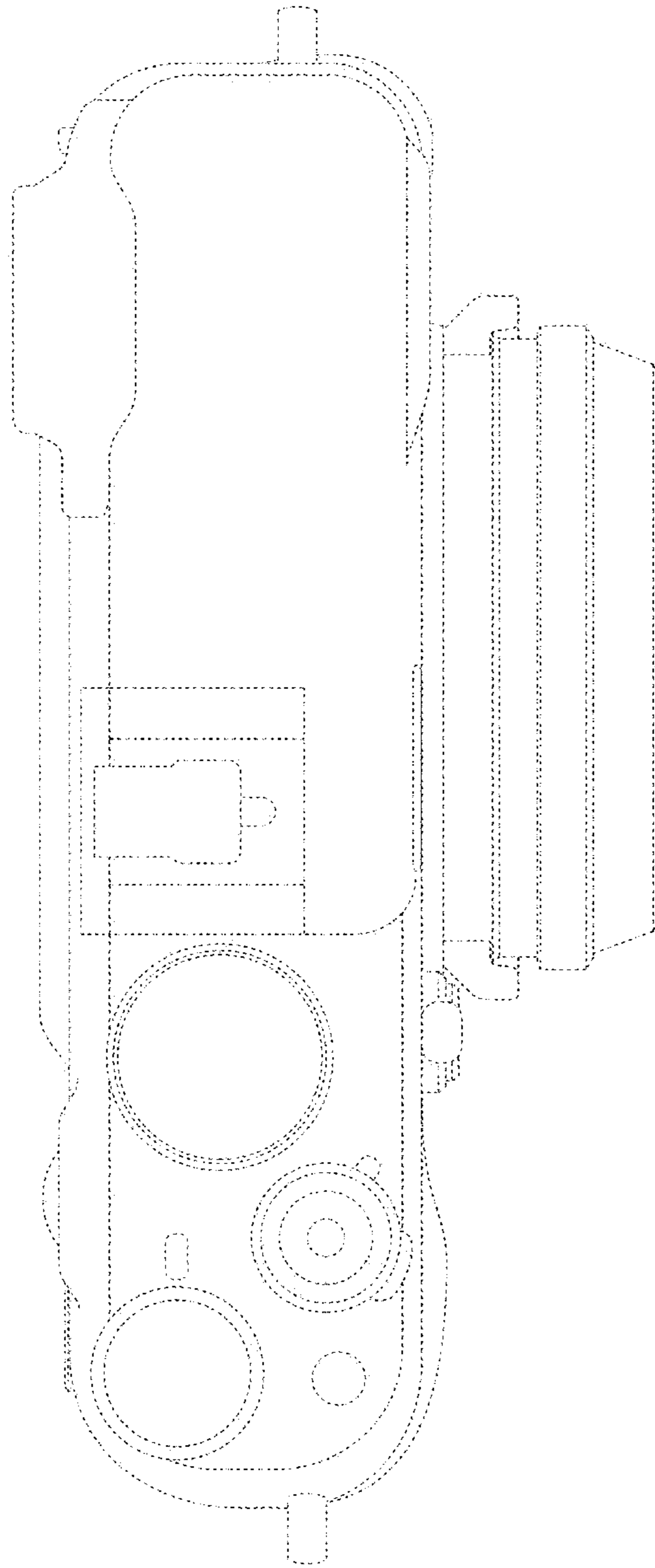


Fig. 5



Patent Application of Nanae SAKUMA  
Title: DISPLAY SCREEN OF DIGITAL CAMERA  
Filed: February 20, 2013  
Attorney Customer Number 13155  
Attorney Docket No. 76770.0106  
Page 6 of 7

Fig. 7



Patent Application of Nanae SAKUMA  
Title: DISPLAY SCREEN OF DIGITAL CAMERA  
Filed: February 20, 2013  
Attorney Customer Number 13155  
Attorney Docket No. 76770.0106  
Page 7 of 7

Fig. 8

