



US00D771639S

(12) **United States Design Patent** (10) **Patent No.:** **US D771,639 S**
Dellinger et al. (45) **Date of Patent:** **** Nov. 15, 2016**

(54) **DISPLAY SCREEN OR PORTION THEREOF WITH GRAPHICAL USER INTERFACE**

(75) Inventors: **Richard Dellinger**, San Jose, CA (US);
Chanaka Karunamuni, Cupertino, CA (US)

(73) Assignee: **Apple Inc.**, Cupertino, CA (US)

(**) Term: **14 Years**

(21) Appl. No.: **29/432,148**

(22) Filed: **Sep. 13, 2012**

(51) **LOC (10) Cl.** **14-04**

(52) **U.S. Cl.**
USPC **D14/485**

(58) **Field of Classification Search**
USPC D14/485-495; D20/22, 23, 24, 29, 30;
715/700, 701, 702, 703, 704, 705, 707,
715/708, 709, 712, 716, 717, 719, 720, 721,
715/722, 723, 726, 730, 732, 739, 756, 763,
715/764, 781, 783, 838, 861, 864, 867, 961
See application file for complete search history.

(56) **References Cited**

U.S. PATENT DOCUMENTS

6,232,970	B1 *	5/2001	Bodnar et al.	715/708
D496,667	S	9/2004	Hoglund	
D536,342	S	2/2007	Stabb	
7,479,949	B2 *	1/2009	Jobs et al.	345/173
D593,110	S	5/2009	Danton	
D595,726	S *	7/2009	Akimoto	D14/485
D621,849	S *	8/2010	Anzures et al.	D14/488
D624,928	S *	10/2010	Agnetta et al.	D14/487
7,844,915	B2 *	11/2010	Platzer et al.	715/781
D633,517	S	3/2011	Weir et al.	
D641,372	S *	7/2011	Gardner et al.	D14/486
D642,589	S *	8/2011	Kozlowski et al.	D14/487
D643,438	S *	8/2011	Gardner et al.	D14/486
D644,662	S *	9/2011	Gardner et al.	D14/495
D657,377	S *	4/2012	Vance et al.	D14/486
D675,639	S	2/2013	Anzures et al.	

8,531,465	B2 *	9/2013	Platzer et al.	345/473
8,539,382	B2	9/2013	Lyon et al.	
D700,205	S *	2/2014	Hartley et al.	D14/487
D701,517	S *	3/2014	Thornton et al.	D14/486

(Continued)

OTHER PUBLICATIONS

iOS 5 Easter Egg: Enable Hidden Panorama Feature, [online],
uploaded on Nov. 10, 2011, retrieved on Sep. 18, 2014. Retrieved
from, <URL: <http://www.youtube.com/watch?v=D6LGHJp08eg>>,
3 pages.*

(Continued)

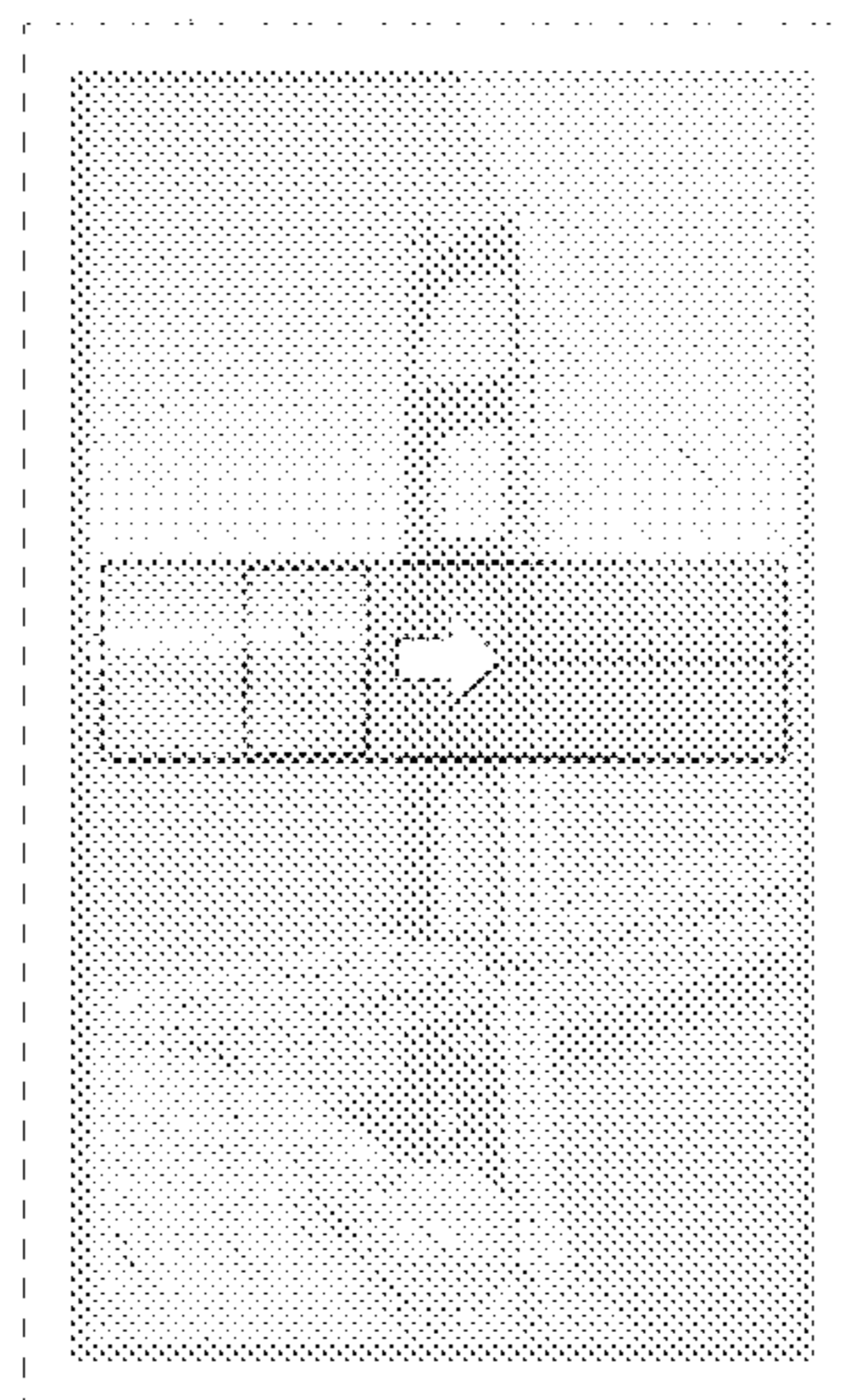
Primary Examiner — Ian Simmons
Assistant Examiner — Shannon Morgan
(74) *Attorney, Agent, or Firm* — Sterne, Kessler,
Goldstein & Fox P.L.L.C.

(57) **CLAIM**
The ornamental design for a display screen or portion
thereof with graphical user interface, as shown and
described.

DESCRIPTION

The patent or application file contains at least one drawing
executed in color. Copies of this patent or patent application
publication with color drawing(s) will be provided by the
Office upon request and payment of the necessary fee.
FIG. 1 is a front view of a display screen or portion thereof
with graphical user interface showing our new design; and,
FIG. 2 is a front view of another embodiment thereof.
The broken lines in FIGS. 1 and 2 show a display screen or
portion thereof, and form no part of the claimed design. The
faded portions in FIGS. 1 and 2 form no part of the claimed
design. The claimed areas are the outline of the horizontal
rectangle, the outline of the vertical rectangle, the outline of
the arrow, and the horizontal line.

1 Claim, 2 Drawing Sheets
(1 of 2 Drawing Sheet(s) Filed in Color)



(56)

References Cited

U.S. PATENT DOCUMENTS

8,683,336 B2 * 3/2014 Rekimoto 715/717
 8,705,943 B2 * 4/2014 Cho 386/282
 8,717,317 B2 * 5/2014 Akiyoshi 345/173
 8,760,464 B2 * 6/2014 Bryant et al. 345/594
 2002/0113824 A1 8/2002 Myers, Jr.
 2003/0169298 A1 9/2003 Ording
 2006/0143657 A1 6/2006 Song
 2006/0265657 A1 * 11/2006 Gilley 715/730
 2007/0152984 A1 7/2007 Ording et al.
 2008/0168404 A1 7/2008 Ording
 2008/0211902 A1 * 9/2008 Ayaki 348/36
 2008/0220752 A1 9/2008 Forstall et al.
 2009/0106679 A1 4/2009 Anzures et al.
 2010/0235737 A1 * 9/2010 Koh 715/704
 2012/0105577 A1 * 5/2012 Sakata 348/36
 2012/0216139 A1 8/2012 Ording et al.
 2012/0257006 A1 * 10/2012 Matsumoto et al. 348/36
 2012/0257007 A1 * 10/2012 Matsumoto et al. 348/36
 2012/0311499 A1 * 12/2012 Dellinger et al. 715/835
 2013/0021254 A1 * 1/2013 Lu et al. 345/168
 2013/0050403 A1 * 2/2013 Jang 348/36
 2013/0055119 A1 2/2013 Luong
 2013/0141524 A1 * 6/2013 Karunamuni et al. 348/38
 2013/0191910 A1 * 7/2013 Dellinger et al. 726/19
 2013/0191911 A1 * 7/2013 Dellinger et al. 726/19

2013/0332836 A1 * 12/2013 Cho 715/723
 2014/0115477 A1 * 4/2014 Pendergast et al. 715/723
 2014/0192247 A1 * 7/2014 Cheong et al. 348/333.11
 2014/0195916 A1 * 7/2014 Kwon et al. 715/722

OTHER PUBLICATIONS

Apple's new iOS 6 Camera app makes Panorama capture easy, [online], published on Sep. 17, 2012, retrieved on Aug. 25, 2014. Retrieved from, <URL: http://appleinsider.com/articles/12/09/17/apples_new_ios_6_camera_app_makes_panorama_capture_easy>, 1 page.*
 New Panoramic Mode Not Just for iPhone 5, [online], published on Sep. 14, 2012, retrieved on Aug. 25, 2014. Retrieved from, <URL: <http://news.discovery.com/tech/new-panoramic-mode-not-just-for-iphone-5-120914.htm>>, 1 page.*
 Samsung MV800 MultiView, [online], published on Sep. 1, 2011, retrieved on Aug. 26, 2014. Retrieved from, <URL: <http://www.letsgodigital.org/en/30497/samsung-mv800/>>, 1 page.*
 360 Panorama—Wayback Machine, [online], captured on May 21, 2011, retrieved on Aug. 26, 2014 and Sep. 19, 2014. Retrieved from, <URL: http://web.archive.org/web/20111102080258/http://occipital.com/static/newproduct/img/phone-big-start_40.png>, 2 pages.*
 U.S. Appl. No. 29/415,034, filed Mar. 6, 2012 (Not Published).
 U.S. Appl. No. 29/449,304, filed Mar. 14, 2013 (Not Published).

* cited by examiner

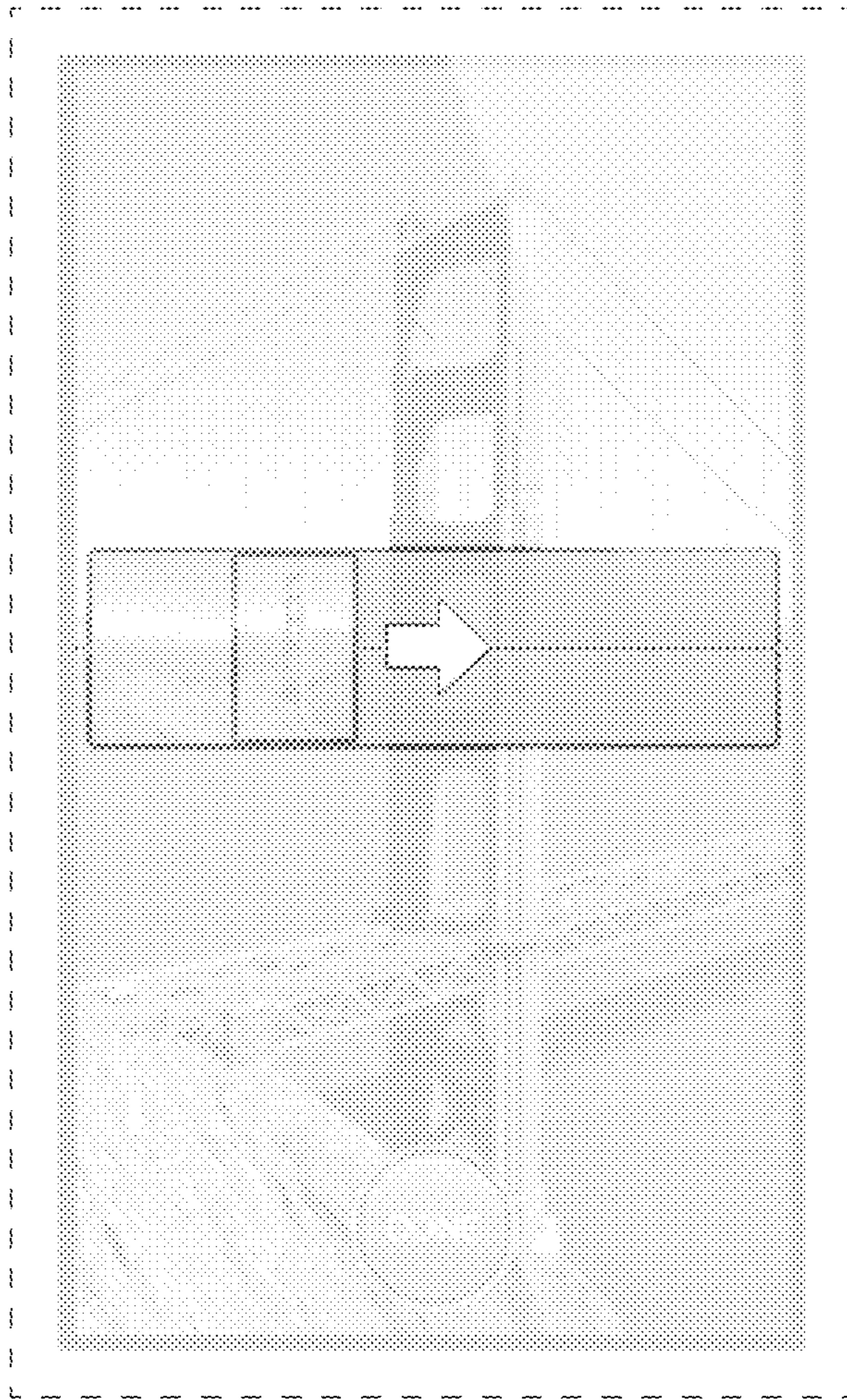


FIG. 1

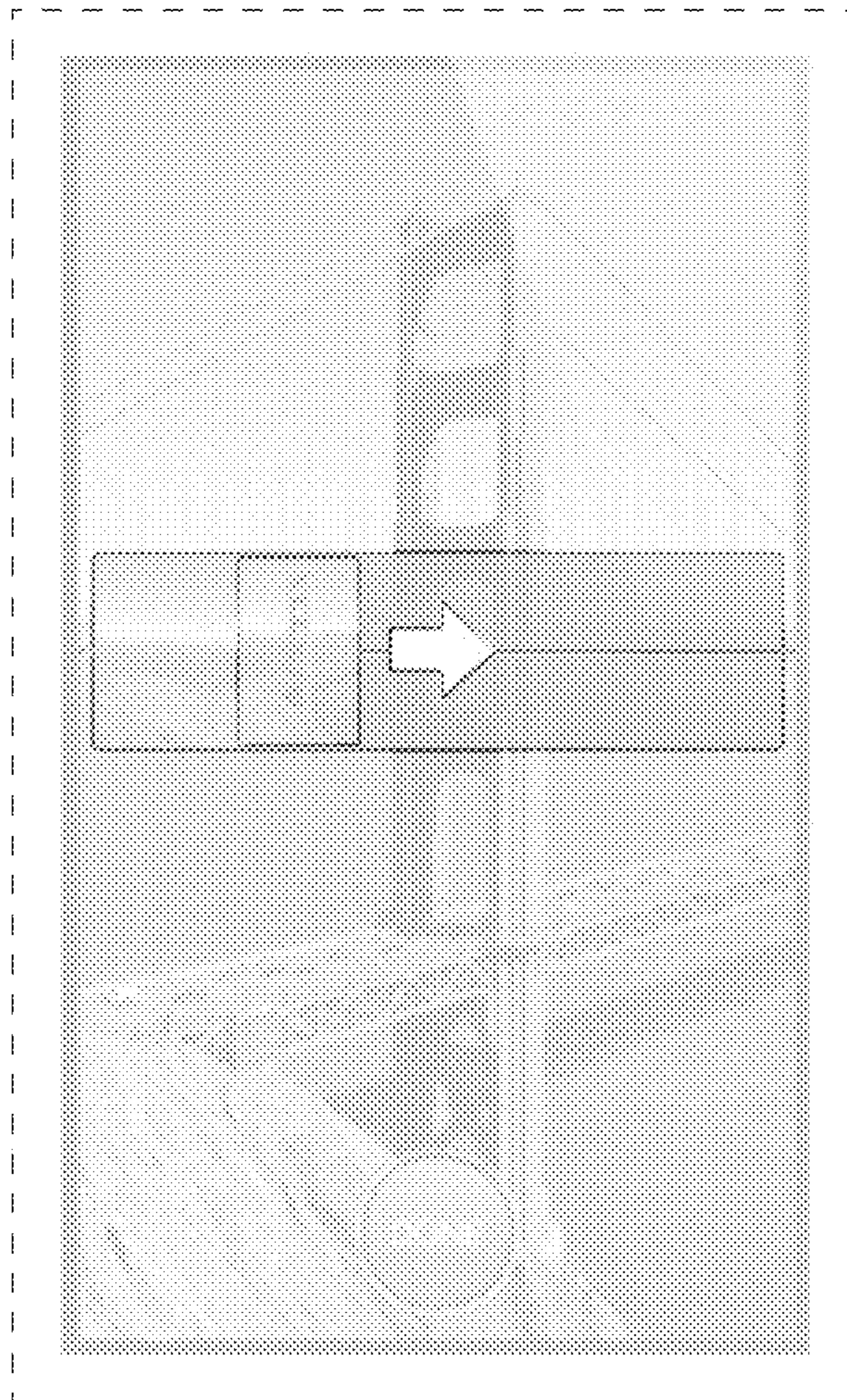


FIG. 2