



US00D771636S

(12) **United States Design Patent**
Shim

(10) **Patent No.:** **US D771,636 S**

(45) **Date of Patent:** **** Nov. 15, 2016**

- (54) **USB (UNIVERSAL SERIAL BUS)**
- (71) Applicant: **SAMSUNG ELECTRONICS CO., LTD.**, Suwon-si (KR)
- (72) Inventor: **Hyung-Sup Shim**, Seoul (KR)
- (73) Assignee: **SAMSUNG ELECTRONICS CO., LTD.**, Suwon-si (KR)

| | | | | |
|-------------------|---------|---------|-------|-----------------------------|
| D706,278 S * | 6/2014 | Fukuoka | | D14/480.5 |
| D711,891 S * | 8/2014 | Emami | | D14/480.5 |
| 8,929,063 B2 * | 1/2015 | Emami | | H05K 5/0278 361/679.32 |
| D724,600 S * | 3/2015 | Hsieh | | D14/480.1 |
| D745,874 S * | 12/2015 | Huang | | D14/480.1 |
| D754,138 S * | 4/2016 | Otsuka | | D14/480.1 |
| D759,021 S * | 6/2016 | Shim | | D14/435.1 |
| D759,028 S * | 6/2016 | Emami | | D14/480.1 |
| 2014/0211407 A1 * | 7/2014 | Huang | | G06K 19/07732 361/679.32 |

(**) Term: **15 Years**

* cited by examiner

(21) Appl. No.: **29/529,018**

Primary Examiner — Angela J Lee

(22) Filed: **Jun. 3, 2015**

(74) *Attorney, Agent, or Firm* — Sughrue Mion, PLLC

(51) **LOC (10) Cl.** **14-03**

(57) **CLAIM**

(52) **U.S. Cl.**
USPC **D14/480.1**

I claim the ornamental design for USB, as shown and described.

(58) **Field of Classification Search**
USPC D14/435.1, 480.1–480.7, 411, 433, 436,
D14/484.1, 137, 155, 203.1–203.8, 240,
D14/242; D13/133, 154
CPC H05K 5/0278; G06K 19/07732
See application file for complete search history.

DESCRIPTION

(56) **References Cited**

U.S. PATENT DOCUMENTS

| | | | | |
|--------------|---------|------------|-------|-----------|
| D511,519 S * | 11/2005 | Bone | | D14/480.1 |
| D513,005 S * | 12/2005 | Kobayakawa | | D14/480.1 |
| D631,053 S * | 1/2011 | Bailey | | D10/70 |
| D670,711 S * | 11/2012 | Ma | | D14/480.1 |

FIG. 1 is a front perspective view of USB showing our new design;
FIG. 2 is a front view thereof;
FIG. 3 is a rear view thereof;
FIG. 4 is a left-side view thereof;
FIG. 5 is a right-side view thereof;
FIG. 6 is a top plan view thereof; and,
FIG. 7 is a bottom plan view thereof.
The broken lines are for environmental purposes only and form no part of the claimed design.

1 Claim, 5 Drawing Sheets

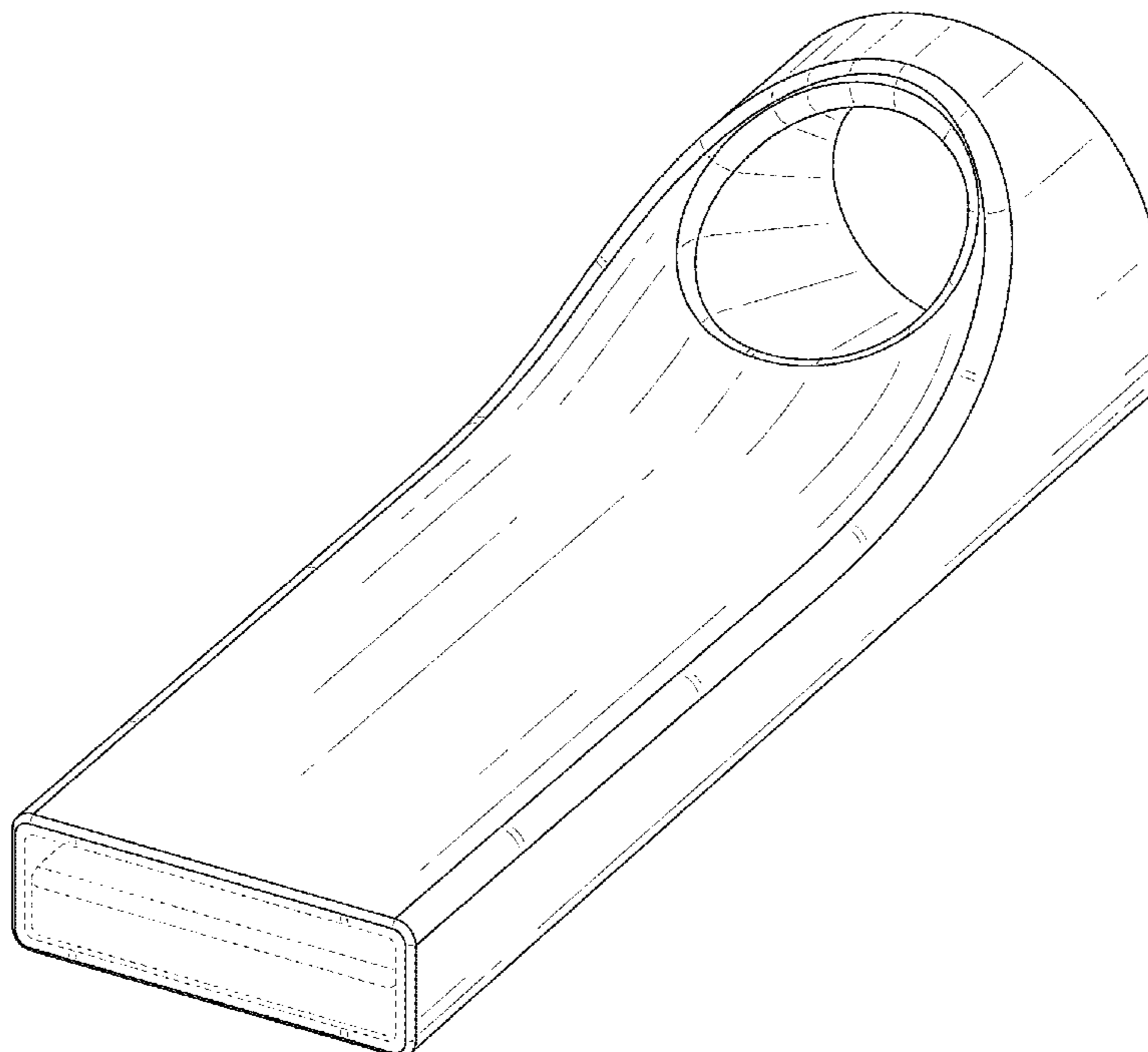


FIG. 1

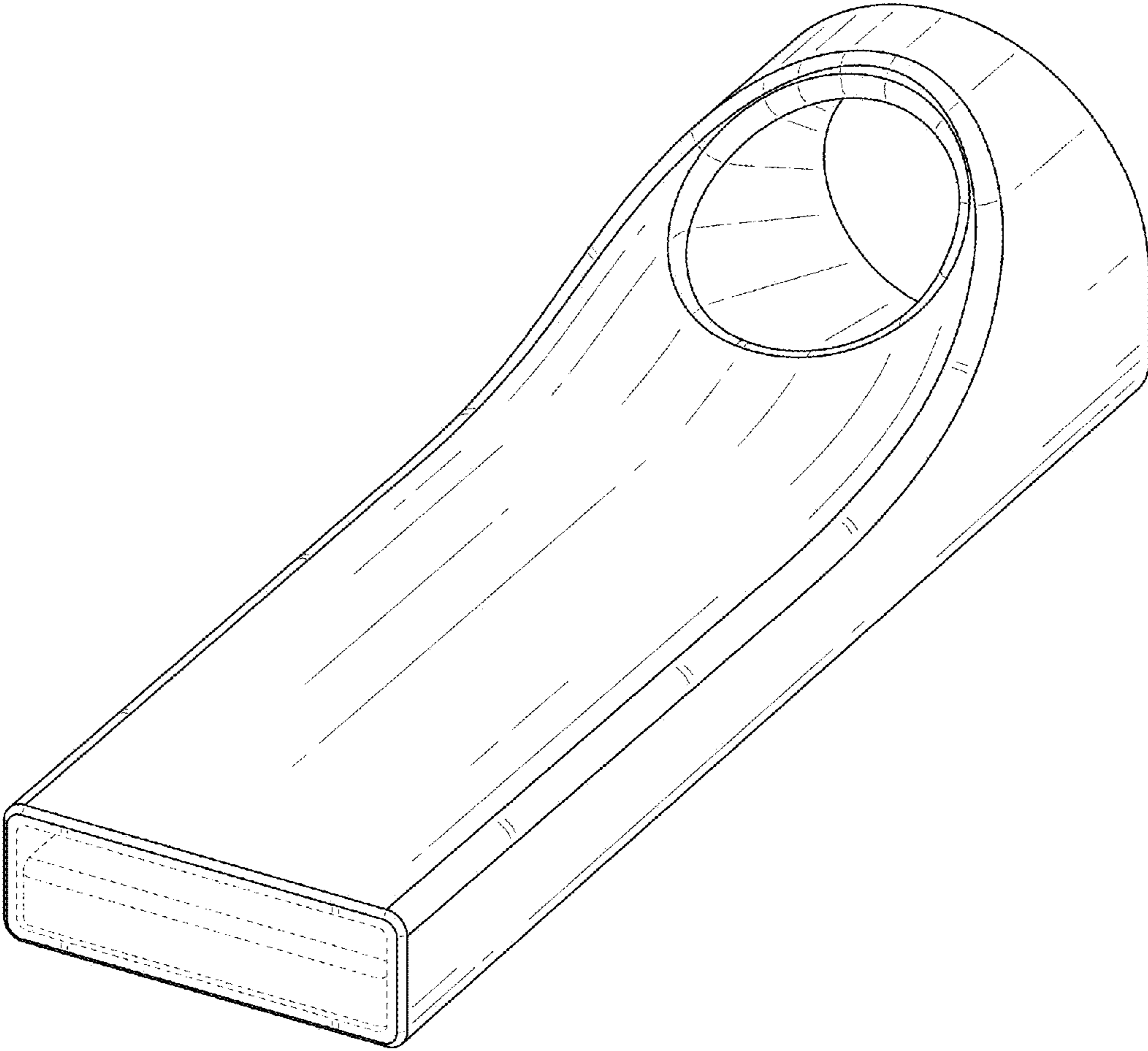


FIG. 2

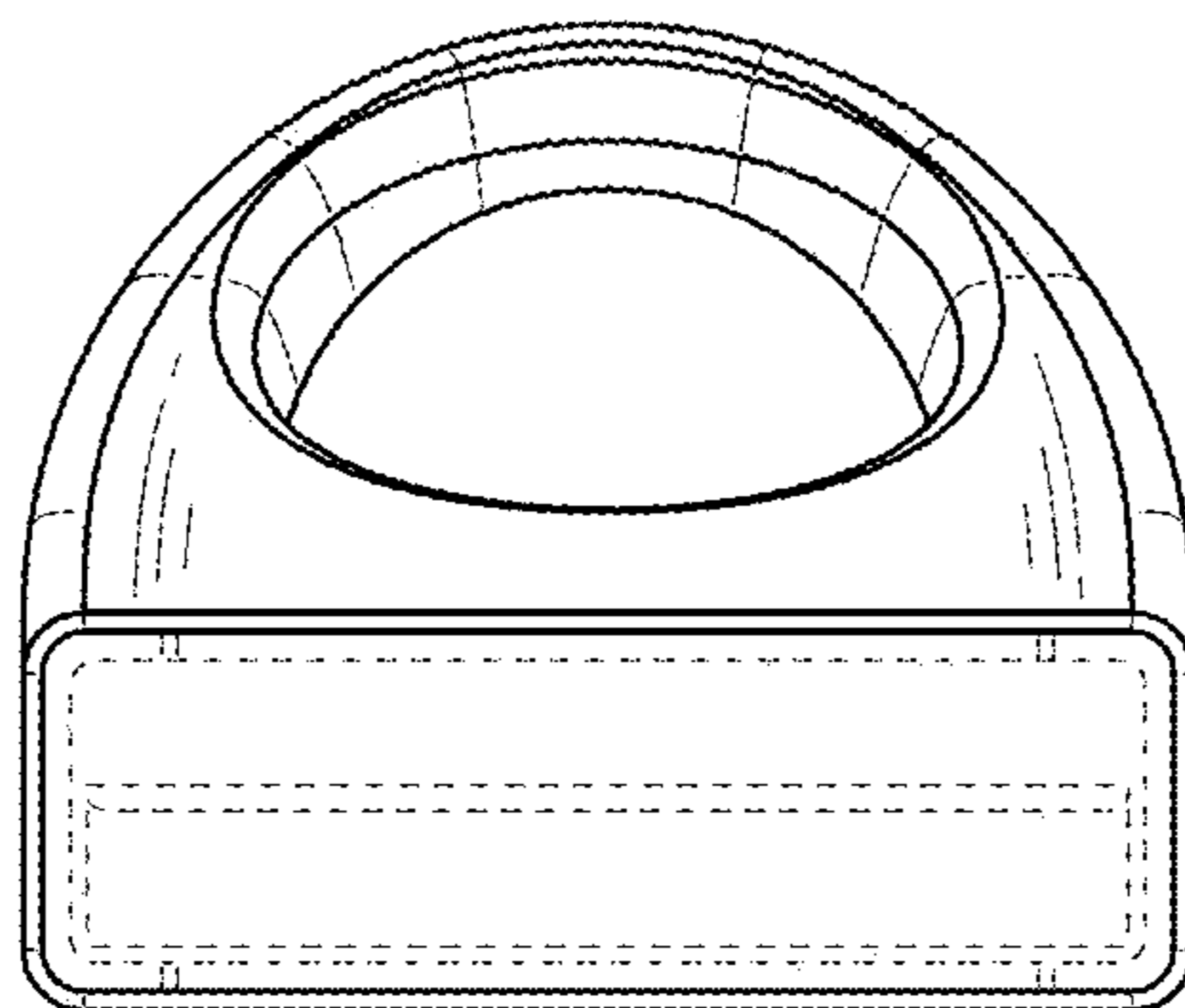


FIG. 3

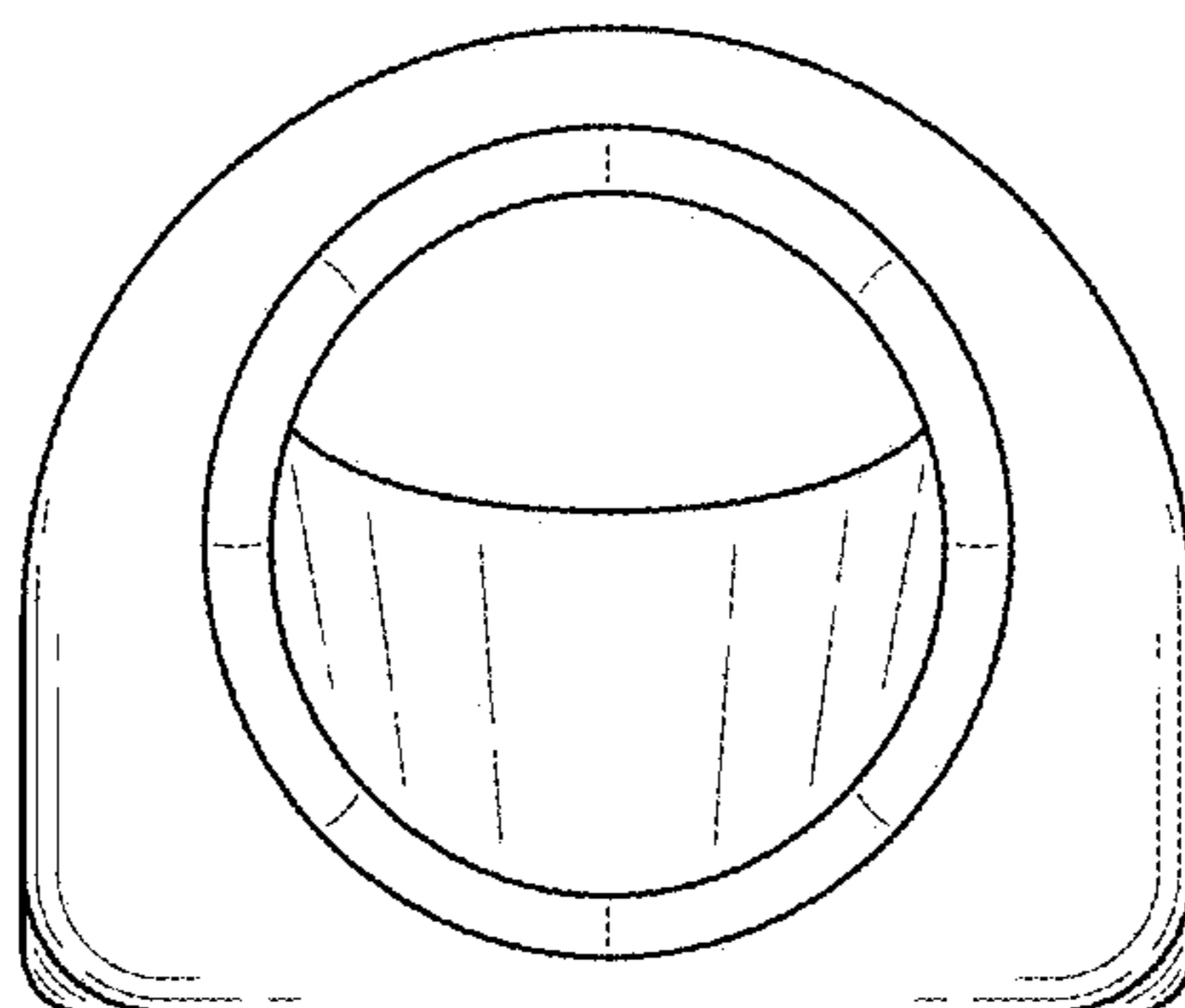


FIG. 4

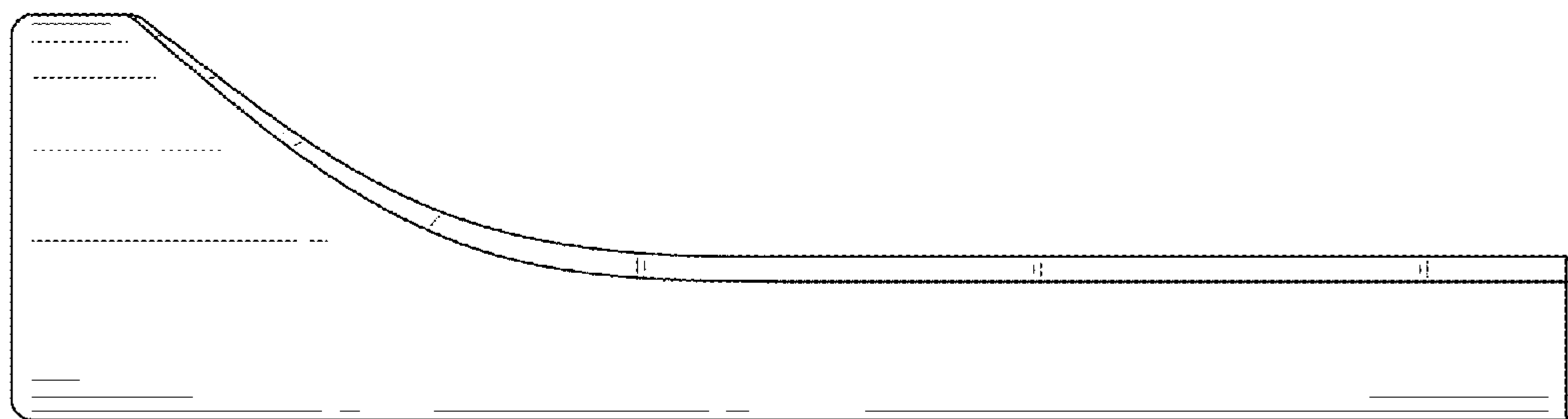


FIG. 5

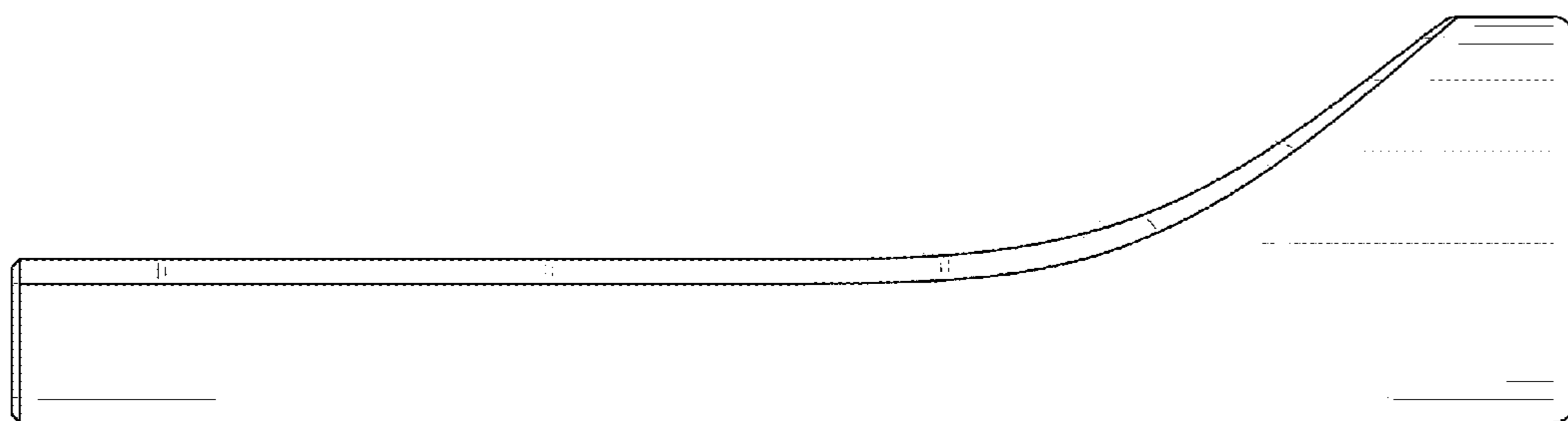


FIG. 6

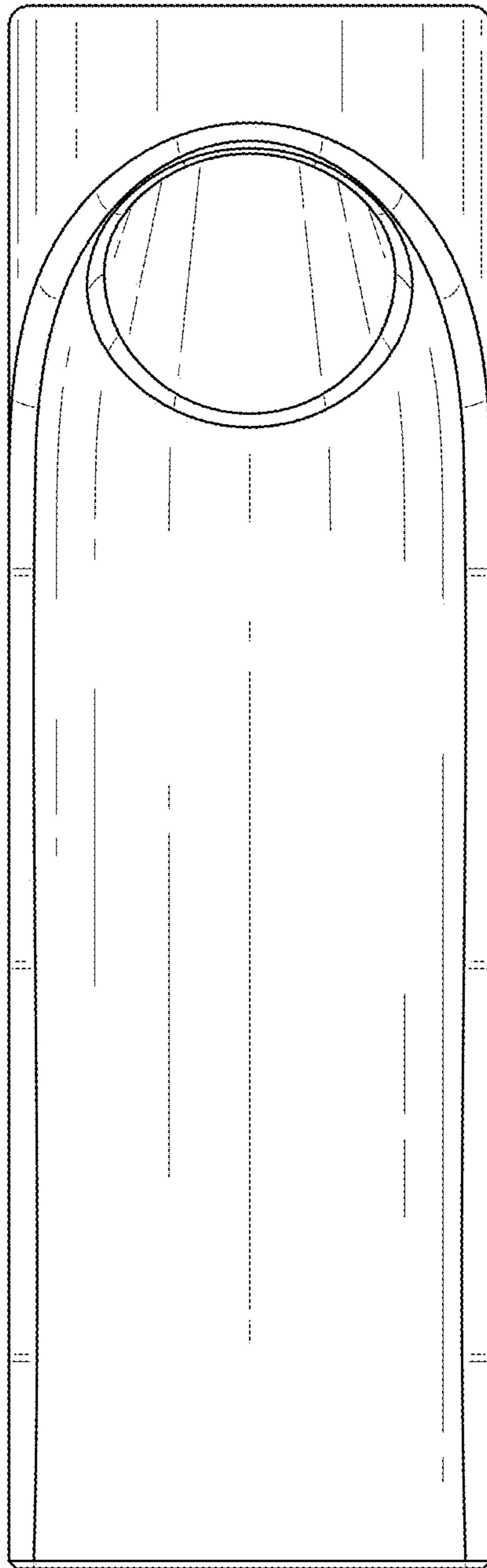


FIG. 7

