



US00D771635S

(12) **United States Design Patent** (10) **Patent No.:** **US D771,635 S**  
**Kuo** (45) **Date of Patent:** **\*\* Nov. 15, 2016**

- (54) **FIXED ARM FOR DETACHABLE KEYBOARD**
- (71) Applicant: **Getac Technology Corporation**, Hsinchu County (TW)
- (72) Inventor: **Hsiu-Yu Kuo**, Taipei (TW)
- (73) Assignee: **GETAC TECHNOLOGY CORPORATION**, Hsinchu County (TW)
- (\*\*) Term: **15 Years**
- (21) Appl. No.: **29/537,256**
- (22) Filed: **Aug. 24, 2015**
- (51) **LOC (10) Cl.** ..... **14-02**
- (52) **U.S. Cl.**  
USPC ..... **D14/457**; D14/434
- (58) **Field of Classification Search**  
USPC ..... D14/432-434, 314, 204, 420, 421, 447, D14/217, 358, 138 R, 140, 142, 253, 356, D14/451; D13/107, 108, 146; D8/373; 248/346.03, 176.1; 361/679.41, 361/679.31, 679.32, 679.4, 679.43, 679.55, 361/679.58, 679.33; 320/107, 109, 320/112-115; 710/15, 303; 455/557; 439/347, 534  
CPC ..... H02J 7/0042; H02J 7/00; H02J 7/025; H02J 7/0044; H02J 7/0045; H01R 31/065; H01R 13/6675; H01M 10/44; F16M 11/10; F16M 11/04; F16M 11/12; F16M 11/38; F16M 11/105; F16M 11/2064; Y02E 60/12; Y02T 90/14; Y02T 90/122; Y02T 90/128; Y02T 90/163; H04M 1/04; G06F 1/1654; G06F 1/1632  
See application file for complete search history.

- (56) **References Cited**  
U.S. PATENT DOCUMENTS  
D363,927 S \* 11/1995 Rosen ..... D14/451  
D415,768 S \* 10/1999 Howell ..... D14/239

(Continued)

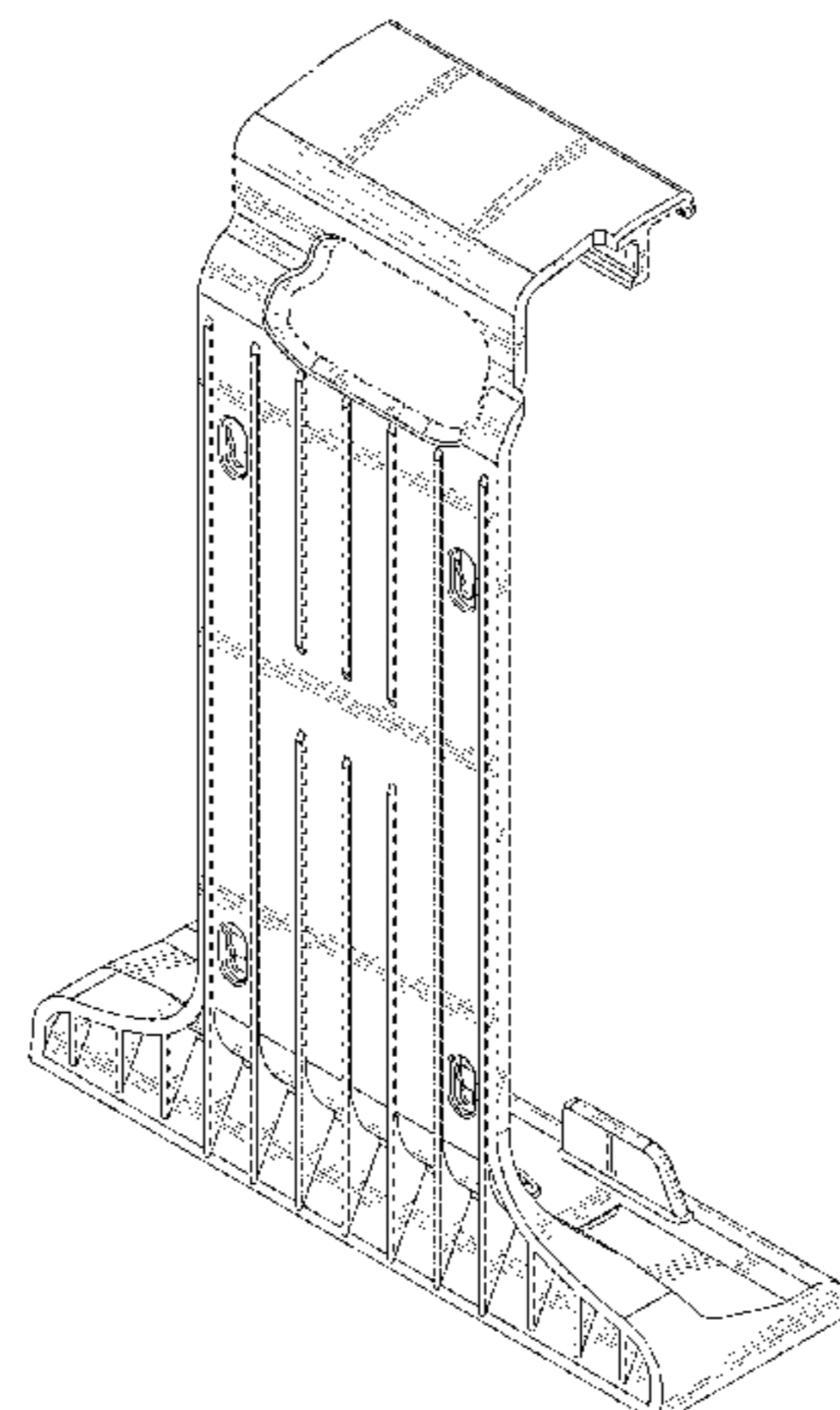
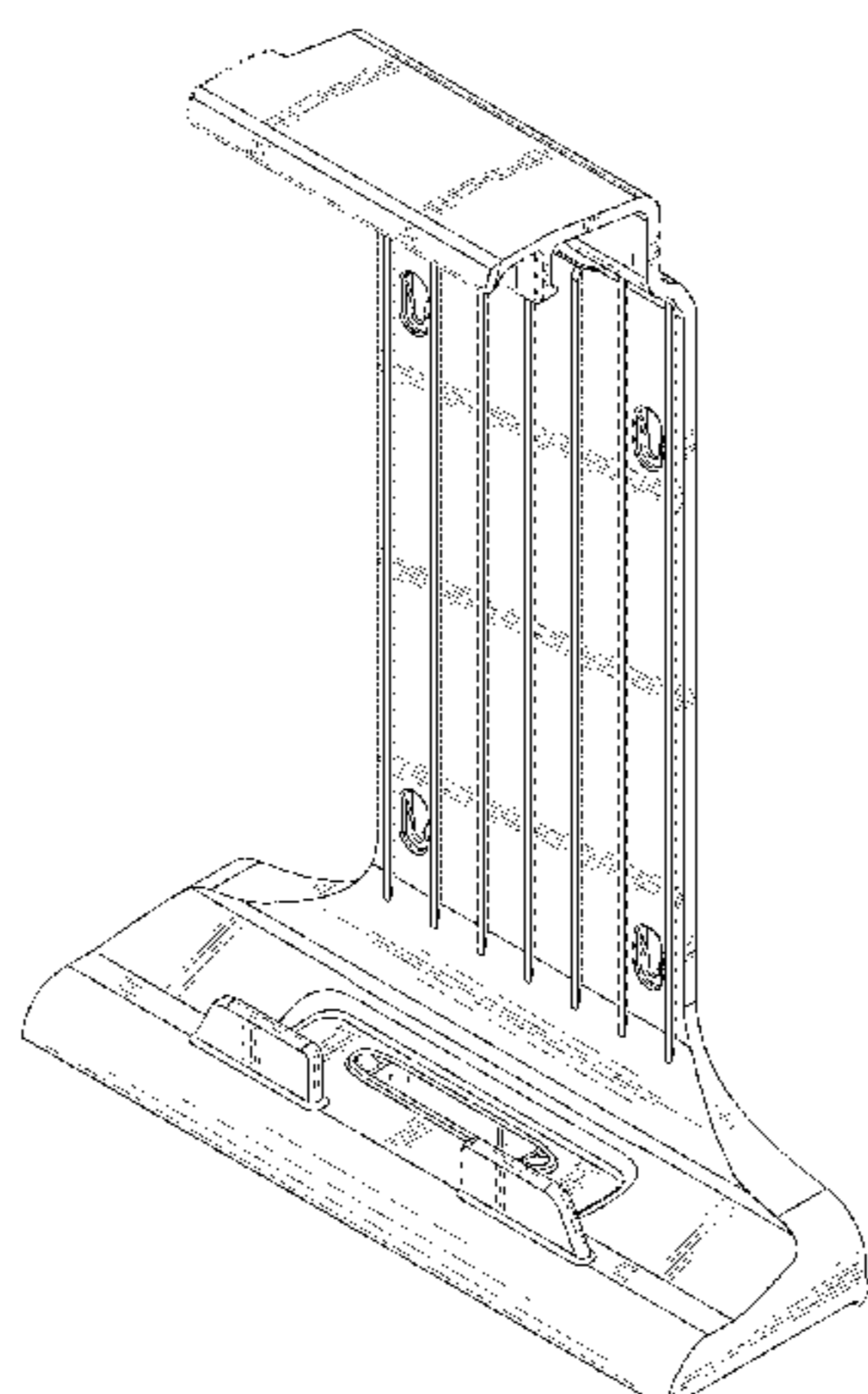
*Primary Examiner* — Freda S Nunn  
(74) *Attorney, Agent, or Firm* — Locke Lord LLP; Tim Tingkang Xia, Esq.

(57) **CLAIM**  
The ornamental design for a fixed arm for detachable keyboard, as shown and described.

**DESCRIPTION**

FIG. 1 is a top front right perspective view showing a first embodiment of my new design;  
 FIG. 2 is a top rear left perspective view showing a first embodiment of my new design;  
 FIG. 3 is a bottom rear left perspective view showing a first embodiment of my new design;  
 FIG. 4 is a front view of the first embodiment of my new design;  
 FIG. 5 is a rear view of the first embodiment of my new design;  
 FIG. 6 is a left side view of the first embodiment of my new design;  
 FIG. 7 is a right side view of the first embodiment of my new design;  
 FIG. 8 is a top view of the first embodiment of my new design;  
 FIG. 9 is a bottom view of the first embodiment of my new design;  
 FIG. 10 is a top, front, right perspective view showing a second embodiment my new design;  
 FIG. 11 is a top, rear, left perspective view showing a second embodiment my new design;  
 FIG. 12 is a bottom, rear, left perspective view showing a second embodiment my new design;  
 FIG. 13 is a front view showing a second embodiment my new design;  
 FIG. 14 is a rear view showing a second embodiment my new design;  
 FIG. 15 is a left side view showing a second embodiment my new design;  
 FIG. 16 is a right side view showing a second embodiment my new design;  
 FIG. 17 is a top view showing a second embodiment my new design; and,  
 FIG. 18 is a bottom view showing a second embodiment my new design.

**1 Claim, 14 Drawing Sheets**



(56)

**References Cited**

U.S. PATENT DOCUMENTS

D416,536 S \* 11/1999 Ross ..... D13/107  
D508,916 S \* 8/2005 Lee ..... D14/434  
6,999,008 B2 \* 2/2006 Wang ..... G06F 1/1632  
341/22  
D549,232 S \* 8/2007 Li ..... D14/434

D586,348 S \* 2/2009 Leung ..... D12/415  
D588,141 S \* 3/2009 Heggland ..... D14/434  
D592,669 S \* 5/2009 Malisse ..... D14/451  
8,205,842 B2 \* 6/2012 Wang ..... F16M 11/10  
16/221  
D697,919 S \* 1/2014 Gelsomini ..... D14/447  
D714,794 S \* 10/2014 Quijano ..... D14/447  
9,074,724 B2 \* 7/2015 Yu ..... G06F 1/1632

\* cited by examiner

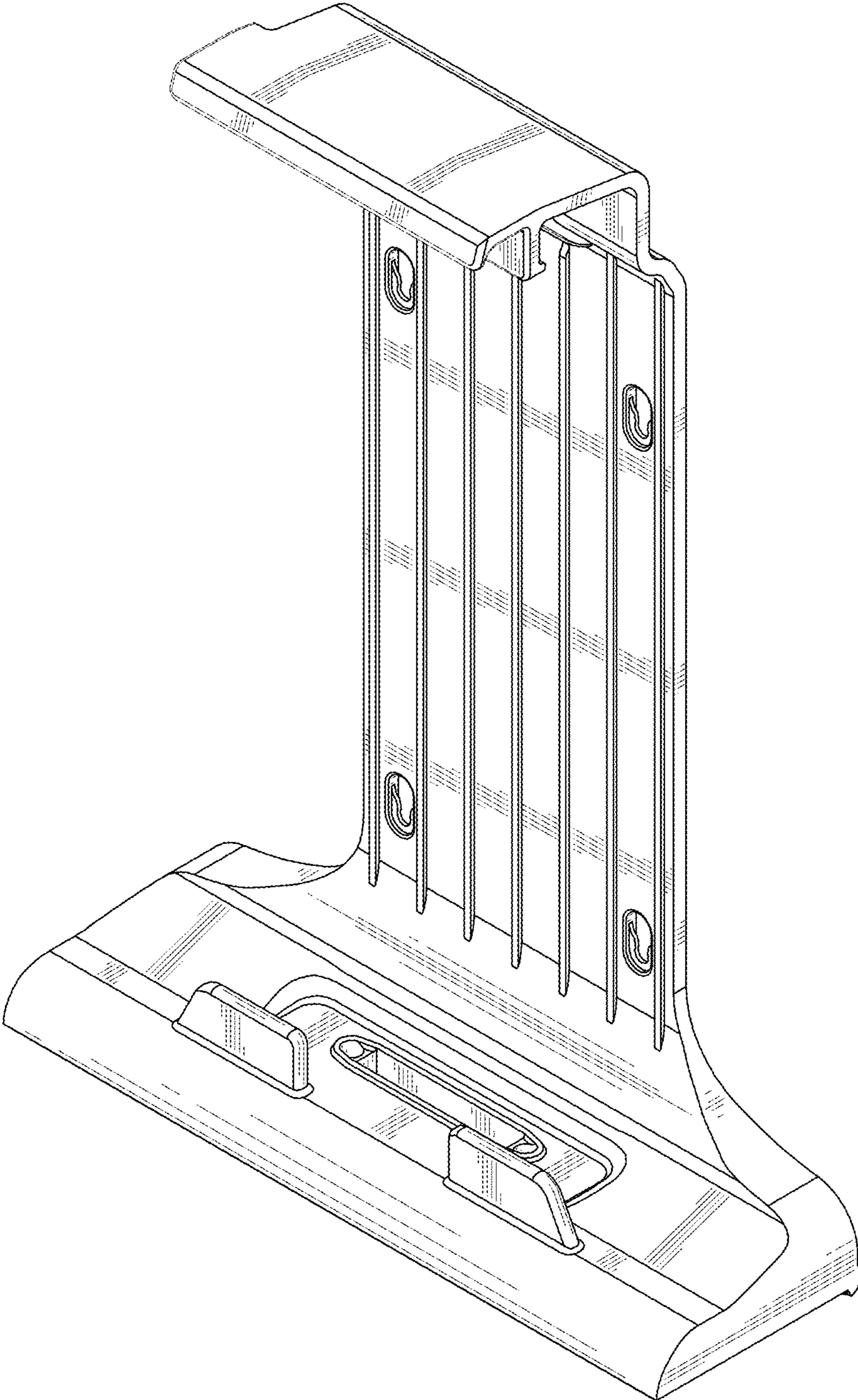


FIG. 1

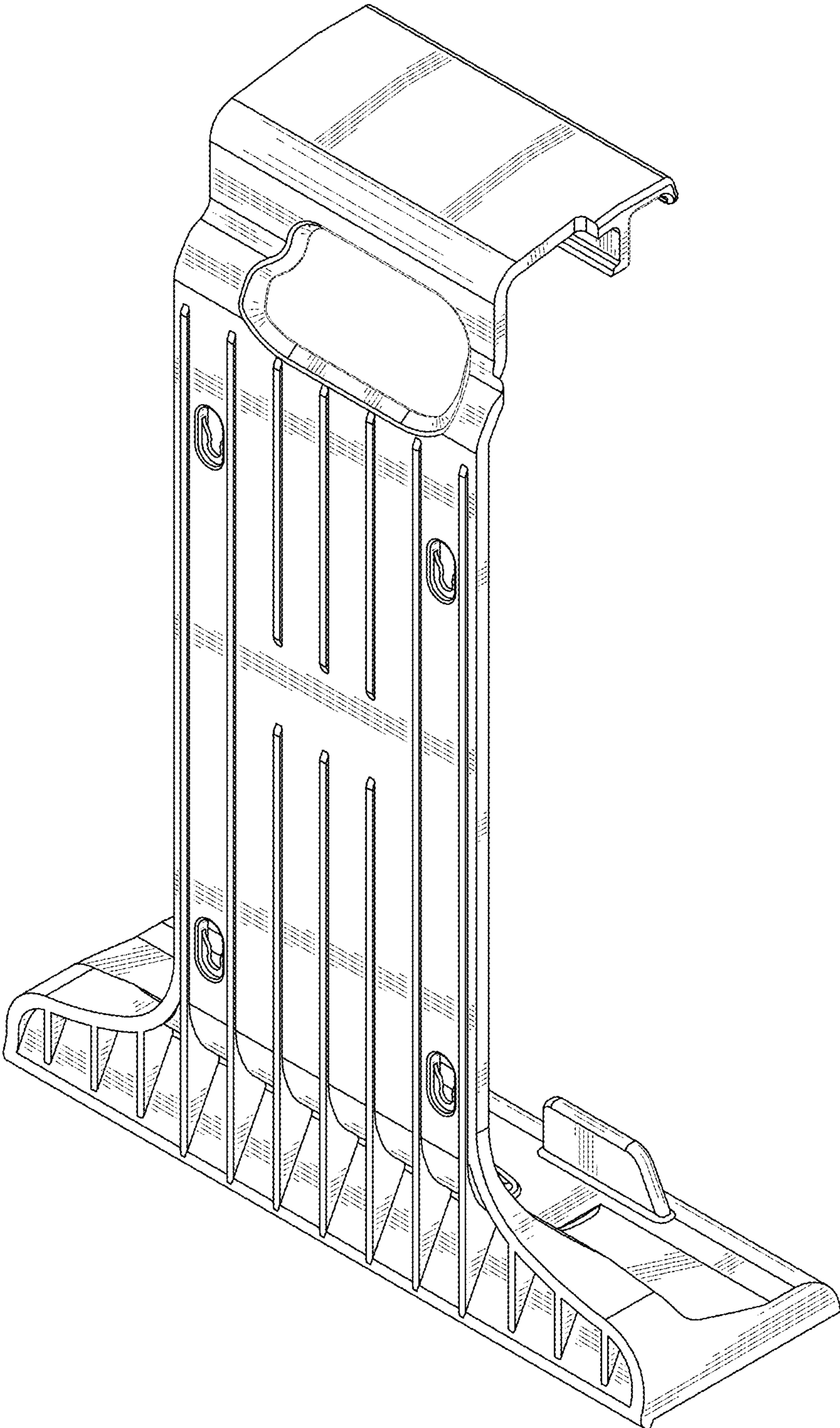


FIG. 2

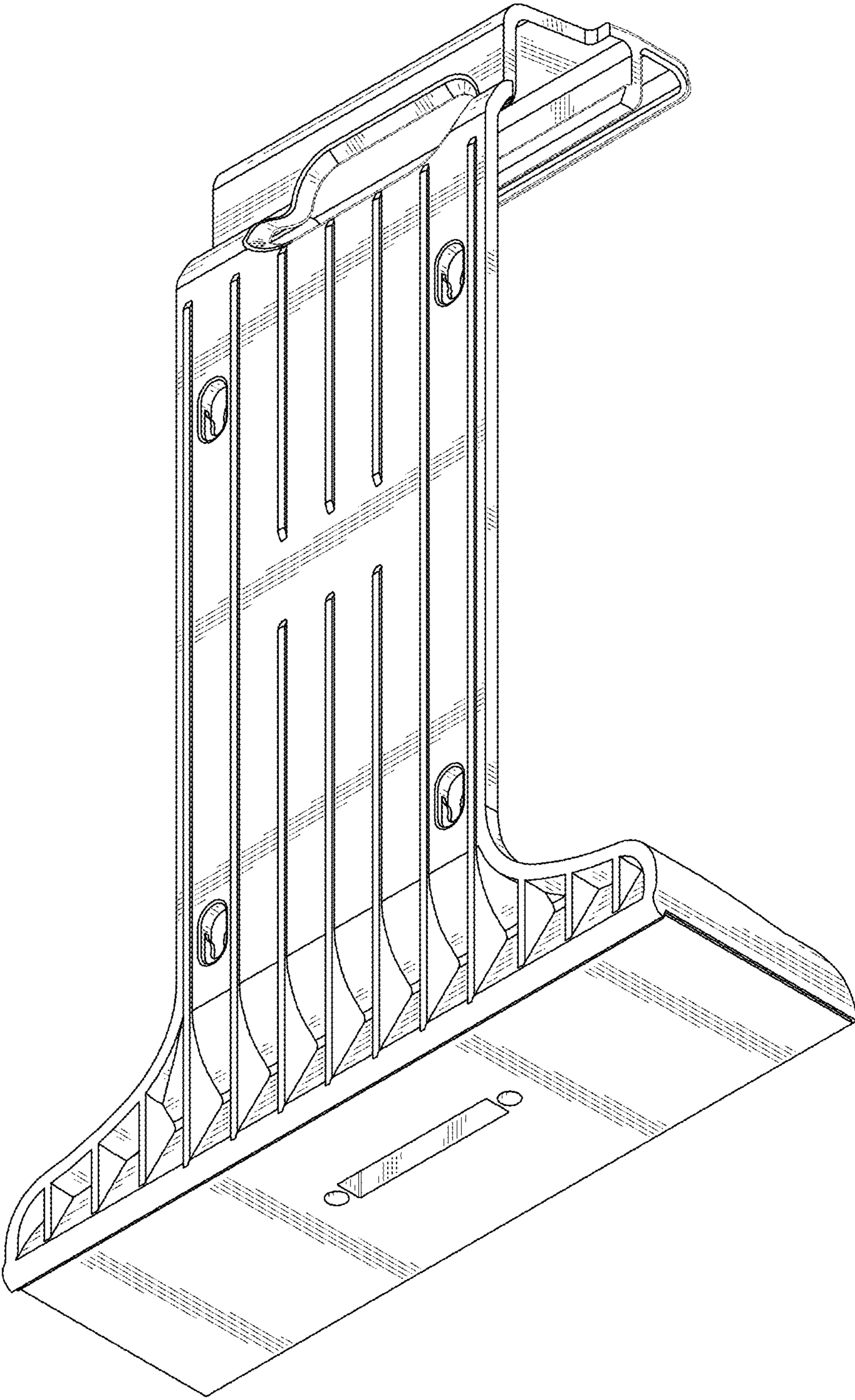


FIG. 3

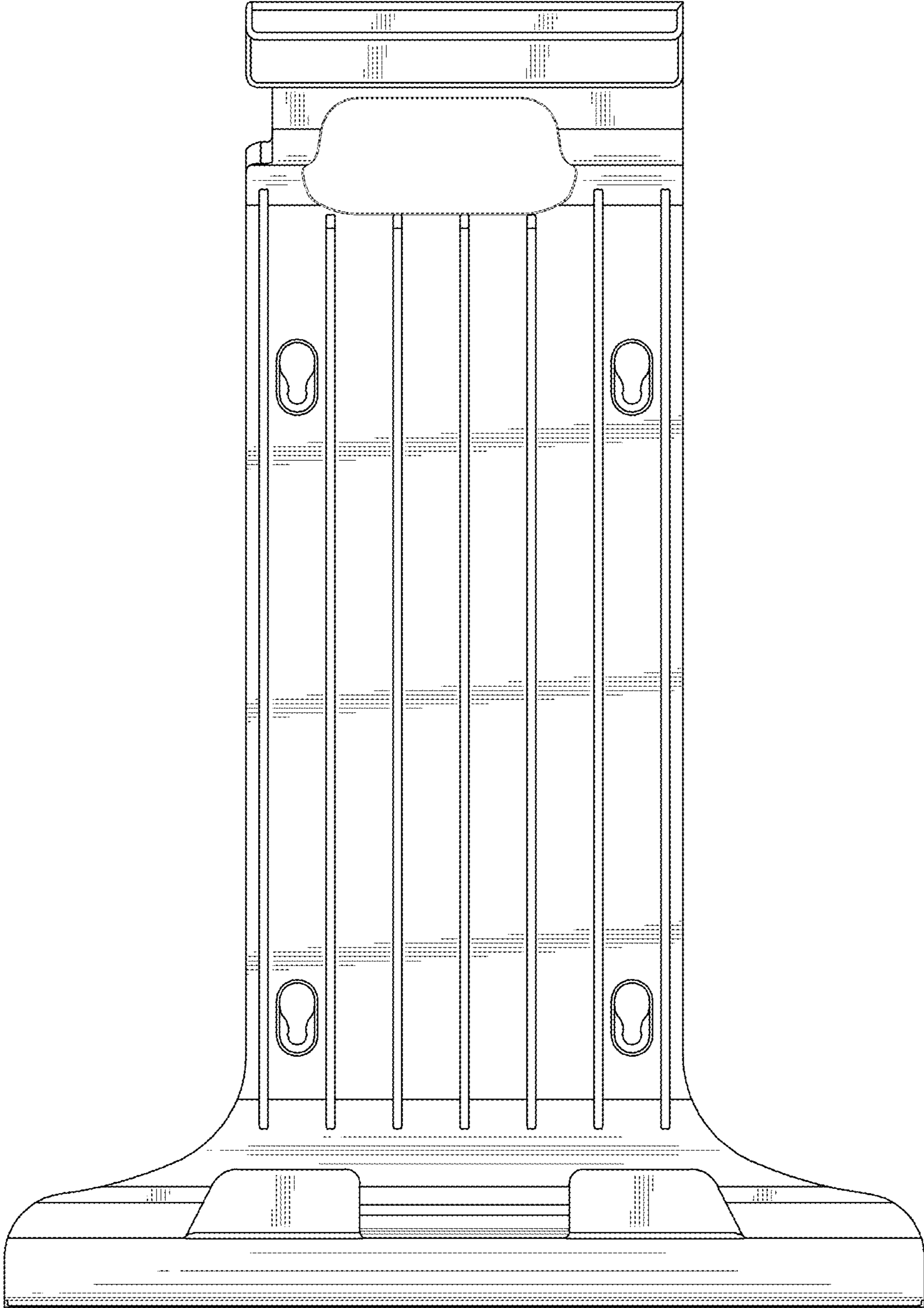


FIG. 4

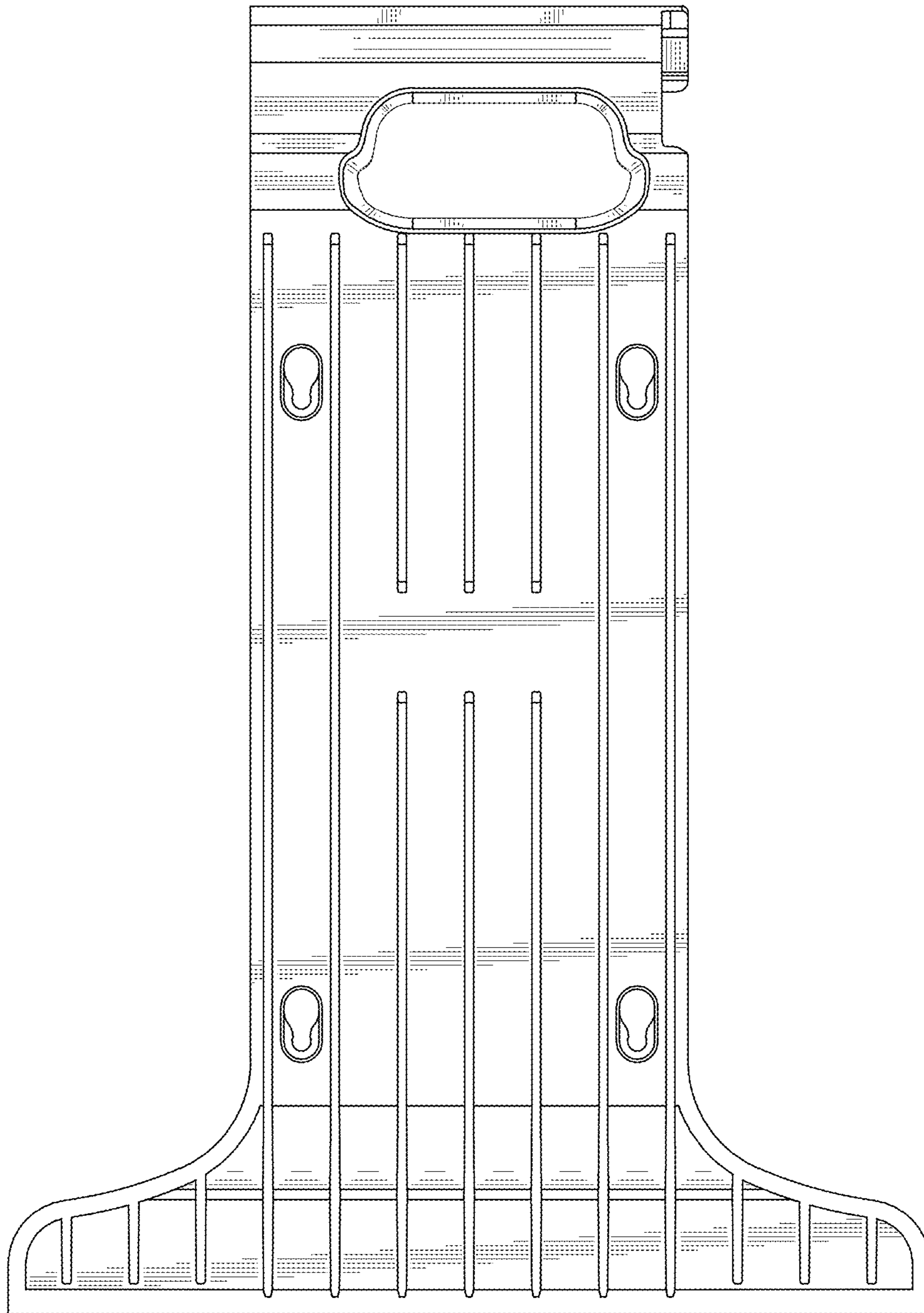


FIG. 5

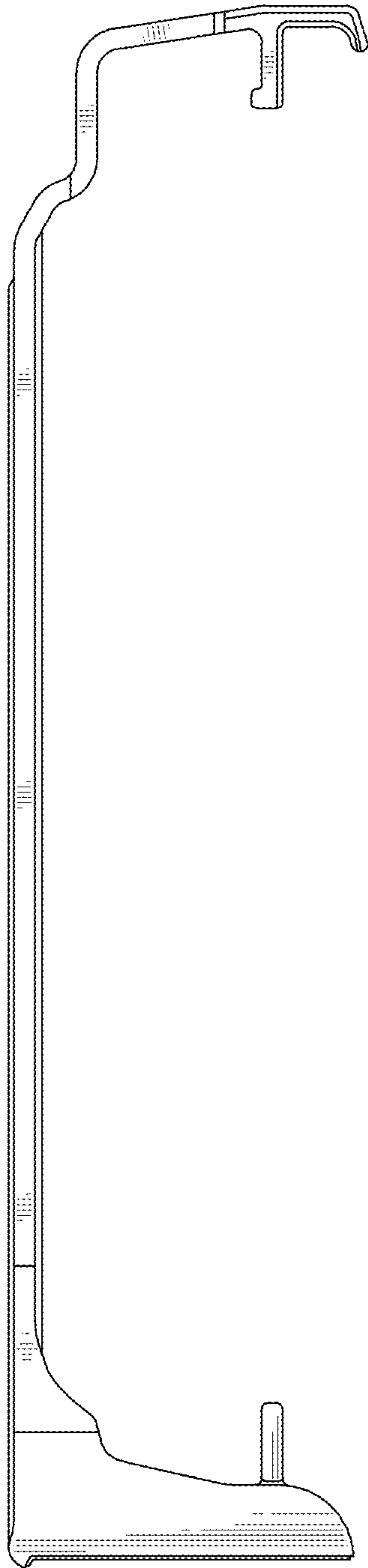


FIG. 6

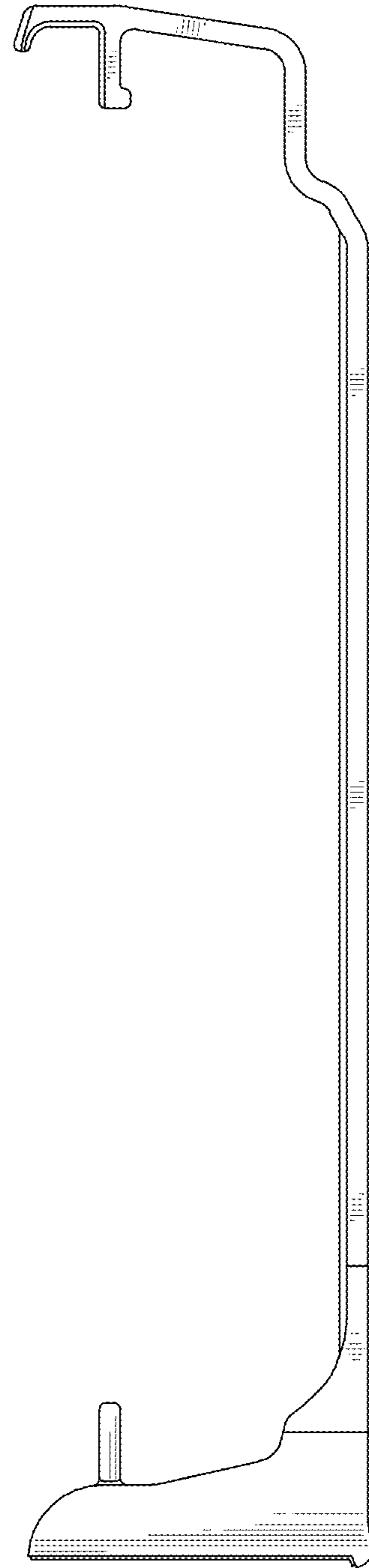


FIG. 7



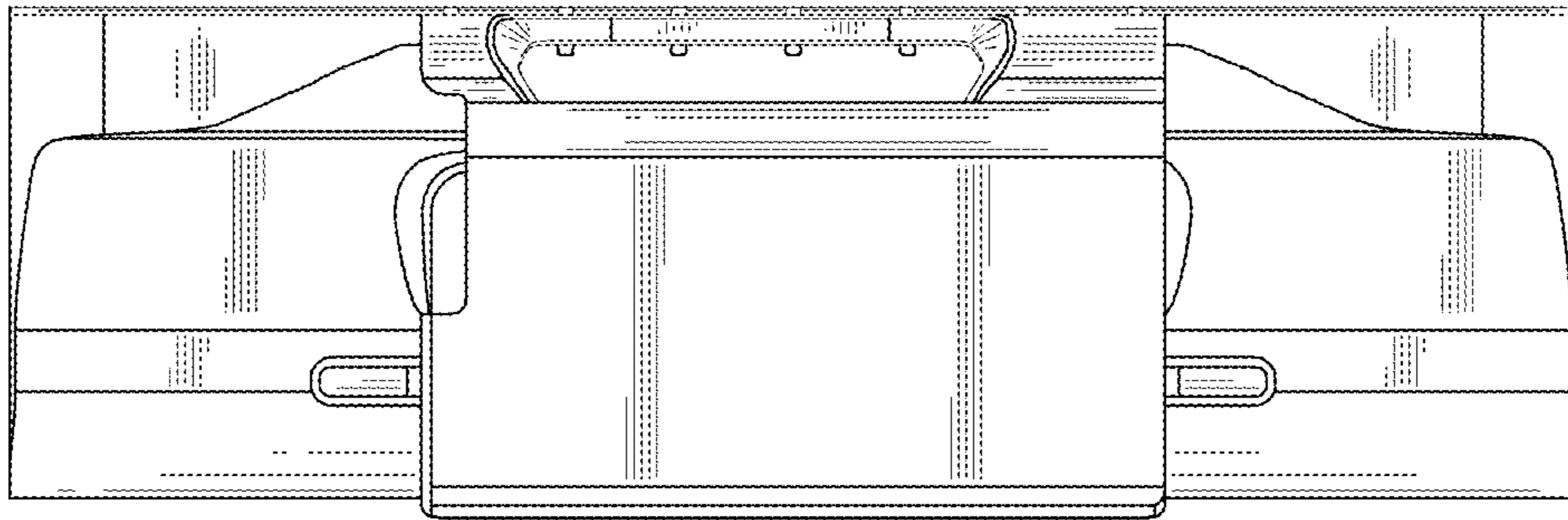


FIG. 8

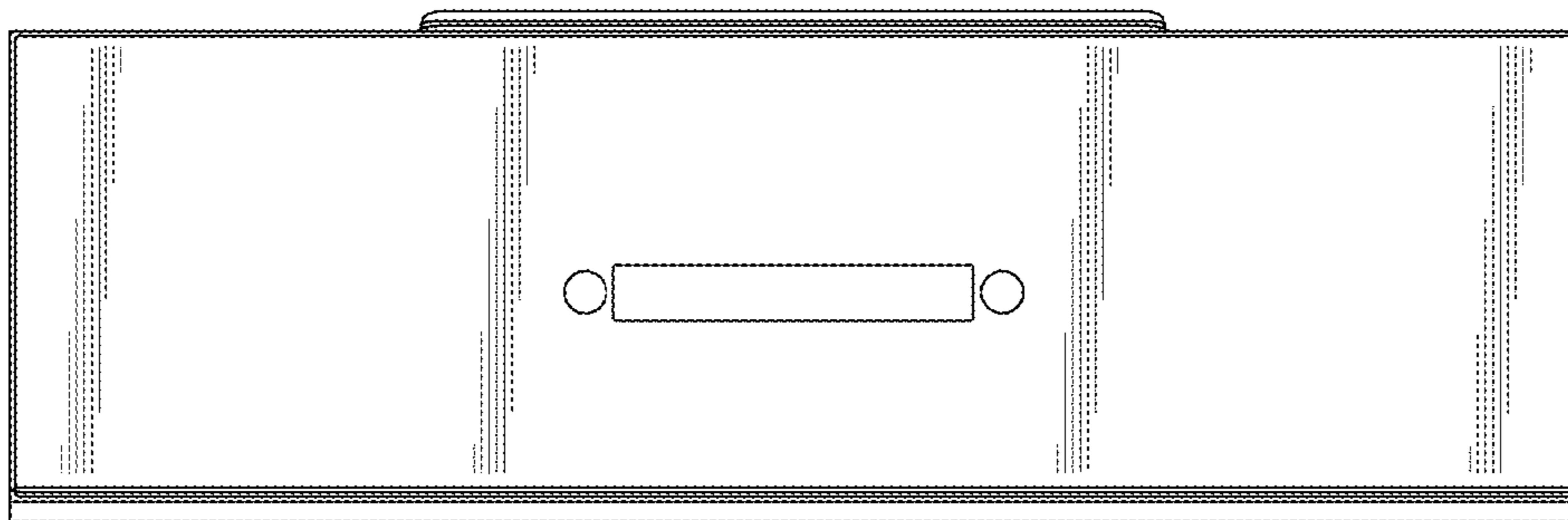


FIG. 9

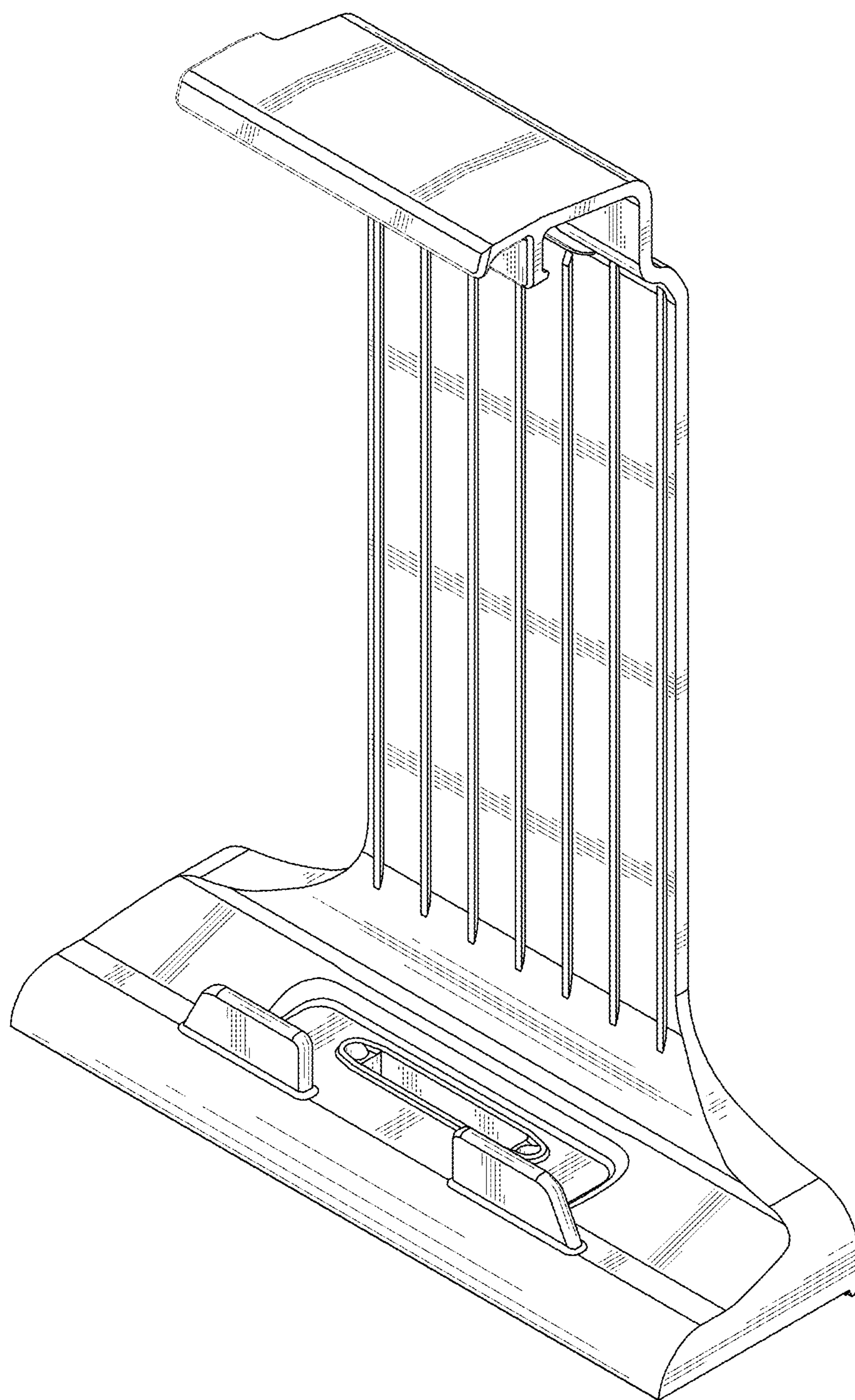


FIG. 10

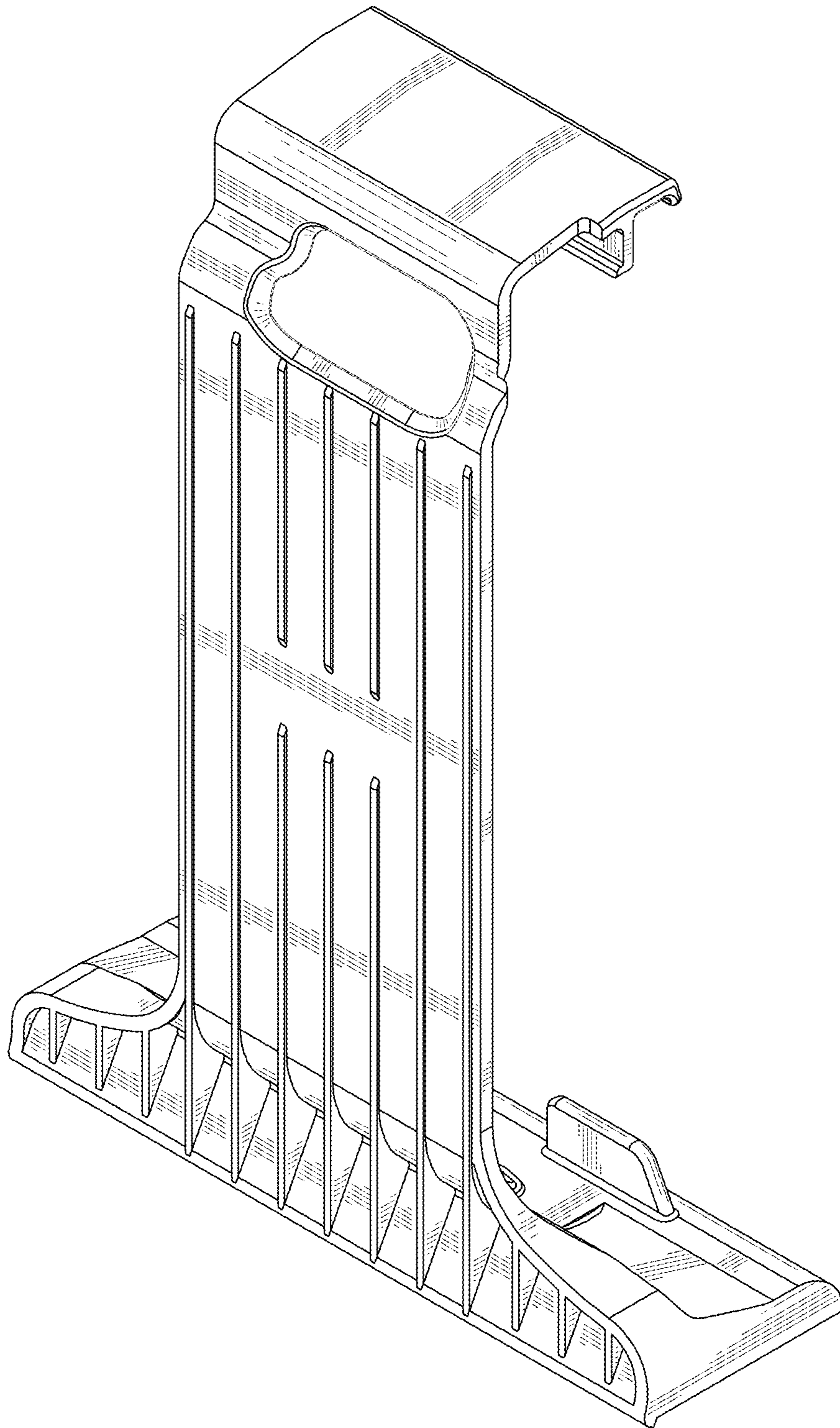


FIG. 11

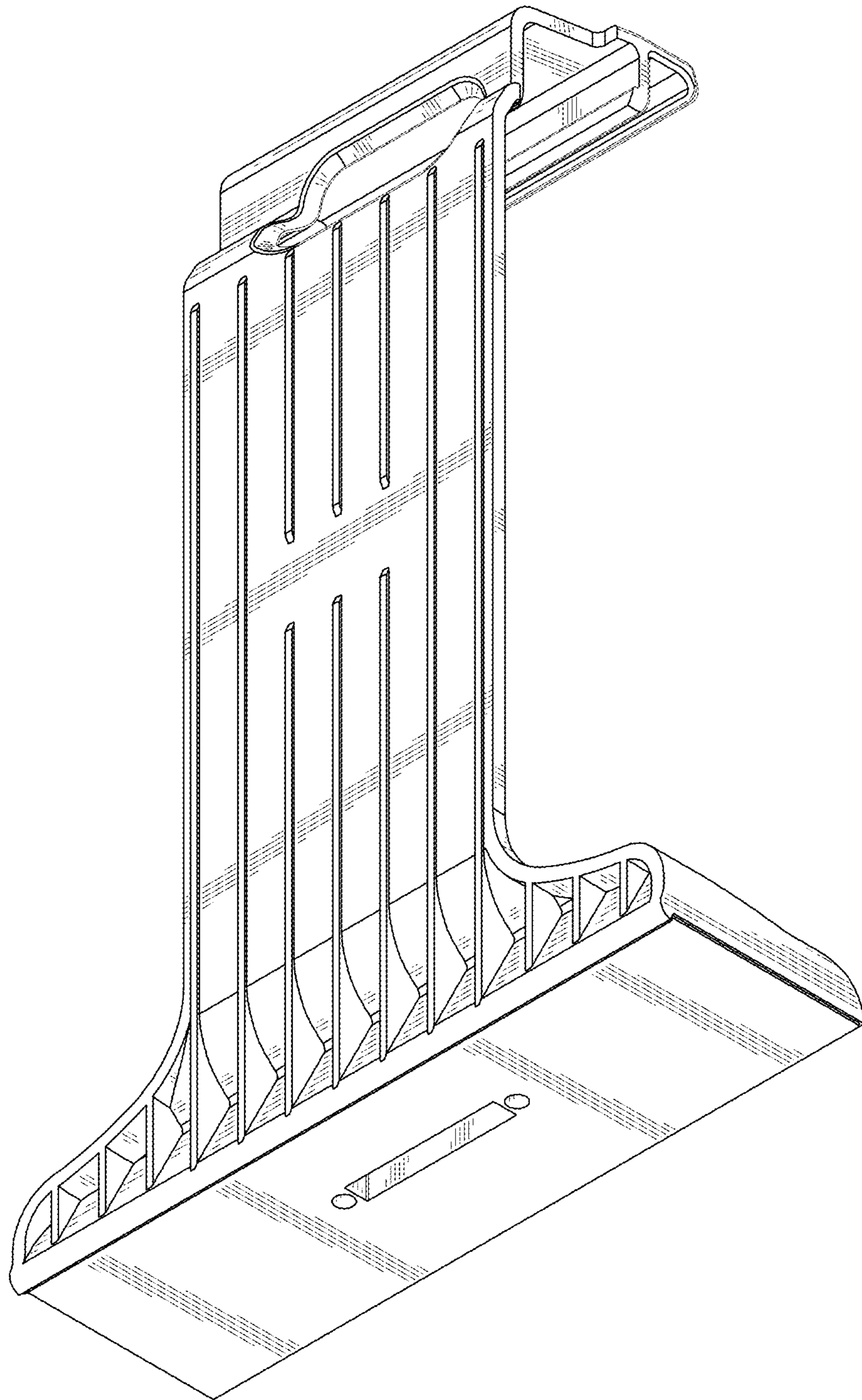


FIG. 12

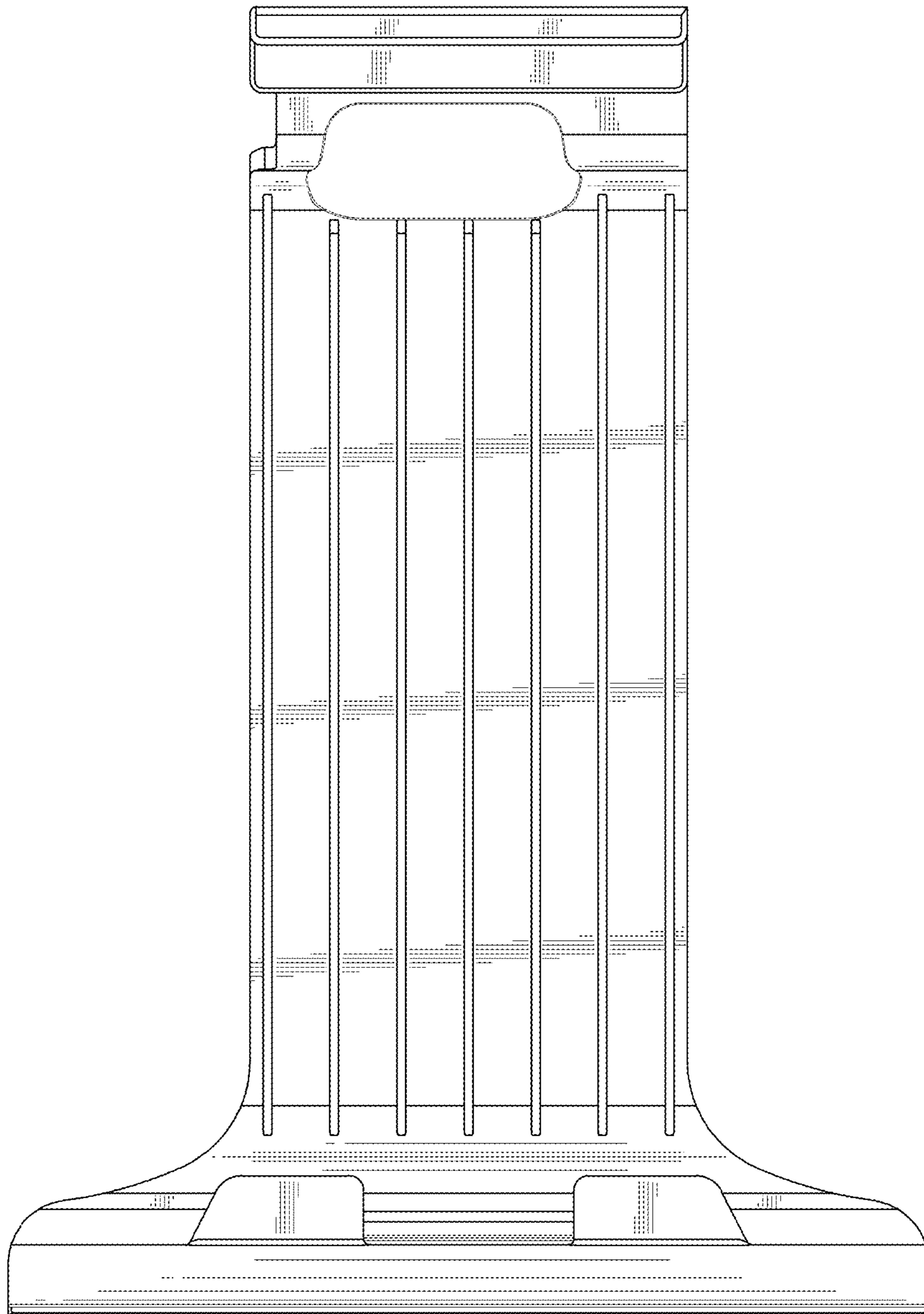


FIG. 13

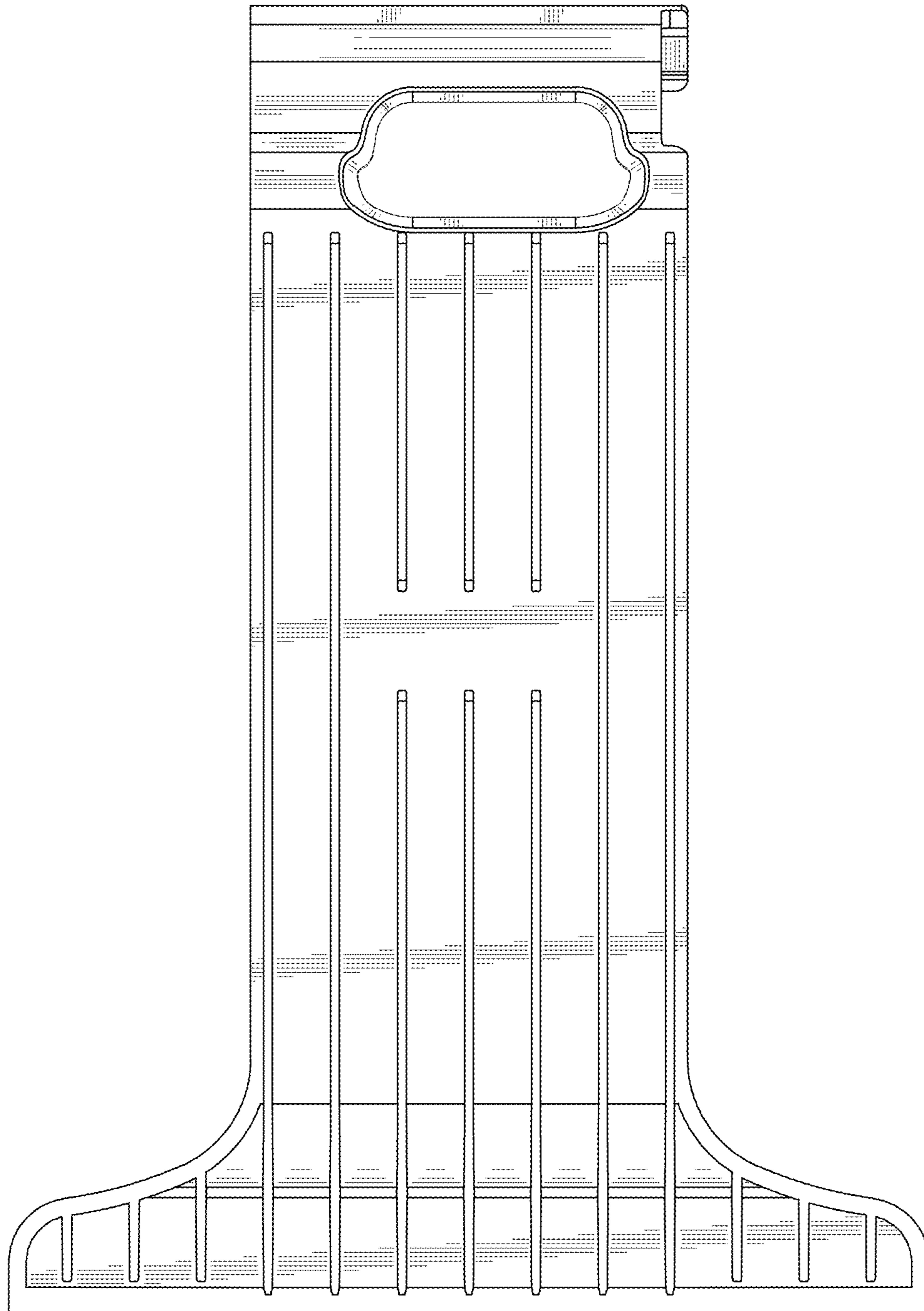


FIG. 14

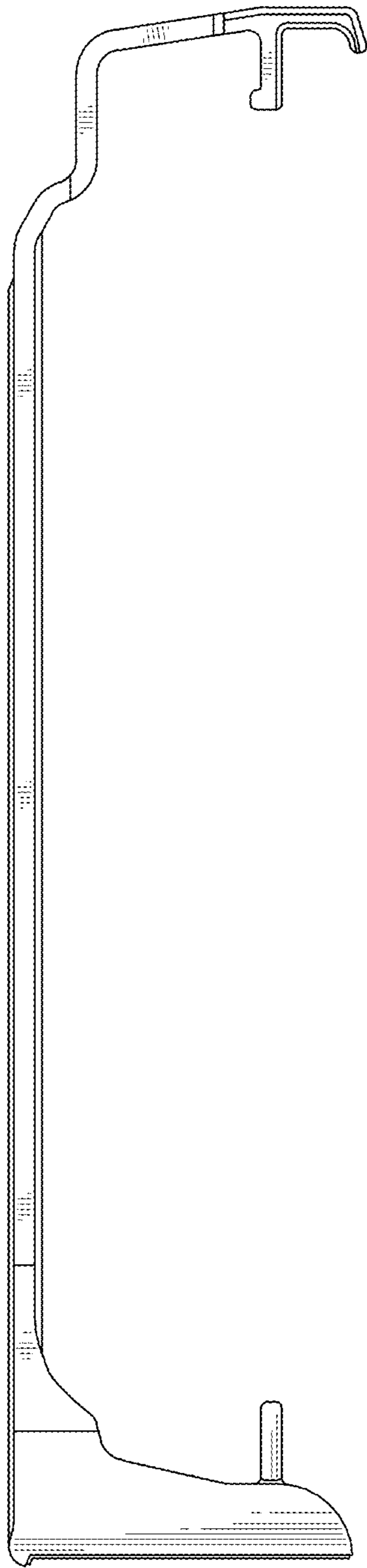


FIG. 15

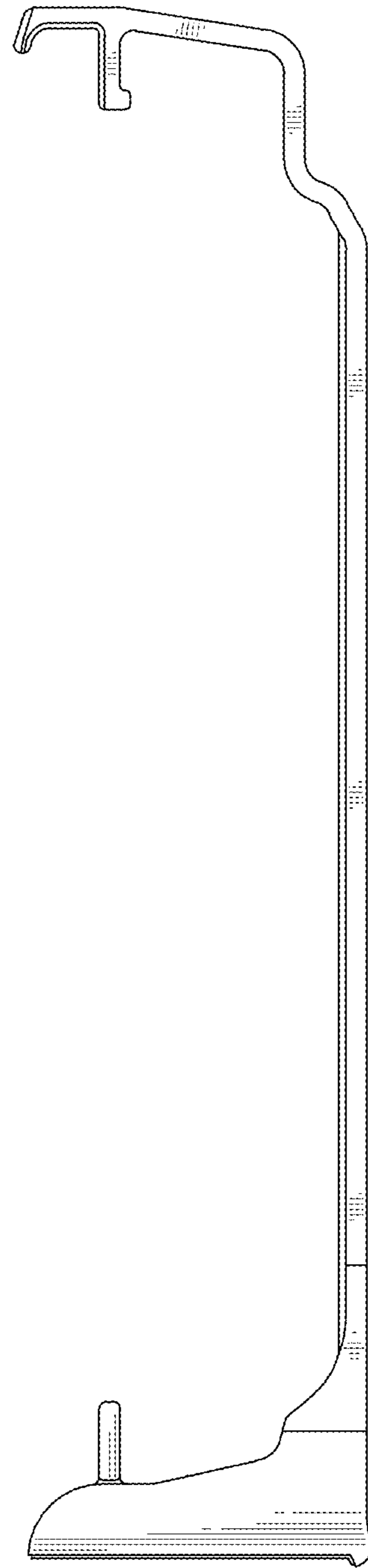


FIG. 16

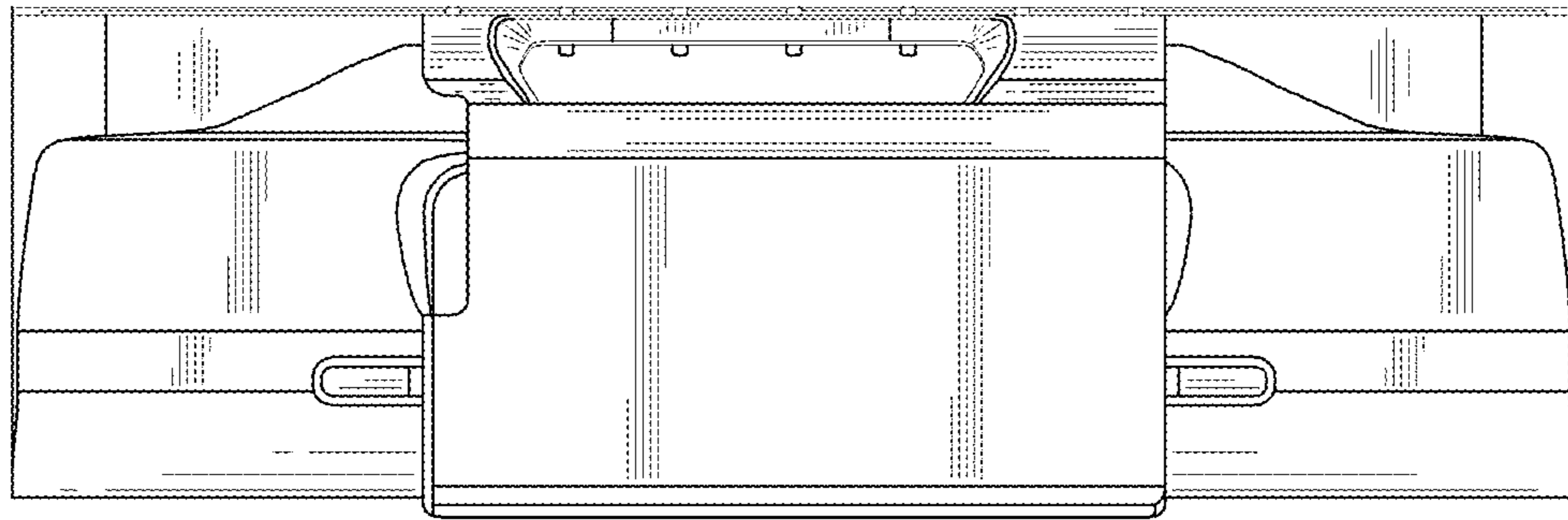


FIG. 17

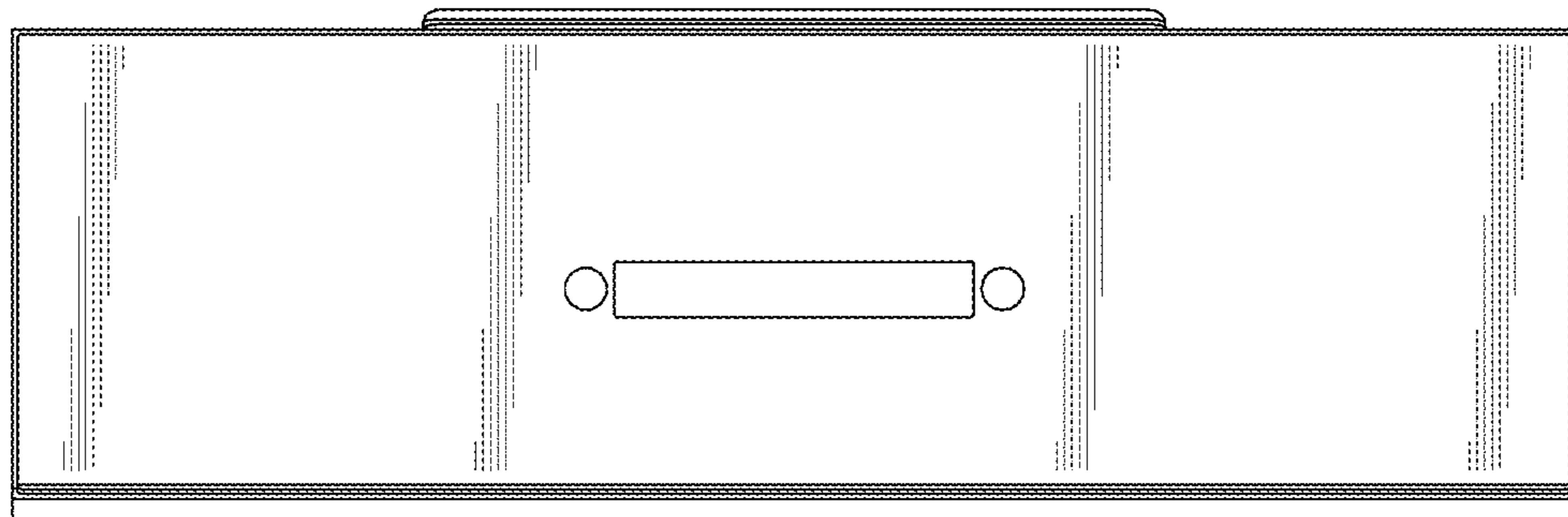


FIG. 18