



US00D771632S

(12) **United States Design Patent**
Shim

(10) **Patent No.:** **US D771,632 S**

(45) **Date of Patent:** **** Nov. 15, 2016**

- (54) **USB (UNIVERSAL SERIAL BUS)**
- (71) Applicant: **SAMSUNG ELECTRONICS CO., LTD.**, Suwon-si (KR)
- (72) Inventor: **Hyung-Sup Shim**, Seoul (KR)
- (73) Assignee: **SAMSUNG ELECTRONICS CO., LTD.**, Suwon-si (KR)

D670,711 S *	11/2012	Ma	D14/480.1
D709,513 S *	7/2014	Huang	D14/480.3
D711,891 S *	8/2014	Emami	D14/480.5
D720,761 S *	1/2015	Winzenried	D14/480.5
8,929,063 B2 *	1/2015	Emami	H05K 5/0278 361/679.32
D724,600 S *	3/2015	Hsieh	D14/480.1
D724,601 S *	3/2015	Hsieh	D14/480.3
D745,874 S *	12/2015	Huang	D14/480.1
D754,138 S *	4/2016	Otsuka	D14/480.1
D759,028 S *	6/2016	Emami	D14/480.1
D759,031 S *	6/2016	Ozolins	D14/480.5

(**) Term: **15 Years**

* cited by examiner

(21) Appl. No.: **29/536,132**

Primary Examiner — Angela J Lee

(22) Filed: **Aug. 13, 2015**

(74) *Attorney, Agent, or Firm* — Sughrue Mion, PLLC

(30) **Foreign Application Priority Data**

Mar. 10, 2015 (KR) 30-2015-0012021

(51) **LOC (10) Cl.** **14-03**

(52) **U.S. Cl.**
USPC **D14/435.1**

(58) **Field of Classification Search**
USPC D14/435.1, 480.1–480.7, 411, 433, 436,
D14/484.1, 137, 155, 203.1–203.8, 240,
D14/242; D13/133, 154
CPC H05K 5/0278; G06K 19/07732
See application file for complete search history.

(57) **CLAIM**

I claim the ornamental design for a USB (universal serial bus), as shown and described.

DESCRIPTION

FIG. 1 is a front perspective view of USB (universal serial bus) showing my new design;
FIG. 2 is a front view thereof;
FIG. 3 is a rear view thereof;
FIG. 4 is a left-side view thereof;
FIG. 5 is a right-side view thereof;
FIG. 6 is a top plan view thereof;
FIG. 7 is a bottom plan view thereof; and,
FIG. 8 is a front perspective view showing the USB (universal serial bus) in an open position.
The broken lines are for environmental purposes only and form no part of the claimed design.

(56) **References Cited**

U.S. PATENT DOCUMENTS

D356,440 S *	3/1995	Stillwagon	D3/208
D640,263 S *	6/2011	Huang	D14/480.3

1 Claim, 6 Drawing Sheets

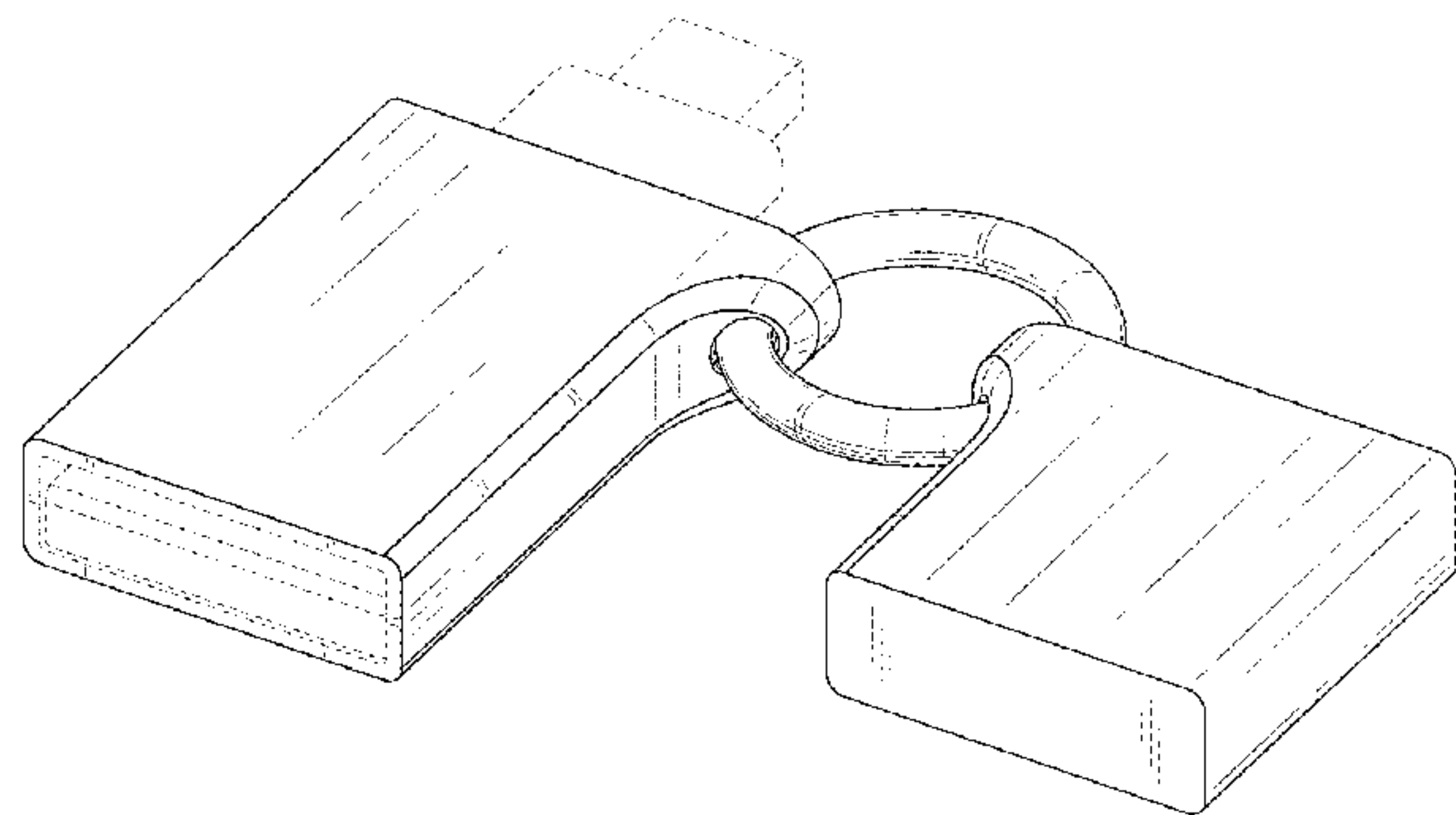
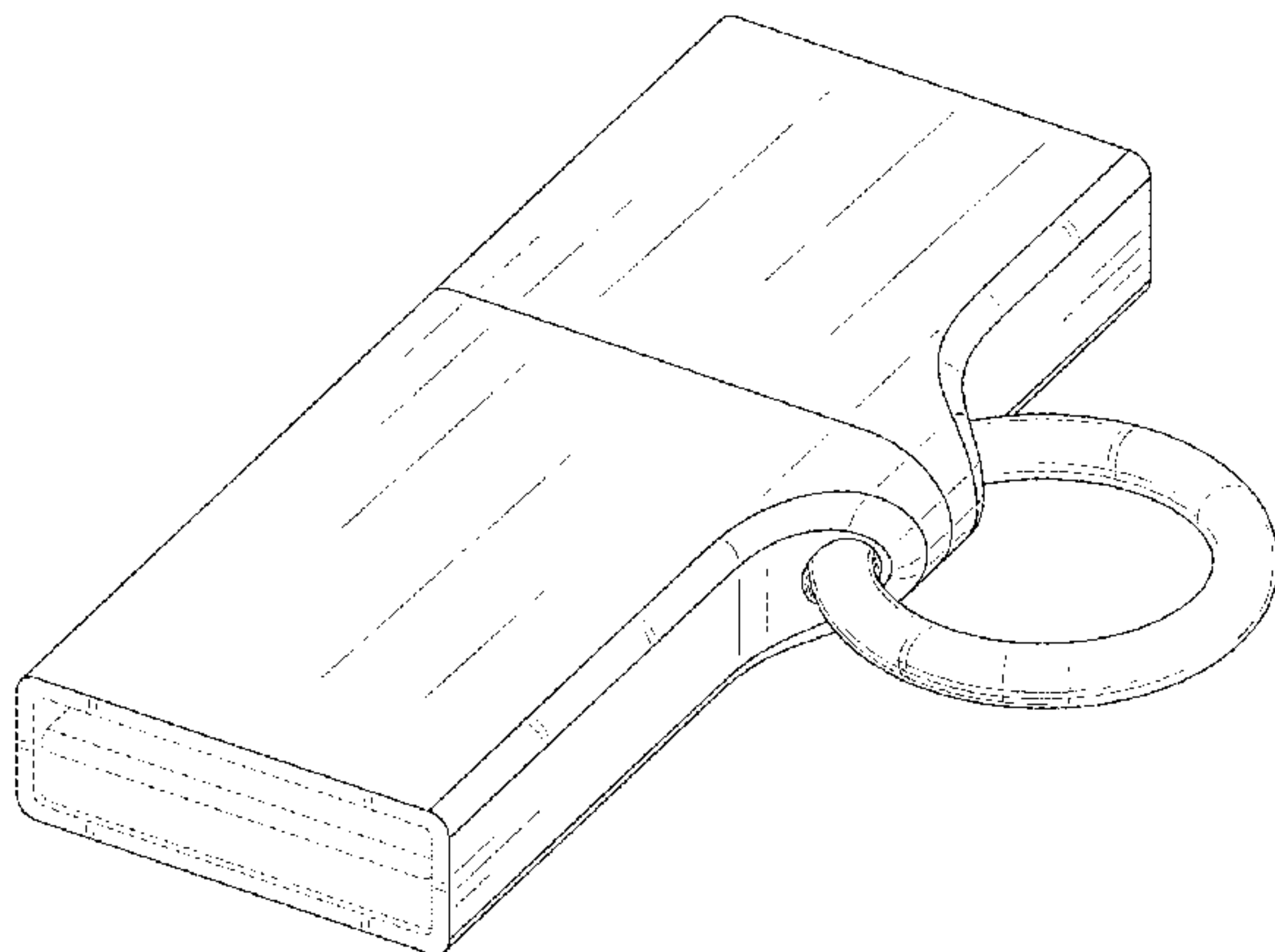


FIG. 1

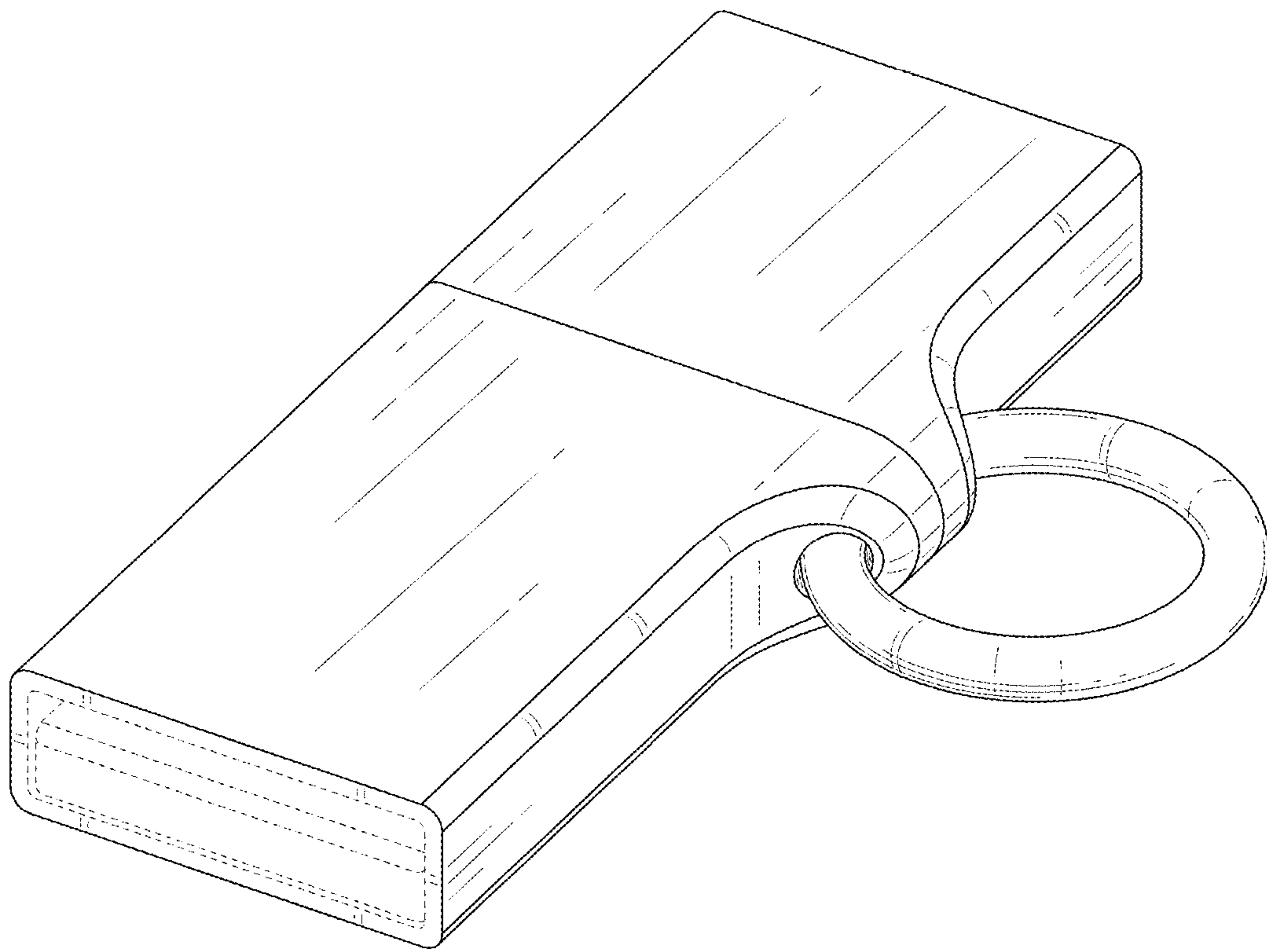


FIG. 2

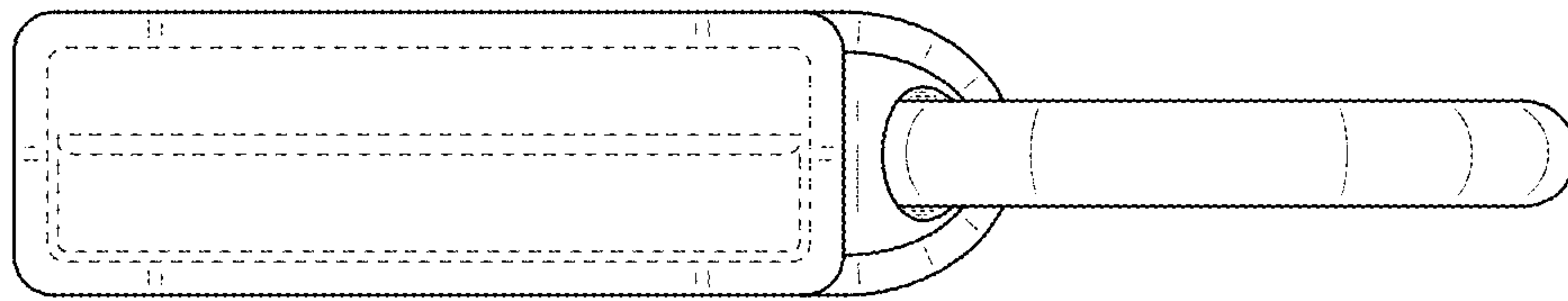


FIG. 3

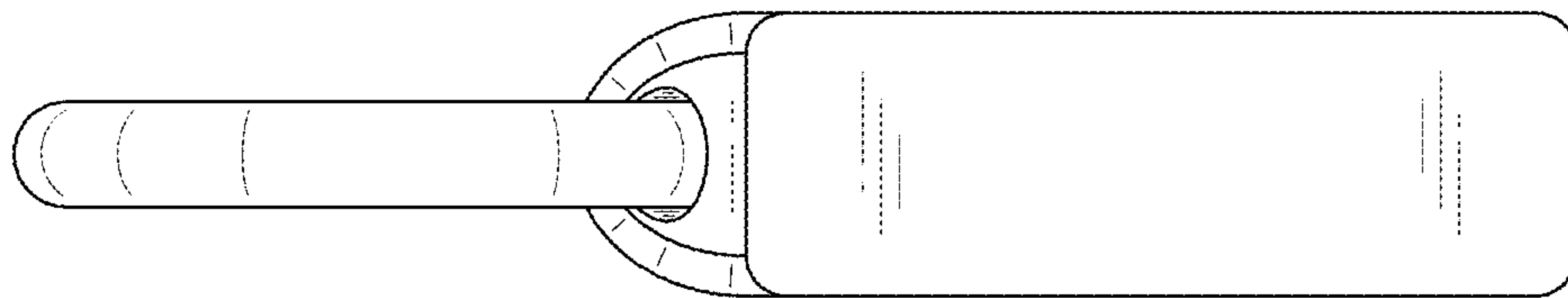


FIG. 4

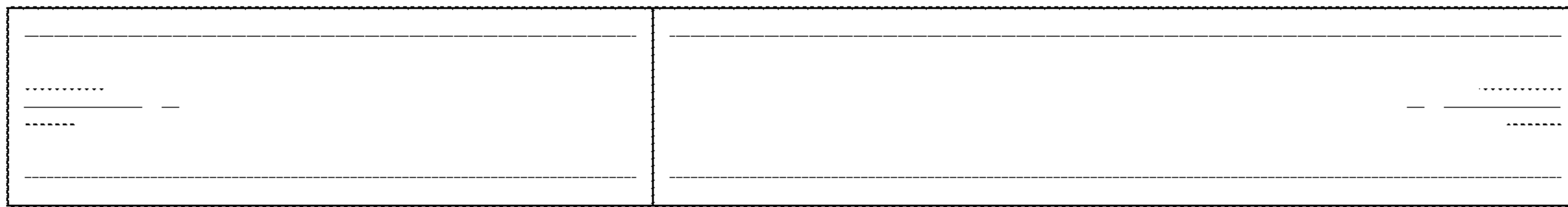


FIG. 5

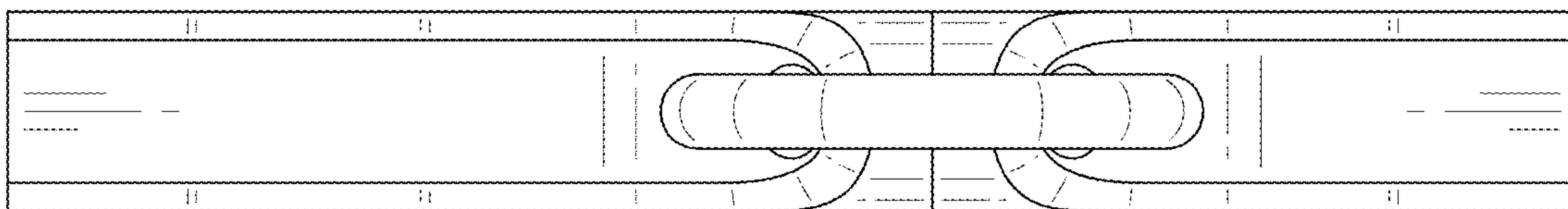


FIG. 6

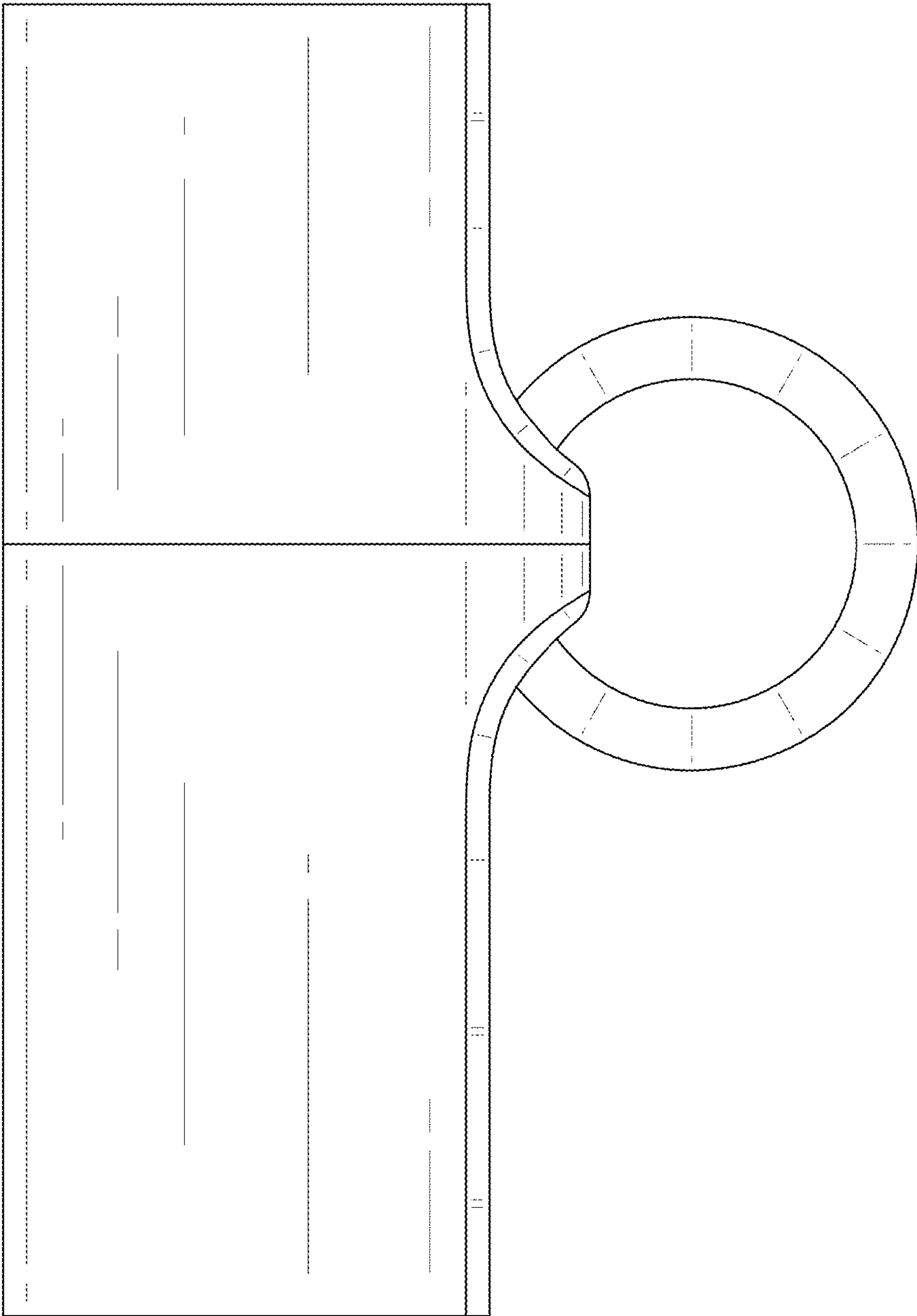


FIG. 7

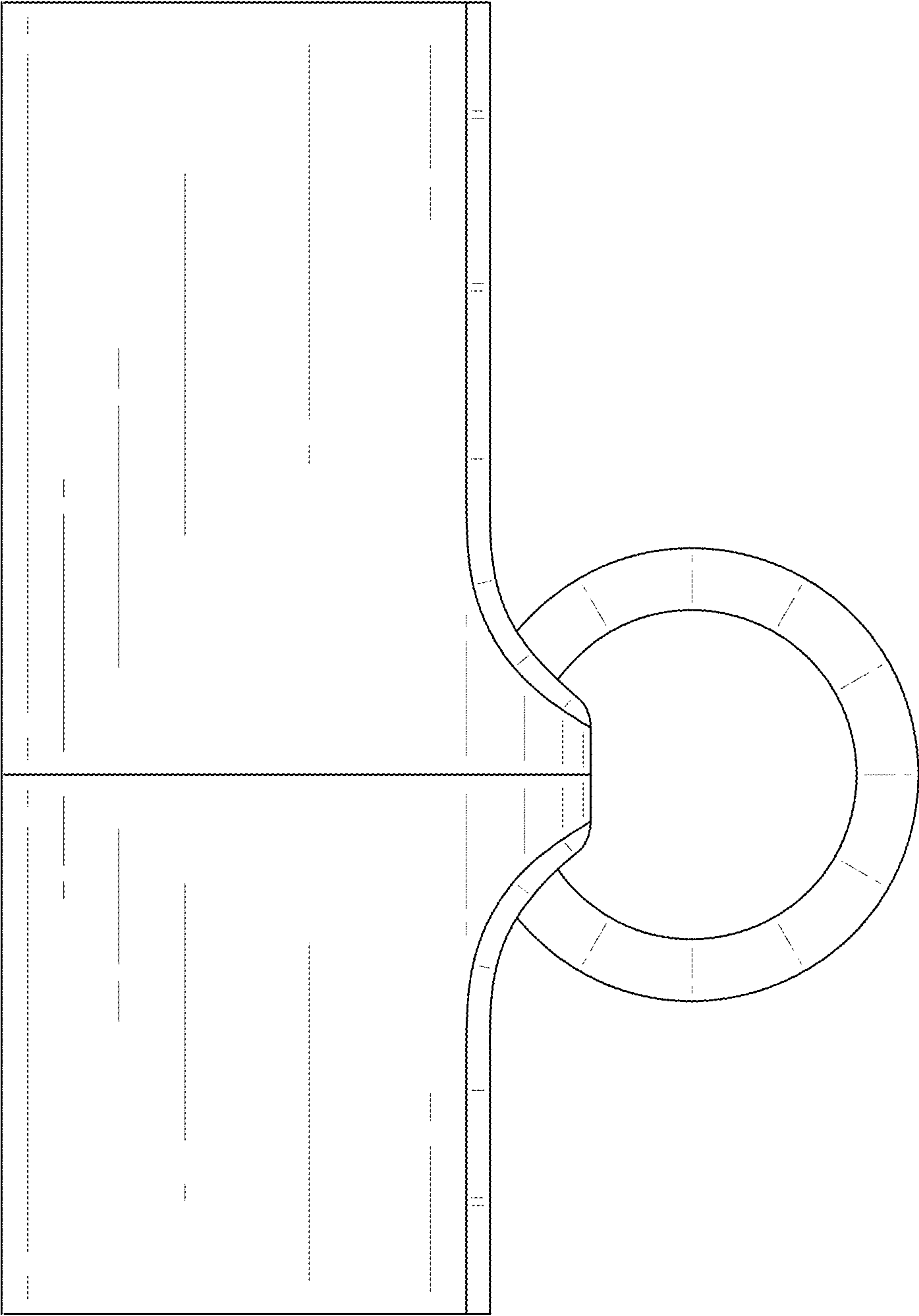


FIG. 8

