



US00D771631S

(12) **United States Design Patent**  
**Fitch et al.**

(10) **Patent No.:** **US D771,631 S**  
(45) **Date of Patent:** **\*\* Nov. 15, 2016**

(54) **MOBILE COMPUTER HOUSING**

(71) Applicant: **Hand Held Products, Inc.**, Fort Mill, SC (US)

(72) Inventors: **Timothy R. Fitch**, Syracuse, NY (US);  
**Deborah Lynn Harr**, Waxhaw, NC (US); **Robert T. Englert**, Jamesville, NY (US)

(73) Assignee: **Hand Held Products, Inc.**, Fort Mill, SC (US)

(\*\*) Term: **15 Years**

(21) Appl. No.: **29/528,890**

(22) Filed: **Jun. 2, 2015**

(51) **LOC (10) Cl.** ..... **14-02**

(52) **U.S. Cl.**  
USPC ..... **D14/426**; D14/429

(58) **Field of Classification Search**  
USPC ..... D14/420, 426-430, 453, 346, 341, 347, D14/412, 138; D13/107, 184; 358/473; 235/462.43, 462.45, 462.47, 462.48, 235/462.44, 462.46, 487, 472.01, 472.02, 235/145 A, 145 R; D10/78; 324/426; D3/273; 710/73; D18/7; 361/679, 728, 361/679.56; 382/313, 321; 455/575.1, 561, 455/572; 345/156, 168, 169, 172, 173, 87; 705/17, 18, 22-25

CPC .... G06F 1/626; G06F 1/1626; G06F 1/1656; G06F 1/1632; G06F 1/1684; G06F 1/1635; G06F 8/63; G06F 17/30091; G06F 9/4401; G06K 7/10881; G06K 7/1098; G06K 7/10722; G06K 7/1404; G06K 7/0004; G06K 7/10633; G06K 7/10851; G06K 7/1091; G06K 7/1092; G06K 7/1093; G06K 7/10; G06K 7/109; G06K 7/1417; G06K 9/228; G06K 17/0022; G06K 17/00; G06K 2207/1011; G06K 2207/1013; G06K 2207/1016; G06K 2207/1018; G06K 2017/0051; G06K 2017/0067; G06K 2007/10524; G07G 1/0081; G07G 1/009; G06Q 20/20; G06Q 20/201; G06Q 20/202;

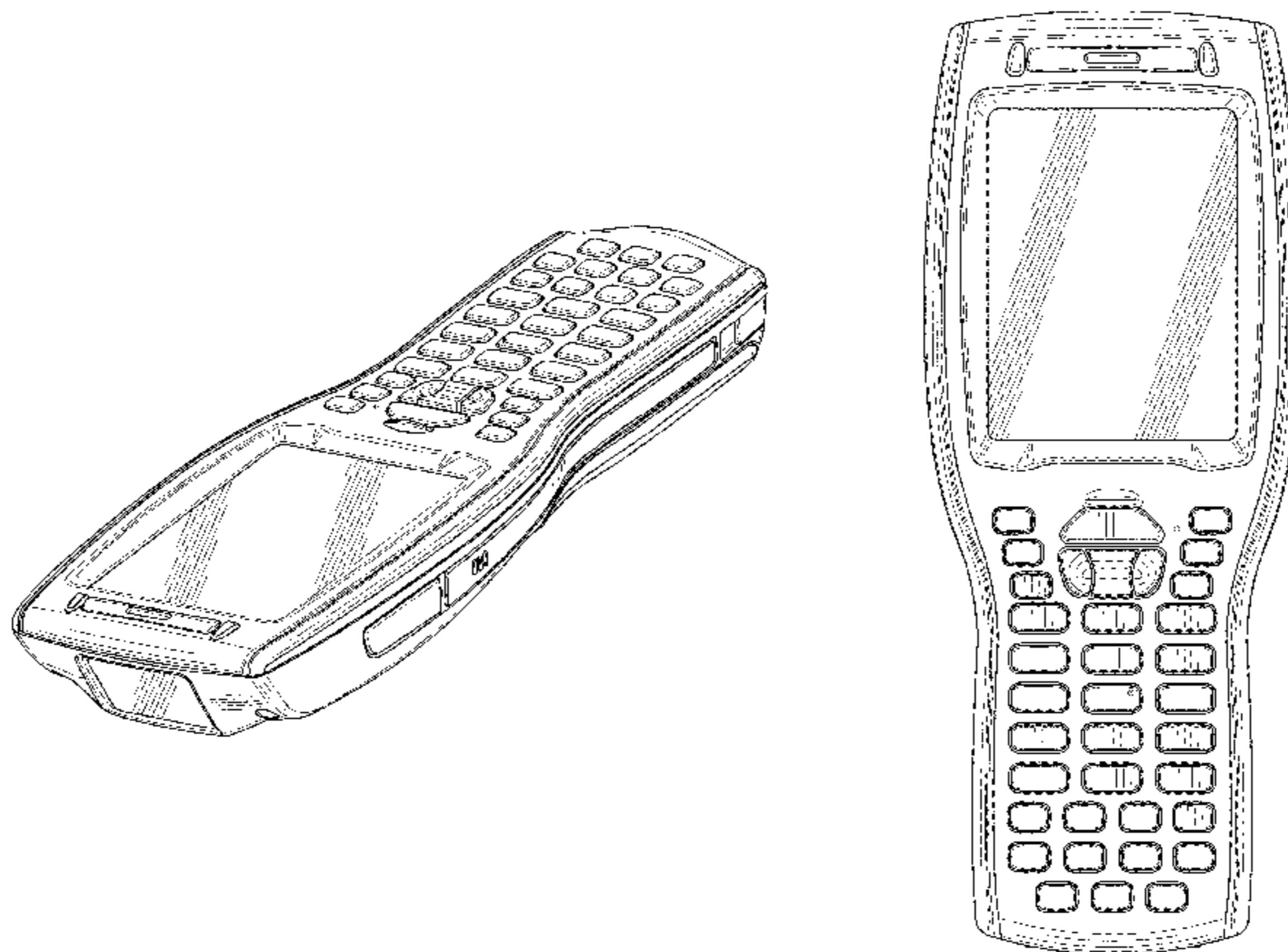
G06Q 20/203; G06Q 20/30; G06Q 20/32; G06Q 20/322; G06Q 20/4014; G06Q 10/087; H04N 1/00127; H04N 1/00135; H04N 1/00326; H04N 1/00334; H04N 1/00307; H04N 1/107; H04N 2201/0084; H04N 2101/00; H04M 1/0249; H04M 1/0262; H04M 1/0266; H04M 1/18; H04M 1/23; H04M 1/236; H04B 1/3827; H04B 1/3833; H04B 1/3877; H04B 1/3883; H04B 1/3888; H04B 2001/3894; H01M 2/1066

See application file for complete search history.

(56) **References Cited**

U.S. PATENT DOCUMENTS

7,050,009	B2 *	5/2006	Chirila	.....	H01Q 1/243 343/700 MS
D556,750	S *	12/2007	Fitch	.....	D14/346
D557,696	S *	12/2007	Conti	.....	D14/346
7,307,645	B2 *	12/2007	Forsythe	.....	G09G 3/14 345/102
7,401,162	B2 *	7/2008	Baker	.....	H04L 69/18 709/250
D611,943	S *	3/2010	Boyd	.....	D14/346
D614,626	S *	4/2010	Dai	.....	D14/426
7,712,670	B2 *	5/2010	Sauerwein, Jr.	.....	G06Q 10/083 235/383
D622,726	S *	8/2010	Alegiani	.....	D14/426
D638,422	S *	5/2011	Reed	.....	D14/347
7,992,787	B2 *	8/2011	Mangaroo	.....	H05K 5/0247 235/462.45
8,027,096	B2 *	9/2011	Feng	.....	G02B 3/14 235/454
8,079,525	B1 *	12/2011	Zolotov	.....	G06K 7/10722 235/462.04
8,098,237	B2 *	1/2012	Payne	.....	G06F 1/1626 235/462.01
D661,306	S *	6/2012	Cullen	.....	D14/426
D662,099	S *	6/2012	Cullen	.....	D14/426
8,199,489	B2 *	6/2012	Mangaroo	.....	G06F 1/1626 235/472.01
D664,145	S *	7/2012	Cullen	.....	D14/426
8,313,030	B2 *	11/2012	Zolotov	.....	G06K 7/10722 235/462.01
D673,955	S *	1/2013	Mangaroo	.....	D14/426
8,371,505	B1 *	2/2013	Zolotov	.....	G06K 7/10722 235/462.24
D677,663	S *	3/2013	Minafo	.....	D14/426
8,405,569	B2 *	3/2013	Tran	.....	H01Q 21/28 343/702



8,587,595	B2 *	11/2013	Wang	.....	G06K 7/10722	
						235/462.01
D704,711	S *	5/2014	Minafo	.....	D14/426	
D716,307	S *	10/2014	Pauffer	.....	D14/426	
2002/0193082	A1 *	12/2002	Uemura	.....	H04B 1/3883	
						455/575.1
2003/0121981	A1 *	7/2003	Slutsky	.....	G06K 7/10851	
						235/462.45
2004/0253998	A1 *	12/2004	Dunleavy	.....	H04M 1/0283	
						455/575.1
2006/0054335	A1 *	3/2006	Rapp	.....	G01G 21/283	
						174/481
2006/0054704	A1 *	3/2006	Fitch	.....	G06F 1/1626	
						235/472.01
2008/0006699	A1 *	1/2008	Hattersley	.....	G06K 7/10881	
						235/472.01
2008/0203167	A1 *	8/2008	Soule	.....	G06F 8/63	
						235/462.01
2008/0297479	A1 *	12/2008	Yeh	.....	G06F 1/1626	
						345/169
2009/0093229	A1 *	4/2009	Grunow	.....	H04M 1/72541	
						455/404.2
2009/0168337	A1 *	7/2009	Conti	.....	G06F 1/1626	
						361/679.56
2009/0270136	A1 *	10/2009	Su	.....	H01M 2/1066	
						455/572
2010/0020488	A1 *	1/2010	Mangaroo	.....	H04M 1/0279	
						361/679.55
2011/0264882	A1 *	10/2011	Scott	.....	G06F 12/1425	
						711/163
2012/0118969	A1 *	5/2012	Zolotov	.....	G06K 7/1478	
						235/462.04
2012/0298753	A1 *	11/2012	Zolotov	.....	G06K 7/10722	
						235/462.04
2012/0312877	A1 *	12/2012	Zolotov	.....	G06K 7/10722	
						235/462.04
2013/0341399	A1 *	12/2013	Xian	.....	G06K 7/1098	
						235/449
2014/0185234	A1 *	7/2014	Lee	.....	H04M 1/0249	
						361/679.56
2014/0217180	A1 *	8/2014	Liu	.....	E05B 73/0005	
						235/472.01

\* cited by examiner

Primary Examiner — Susan Moon Lee  
 (74) Attorney, Agent, or Firm — Additon, Higgins & Pendleton, P.A.

(57)

**CLAIM**

The ornamental design for a mobile computer housing, as shown and described.

**DESCRIPTION**

FIG. 1 is a front perspective view of a first embodiment of the mobile computer housing.  
 FIG. 2 is a front elevation view of the first embodiment of the mobile computer housing.  
 FIG. 3 is a rear elevation view of the first embodiment of the mobile computer housing.  
 FIG. 4 is a top plan view of the first embodiment of the mobile computer housing.  
 FIG. 5 is a bottom plan view of the first embodiment of the mobile computer housing.  
 FIG. 6 is a right side elevation view of the first embodiment of the mobile computer housing.  
 FIG. 7 is a left side elevation view of the first embodiment of the mobile computer housing.  
 FIG. 8 is a front perspective view of a second embodiment of the mobile computer housing.  
 FIG. 9 is a front elevation view of the second embodiment of the mobile computer housing.  
 FIG. 10 is a rear elevation view of the second embodiment of the mobile computer housing.  
 FIG. 11 is a top plan view of the second embodiment of the mobile computer housing.  
 FIG. 12 is a bottom plan view of the second embodiment of the mobile computer housing.  
 FIG. 13 is a right side elevation view of the second embodiment of the mobile computer housing; and,  
 FIG. 14 is a left side elevation view of the second embodiment of the mobile computer housing.  
 Broken lines and unshaded portions contained within broken lines depict parts of the mobile computer housing that form no part of the claimed design.

**1 Claim, 14 Drawing Sheets**



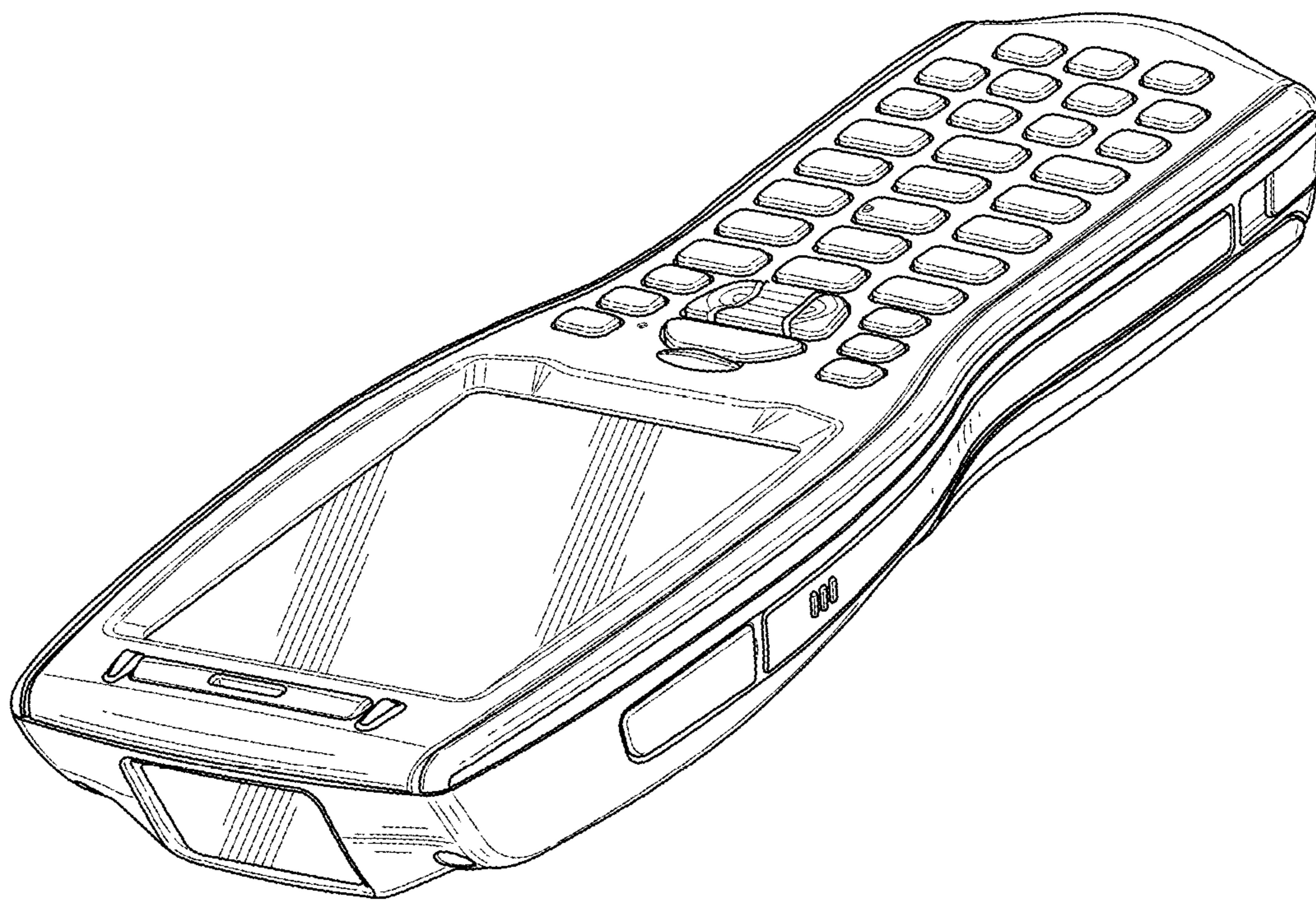


FIG. 1

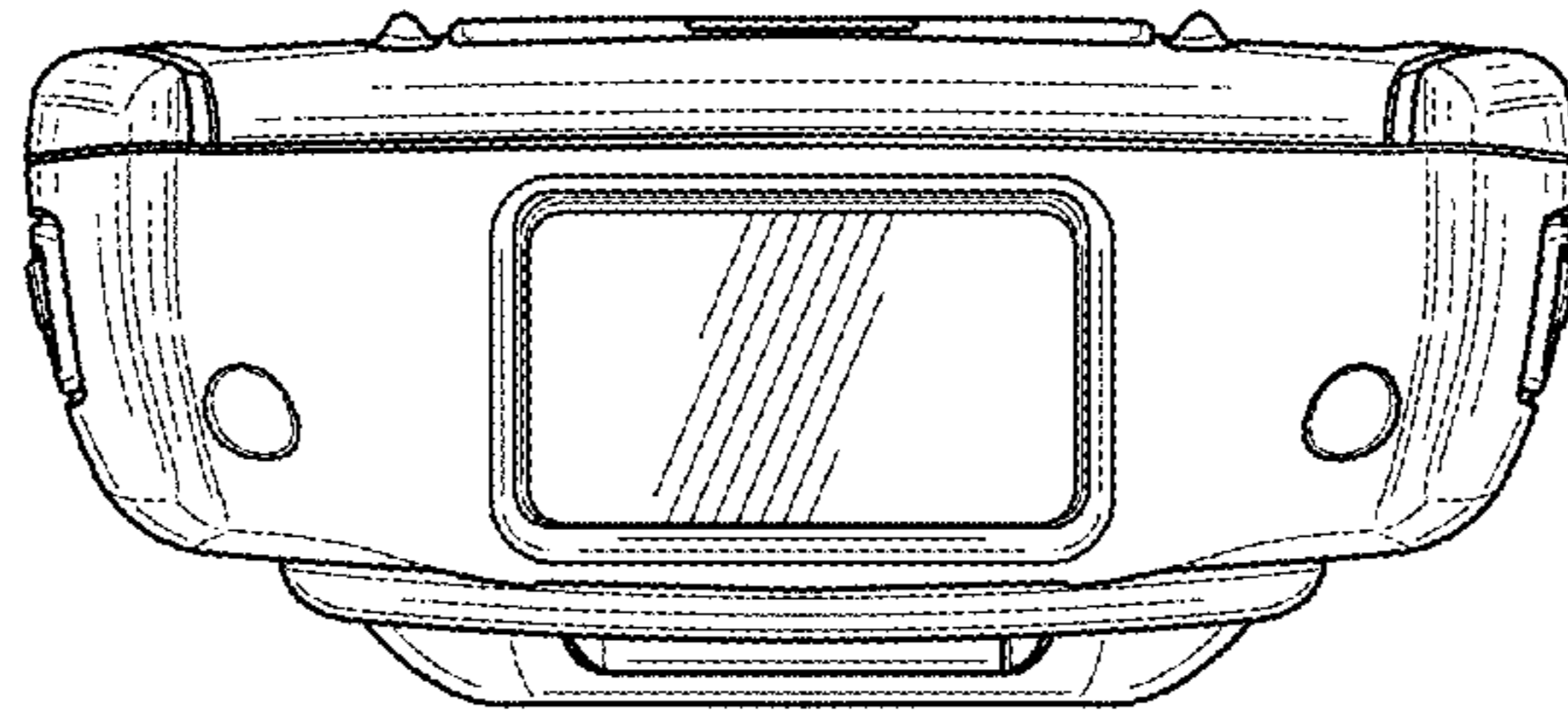


FIG. 2

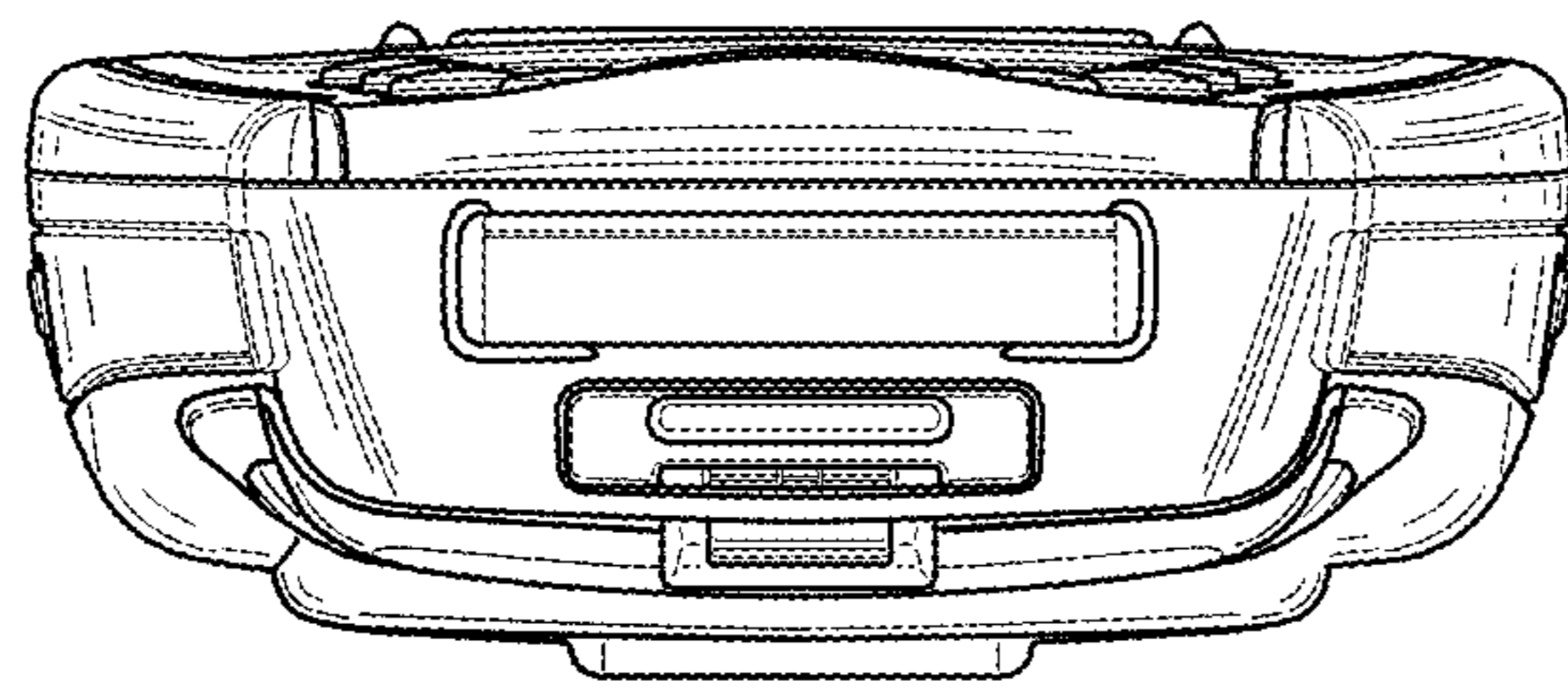


FIG. 3

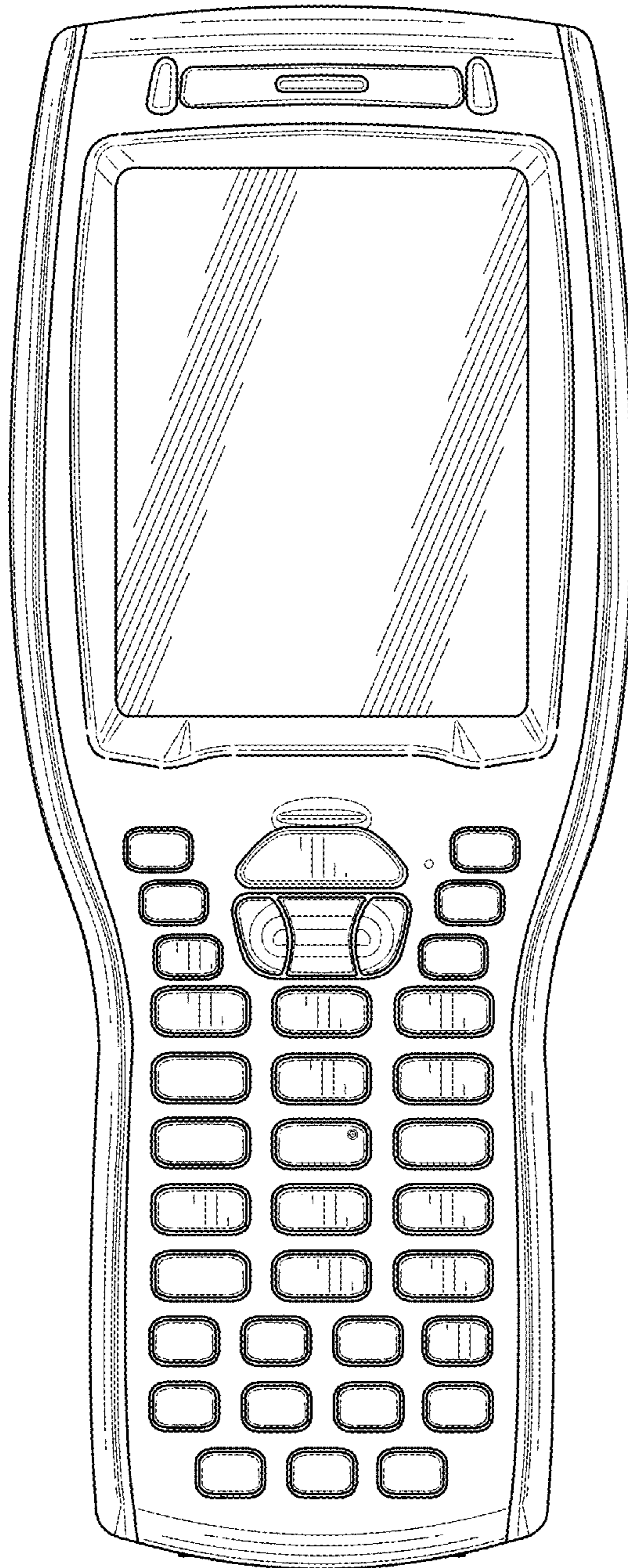


FIG. 4

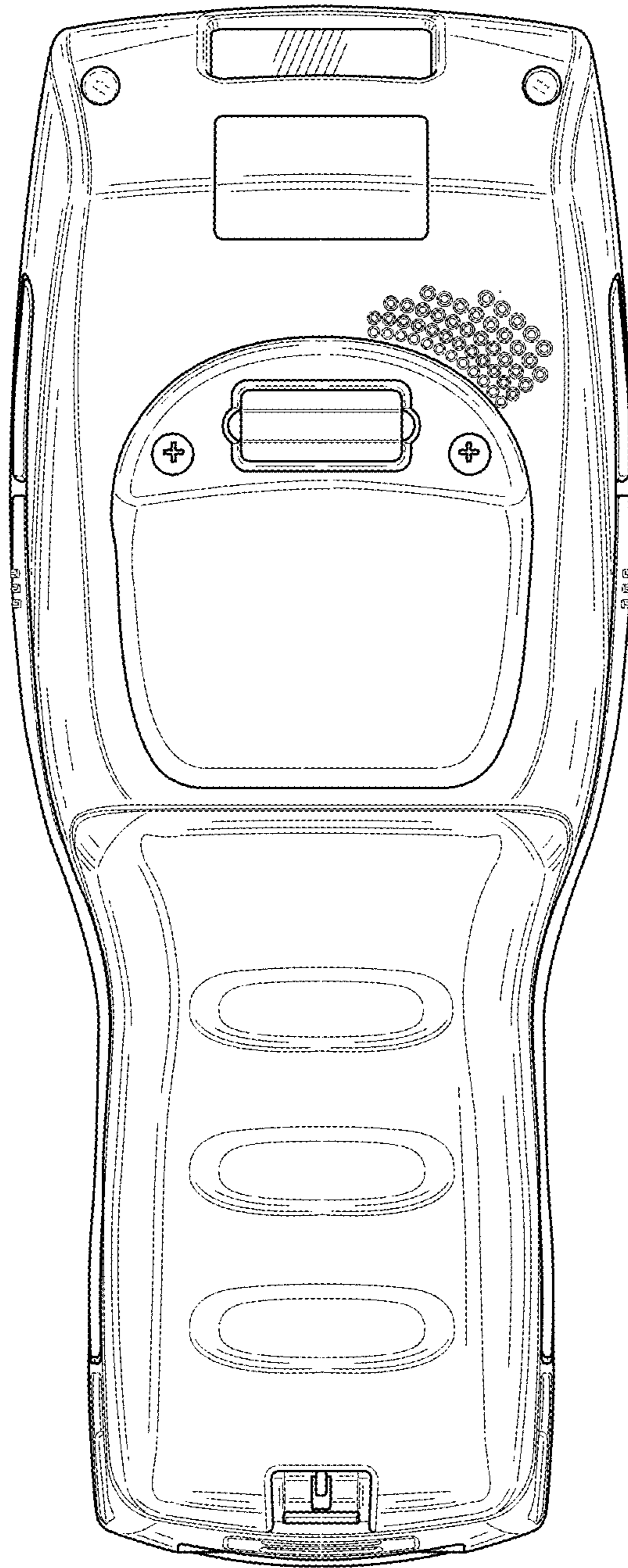


FIG. 5



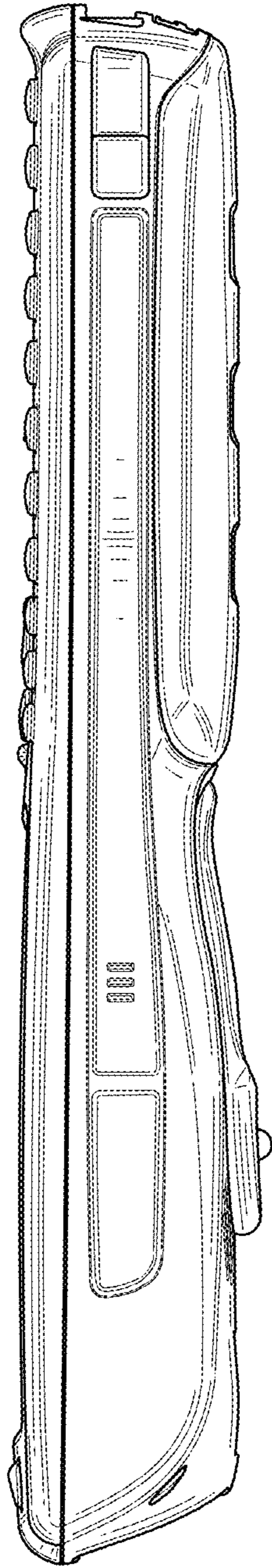


FIG. 6



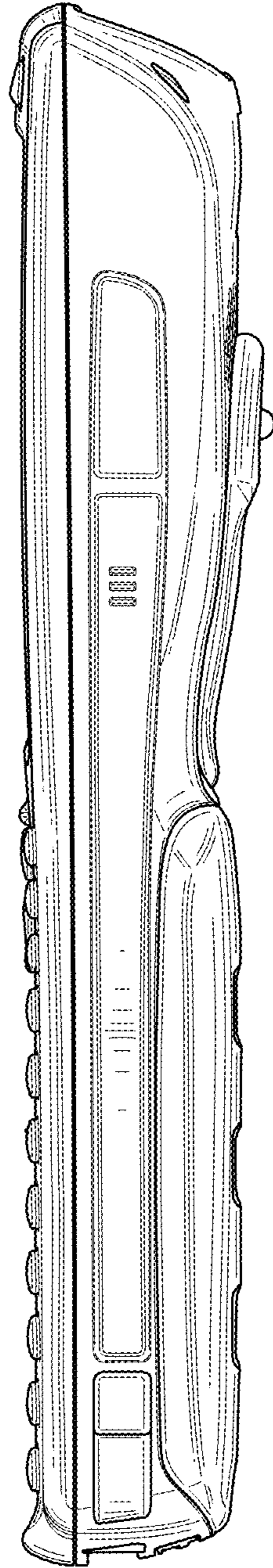


FIG. 7

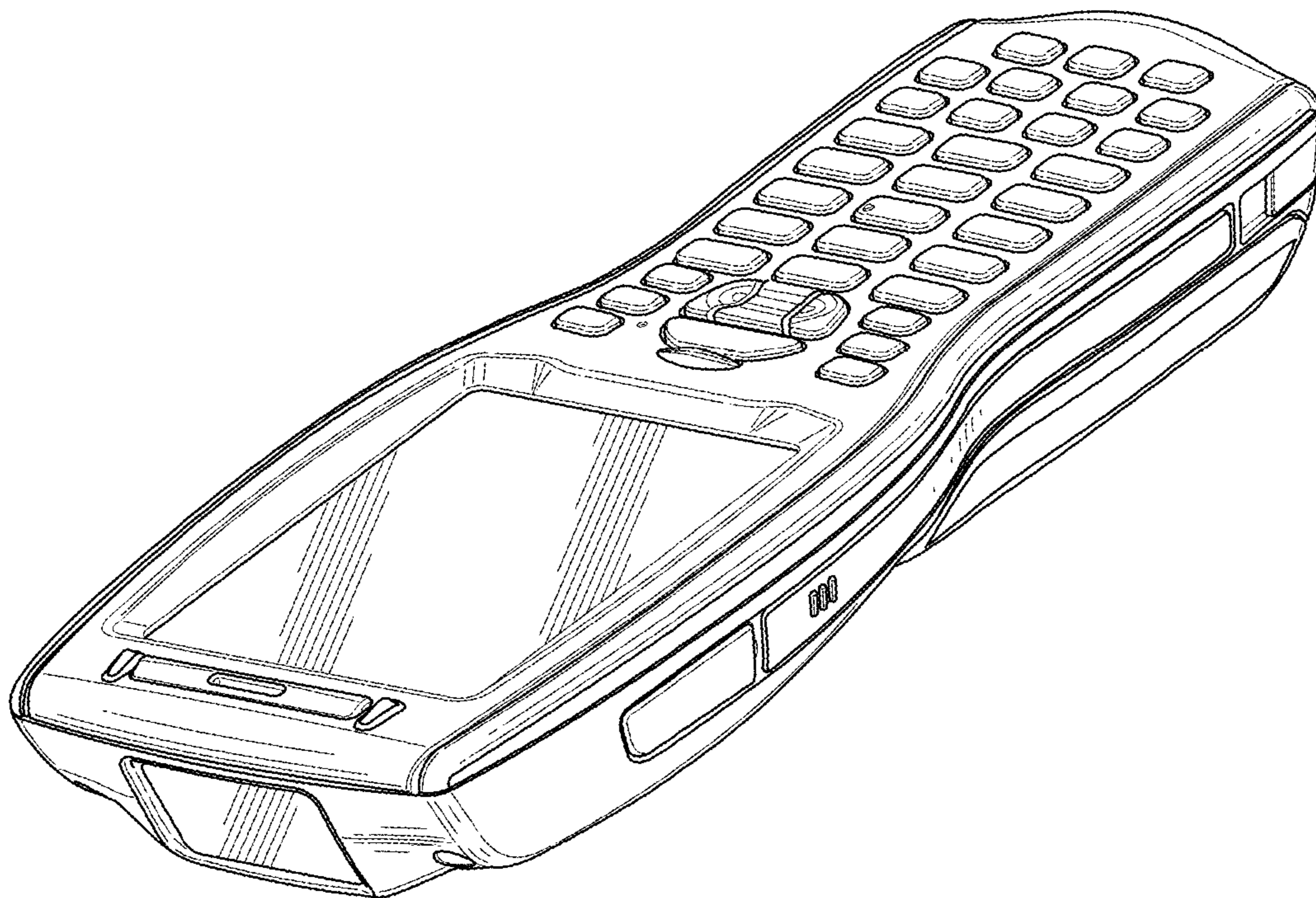


FIG. 8

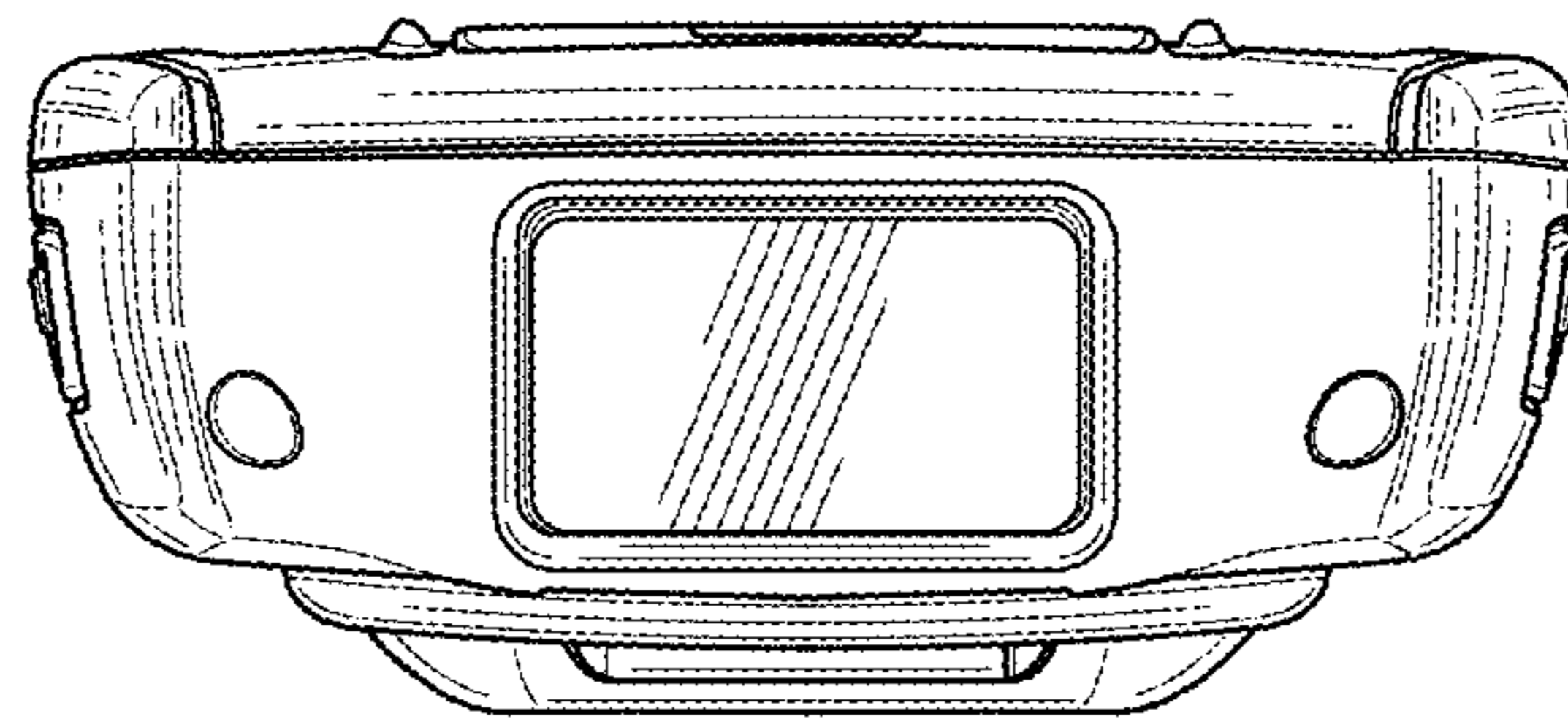


FIG. 9

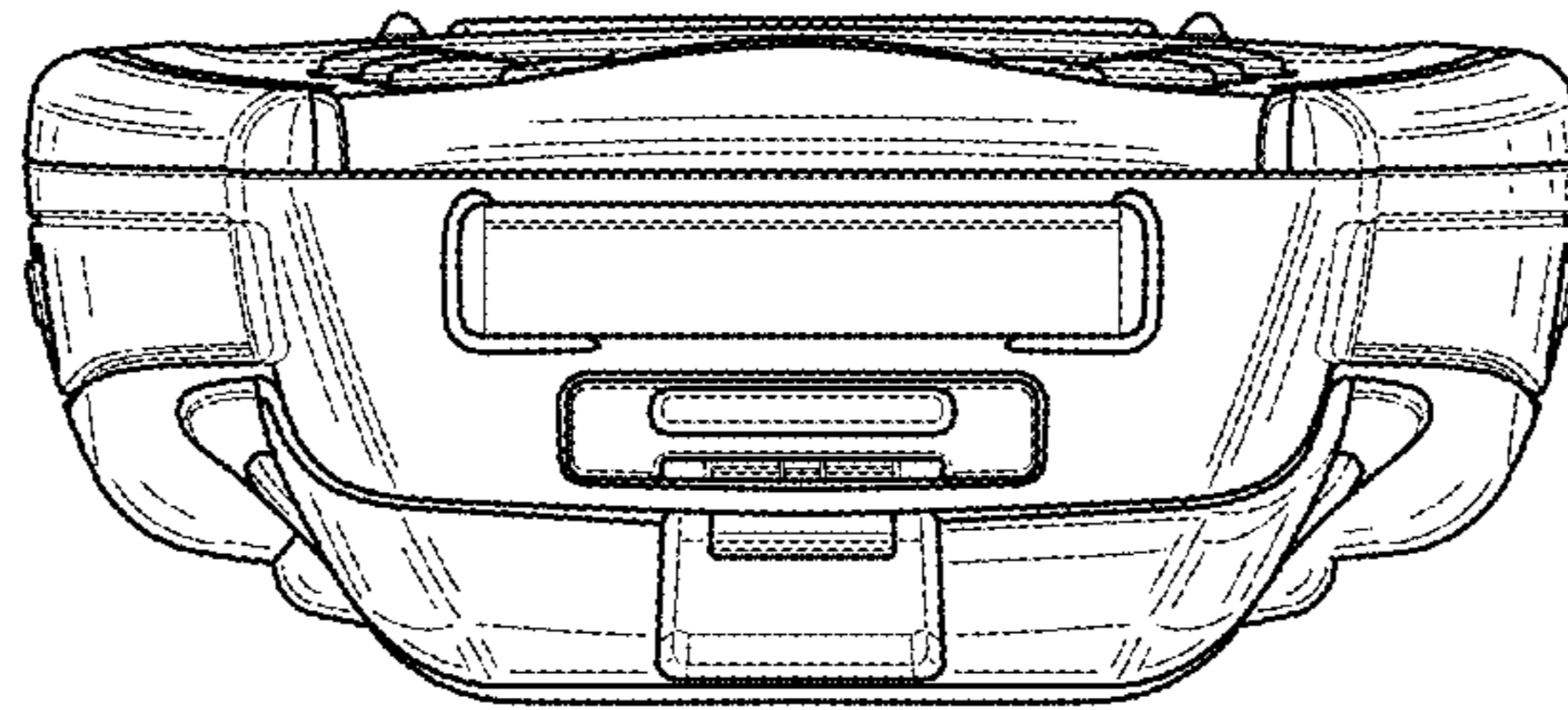


FIG. 10



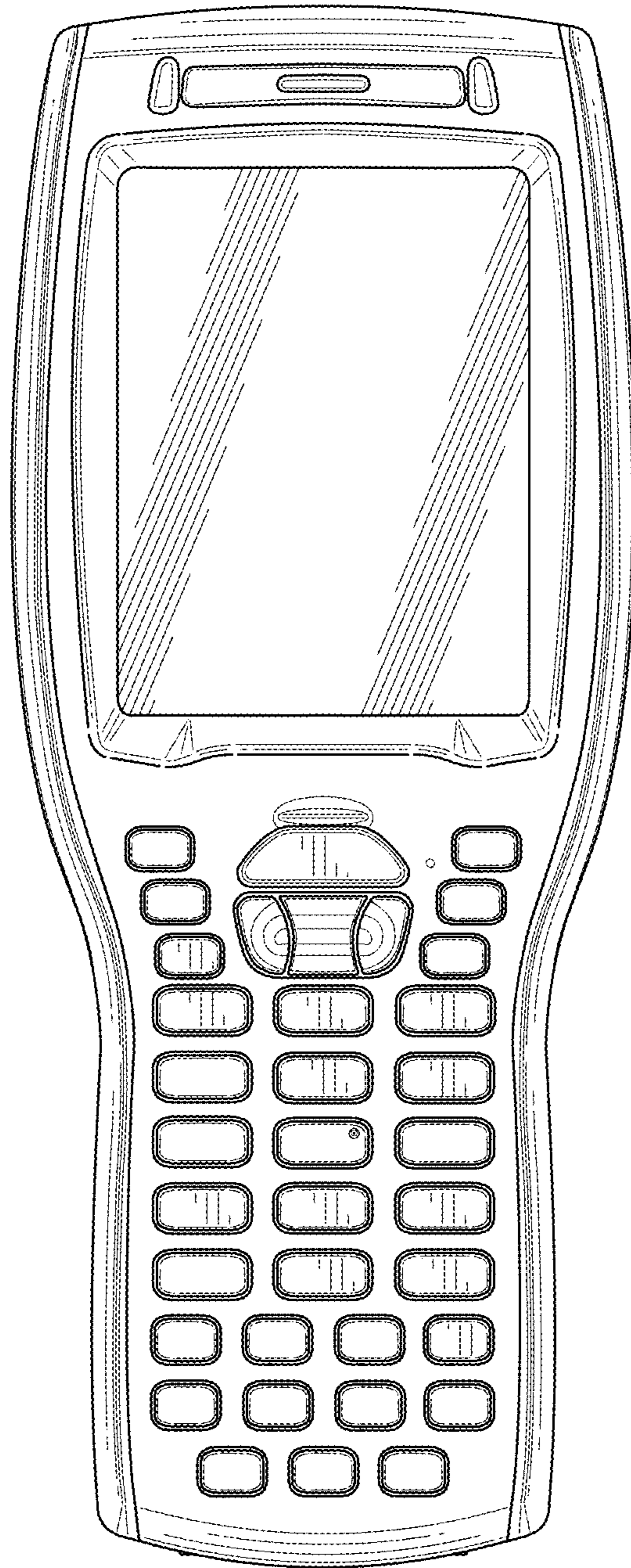


FIG. 11

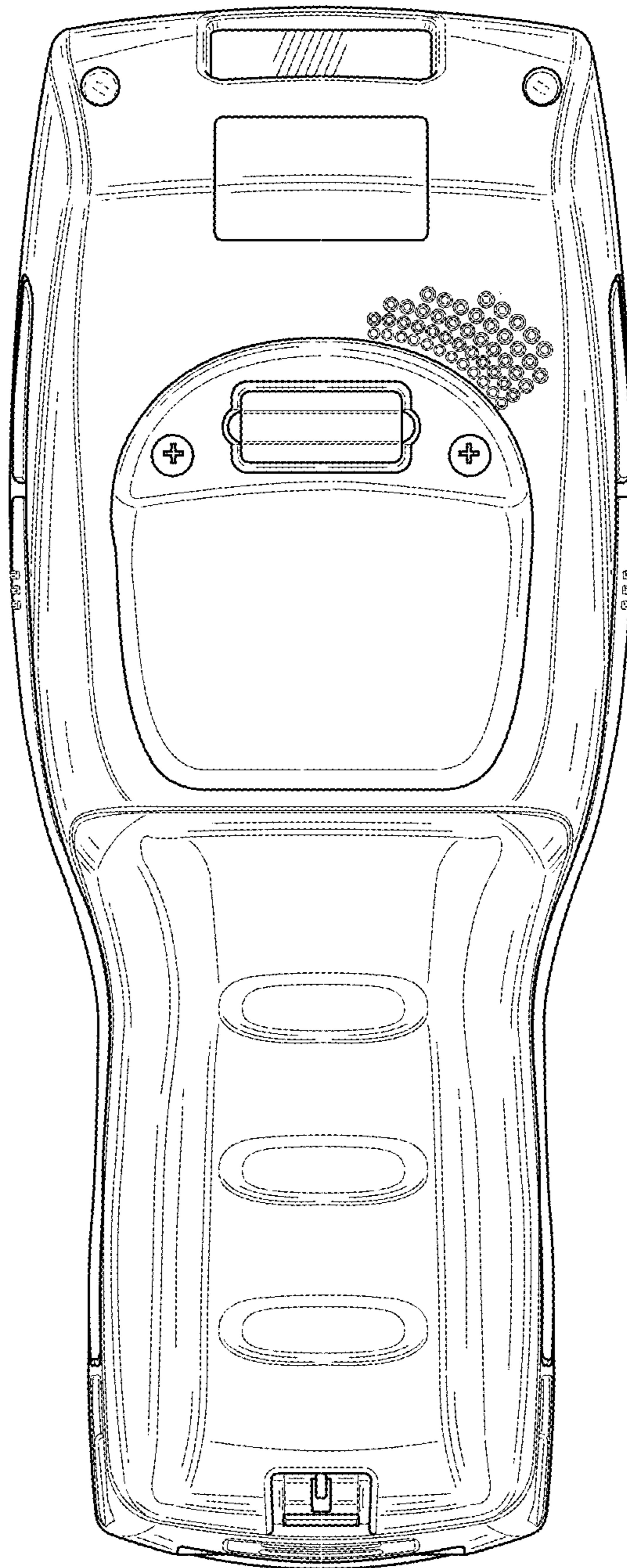


FIG. 12

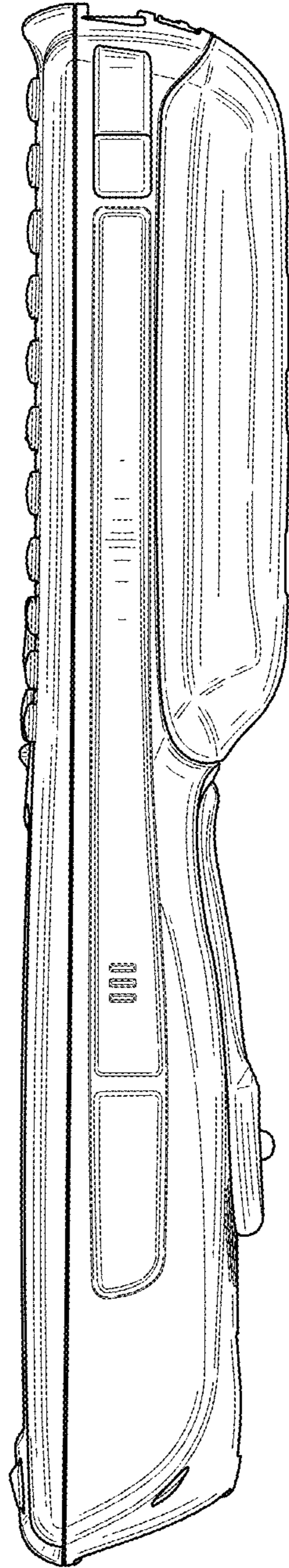


FIG. 13

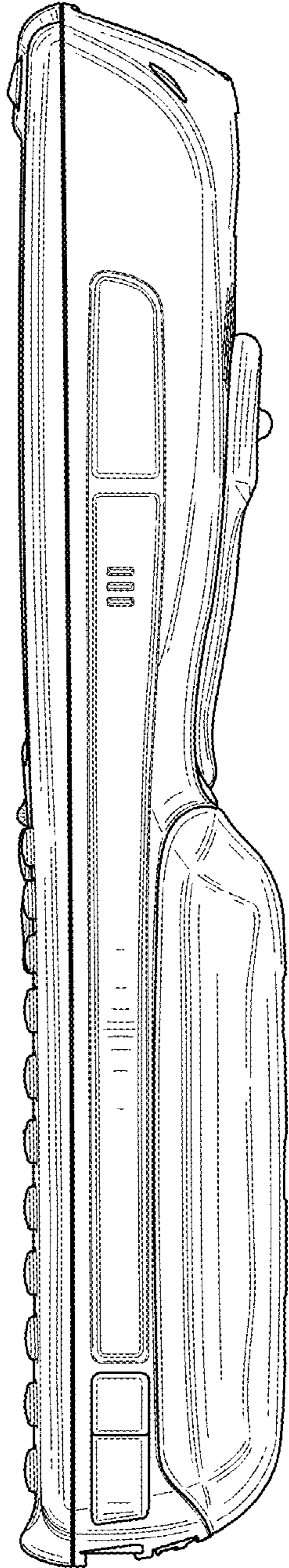


FIG. 14