



US00D771630S

(12) **United States Design Patent** (10) **Patent No.:** **US D771,630 S**
Akana et al. (45) **Date of Patent:** **** *Nov. 15, 2016**

(54) **STYLUS**

(71) Applicant: **Apple Inc.**, Cupertino, CA (US)

(72) Inventors: **Jody Akana**, San Francisco, CA (US); **Molly Anderson**, San Francisco, CA (US); **Bartley K. Andre**, Palo Alto, CA (US); **Shota Aoyagi**, San Francisco, CA (US); **Anthony Michael Ashcroft**, San Francisco, CA (US); **Jeremy Bataillou**, San Francisco, CA (US); **Daniel J. Coster**, San Francisco, CA (US); **Daniele De Iuliis**, San Francisco, CA (US); **M. Evans Hankey**, San Francisco, CA (US); **Julian Hoenig**, San Francisco, CA (US); **Richard P. Howarth**, San Francisco, CA (US); **Jonathan P. Ive**, San Francisco, CA (US); **Duncan Robert Kerr**, San Francisco, CA (US); **Matthew Dean Rohrbach**, San Francisco, CA (US); **Peter Russell-Clarke**, San Francisco, CA (US); **Benjamin Andrew Shaffer**, San Jose, CA (US); **Mikael Silvano**, San Francisco, CA (US); **Christopher J. Stringer**, Woodside, CA (US); **Eugene Antony Whang**, San Francisco, CA (US); **Rico Zörkendörfer**, San Francisco, CA (US)

(73) Assignee: **Apple Inc.**, Cupertino, CA (US)

(*) Notice: This patent is subject to a terminal disclaimer.

(**) Term: **15 Years**

(21) Appl. No.: **29/538,663**

(22) Filed: **Sep. 4, 2015**

(51) **LOC (10) Cl.** **07-05**

(52) **U.S. Cl.**
USPC **D14/411**

(58) **Field of Classification Search**

USPC D14/372, 496, 432, 371, 125, 126, 129, D14/299, 411; D16/300-342; 351/158, 153, 351/144; 345/7-9, 905; 455/344; 348/115, 348/53, 121, 739

CPC G02B 27/017; G06F 3/016; G06F 3/033; G06F 3/0317; G06F 3/03545; G06F 3/041; G06K 9/222

See application file for complete search history.

(56) **References Cited**

U.S. PATENT DOCUMENTS

D352,703 S	11/1994	Mitcham et al.	
5,747,748 A	5/1998	Zigler	
D487,746 S	3/2004	Fitch	
D544,484 S	6/2007	Hussaini	
D614,622 S *	4/2010	Nakata	D14/411
D614,623 S *	4/2010	Crisp	D14/411

(Continued)

OTHER PUBLICATIONS

Adonit Styluses, <<http://www.adonit.net/jot/>>, available at least as early as Sep. 4, 2015.

(Continued)

Primary Examiner — Austin Murphy

(74) *Attorney, Agent, or Firm* — Saidman DesignLaw Group, LLC

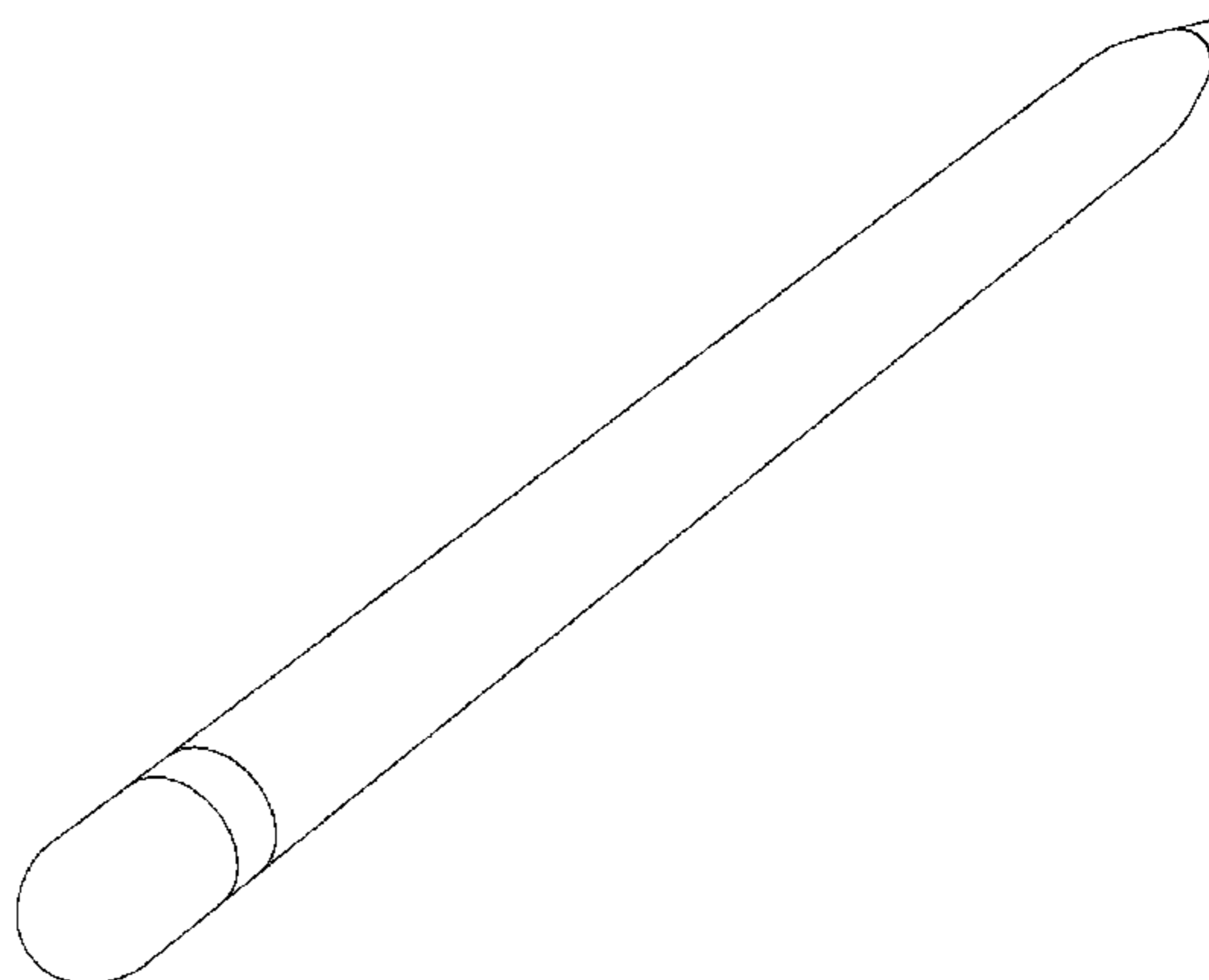
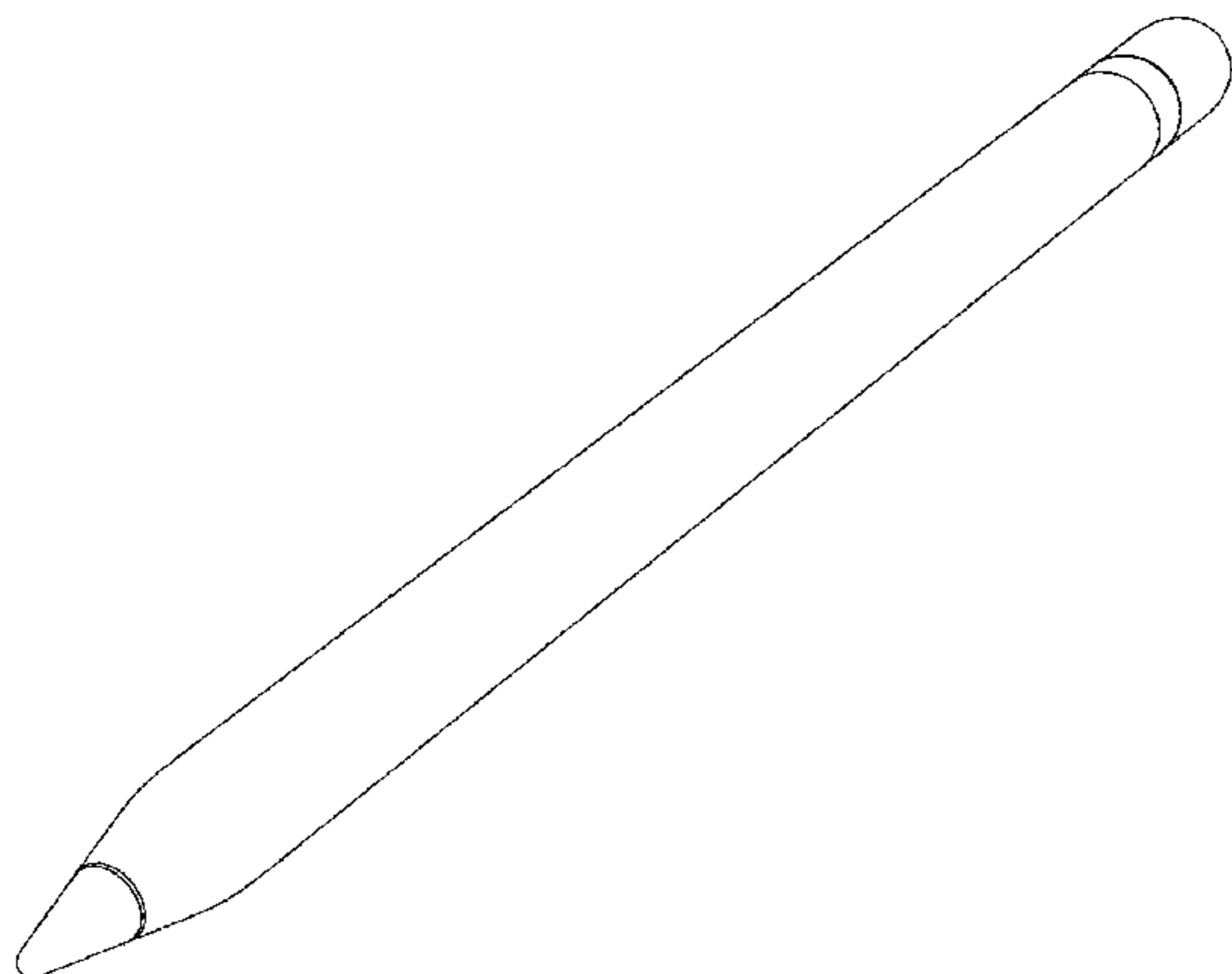
(57) **CLAIM**

The ornamental design for a stylus, as shown and described.

DESCRIPTION

FIG. 1 is a perspective view of a stylus showing our new design;
FIG. 2 is another perspective view thereof;
FIG. 3 is a top view thereof;
FIG. 4 is a front view thereof; and,
FIG. 5 is a rear view thereof.

1 Claim, 2 Drawing Sheets



(56)

References Cited

U.S. PATENT DOCUMENTS

D617,328 S * 6/2010 Nakata D14/411
D669,898 S * 10/2012 Nakata D14/411
D670,700 S * 11/2012 Halsinger D14/411
D680,114 S 4/2013 Hashi
D681,037 S 4/2013 Hashi
D682,833 S * 5/2013 Paschke D14/411
D699,723 S * 2/2014 Nishizawa D14/411
D710,854 S * 8/2014 Huang D14/411
D717,301 S * 11/2014 Groene D14/411
D717,302 S 11/2014 DeSerio
D720,349 S 12/2014 Comerford
D724,086 S * 3/2015 Schoenert D14/411

D724,087 S 3/2015 Sakatsume
D727,325 S * 4/2015 Spector D14/411
D744,486 S 12/2015 Arai
D750,630 S * 3/2016 Nishizawa D14/411
9,298,285 B2 3/2016 Mohindra
D754,661 S * 4/2016 Nishizawa D14/411

OTHER PUBLICATIONS

U.S. Appl. No. 29/538,660 to Akana et al., titled "Stylus", filed Sep. 4, 2015 (unpublished).
U.S. Appl. No. 29/538,860 to Akana et al., titled "Stylus Tip", filed Sep. 9, 2015 (unpublished).

* cited by examiner

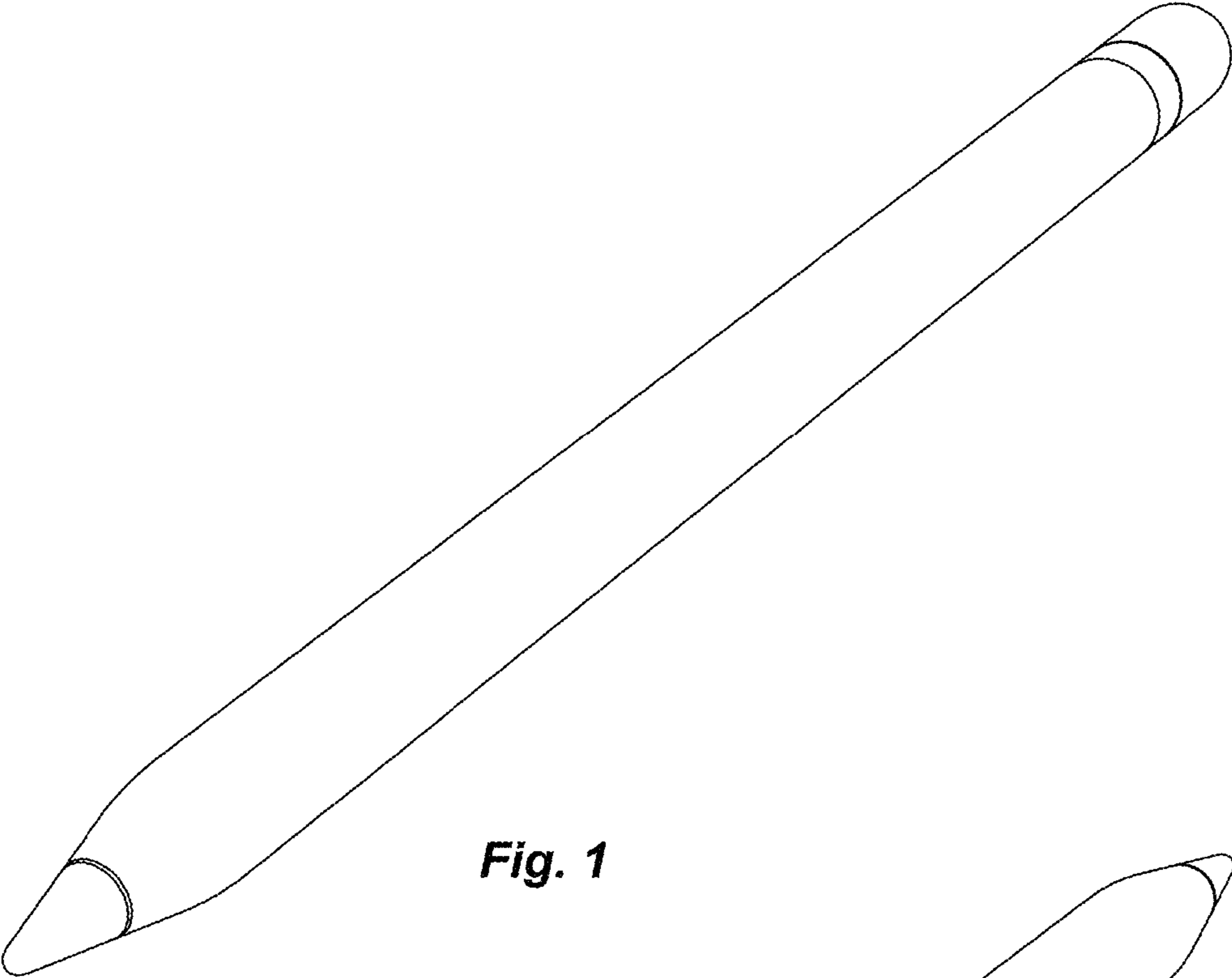


Fig. 1

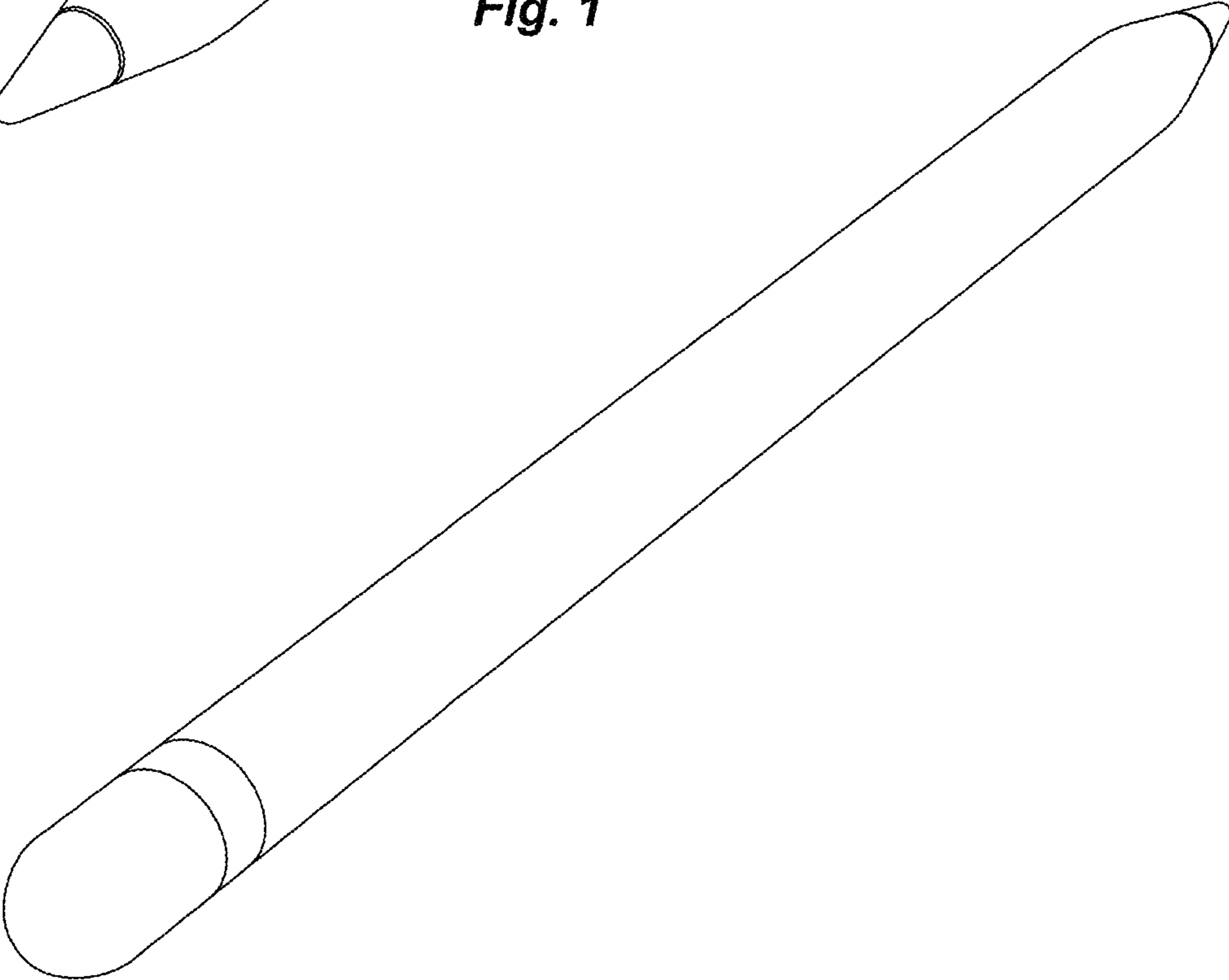


Fig. 2

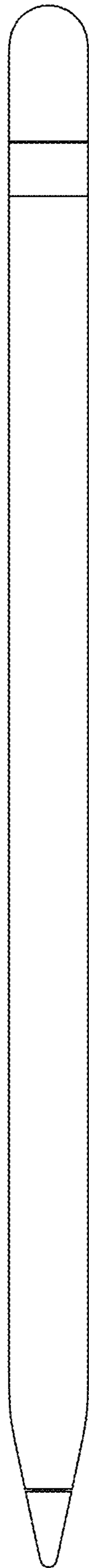


Fig. 3

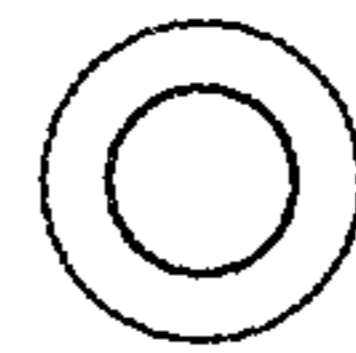


Fig. 4

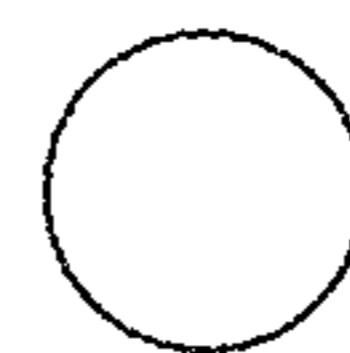


Fig. 5