



US00D771626S

(12) **United States Design Patent** (10) **Patent No.:** **US D771,626 S**
Ko (45) **Date of Patent:** **** Nov. 15, 2016**

(54) **HEAD MOUNTED DISPLAY**
(71) Applicant: **AmTRAN TECHNOLOGY CO., LTD**, New Taipei (TW)
(72) Inventor: **Hui-An Ko**, New Taipei (TW)
(73) Assignee: **AMTRAN TECHNOLOGY CO., LTD**, New Taipei (TW)

(**) Term: **15 Years**
(21) Appl. No.: **29/549,479**
(22) Filed: **Dec. 22, 2015**
(51) **LOC (10) Cl.** **14-02**
(52) **U.S. Cl.**
USPC **D14/372**
(58) **Field of Classification Search**
USPC D14/372, 496, 432, 371, 125, 126, 129, D14/299; D16/300-342; 351/158, 153, 144; 345/7-9, 905; 455/344; 348/115, 53, 348/121, 739
CPC G02B 27/017; G02B 27/0158; G02B 27/0161; G02B 27/0181; G02B 27/0185; G02B 27/0189
See application file for complete search history.

(56) **References Cited**
U.S. PATENT DOCUMENTS
D732,028 S * 6/2015 Kim D14/372
D741,327 S * 10/2015 Reznik D14/372
D749,580 S * 2/2016 Kim D14/372
D750,074 S * 2/2016 Coz D14/372

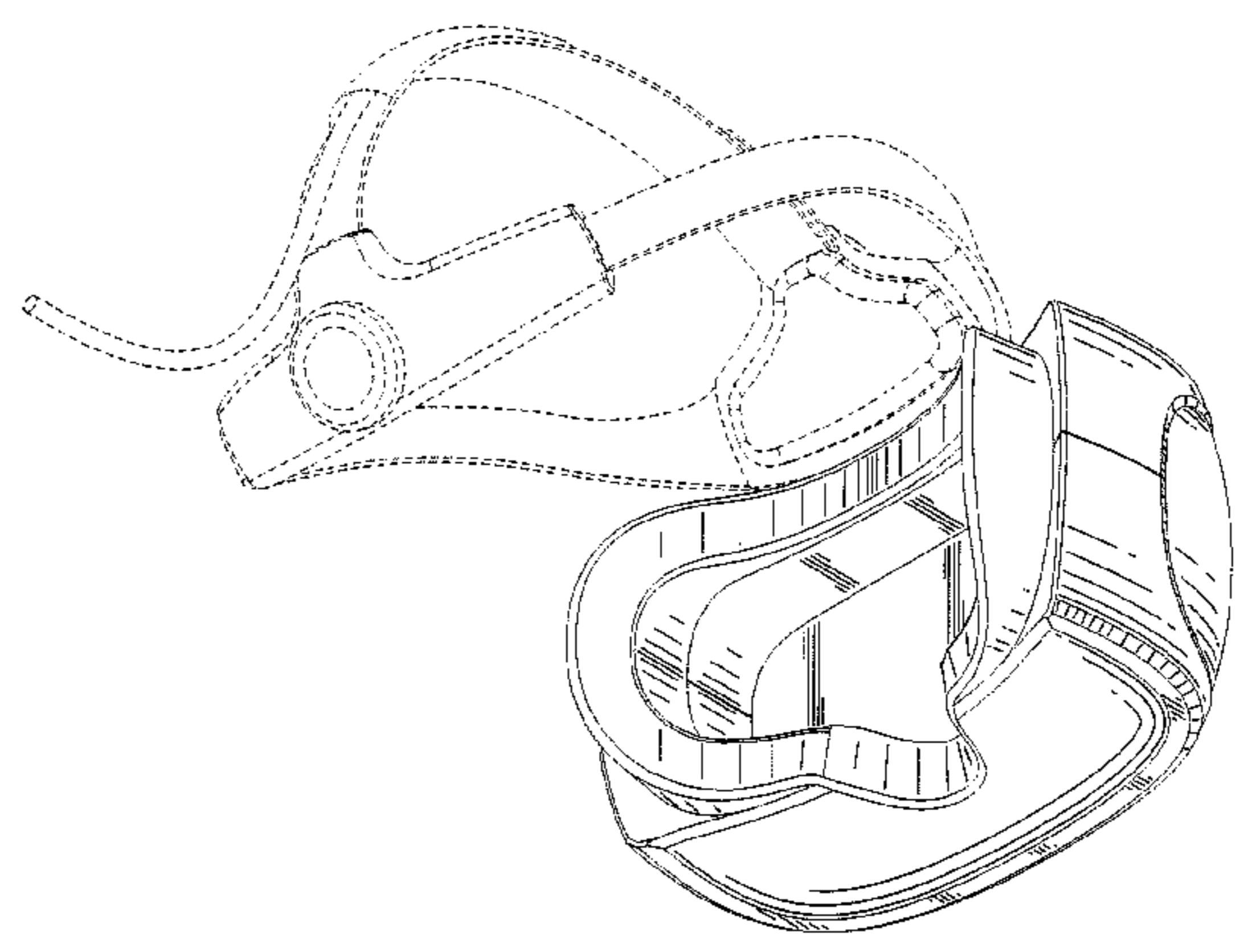
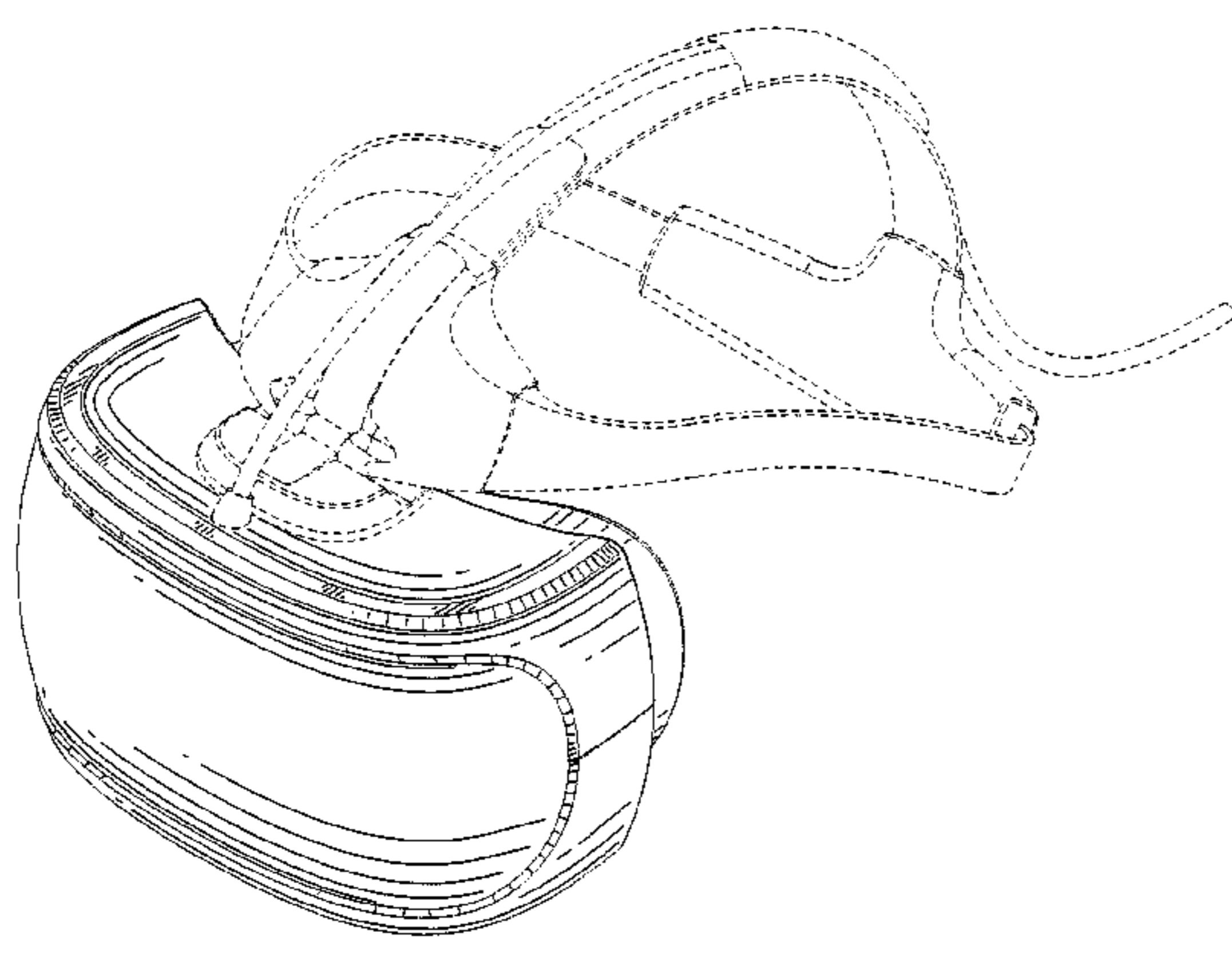
D752,680 S * 3/2016 Kim D14/372
D753,111 S * 4/2016 Fei D14/372
D753,113 S * 4/2016 Fei D14/372
D757,003 S * 5/2016 Goossens D14/372
D758,367 S * 6/2016 Natsume D14/372
D759,654 S * 6/2016 Sullivan D14/372
D761,258 S * 7/2016 Zellweger D14/372
D761,259 S * 7/2016 Tada D14/372
D763,256 S * 8/2016 Zellweger D14/372

* cited by examiner
Primary Examiner — Austin Murphy
(74) *Attorney, Agent, or Firm* — Muncy, Geissler, Olds & Lowe, P.C.

(57) **CLAIM**
The ornamental design for a “head mounted display,” as shown and described.

DESCRIPTION
FIG. 1 is a top front right perspective view of a head mounted display showing our new design;
FIG. 2 is top rear left perspective view thereof;
FIG. 3 is bottom rear left perspective view thereof;
FIG. 4 is a front view thereof;
FIG. 5 is a rear view thereof;
FIG. 6 is a left side elevational view thereof;
FIG. 7 is a right side elevational view thereof;
FIG. 8 is a top view thereof; and,
FIG. 9 is a bottom view thereof.
The dashed lines in the figures depict portions of the head mounted display that form no part of the claimed design.

1 Claim, 9 Drawing Sheets



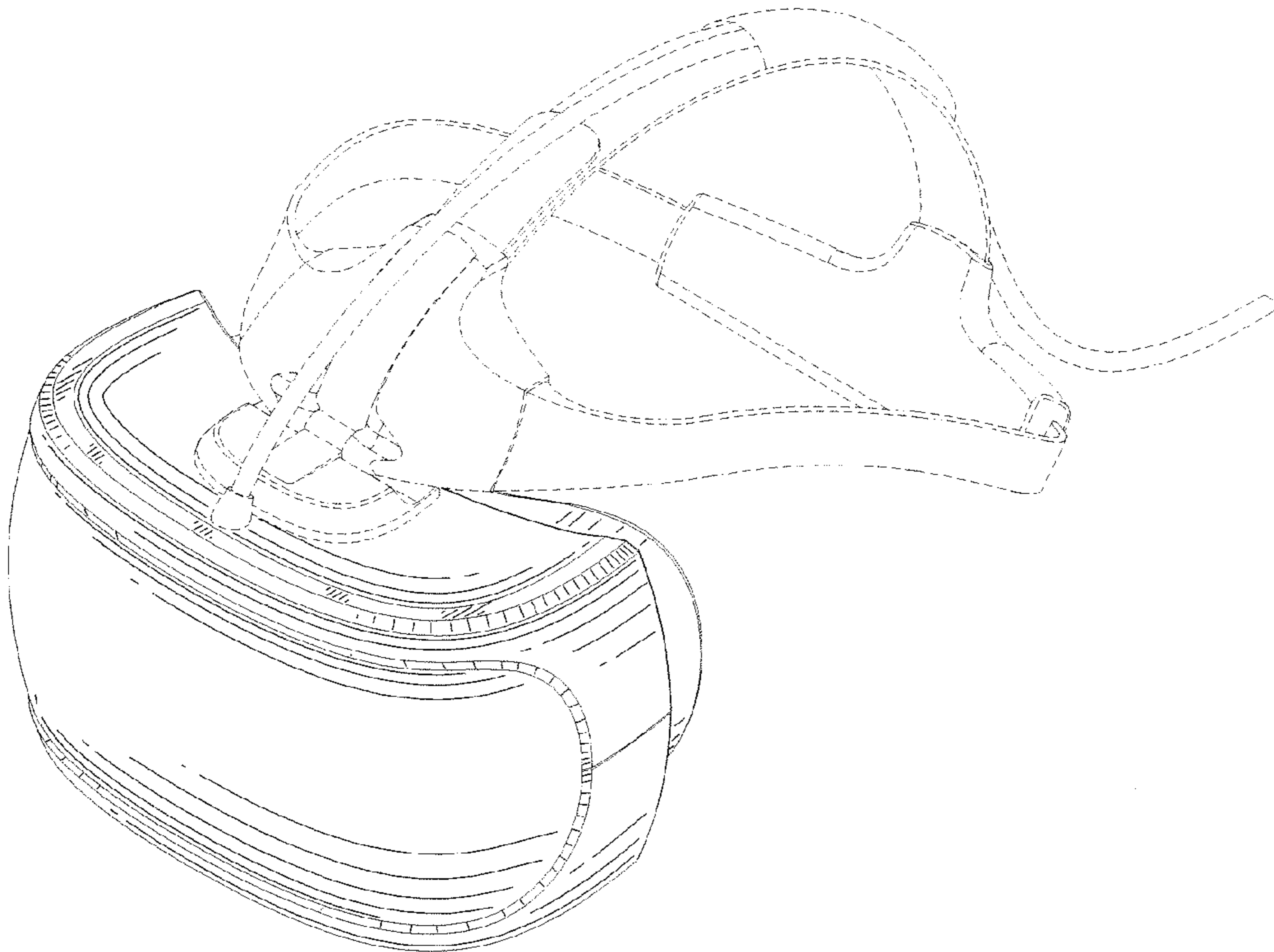


FIG. 1

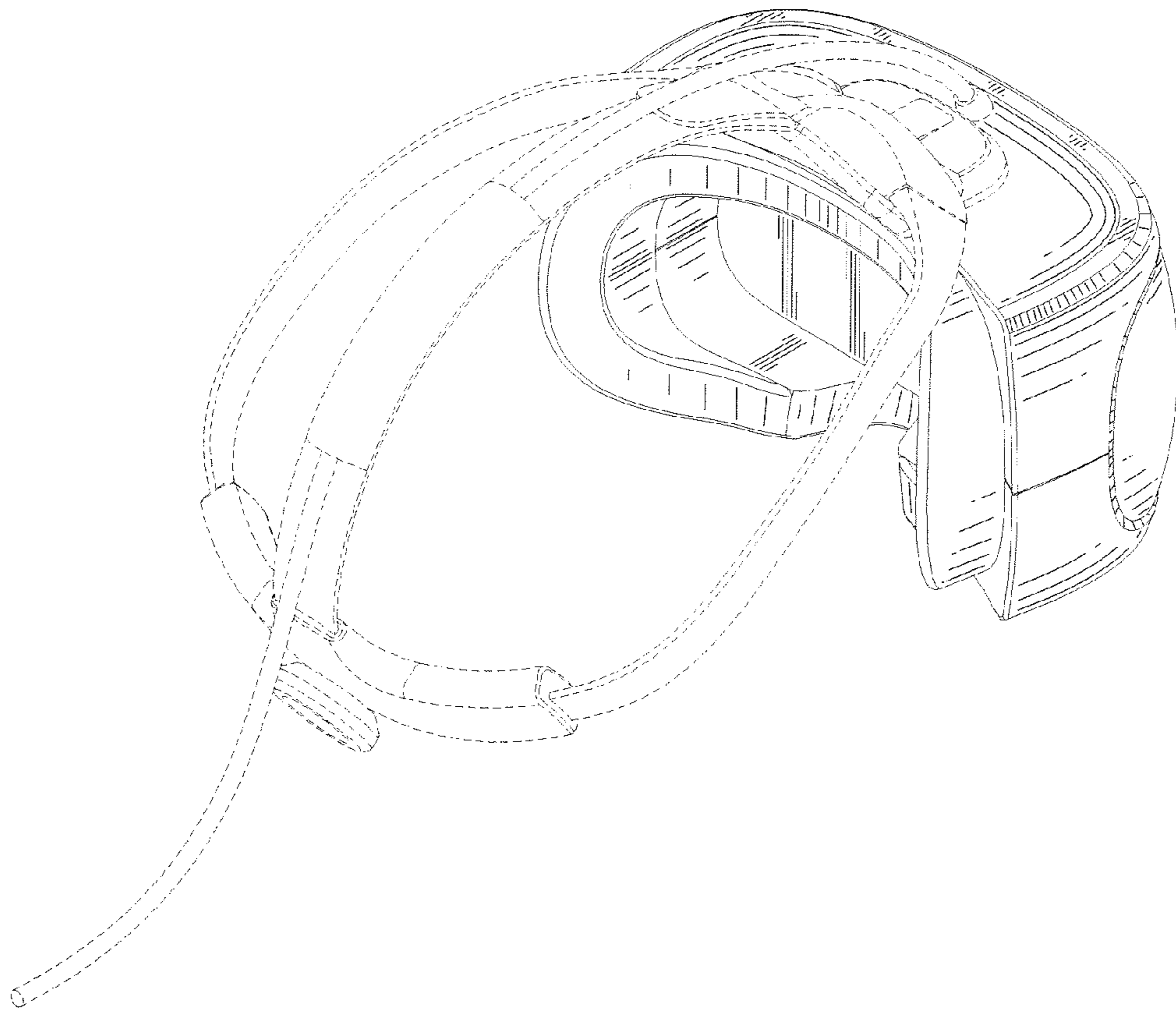


FIG. 2

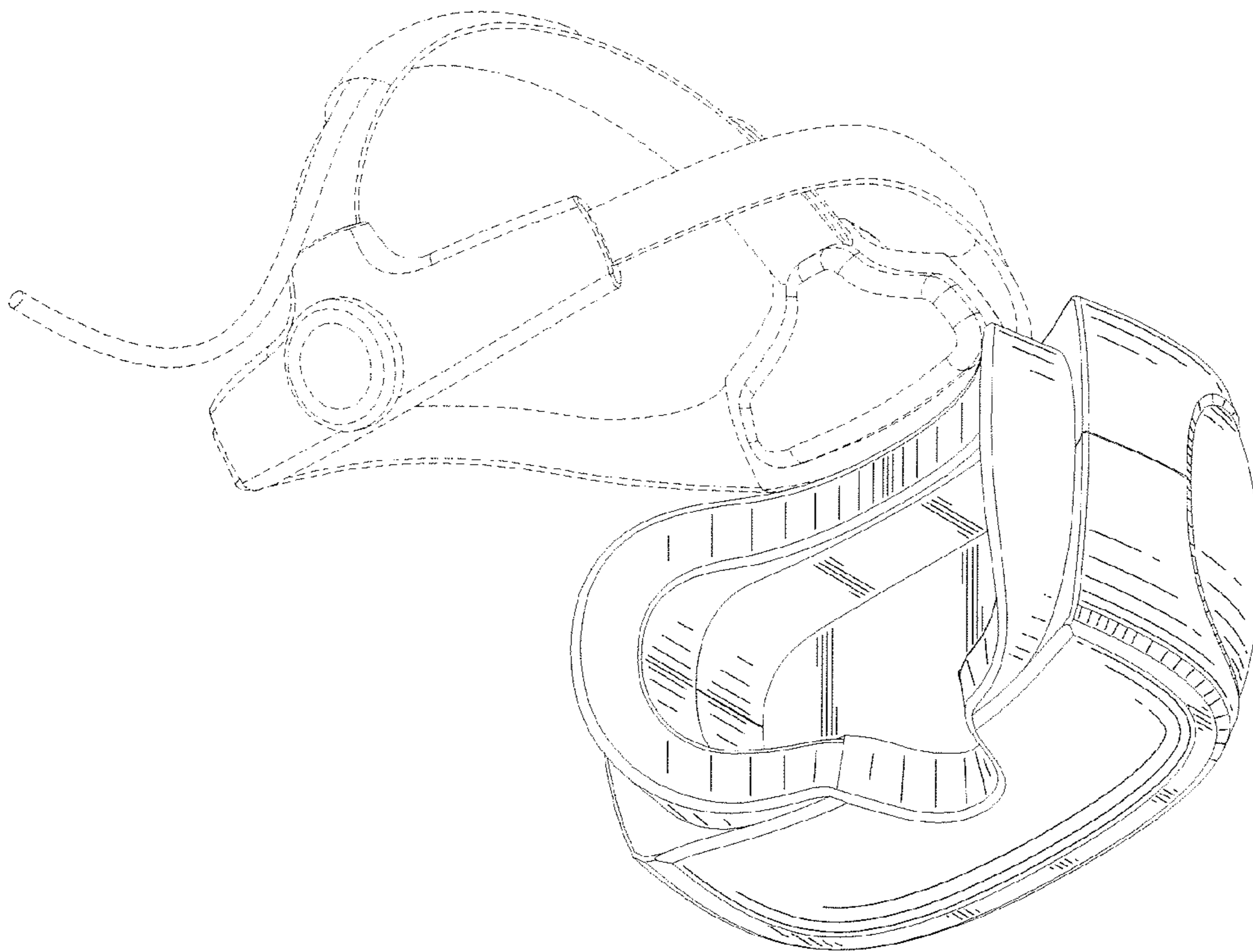


FIG. 3

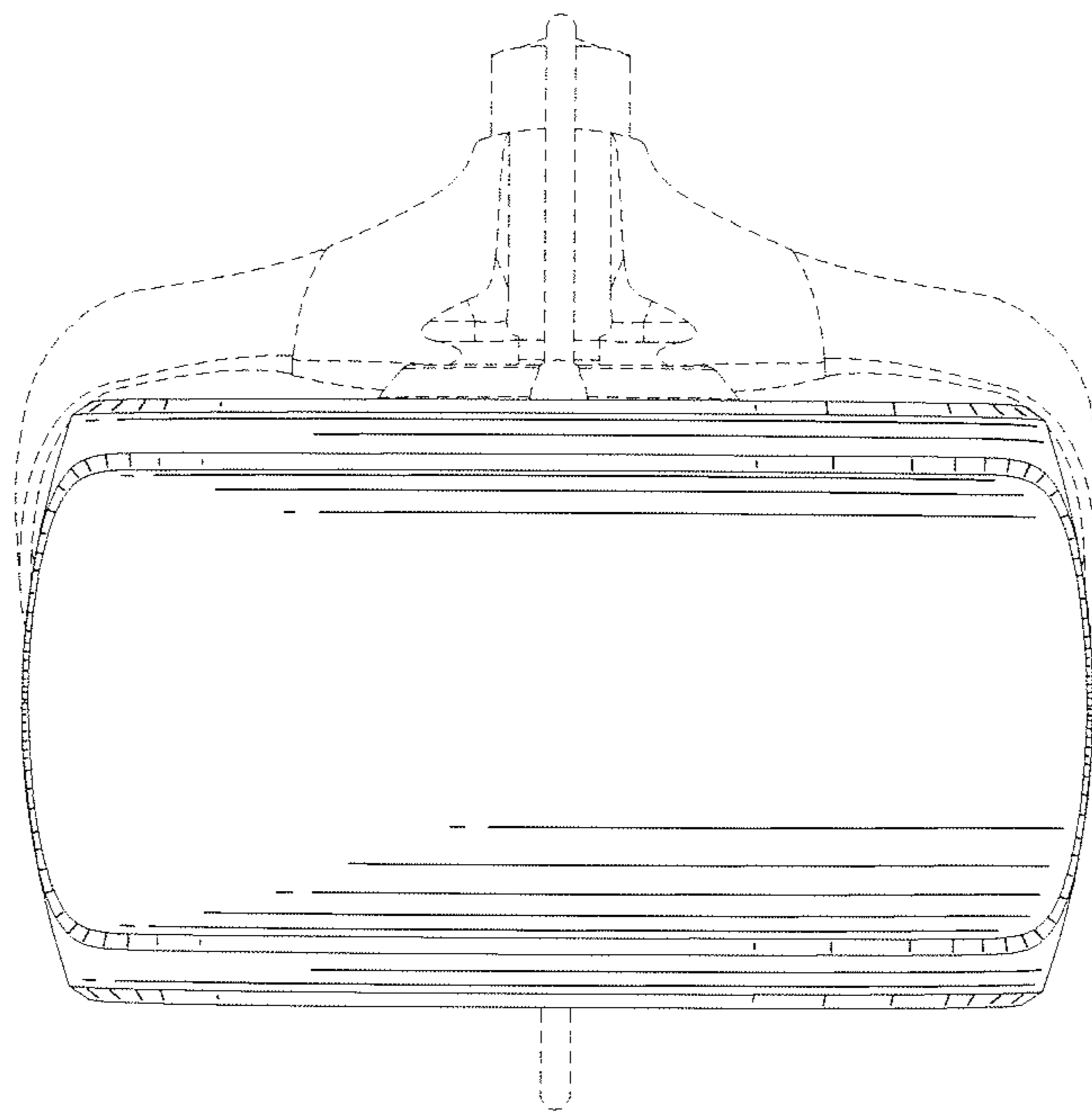


FIG. 4

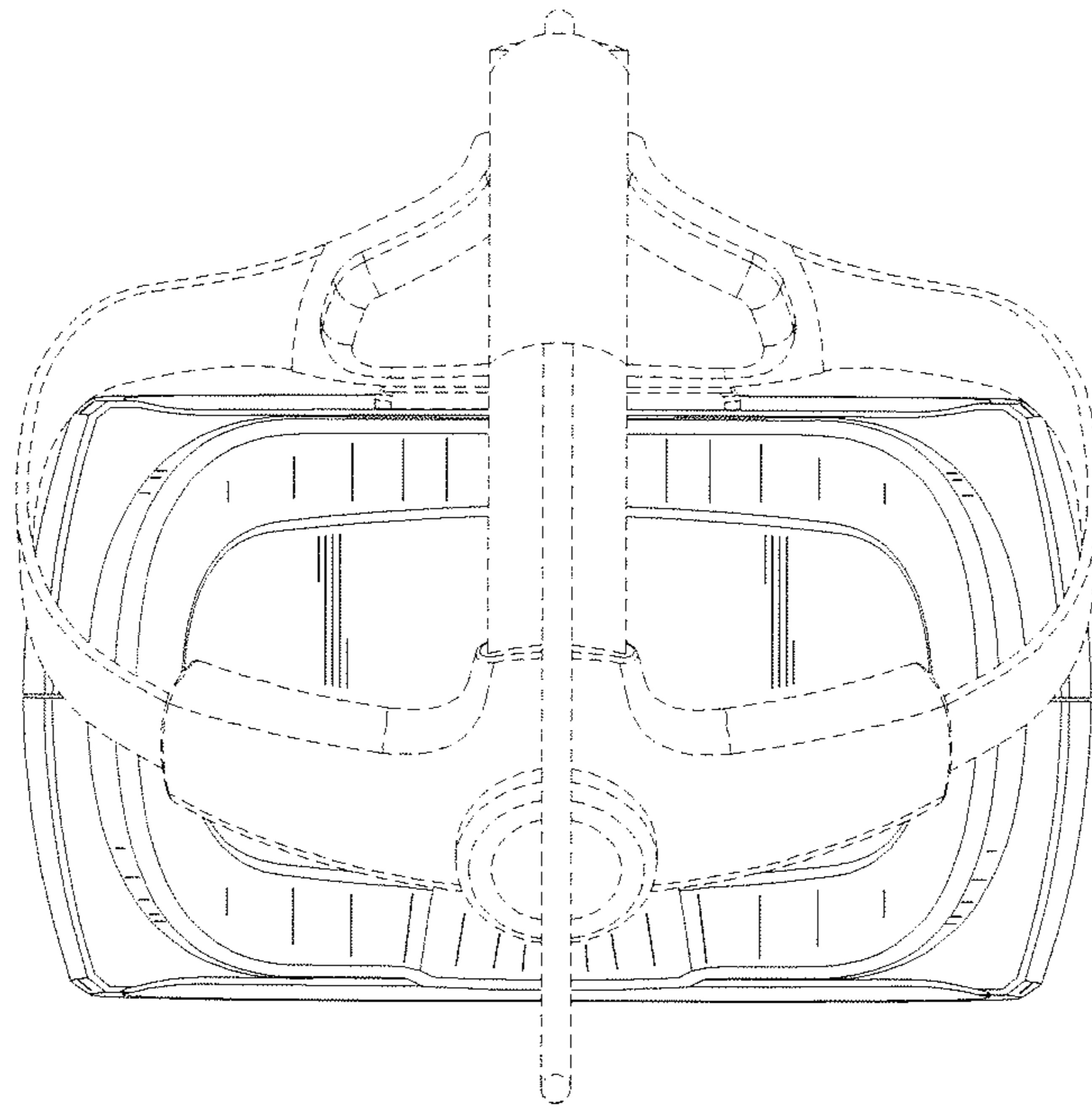


FIG. 5

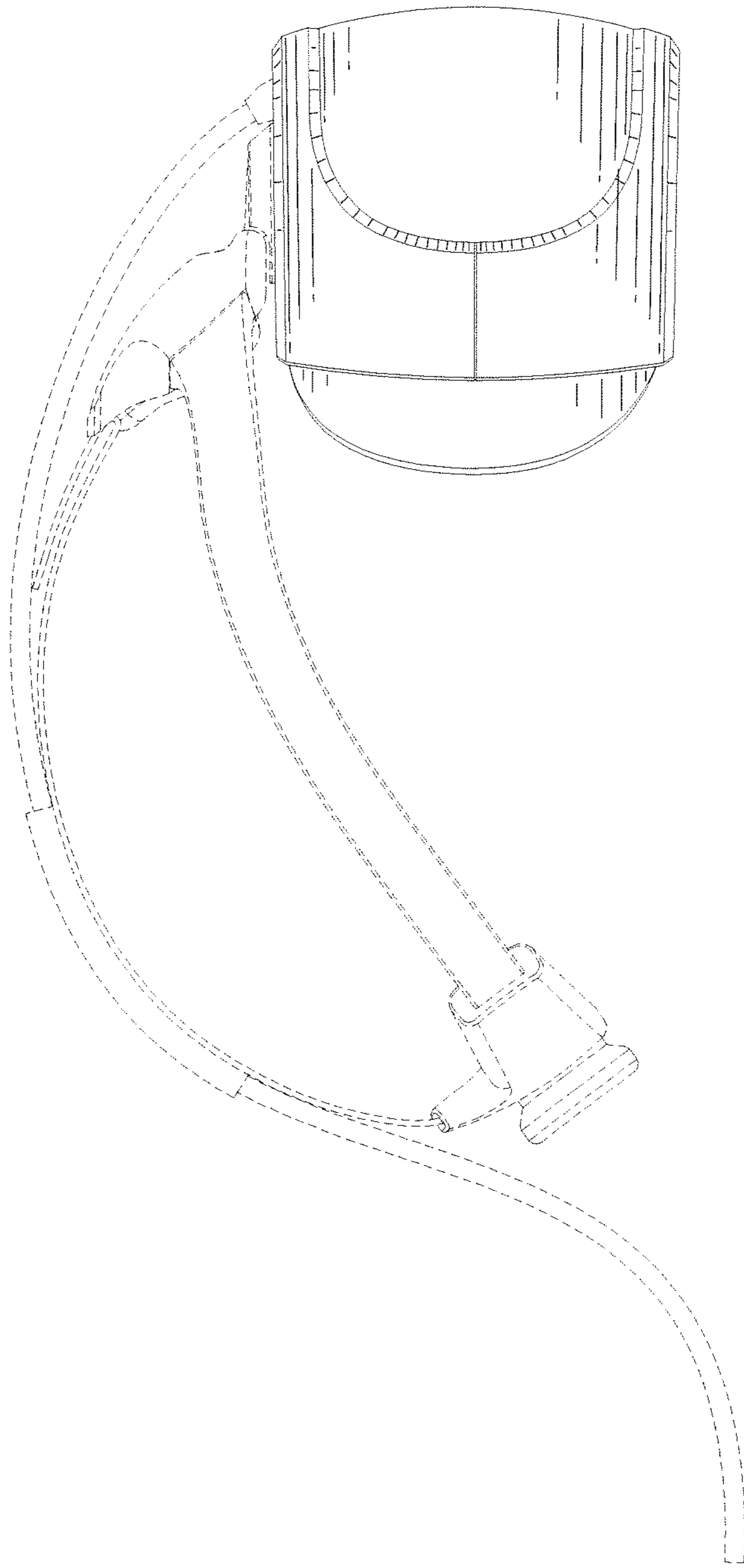


FIG. 6

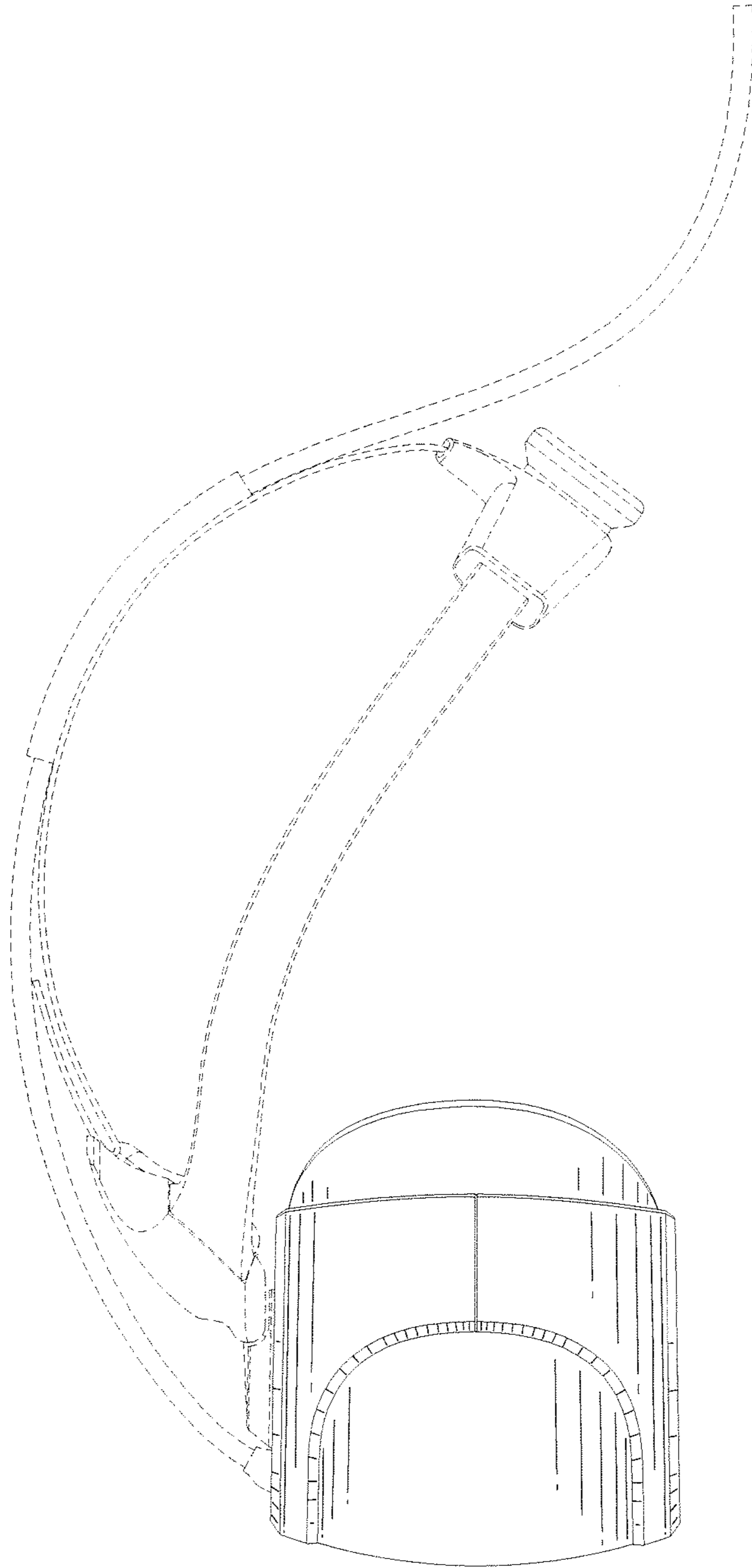


FIG. 7

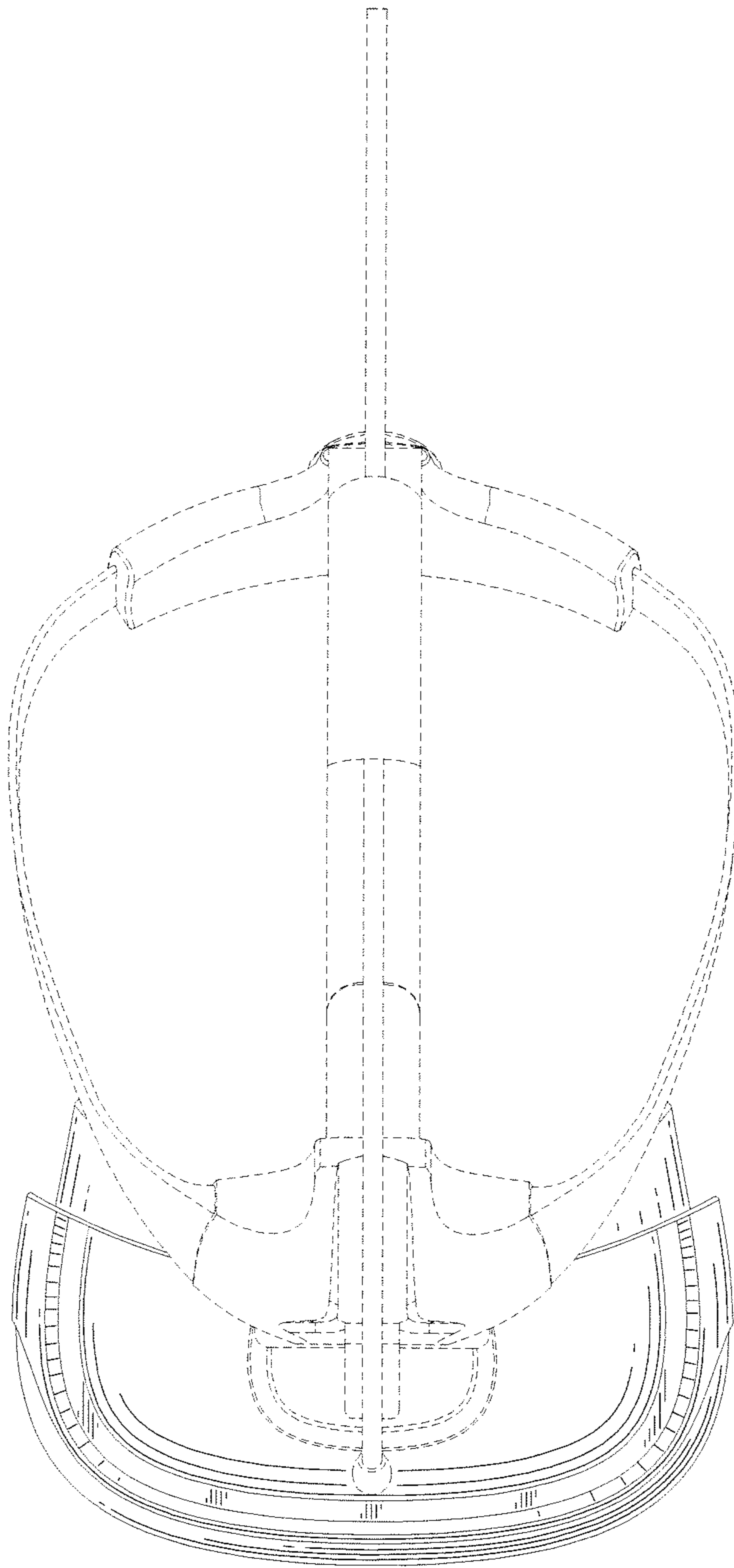


FIG. 8

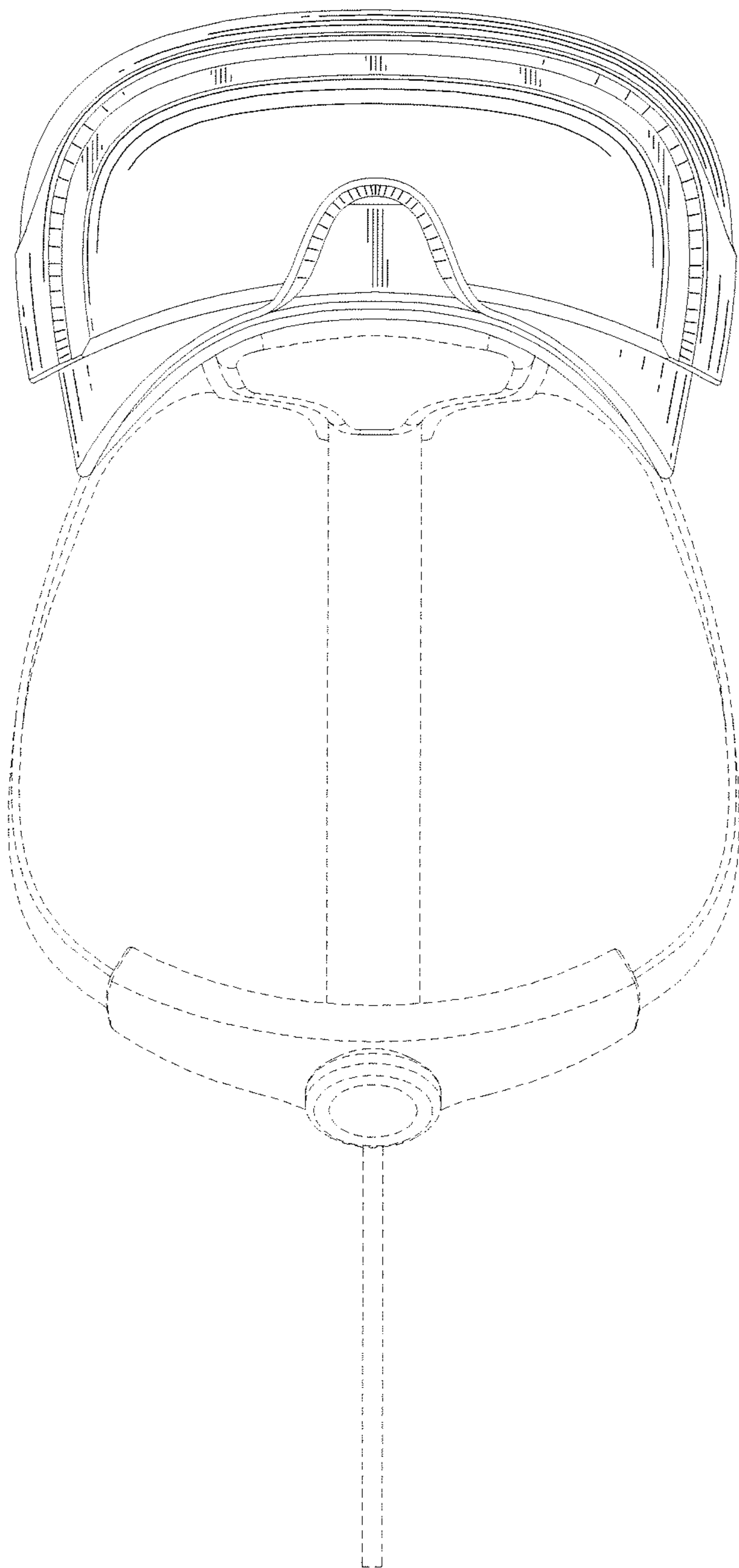


FIG. 9