



US00D771625S

(12) **United States Design Patent** (10) **Patent No.:** **US D771,625 S**
Sullivan et al. (45) **Date of Patent:** **** Nov. 15, 2016**

(54) **HEAD MOUNTED DISPLAY**
(71) Applicant: **Oculus VR, LLC**, Menlo Park, CA (US)
(72) Inventors: **Joseph Patrick Sullivan**, Issaquah, WA (US); **Yi-yaun Chen**, Seattle, WA (US); **Peter Wesley Bristol**, Seattle, WA (US); **David Michael Pickett**, Seattle, WA (US); **Enric Vial Roig**, Seattle, WA (US)
(73) Assignee: **Oculus VR, LLC**, Menlo Park, CA (US)
(**) Term: **15 Years**
(21) Appl. No.: **29/529,900**
(22) Filed: **Jun. 11, 2015**
(51) **LOC (10) Cl.** **14-02**
(52) **U.S. Cl.**
USPC **D14/372**
(58) **Field of Classification Search**
USPC D14/372, 496, 432, 371, 125, 126, 129, D14/299; D16/300-342; 351/158, 153, 144; 345/7-9, 905; 455/344; 348/115, 53, 348/121, 739
CPC G02B 27/017; G02B 27/0158; G02B 27/0161; G02B 27/0181; G02B 27/0185; G02B 27/0189
See application file for complete search history.

D749,580 S * 2/2016 Kim D14/372
D751,072 S * 3/2016 Lyons D14/372
D753,112 S * 4/2016 Fei D14/372
D759,654 S * 6/2016 Sullivan D14/372
D759,655 S * 6/2016 Sullivan D14/372
D760,225 S * 6/2016 Passmore D14/372
D761,257 S * 7/2016 Passmore D14/372

OTHER PUBLICATIONS

“Oculus Rift Virtual Reality Headset,” Uncrate, May 8, 2015, 2 pages.
Bishop, R., “Tested Demos the Oculus Rift ‘Crescent Bay’ Virtual Reality Headset Prototype at Oculus Connect,” Laughing Squid, Sep. 26, 2014, 2 pages.
Blain, L., “‘Ancient’ Oculus Rift concepts leak new controller and front-facing camera,” gamesradar, Jun. 9, 2015, 13 pages.
First Examination Report in India Patent Application No. 278179, mailing date Apr. 9, 2016, 2 pages.
First Examination Report in India Patent Application No. 278276, mailing date May 4, 2016, 2 pages.

(Continued)

Primary Examiner — Austin Murphy
(74) *Attorney, Agent, or Firm* — Perkins Coie LLP

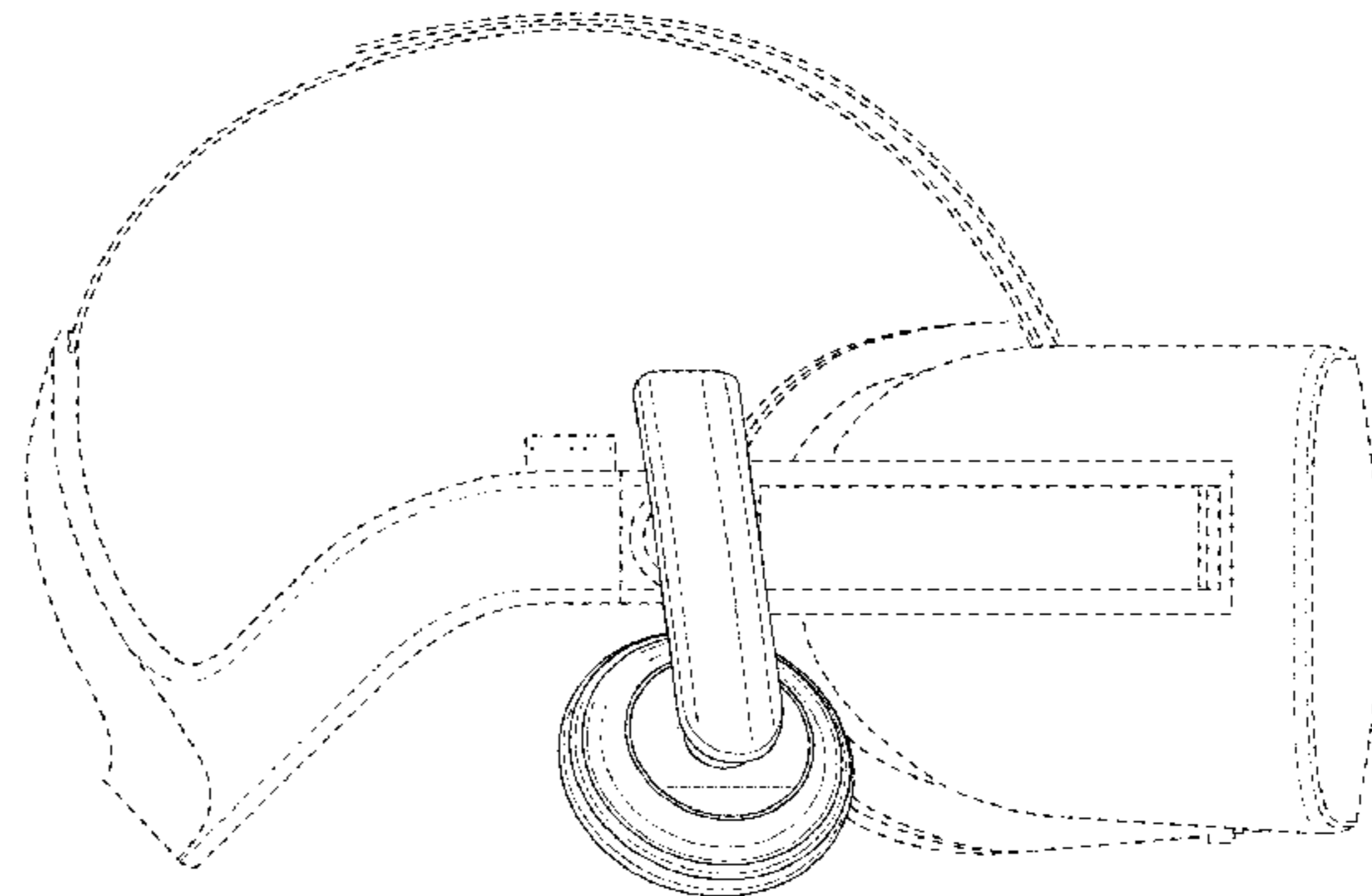
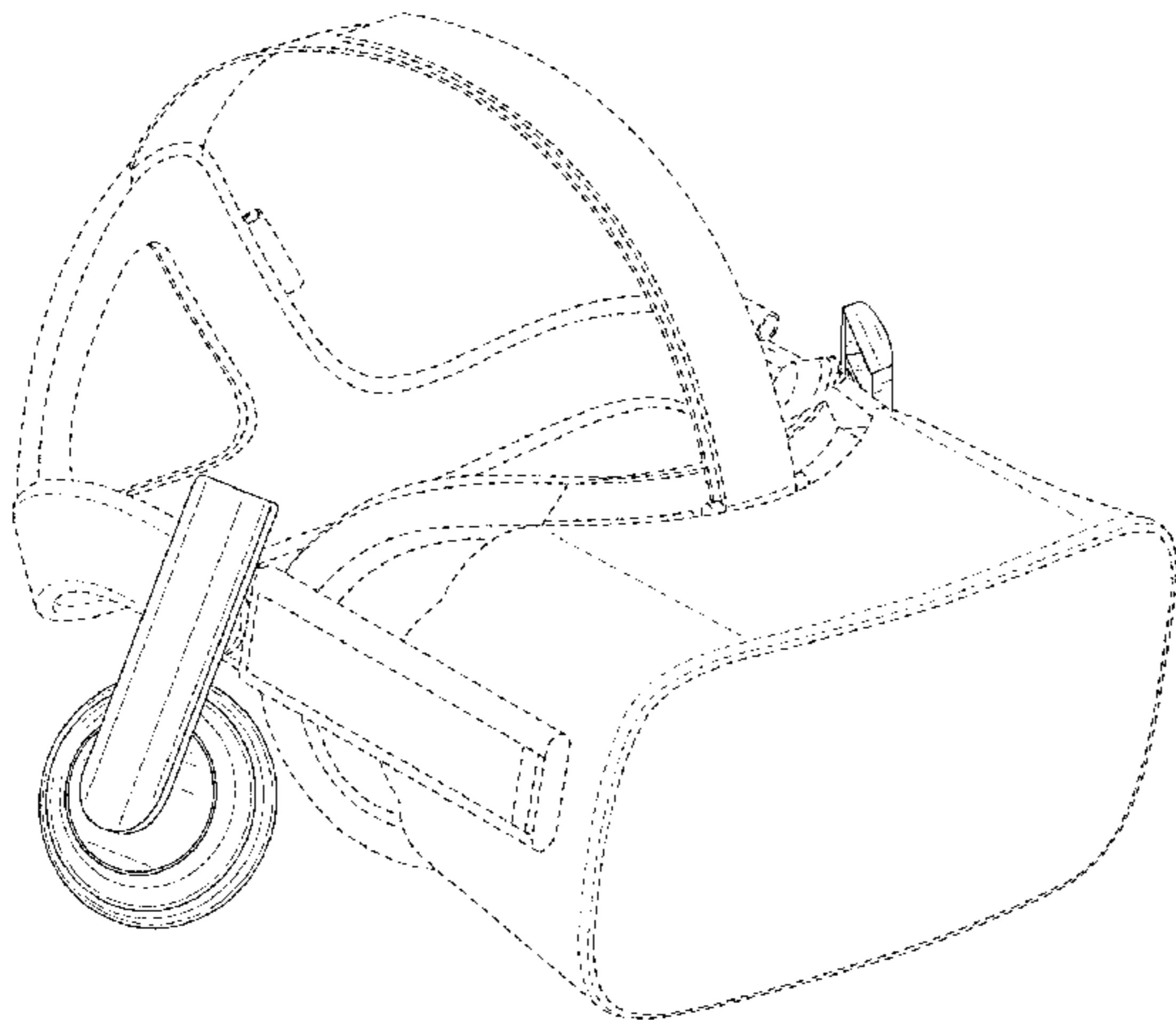
(57) **CLAIM**
The ornamental design for a head mounted display, as shown and described.

DESCRIPTION

FIG. 1 is a front isometric view of the head mounted display showing my new design;
FIG. 2 is a front elevation view thereof;
FIG. 3 is a rear elevation view thereof;
FIG. 4 is a left side elevation view thereof;
FIG. 5 is a right side elevation view thereof;
FIG. 6 is a top plan view thereof; and,
FIG. 7 is a bottom plan view thereof.
Any broken lines in the Figures are for illustrative purposes only and form no part of the claimed design.

1 Claim, 7 Drawing Sheets

(56) **References Cited**
U.S. PATENT DOCUMENTS
D719,953 S * 12/2014 Nokuo D14/372
D727,896 S * 4/2015 Laluque D14/372
D739,855 S * 9/2015 Bosveld D14/372
D740,810 S * 10/2015 Bosveld D14/372
D740,811 S * 10/2015 Bosveld D14/372
D741,327 S * 10/2015 Reznik D14/372
D741,860 S * 10/2015 Bosveld D14/372



(56)

References Cited

OTHER PUBLICATIONS

First Examination Report in India Patent Application No. 278277, mailing date Mar. 28, 2016, 2 pages.
 First Examiner's Report in Australian Patent Application No. 366106, mailing date Feb. 26, 2016, 2 pages.
 First Examiner's Report in Australian Patent Application No. 366107, mailing date Feb. 26, 2016, 2 pages.
 First Examiner's Report in Australian Patent Application No. 366109, mailing date Feb. 26, 2016, 2 pages.
 First Examiner's Report in Australian Patent Application No. 366110, mailing date Feb. 26, 2016, 2 pages.
 First Examiner's Report in Australian Patent Application No. 366111, mailing date Feb. 26, 2016, 2 pages.
 First Examiner's Report in Australian Patent Application No. 366112, mailing date Feb. 26, 2016, 2 pages.
 First Examiner's Report in Canadian Patent Application No. 163156, mailing date Nov. 24, 2015, 5 pages.
 First Examiner's Report in Canadian Patent Application No. 167488, mailing date Apr. 7, 2016, 5 pages.
 First Examiner's Report in Canadian Patent Application No. 167489, mailing date Apr. 7, 2016, 3 pages.
 First Examiner's Report in Canadian Patent Application No. 167490, mailing date Apr. 7, 2016, 3 pages.

First Examiner's Report in Canadian Patent Application No. 167491, mailing date Apr. 7, 2016, 3 pages.
 First Examiner's Report in Israel Patent Application No. 57744, mailing date Feb. 4, 2016, 3 pages.
 Lang, B., "Oculus Rift Input Controller Revealed in Leaked 'Placeholder Concept,'" Jun. 9, 2015, 2 pages.
 Moynihan, T., "The Oculus Rift is Coming in Early 2016," Wired, May 6, 2015, 2 pages.
 Orland, K., "Leaked images could point to Oculus controller, final Rift design," arstechnica, Jun. 9, 2015, 3 pages.
 Seppala, T., "Oculus Rift goes mainstream early 2016," Engadget, May 6, 2015, 9 pages.
 Pro Audio Japan, "Product Information: MPC Headphones: AKAI Professional," Mar. 4, 2014, retrieved online at <<http://akai-pro.jp/mpc-headphones/>>, JPO Publicly Known Design No. HJ25065259, 3 pages.
 Design of Head Mounted Display, Goods Press, No. 5, May 10, 2015, JPO Publicly Known Design No. HA27001471, 3 pages.
 Design of headphone, Sound & Vision, No. 3, Apr. 2014, p. 28, JPO Publicly Known Design No. HB26000843.
 Second Examiner's Report in Australian Patent Application No. 366106, mailing date Jul. 19, 2016, 2 pages.
 Japanese Office Action in Patent Application No. 2015-027694, mailing date Jul. 1, 2016, 4 pages, English Translation.

* cited by examiner

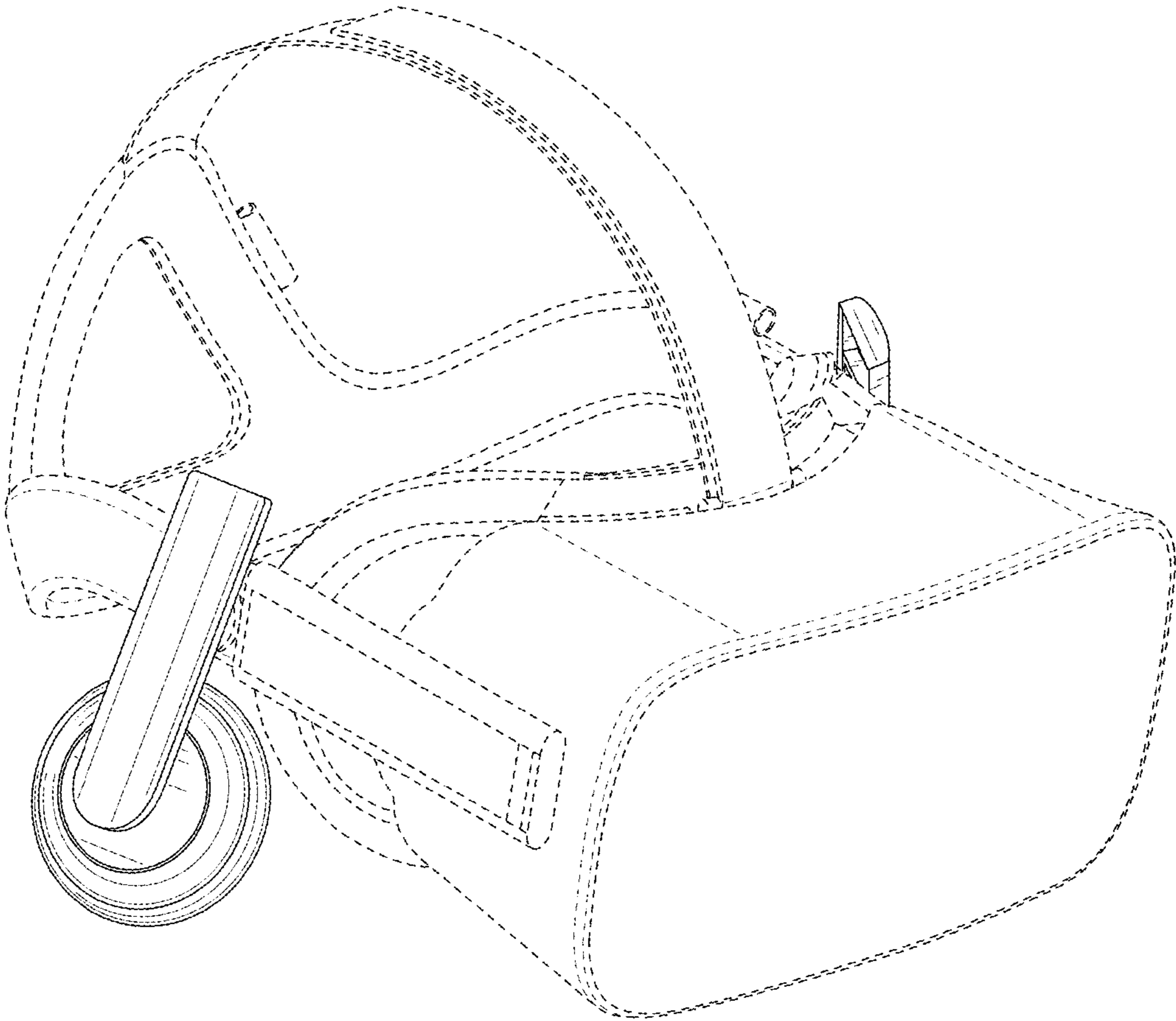


Fig. 1

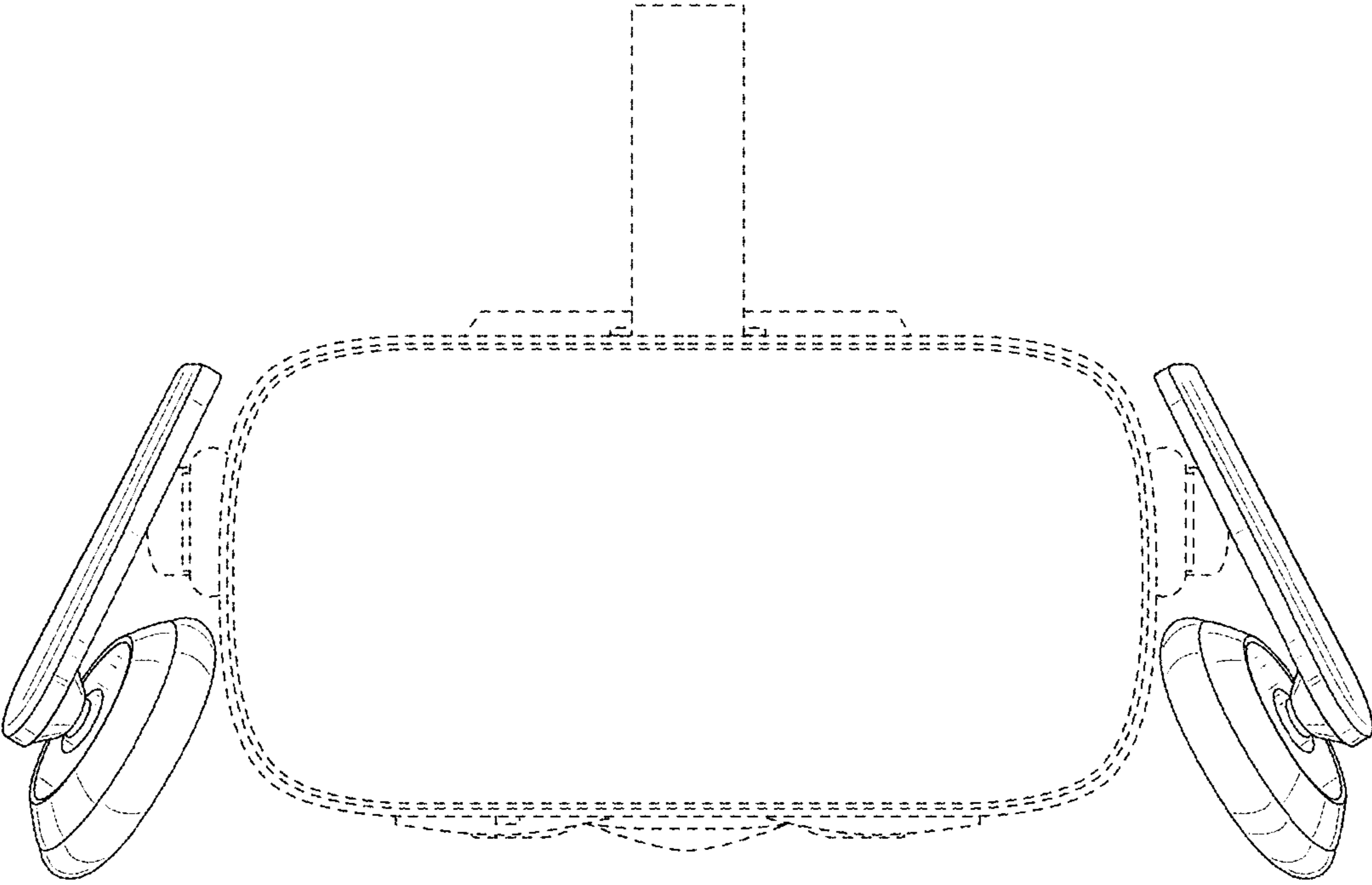


Fig. 2

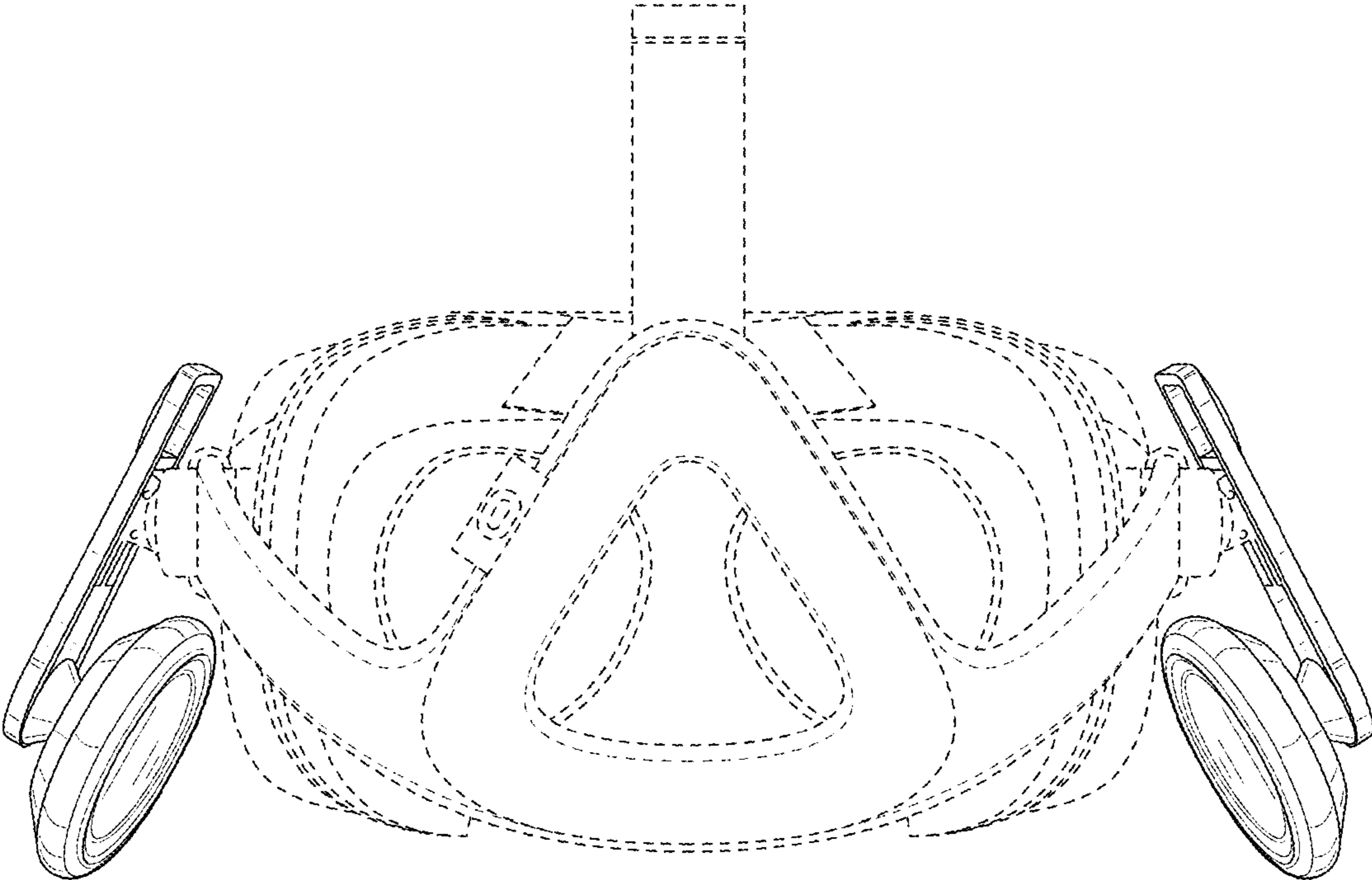


Fig. 3

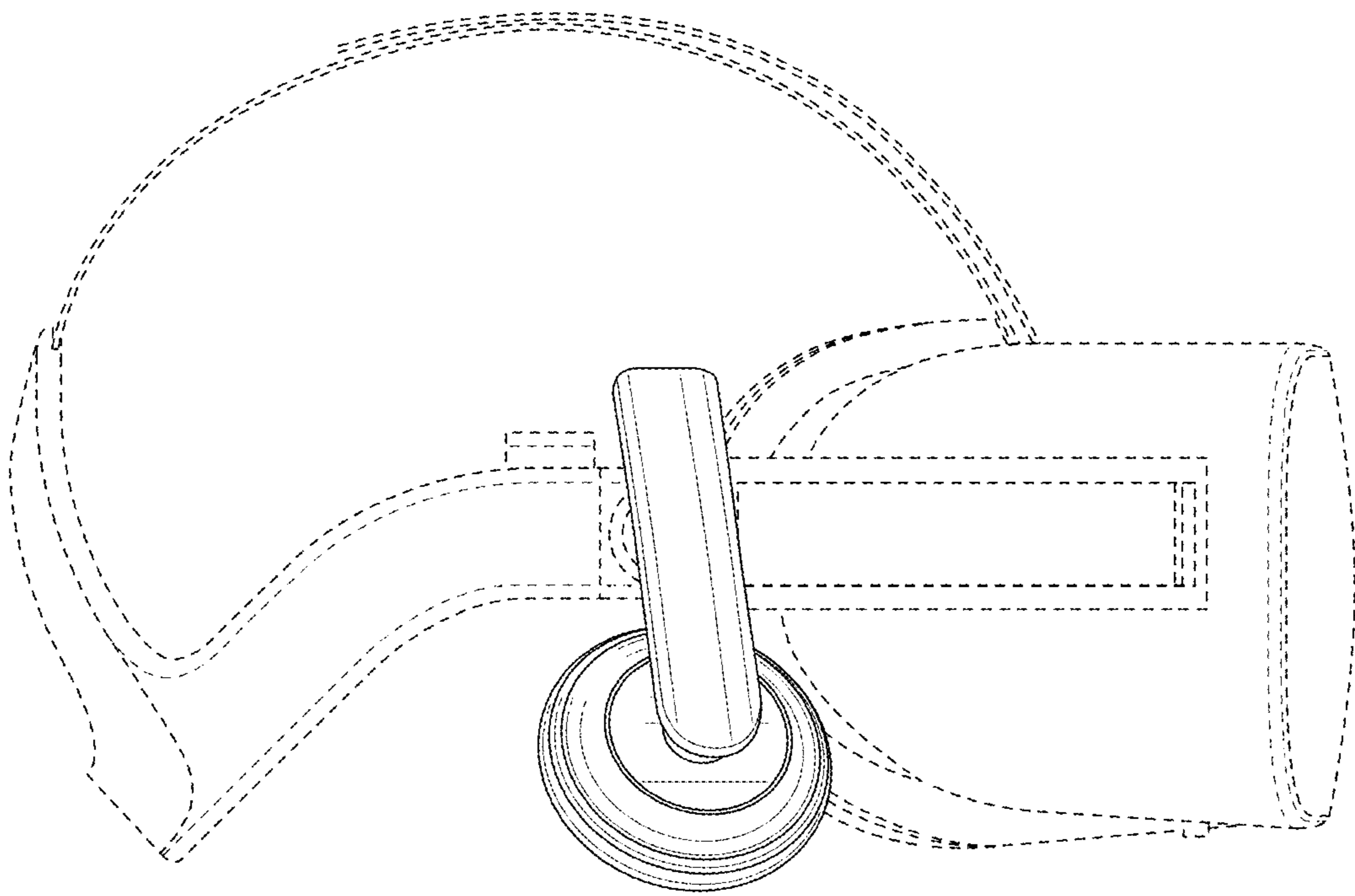


Fig. 4

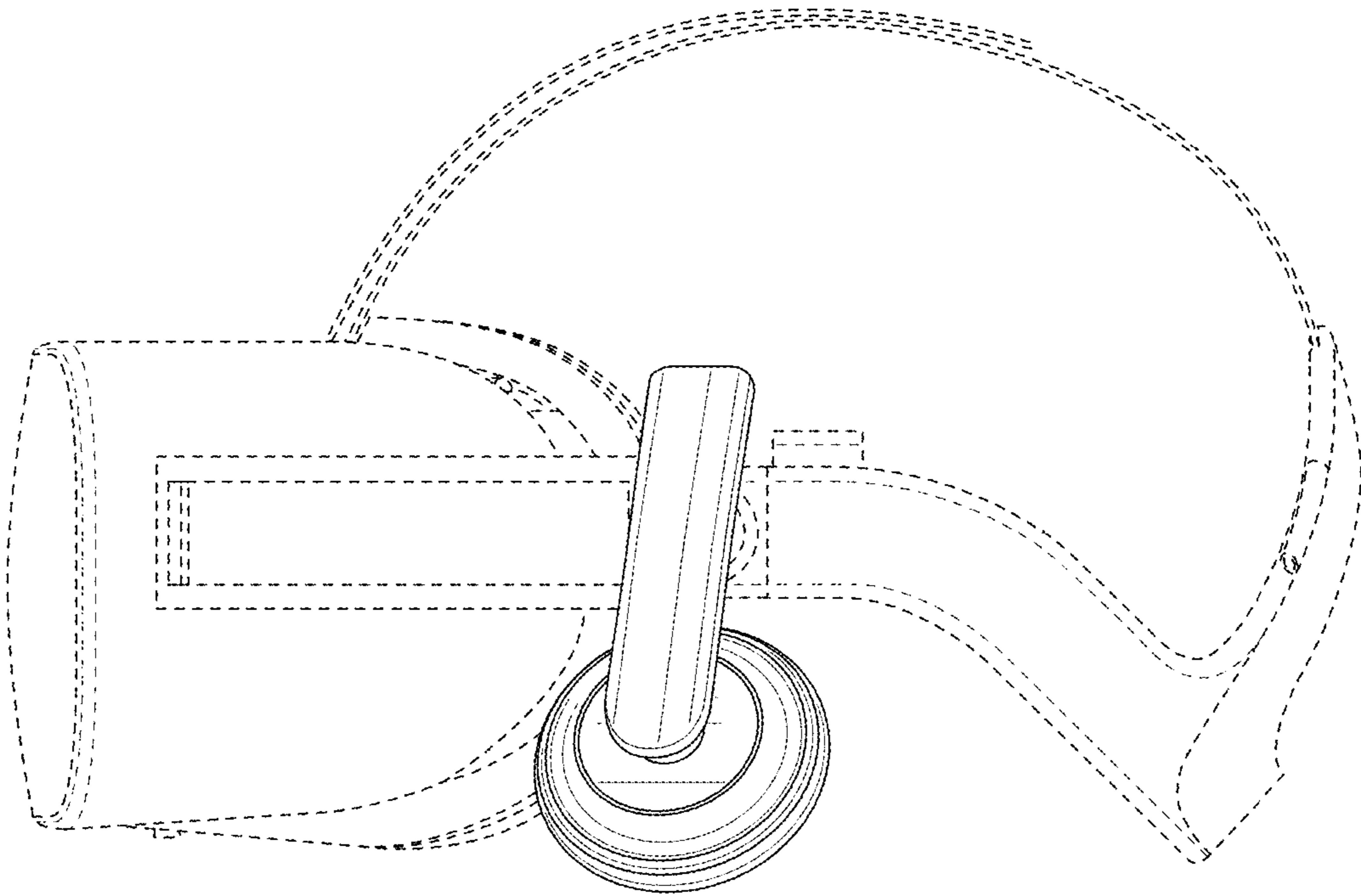


Fig. 5

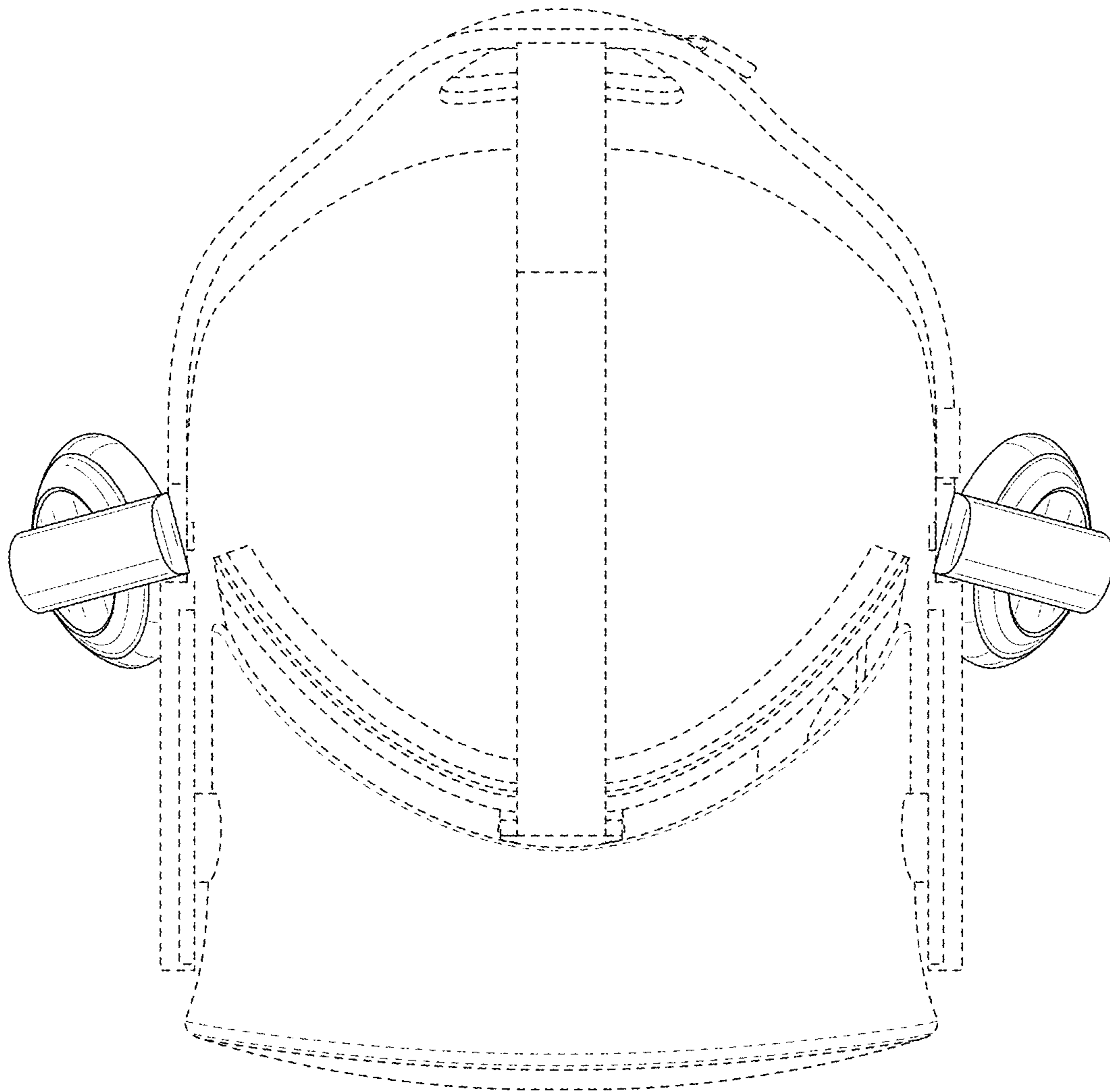


Fig. 6

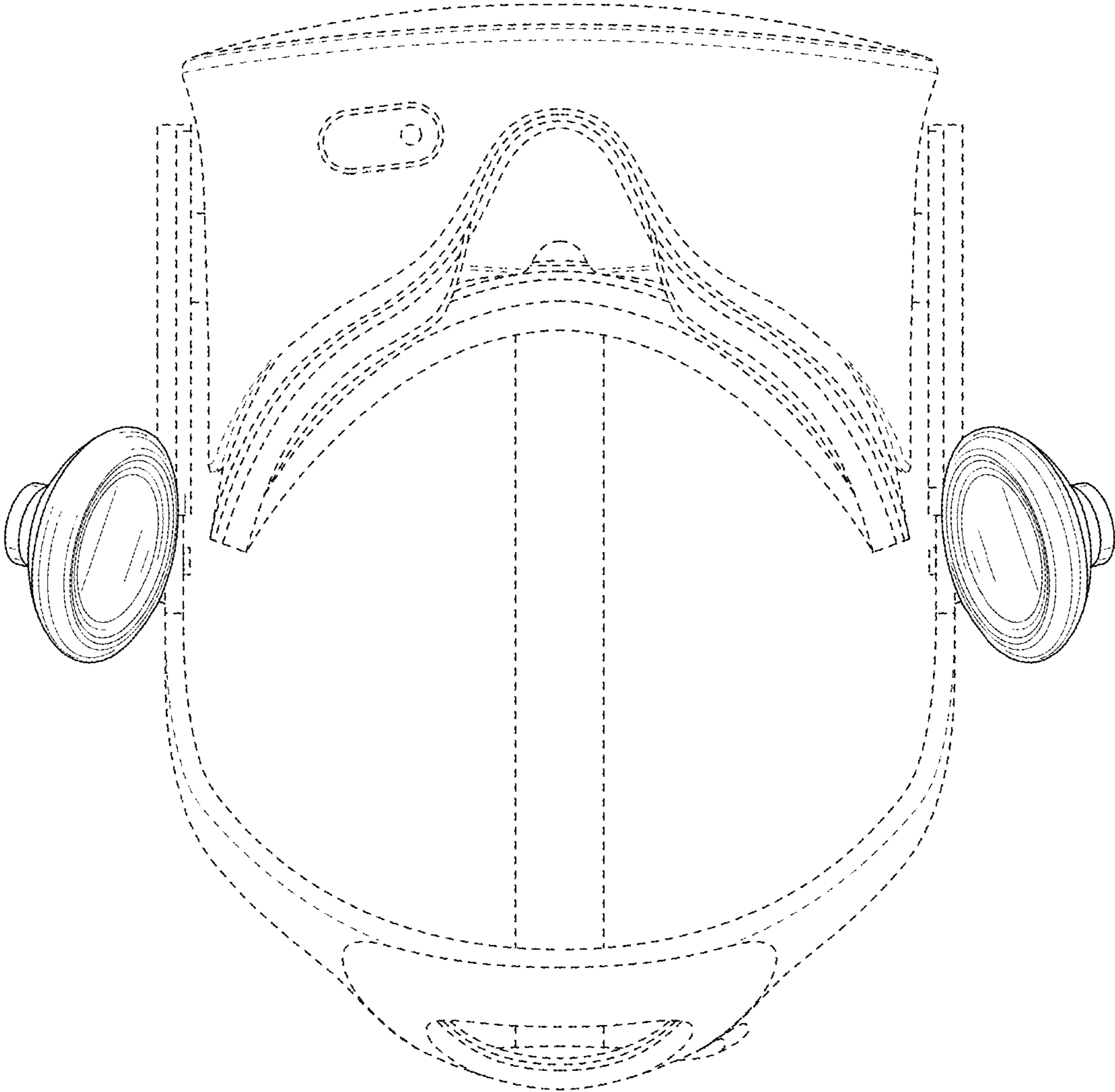


Fig. 7

UNITED STATES PATENT AND TRADEMARK OFFICE
CERTIFICATE OF CORRECTION

PATENT NO. : D771,625 S
APPLICATION NO. : 29/529900
DATED : November 15, 2016
INVENTOR(S) : Sullivan et al.

Page 1 of 9

It is certified that error appears in the above-identified patent and that said Letters Patent is hereby corrected as shown below:

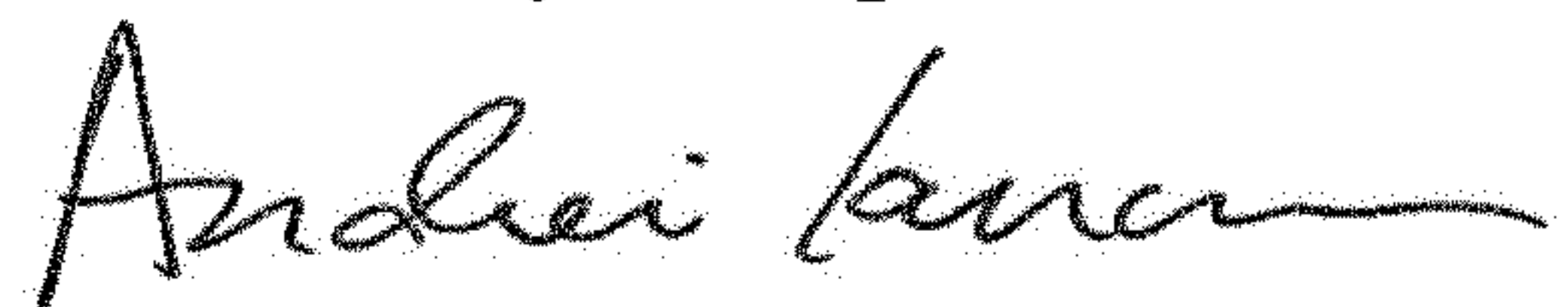
On the Title Page

Delete the title page and replace with the attached title page.

In the Drawings

Delete drawings 1-7 and replace with the attached drawings 1-7.

Signed and Sealed this
Fourth Day of September, 2018



Andrei Iancu
Director of the United States Patent and Trademark Office

(12) **United States Design Patent** (10) **Patent No.:** **US D771,625 S**
 Sullivan et al. (45) **Date of Patent:** **** Nov. 15, 2016**

(54) **HEAD MOUNTED DISPLAY**

(71) Applicant: **Oculus VR, LLC**, Menlo Park, CA (US)

(72) Inventors: **Joseph Patrick Sullivan**, Issaquah, WA (US); **Yi-yaun Chen**, Seattle, WA (US); **Peter Wesley Bristol**, Seattle, WA (US); **David Michael Pickett**, Seattle, WA (US); **Enric Vial Roig**, Seattle, WA (US)

(73) Assignee: **Oculus VR, LLC**, Menlo Park, CA (US)

(**) Term: **15 Years**

(21) Appl. No.: **29/529,900**

(22) Filed: **Jun. 11, 2015**

(51) **LOC (10) Cl.** **14-02**

(52) **U.S. Cl.**
 USPC **D14/372**

(58) **Field of Classification Search**
 USPC D14/372, 496, 432, 371, 125, 126, 129, D14/299; D16/300-342; 351/158, 153, 144; 345/7-9, 905; 455/344; 348/115, 53, 348/121, 739
 CPC G02B 27/017; G02B 27/0158; G02B 27/0161; G02B 27/0181; G02B 27/0185; G02B 27/0189
 See application file for complete search history.

(56) **References Cited**

U.S. PATENT DOCUMENTS

D719,953 S * 12/2014 Nokuo D14/372
 D727,896 S * 4/2015 Lалуque D14/372
 D739,855 S * 9/2015 Bosveld D14/372
 D740,810 S * 10/2015 Bosveld D14/372
 D740,811 S * 10/2015 Bosveld D14/372
 D741,327 S * 10/2015 Reznik D14/372
 D741,860 S * 10/2015 Bosveld D14/372

D749,580 S * 2/2016 Kim D14/372
 D751,072 S * 3/2016 Lyons D14/372
 D753,112 S * 4/2016 Fei D14/372
 D759,654 S * 6/2016 Sullivan D14/372
 D759,655 S * 6/2016 Sullivan D14/372
 D760,225 S * 6/2016 Passmore D14/372
 D761,257 S * 7/2016 Passmore D14/372

OTHER PUBLICATIONS

"Oculus Rift Virtual Reality Headset," Uncrate, May 8, 2015, 2 pages.
 Bishop, R., "Tested Demos the Oculus Rift 'Crescent Bay' Virtual Reality Headset Prototype at Oculus Connect," Laughing Squid, Sep. 26, 2014, 2 pages.
 Blain, L., "'Ancient' Oculus Rift concepts leak new controller and front-facing camera," gamesradar, Jun. 9, 2015, 13 pages.
 First Examination Report in India Patent Application No. 278179, mailing date Apr. 9, 2016, 2 pages.
 First Examination Report in India Patent Application No. 278276, mailing date May 4, 2016, 2 pages.

(Continued)

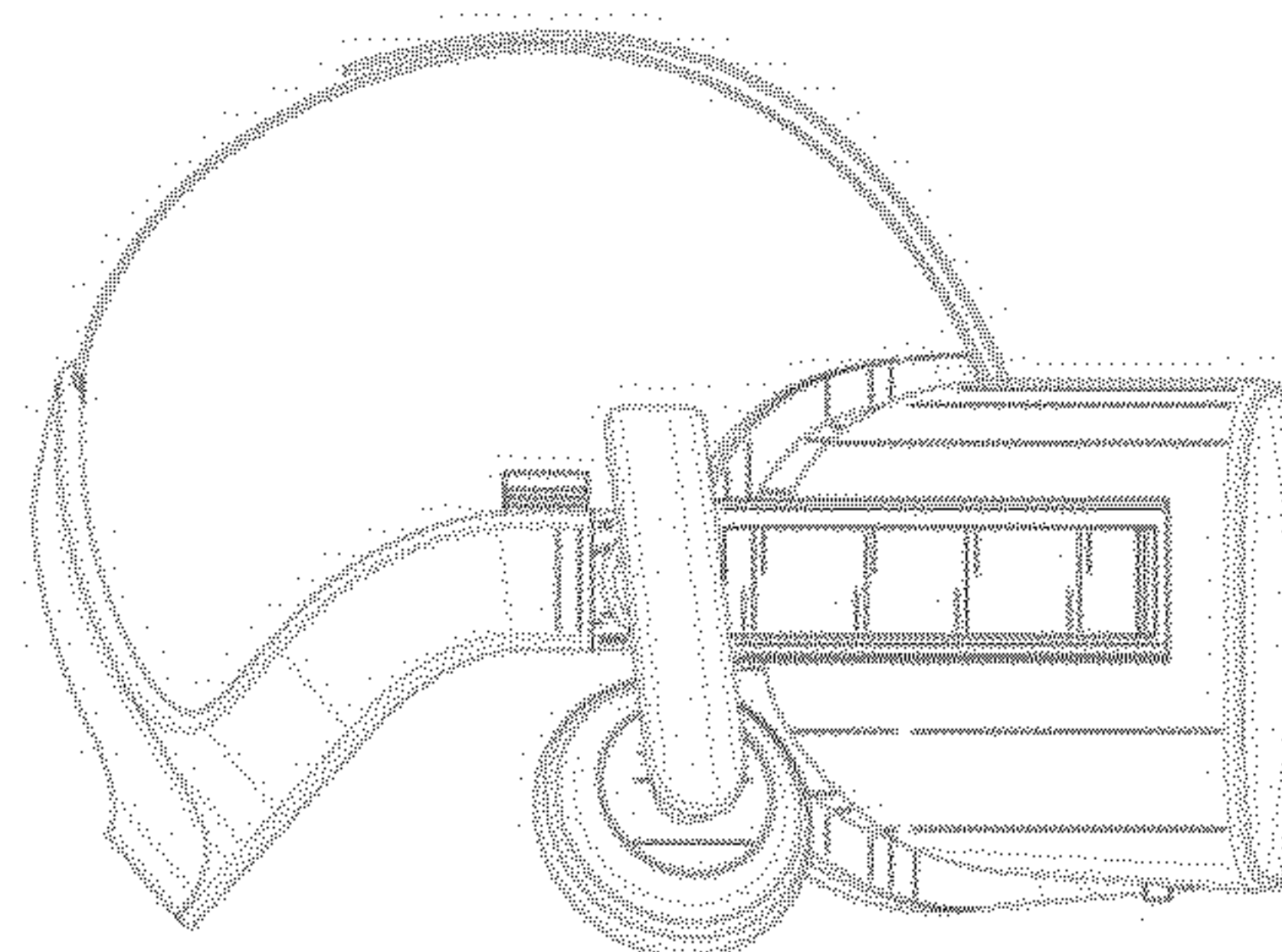
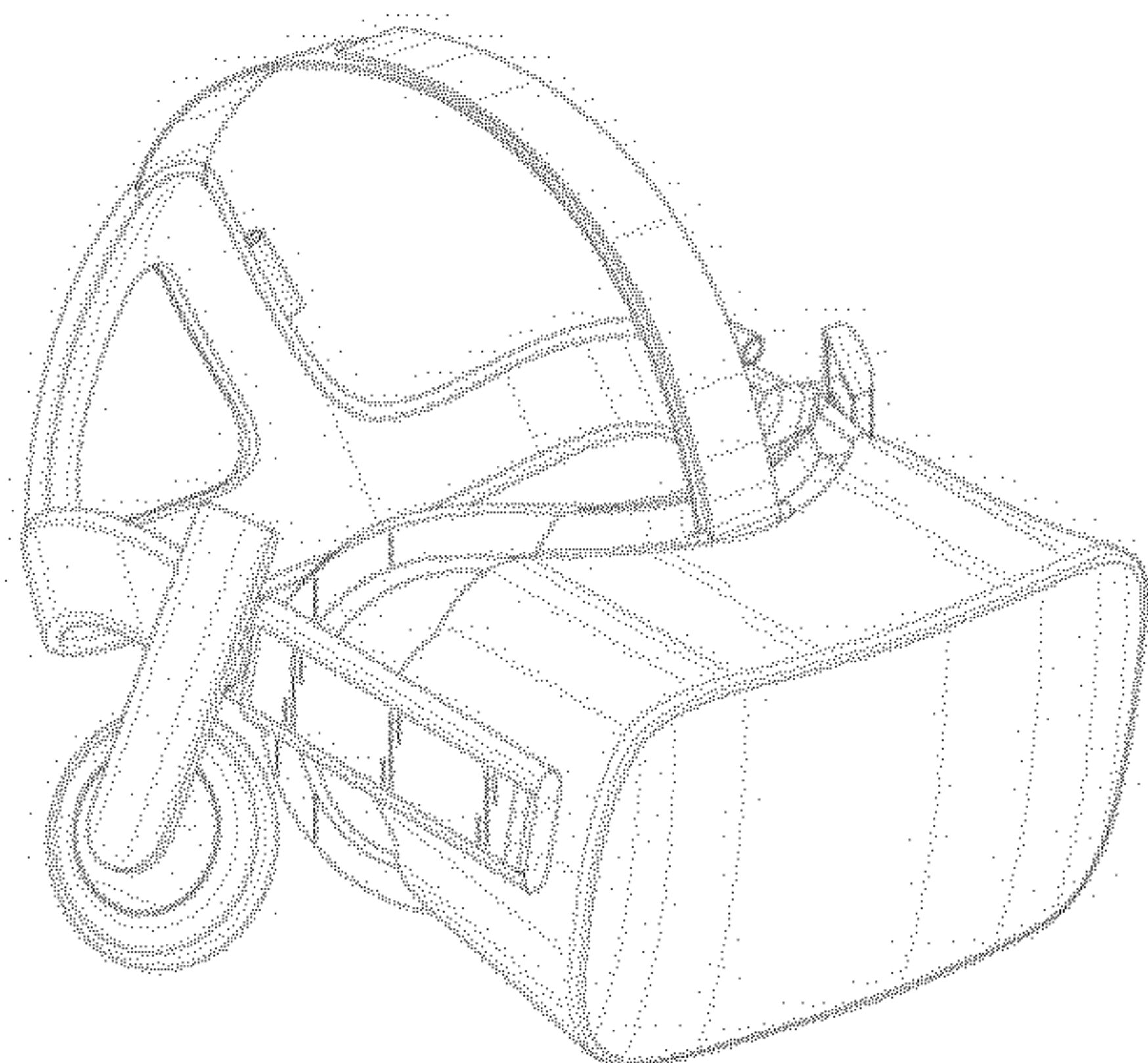
Primary Examiner — Austin Murphy
 (74) *Attorney, Agent, or Firm* — Perkins Coie LLP

(57) **CLAIM**
 The ornamental design for a head mounted display, as shown and described.

DESCRIPTION

FIG. 1 is a front isometric view of the head mounted display showing my new design;
 FIG. 2 is a front elevation view thereof;
 FIG. 3 is a rear elevation view thereof;
 FIG. 4 is a left side elevation view thereof;
 FIG. 5 is a right side elevation view thereof;
 FIG. 6 is a top plan view thereof; and,
 FIG. 7 is a bottom plan view thereof.
 Any broken lines in the Figures are for illustrative purposes only and form no part of the claimed design.

1 Claim, 7 Drawing Sheets



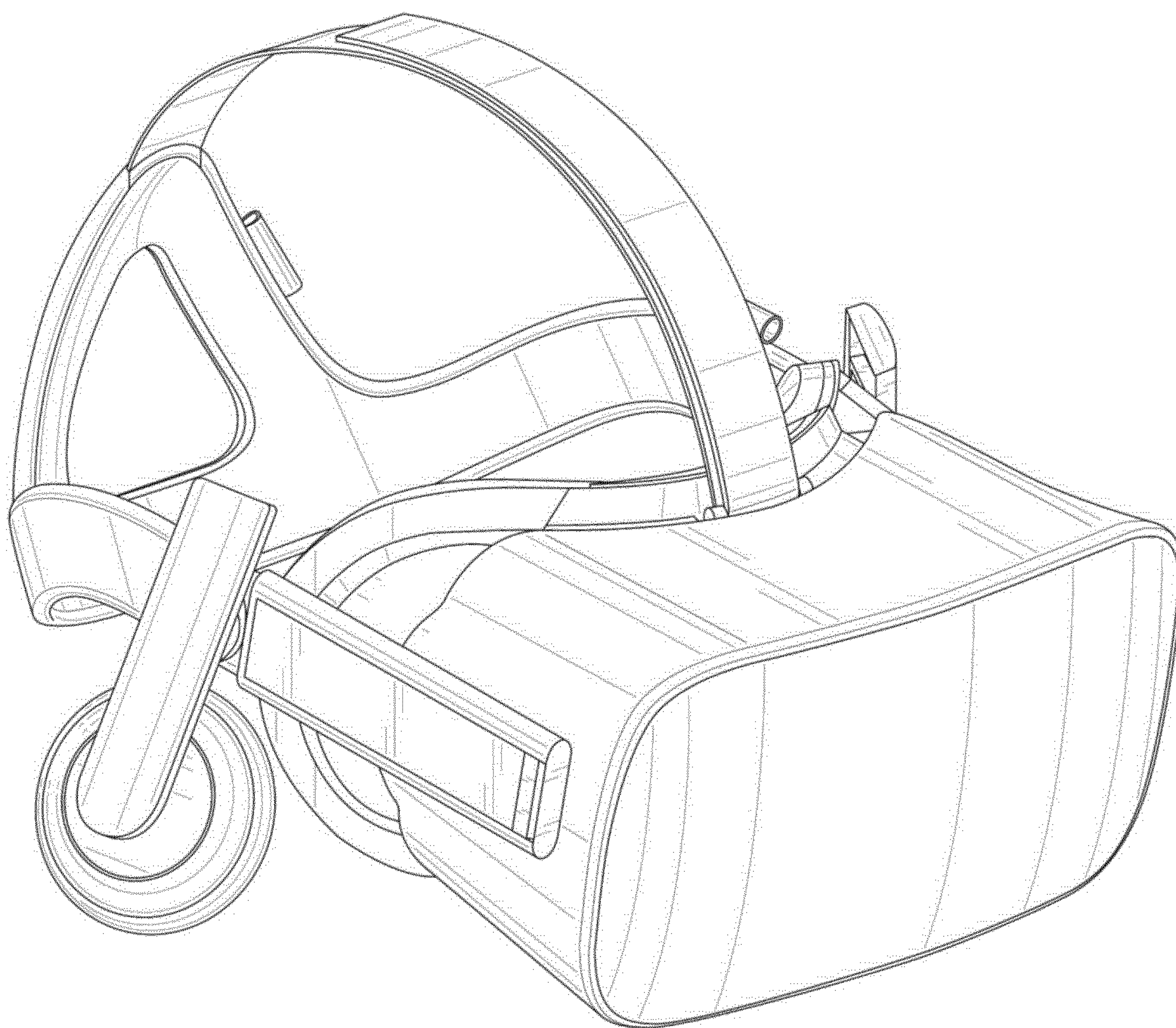


Fig. 1

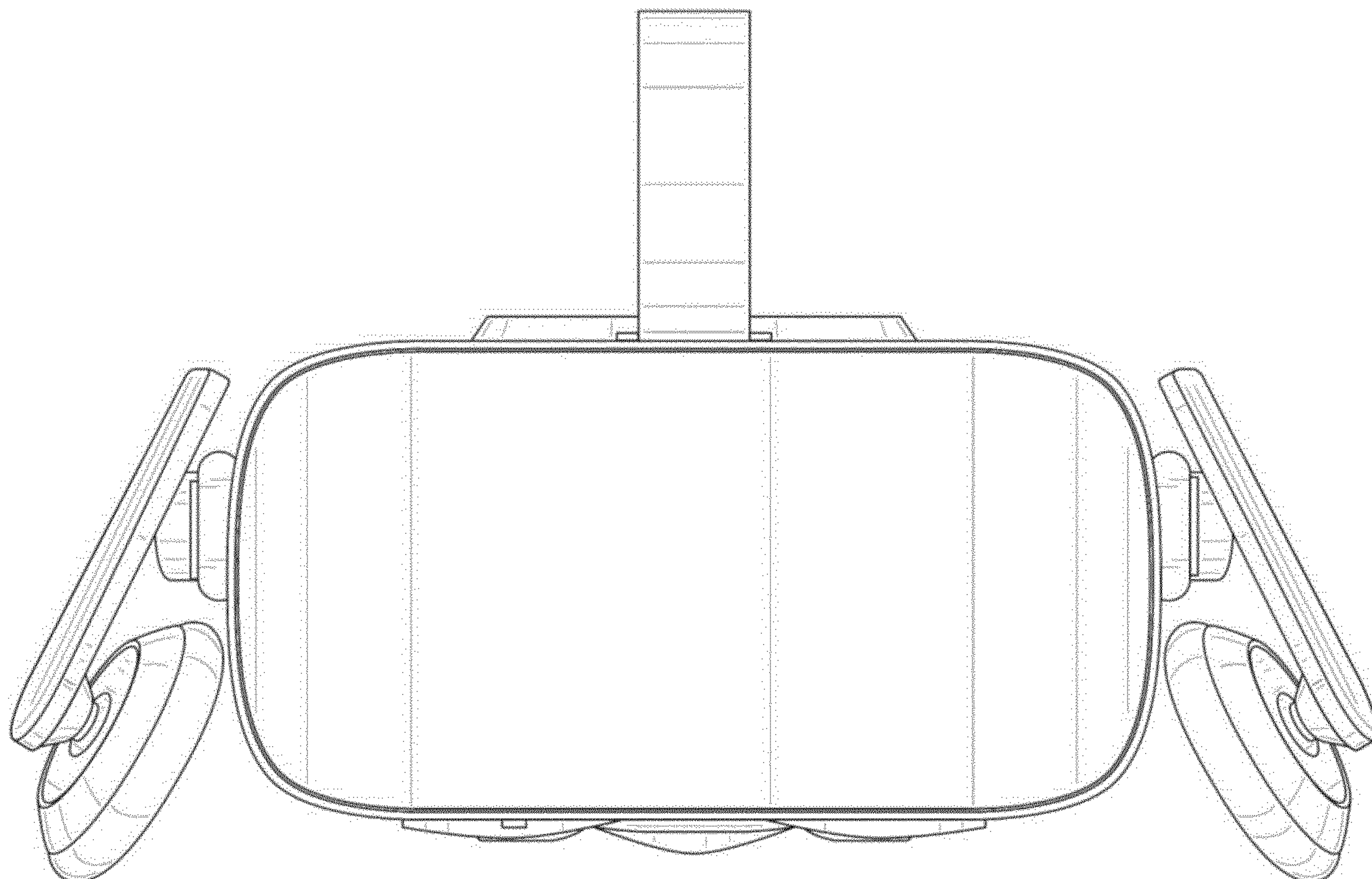


Fig. 2

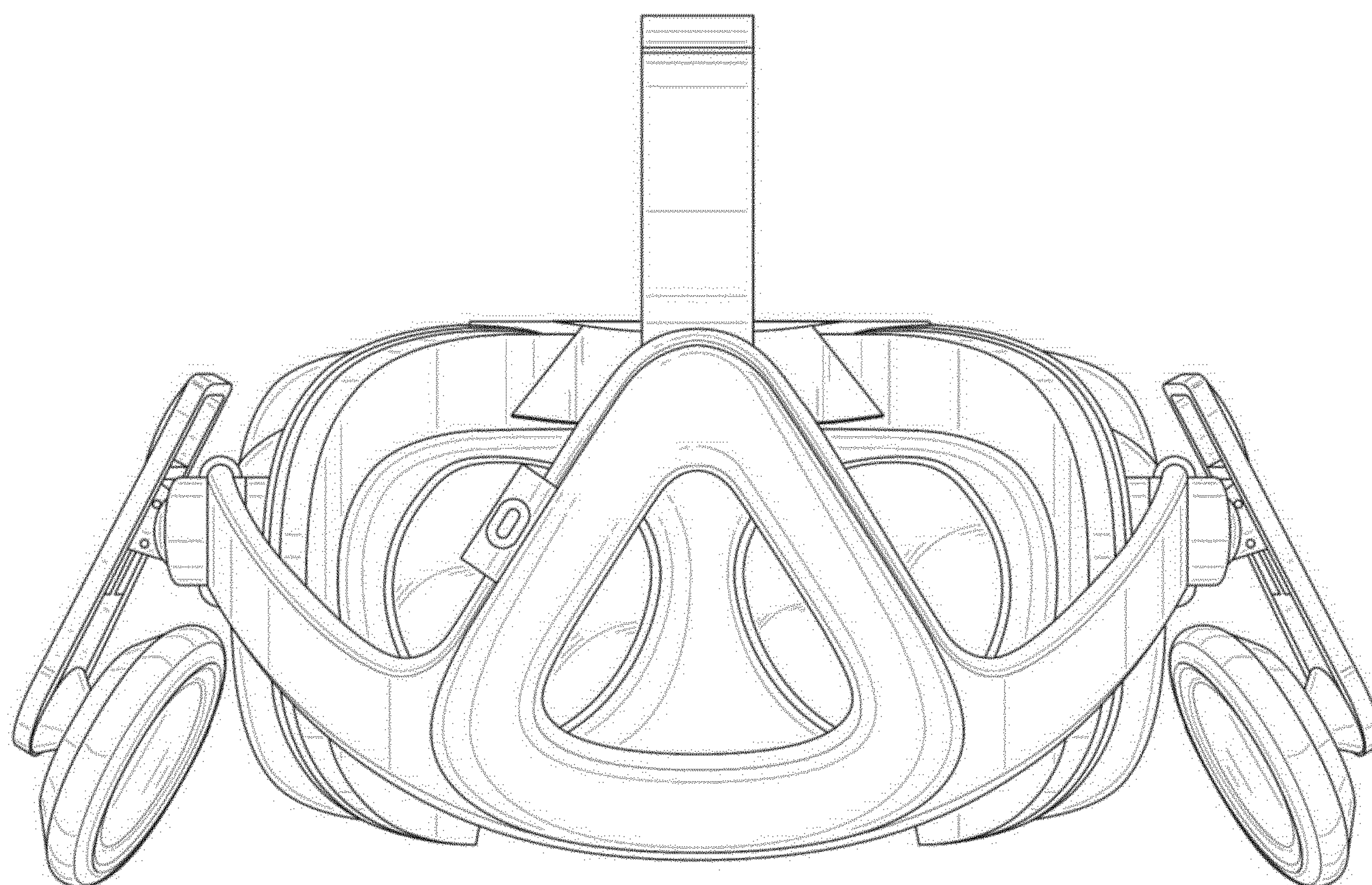


Fig. 3

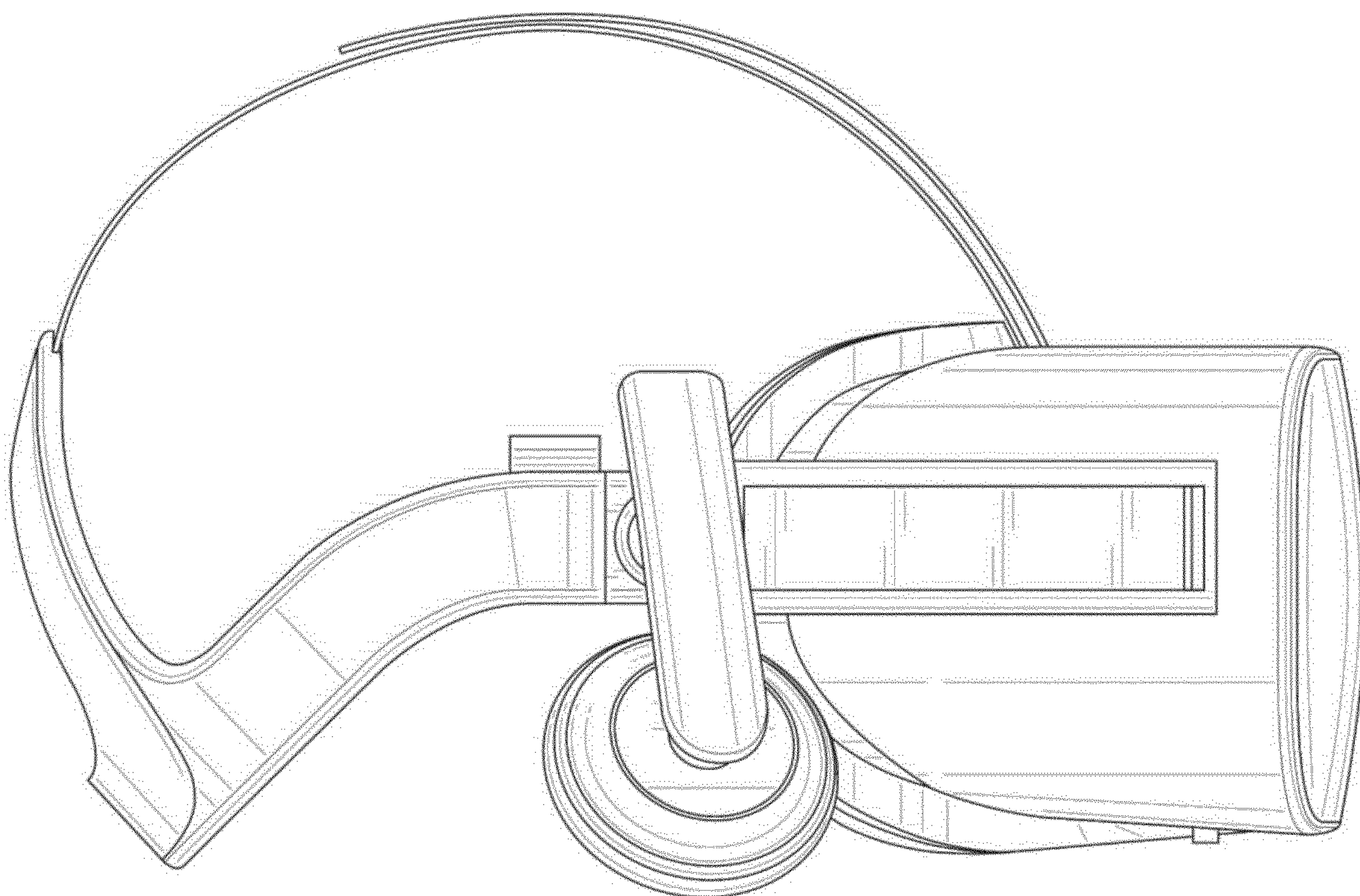


Fig. 4

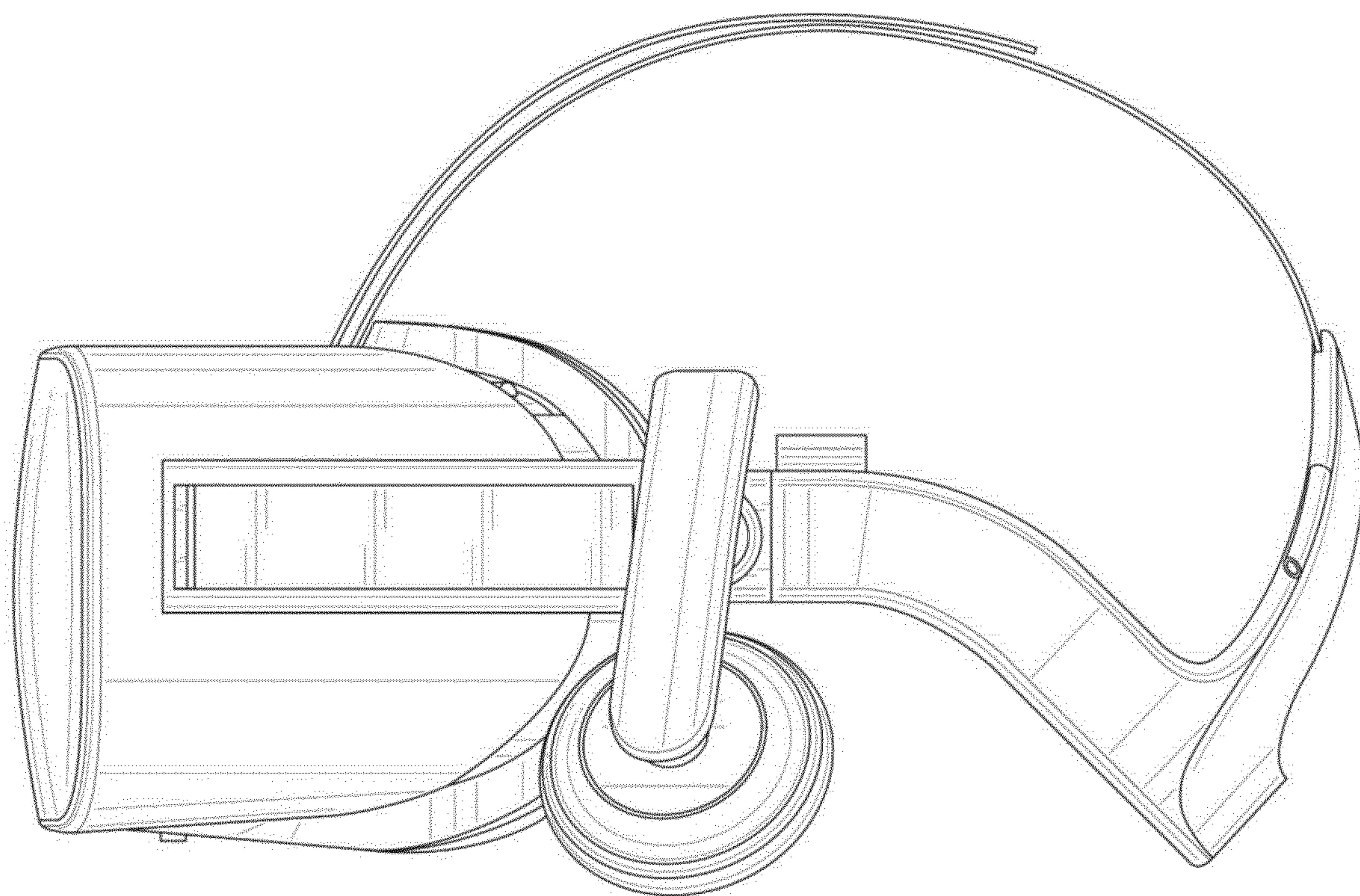


Fig. 5

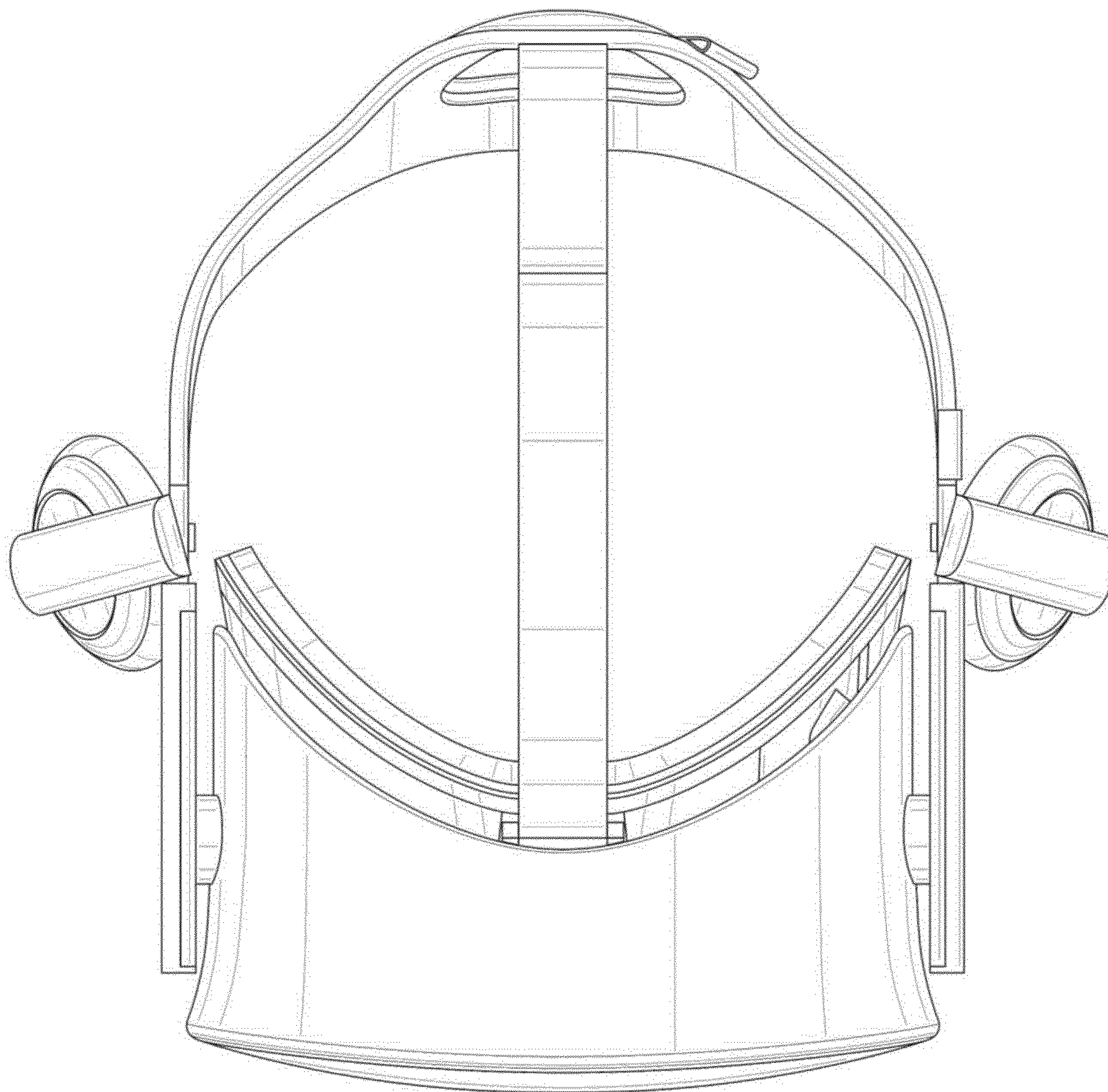


Fig. 6

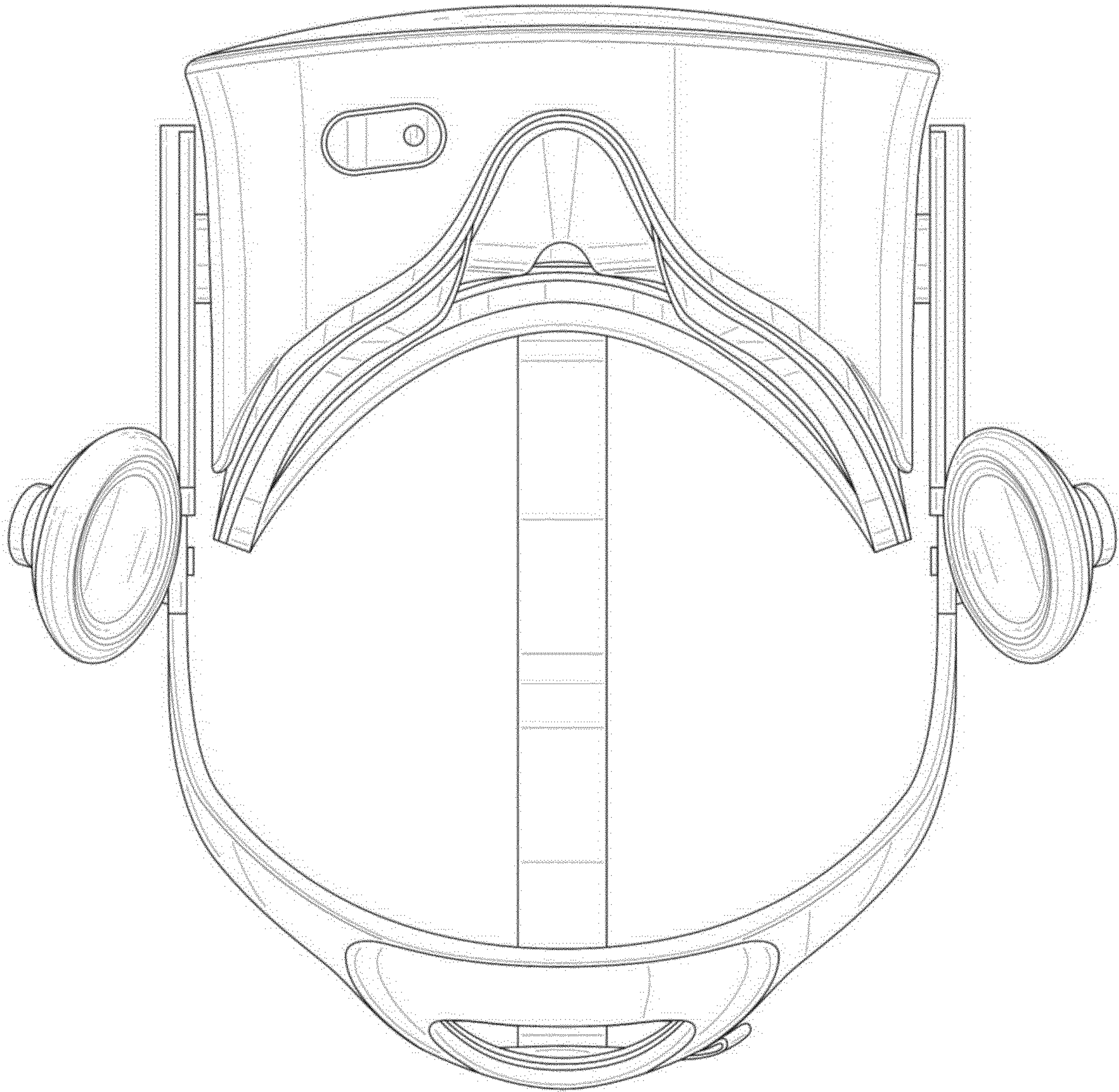


Fig. 7